



- (51) International Patent Classification:
B61H 1/00 (2006.01) *F16D 65/06* (2006.01)
- (21) International Application Number:
PCT/US2014/041658
- (22) International Filing Date:
10 June 2014 (10.06.2014)
- (25) Filing Language: English
- (26) Publication Language: English
- (30) Priority Data:
61/833,077 10 June 2013 (10.06.2013) US
- (71) Applicant: **WABTEC HOLDING CORP.** [US/US]; 1001 Air Brake Avenue, Wilmerding, Pennsylvania 15148 (US).
- (72) Inventor: **KOZIOL, Michael**; 6520 26th Place, Berwyn, Illinois 60402 (US).
- (74) Agents: **BYRNE, Richard, L.** et al.; The Webb Law Firm, One Gateway Center, 420 Ft. Duquesne Blvd., Suite 1200, Pittsburgh, Pennsylvania 15222 (US).
- (81) Designated States (unless otherwise indicated, for every kind of national protection available): AE, AG, AL, AM,

AO, AT, AU, AZ, BA, BB, BG, BH, BN, BR, BW, BY, BZ, CA, CH, CL, CN, CO, CR, CU, CZ, DE, DK, DM, DO, DZ, EC, EE, EG, ES, FI, GB, GD, GE, GH, GM, GT, HN, HR, HU, ID, IL, IN, IR, IS, JP, KE, KG, KN, KP, KR, KZ, LA, LC, LK, LR, LS, LT, LU, LY, MA, MD, ME, MG, MK, MN, MW, MX, MY, MZ, NA, NG, NI, NO, NZ, OM, PA, PE, PG, PH, PL, PT, QA, RO, RS, RU, RW, SA, SC, SD, SE, SG, SK, SL, SM, ST, SV, SY, TH, TJ, TM, TN, TR, TT, TZ, UA, UG, US, UZ, VC, VN, ZA, ZM, ZW.

(84) Designated States (unless otherwise indicated, for every kind of regional protection available): ARIPO (BW, GH, GM, KE, LR, LS, MW, MZ, NA, RW, SD, SL, SZ, TZ, UG, ZM, ZW), Eurasian (AM, AZ, BY, KG, KZ, RU, TJ, TM), European (AL, AT, BE, BG, CH, CY, CZ, DE, DK, EE, ES, FI, FR, GB, GR, HR, HU, IE, IS, IT, LT, LU, LV, MC, MK, MT, NL, NO, PL, PT, RO, RS, SE, SI, SK, SM, TR), OAPI (BF, BJ, CF, CG, CI, CM, GA, GN, GQ, GW, KM, ML, MR, NE, SN, TD, TG).

Published:

— with international search report (Art. 21(3))

(54) Title: CORRECTIVE DEVICE FOR UNEVEN BRAKE SHOE WEAR

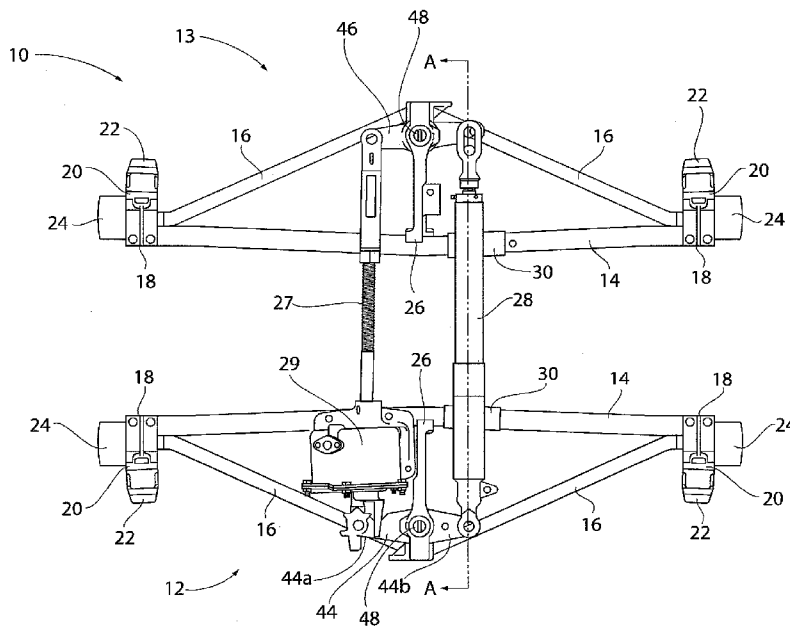


FIG. 1

(57) Abstract: A corrective device for correcting uneven brake shoe wear on a brake mechanism for a railway vehicle, wherein the railway vehicle includes a brake beam having a tension beam coupled to a compression beam, a brake head with brake shoes provided at each end of the brake beams, and a slack adjuster. The corrective device is configured to cooperate with at least one of the compression beam and the slack adjuster to minimize or prevent the compression beam and the tension beam from rotating relative to the wheels and side frames of the railway vehicle. A braking system including the corrective device and a method for correcting uneven brake shoe wear on a brake mechanism for a railway vehicle is also provided.

WO 2014/200974 A1

CORRECTIVE DEVICE FOR UNEVEN BRAKE SHOE WEAR

CROSS REFERENCE TO RELATED APPLICATIONS

[0001] This application is claims priority to United States Provisional Patent Application No. 61/833,077 entitled "Corrective Device for Uneven Brake Shoe Wear", filed June 10, 2013, which is hereby incorporated by reference in its entirety.

BACKGROUND OF THE INVENTION

Field of the Invention

[0002] The present disclosure is directed to a brake mechanism for a railway vehicle, and, further, to a device for correcting uneven brake shoe wear on the brakes of a railway vehicle.

Description of Related Art

[0003] Various brake mechanisms for railway vehicles are known in the art. In a truck-mounted brake mechanism, such as the TMX® or UBX® systems, owned by WABTEC Holding Corp., the Assignee of the present invention, two brake beams are provided per truck to provide the braking force to the two axles of the truck. The two brake beams are activated by at least one brake cylinder that is in fluid communication with a source of compressed air, such as an air reservoir mounted on the body of the railway vehicle.

[0004] In general, each brake beam includes a compression beam having its terminal ends coupled to the ends of a V-shaped tension beam. A brake head is provided at the opposing terminal ends of the compression beam and/or the V-shaped tension beam. Each brake head includes a brake shoe carrier adapted to receive a removable brake shoe. The brake mechanism is coupled to the truck of the railway vehicle at end portions of the brake heads. In operation, the brake beam having the compression beam and the V-shaped tension beam is suspended and contained within the railway truck bogie to allow movements with the truck.

[0005] During the braking operation, a non-uniform wear of the consumable material of the brake shoes may occur as the components of the brake mechanism wear toward their condemning limits. In such a scenario, the brake beams tend to rotate relative to side frames and the wheels, which forces an upper end of the brake shoes closer to the wheel relative to the lower end of the brake shoes. Such uneven contact of the brake shoes increases the wear rate of the upper end of the brake shoes relative to the lower end of the brake shoes. In certain situations, the uneven wear

leaves the shoe material at the upper end of the brake shoe at the condemnable limit, while the shoe material at the lower end of the brake shoe is still serviceable. In extreme cases, the material of the brake shoe at the upper end may become so worn as to cause the metal backing plate of the brake shoe to be exposed and contact the wheel, thereby causing damage to the brake head, the backing plate, and the wheel. Another common problem is that, as the components of the brake mechanism gradually wear out, the compression beam may come into contact with a slack adjuster. During operation, continued contact between the compression beam and the slack adjuster may cause wear on the compression beam and/or the slack adjuster.

SUMMARY OF THE INVENTION

[0006] In view of the disadvantages of the existing brake mechanisms for railway vehicles, particularly truck-mounted brake beams, there is a need for an improved brake beam. In particular, there is a need for an improved brake beam that includes a corrective device to prevent uneven brake shoe wear. There is an additional need for an improved brake beam that includes a corrective device for preventing misalignment of the brake beam components as they gradually wear out.

[0007] In accordance with one embodiment, a corrective device for correcting uneven brake shoe wear on a brake mechanism for a railway vehicle is provided. The corrective device can be used on a railway vehicle, including a brake beam having a tension beam coupled to a compression beam, a brake head with brake shoes provided at each end of the brake beams, and a slack adjuster. One example of a braking system for which the corrective device can be used is a truck mounted braking system. The corrective device is configured to cooperate with at least one of the compression beam and the slack adjuster to minimize or prevent the compression beam and the tension beam from rotating relative to the side frames and wheels of the railway vehicle. The corrective device can be configured to cooperate with the compression beam to minimize or prevent movement of the compression beam toward the slack adjuster. According to one design, the corrective device can be positioned between the compression beam and the slack adjuster.

[0008] The corrective device includes at least one elongated body having an upper end separated from a lower end by a pair of sidewalls, at least one recess extending from the lower end toward the upper end of the at least one elongated body, and at least one securing element adapted for securing the at least one elongated body on the compression beam of the brake beam. According to one embodiment, the recess can be sized to fit on at least a portion of the compression beam of the brake beam. The at least one securing element can extend from at least one of the pair of

sidewalls and can be angled inwards toward the at least one recess and deflect in an outward direction with respect to the at least one recess upon placement of the corrective device about the compression beam. According to one design, the at least one securing element can extend from one sidewall toward an opposing sidewall over at least a portion of a width of the recess.

[0009] The corrective device can be formed from a flexible material, such as rubber or any known elastomeric material. Alternatively, the corrective device can be formed from a rigid, self-lubricating material configured to deflect an amount sufficient enough to secure the corrective device to the compression beam.

[0010] In accordance with another embodiment, a braking system for a railway vehicle comprises a brake beam, including a tension beam coupled to a compression beam, a brake head with brake shoes provided at each end of the brake beam, a slack adjuster associated with the brake beam, and a corrective device configured to cooperate with at least one of the compression beam and the slack adjuster to minimize or prevent the compression beam and the tension beam from rotating relative to the side frames and wheels of the railway vehicle. According to one design, the braking system can be configured to be mounted to a truck of a railway vehicle and can include a pair of brake beams, wherein each of the brake beams include a tension beam coupled to a compression beam and the slack adjuster interconnects the pair of brake beams. The braking system can include a pair of corrective devices such that a corrective device cooperates with the compression beam of each of the pair of brake beams. The corrective device is configured to cooperate with the compression beam to minimize or prevent movement of the compression beam toward the slack adjuster.

[0011] The corrective device comprises at least one elongated body having an upper end separated from a lower end by a pair of sidewalls, at least one recess extending from the lower end toward the upper end of the at least one elongated body, and at least one securing element adapted for securing the at least one elongated body on the compression beam of the brake beam. The at least one securing element can extend from at least one of the pair of sidewalls and the securing element can be angled inwards toward the at least one recess and can deflect in an outward direction with respect to the at least one recess upon placement of the corrective device about the compression beam.

[0012] In accordance with another embodiment, a method for correcting uneven brake shoe wear on a brake mechanism for a railway vehicle, wherein the railway vehicle includes a brake

beam having a tension beam coupled to a compression beam, a brake head with brake shoes provided at each end of the brake beams, and a slack adjuster, and wherein the method includes providing a corrective device and associating the corrective device with at least one of the compression beam and the slack adjuster to minimize or prevent the compression beam and the tension beam from rotating relative to the side frames and wheels of the railway vehicle. The corrective device can comprise at least one elongated body having an upper end separated from a lower end by a pair of sidewalls, at least one recess extending from the lower end toward the upper end of the at least one elongated body, and at least one securing element adapted for securing the at least one elongated body on the compression beam of the brake beam. The method includes positioning the corrective device about the compression beam at a location between the compression beam and the slack adjuster. According to one design, the at least one securing element extends from at least one of the pair of sidewalls and is angled inwards toward the at least one recess and deflects in an outward direction with respect to the at least one recess upon placement of the corrective device about the compression beam.

[0013] In accordance with one embodiment, a truck-mounted brake mechanism for a railway vehicle may have a brake beam with a tension beam coupled to a compression beam, and a brake head with brake shoes provided at each end of the brake beam. A device for correcting uneven brake shoe wear on the truck-mounted brake mechanism may include at least one elongated body having an upper end separated from a lower end by a pair of sidewalls. At least one recess may extend from the lower end toward the upper end of the at least one elongated body. The recess may be adapted to fit on at least a portion of the compression beam of the brake beam. The recess may include at least one securing element adapted for securing the at least one elongated body on the compression beam of the brake beam. The device may be adapted for aligning components of the truck-mounted brake mechanism to prevent uneven brake shoe wear.

[0014] These and other features and characteristics of the device for correcting uneven brake shoe wear on truck-mounted brakes of a railway vehicle, as well as the methods of operation and functions of the related elements of structures and the combination of parts and economies of manufacture, will become more apparent upon consideration of the following description and the appended claims with reference to the accompanying drawings, all of which form a part of this specification, wherein like reference numerals designate corresponding parts in the various figures. It is to be expressly understood, however, that the drawings are for the purpose of illustration and

description only, and are not intended as a definition of the limits of the invention. As used in the specification and the claims, the singular form of “a”, “an”, and “the” include plural referents unless the context clearly dictates otherwise.

BRIEF DESCRIPTION OF THE DRAWINGS

[0015] FIG. 1 is a top view of one brake beam of a truck-mounted brake mechanism in accordance with an embodiment of the present disclosure;

[0016] FIG. 1A is a side view of the truck-mounted brake mechanism of FIG. 1 installed within a truck in accordance with an embodiment of the present disclosure;

[0017] FIG. 2 is a front view of the brake beam shown in FIG. 1 in accordance with an embodiment of the present disclosure;

[0018] FIG. 3 is a cross-sectional view of the brake beam shown in FIG. 1 taken along line A-A of FIG. 1 in accordance with an embodiment of the present disclosure;

[0019] FIG. 4 is a detailed view of detailed portion “4” in FIG. 3 in accordance with an embodiment of the present disclosure;

[0020] FIG. 5 is a detailed view of detailed portion “5” in FIG. 2 in accordance with an embodiment of the present disclosure;

[0021] FIG. 6 is a perspective view of a corrective device for use with the brake beam illustrated in FIG. 1 in accordance with an embodiment of the present disclosure; and

[0022] FIG. 7 is a side view of the corrective device shown in FIG. 6 in accordance with an embodiment of the present disclosure.

DESCRIPTION OF THE PREFERRED EMBODIMENTS

[0023] For purposes of the description hereinafter, the terms “upper”, “lower”, “right”, “left”, “vertical”, “horizontal”, “top”, “bottom”, “lateral”, “longitudinal”, and derivatives thereof, shall relate to the invention as it is oriented in the drawing figures. However, it is to be understood that the invention may assume alternative variations and step sequences, except where expressly specified to the contrary. It is also to be understood that the specific devices and processes illustrated in the attached drawings, and described in the following specification, are simply exemplary embodiments of the invention. Hence, specific dimensions and other physical characteristics related to the embodiments disclosed herein are not to be considered as limiting.

[0024] Referring to the drawings in which like reference characters refer to like parts throughout the several views thereof, the present disclosure is generally directed to a device for correcting uneven brake shoe wear on truck-mounted brakes of a railway vehicle.

[0025] Referring initially to FIGS. 1, 1A and 2, a truck-mounted brake mechanism 10 is shown. The brake mechanism 10, as described herein, is intended for connection to a truck of a railway vehicle (not shown), as will be readily apparent to those skilled in the railway vehicle art. Examples of truck mounted braking systems include the TMX® or UBX® designs, owned by WABTEC Holding Corp., the assignee of the present invention. The brake mechanism 10 is adapted for use in railway vehicles adapted for passenger and/or cargo transit. However, this use is intended to be non-limiting and the brake mechanism 10 has applications in railway vehicles generally.

[0026] With continuing reference to FIGS. 1-2, the brake mechanism 10 includes a pair of brake beams, generally indicated as 12 and 13, which are substantially identical. Each of the brake beams 12, 13 include a compression beam 14, a generally V-shaped tension beam 16 and a strut 26. The terminal ends of the compression beam 14 are coupled to the corresponding terminal ends of the tension beam 16. At a location substantially midway between their opposite ends, the compression beam 14 and the tension beam 16 of the respective brake beams 12 are spaced apart sufficiently to allow connection of the strut 26 therebetween.

[0027] The compression beam 14 has a generally L-shaped cross section, as best shown in FIG. 3. A brake head 18 is provided at the opposing terminal ends of the compression beam 14 and/or the tension beam 16. Each brake head 18 includes a brake shoe carrier 20 adapted to receive a removable brake shoe 22. The brake mechanism 10 is coupled to the truck of the railway vehicle (not shown) at end portions 24 of the brake heads 18. In operation, the compression beam 14 and the tension beam 16 hang from the truck.

[0028] With continuing reference to FIG. 1 and with reference to Fig. 1A, the brake mechanism 10 further includes a pair of force transmitting levers 44, 46 pivotally connected by pins 48 to the strut member 26 of the respective brake beam 12, 13. The force transmitting members 44, 46 and interconnected by a rod 27 and a slack adjuster 28. As shown in Fig. 1, the rod 27 also connects a brake cylinder 29 to one end 44a of the force transmitting lever 44 for transferring the braking force exerted by the brake cylinder to the brake beam 12. The automatic slack adjuster 28 is attached to the opposing end 44b of the force transmitting lever 44 to automatically extend and

move the brake heads **18** closer to the wheels of the railway vehicle in order to compensate for wear of the brake shoes **22**.

[0029] As the components of the brake mechanism **10** wear toward their condemning limits, the compression beam **14** and the tension beam **16** tend to move relative to the wheels **60** and side frames **62** of the railway vehicle. This causes a misalignment of the compression beam **14** and the tension beam **16** relative to the side frames **62** and the wheels **60** and results in uneven contact between an upper portion **22a** of the brake shoe **22** and the lower portion **22b** of the brake shoe **22**. In certain situations, the compression beam **14** may come into contact with the slack adjuster **28**, which may result in wear on the compression beam **14** and/or the slack adjuster **28**.

[0030] With reference to FIGS. 2-3 and FIGS. 4-5, the brake mechanism **10** further includes a device **30** shown with portions **4** and **5** in FIGS. 3 and 2, respectively, for correcting uneven brake shoe wear (hereinafter referred to as “corrective device **30**”). The corrective device **30** is adapted to compensate for any misalignment of the components of the brake mechanism **10** that may occur as the components reach their condemning limits. As best shown in FIG. 4, the corrective device **30** is adapted for connecting to at least a portion of the compression beam **14**. In one embodiment, the corrective device **30** is adapted to wrap around at least a portion of the L-shaped profile of the compression beam **14**. As shown in FIGS. 2-5, the corrective device **30** is desirably connected to the compression beam **14** proximate to the slack adjuster **28** such that the corrective device **30** is interposed between the compression beam **14** and the slack adjuster **28**.

[0031] With reference to FIGS. 6-7, the corrective device **30** has a block-shaped structure with an elongated body **32**. The elongated body **32** has an upper end **34** separated from a lower end **36** by a pair of sidewalls **38a** and **38b**. At least one recess **40** extends from the lower end **36** toward the upper end **34**. The recess **40** is generally adapted to fit on at least a portion of the compression beam **14** (shown in FIGS. 1-5). The recess **40** includes at least one securing element **42** adapted for securing the elongated body **32** on the compression beam **14**. The securing element **42** extends from one sidewall **38a** toward the opposing sidewall **38b** over at least a portion of the width of the recess **40**. The securing element **42** is desirably provided at a lower end of one sidewall **38a** such that the width of the recess **40** in the region of the securing element **42** is substantially equal or smaller than the thickness of the sidewall of the compression beam **14**. The securing element **42** may be angled inwards such that at least a portion of the securing element **42** is deflected outward as the corrective device **30** is connected to the compression beam **14**. In one embodiment, the

corrective device **30** is made from a flexible material, such as rubber or other elastomeric material. In other embodiments, the corrective device **30** is made from a rigid, self-lubricating material that is configured to deflect enough to secure it to the compression beam **14**.

[0032] The corrective device **30** is adapted to compensate for any misalignment of the components of the brake mechanism **10** that may occur as the components reach their condemning limits. In particular, the corrective device **30** is adapted to stop the compression beam **14** and the tension beam **16** from rotating relative to the brake heads **18**. Due to the position of the corrective device **30** between the compression beam **14** and the slack adjuster **28**, movement of the compression beam **14** toward the slack adjuster **28** is prevented by the corrective device **30**. The thickness of the corrective device **30** is dimensioned such that in case the compression beam **14** moves toward the slack adjuster **28**, the movement of the compression beam **14** relative to the brake heads **18** and the wheels will be minimized, thereby reducing the potential for uneven brake shoe wear. Although described herein with reference to an exemplary embodiment of the brake mechanism **10**, the corrective device **30** may be implemented with various other truck-mounted brake mechanisms not expressly disclosed herein.

[0033] While various embodiments of the device for correcting uneven brake shoe wear on truck-mounted brakes of a railway vehicle were provided in the foregoing description, those skilled in the art may make modifications and alterations to these embodiments without departing from the scope and spirit of the invention. For example, it is to be understood that this disclosure contemplates that, to the extent possible, one or more features of any embodiment can be combined with one or more features of any other embodiment. Accordingly, the foregoing description is intended to be illustrative rather than restrictive. The invention described hereinabove is defined by the appended claims and all changes to the invention that fall within the meaning and the range of equivalency of the claims are to be embraced within their scope.

THE INVENTION CLAIMED IS:

1. A corrective device for correcting uneven brake shoe wear on a brake mechanism for a railway vehicle, the railway vehicle including a brake beam having a tension beam coupled to a compression beam, a brake head with brake shoes provided at each end of the brake beam for cooperating with wheels of the railway vehicle, and a slack adjuster, and wherein the corrective device is configured to cooperate with at least one of the compression beam and the slack adjuster to minimize or prevent the compression beam and the tension beam from rotating relative to the wheels of the railway vehicle.

2. The corrective device of claim 1, wherein the corrective device is configured to cooperate with the compression beam to minimize or prevent movement of the compression beam toward the slack adjuster.

3. The corrective device of claim 2, wherein the corrective device is positioned between the compression beam and the slack adjuster.

4. The corrective device of claim 1 comprising:
at least one elongated body having an upper end separated from a lower end by a pair of sidewalls;
at least one recess extending from the lower end toward the upper end of the at least one elongated body; and
at least one securing element adapted for securing the at least one elongated body on the compression beam of the brake beam.

5. The corrective device of claim 4, wherein the recess is sized to fit on at least a portion of the compression beam of the brake beam.

6. The corrective device of claim 4, wherein the at least one securing element extends from at least one of said pair of sidewalls, and wherein the securing element is angled inwards toward the at least one recess and deflects in an outward direction with respect to the at least one recess upon placement of the corrective device about the compression beam.

7. The corrective device of claim 6, wherein the at least one securing element extends from one sidewall toward an opposing sidewall over at least a portion of a width of the recess.

8. The corrective device of claim 1, wherein the corrective device is formed from a flexible material.

9. The corrective device of claim 1, wherein the corrective device is formed from a rigid, self-lubricating material configured to deflect an amount sufficient enough to secure the corrective device to the compression beam.

10. The corrective device of claim 1, wherein the device is configured for use with a truck-mounted braking system.

11. A braking system for a railway vehicle comprising:
a brake beam including a tension beam coupled to a compression beam;
a brake head with brake shoes provided at each end of the brake beam, the brake shoes configured for cooperating with wheels of the railway vehicle;
a slack adjuster associated with the brake beam; and
a corrective device configured to cooperate with at least one of the compression beam and the slack adjuster to minimize or prevent the compression beam and the tension beam from rotating relative to the wheels of the railway vehicle.

12. The braking system of claim 11, including a pair of brake beams, each of said brake beams including a tension beam coupled to a compression beam, and wherein the slack adjuster interconnects the pair of brake beams.

13. The braking system of claim 12, including a pair of corrective devices, and wherein a corrective device cooperates with the compression beam of each of the pair of brake beams.

14. The braking system of claim 11, wherein the corrective device, is configured to cooperate with the compression beam to minimize or prevent movement of the compression beam toward the slack adjuster.

15. The braking system of claim 11, wherein the corrective device comprises:
at least one elongated body having an upper end separated from a lower end by a pair of sidewalls;

at least one recess extending from the lower end toward the upper end of the at least one elongated body; and

at least one securing element adapted for securing the at least one elongated body on the compression beam of the brake beam.

16. The braking system of claim 15, wherein the at least one securing element extends from at least one of said pair of sidewalls, and wherein the securing element is angled inwards toward the at least one recess and deflects in an outward direction with respect to the at least one recess upon placement of the corrective device about the compression beam.

17. The braking system of claim 11, wherein the braking system is configured to be mounted to a truck of a railway vehicle.

18. A method for correcting uneven brake shoe wear on a brake mechanism for a railway vehicle, the railway vehicle including a brake beam having a tension beam coupled to a compression beam, a brake head with brake shoes provided at each end of the brake beams, wherein the brake shoes are configured to cooperate with wheels on the railway vehicle during a braking operation, and a slack adjuster, and wherein the method includes providing a corrective device and associating the corrective device with at least one of the compression beam and the slack adjuster to minimize or prevent the compression beam and the tension beam from rotating relative to the wheels of the railway vehicle.

19. The method of claim 18, wherein the corrective device comprises at least one elongated body having an upper end separated from a lower end by a pair of sidewalls;
at least one recess extending from the lower end toward the upper end of the at least one elongated body; and
at least one securing element adapted for securing the at least one elongated body on the compression beam of the brake beam, and
wherein the method includes positioning the corrective device about the compression beam at a location between the compression beam and the slack adjuster.

20. The method of claim 19, wherein the at least one securing element extends from at least one of said pair of sidewalls, and wherein the securing element is angled inwards toward the at least one recess and deflects in an outward direction with respect to the at least one recess upon placement of the corrective device about the compression beam.

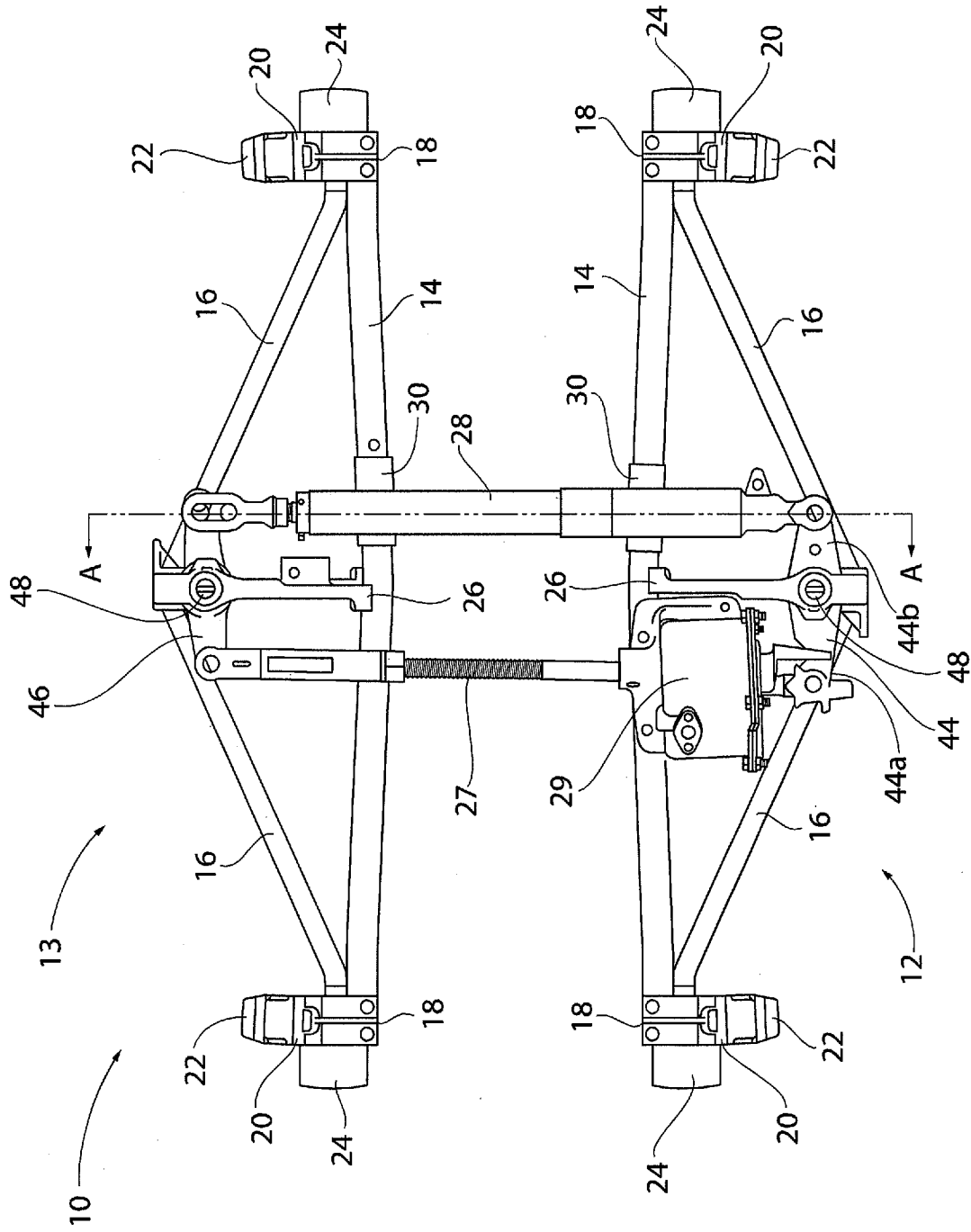


FIG. 1

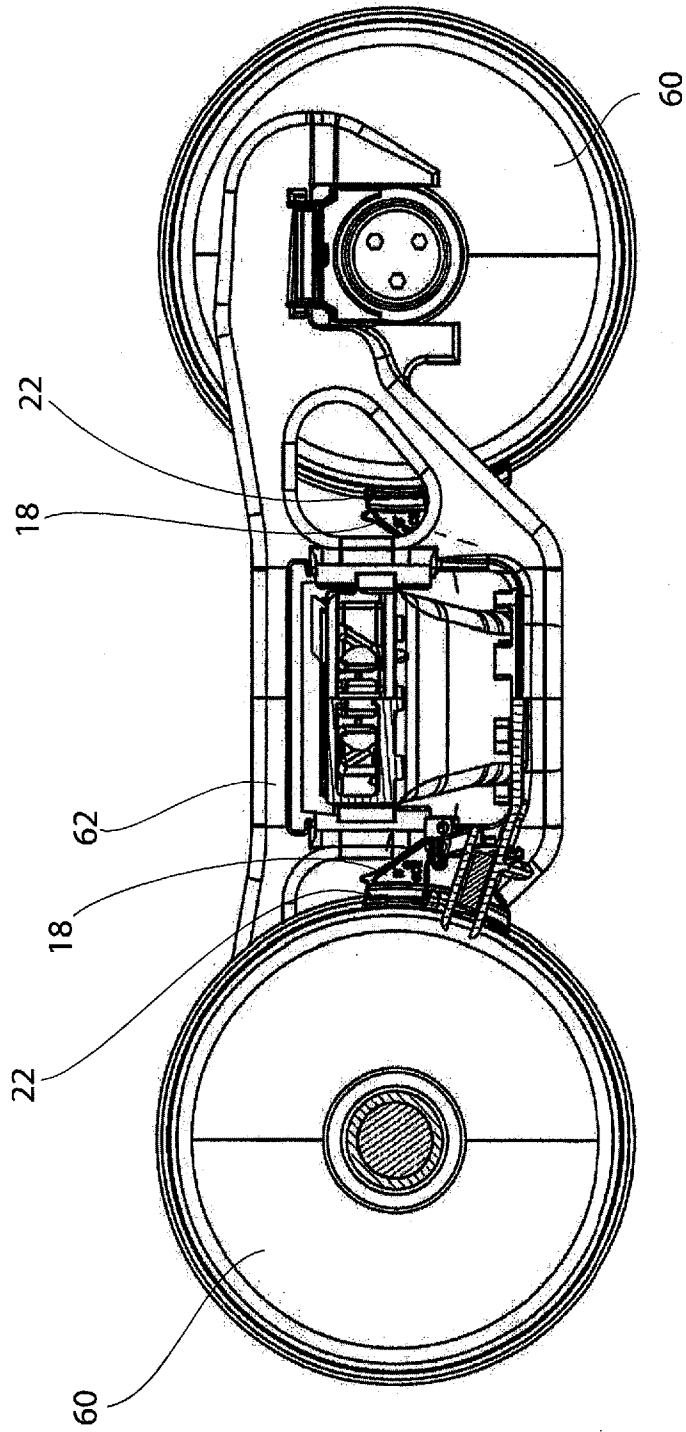


FIG. 1A

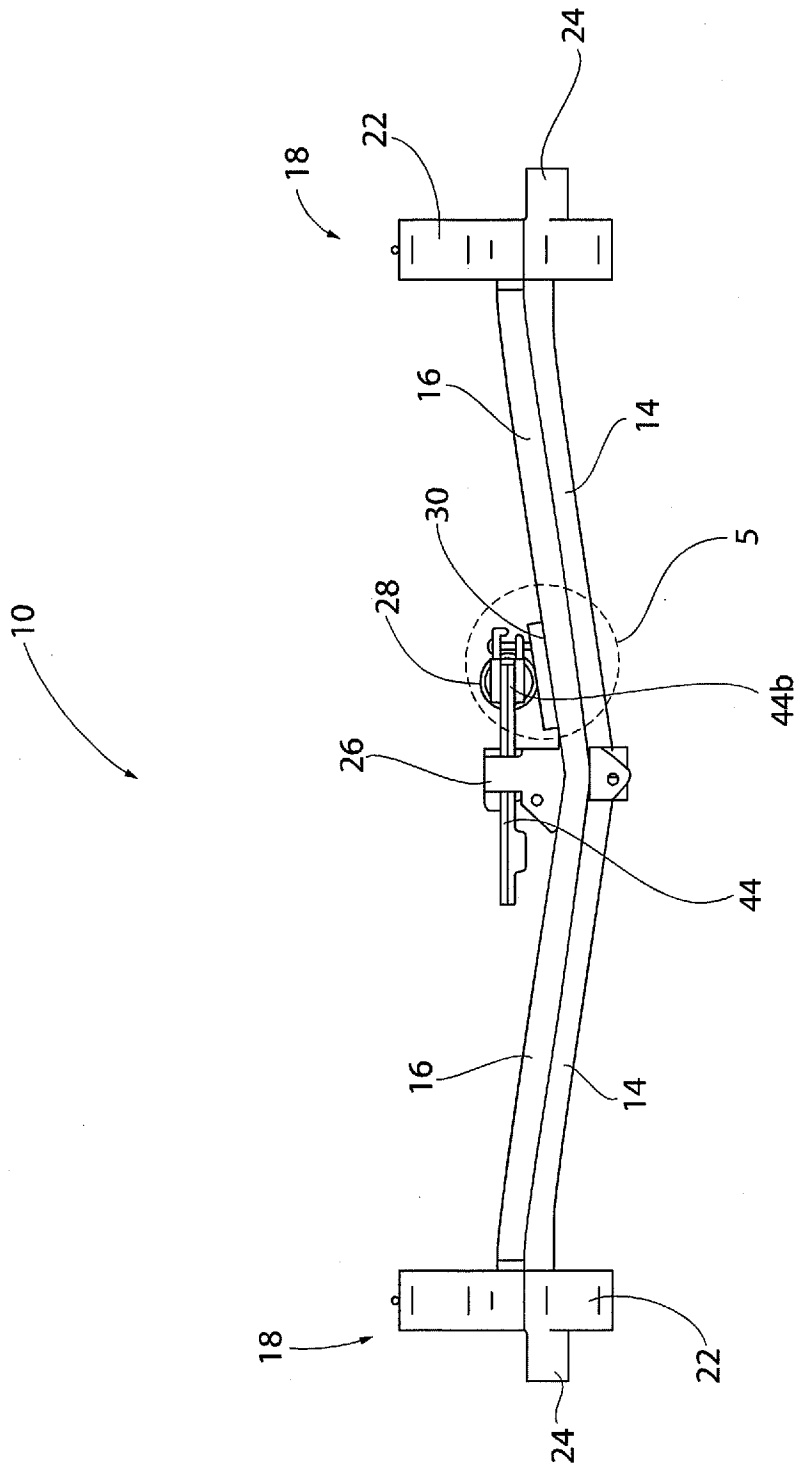


FIG. 2

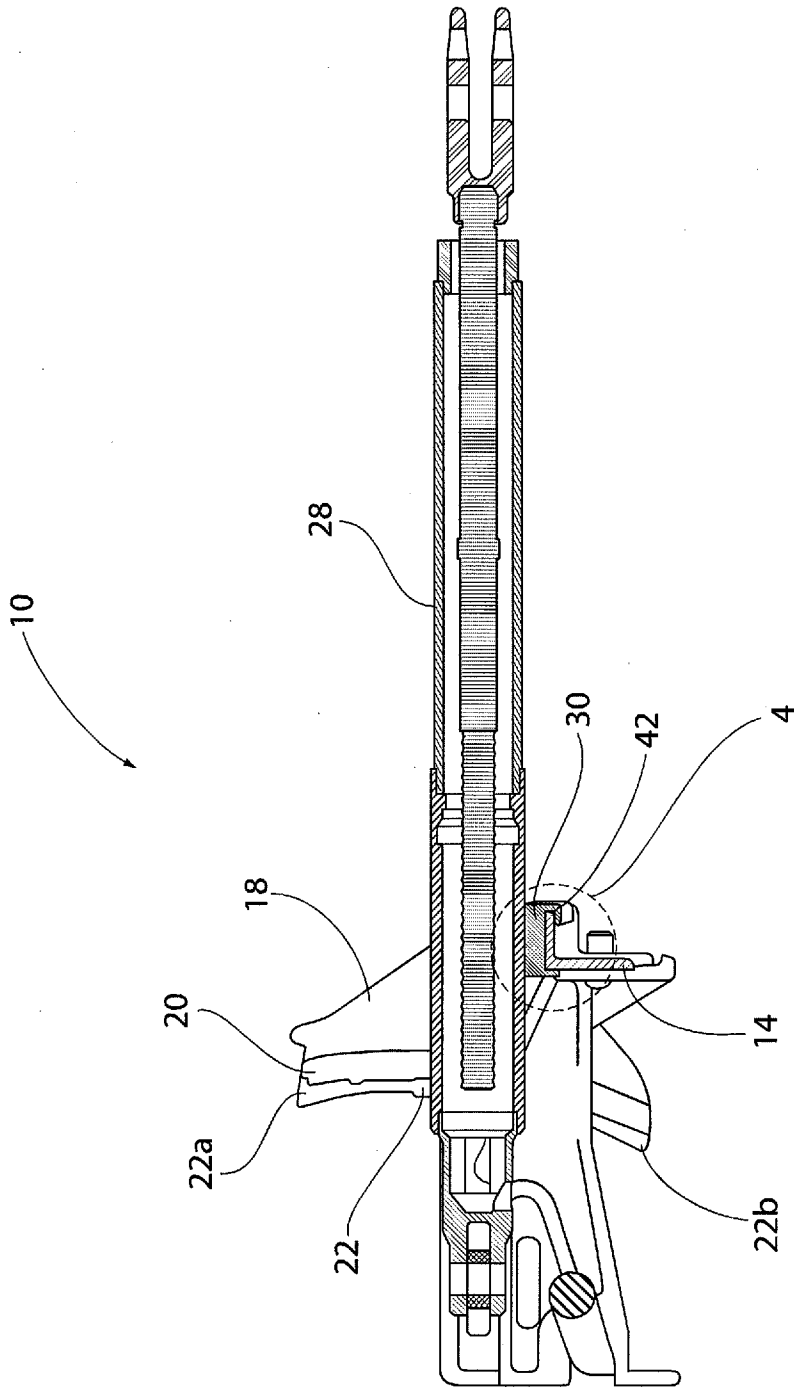


FIG. 3

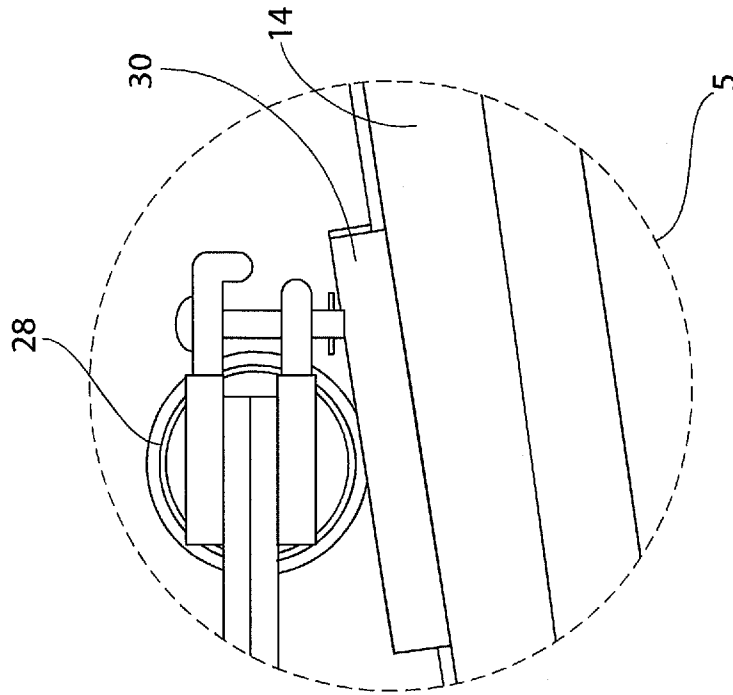


FIG. 5

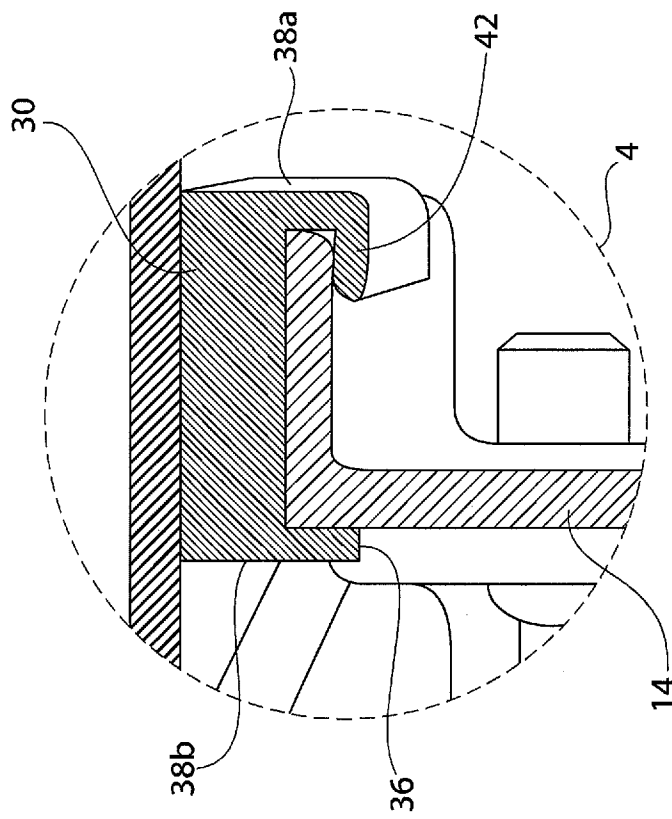


FIG. 4

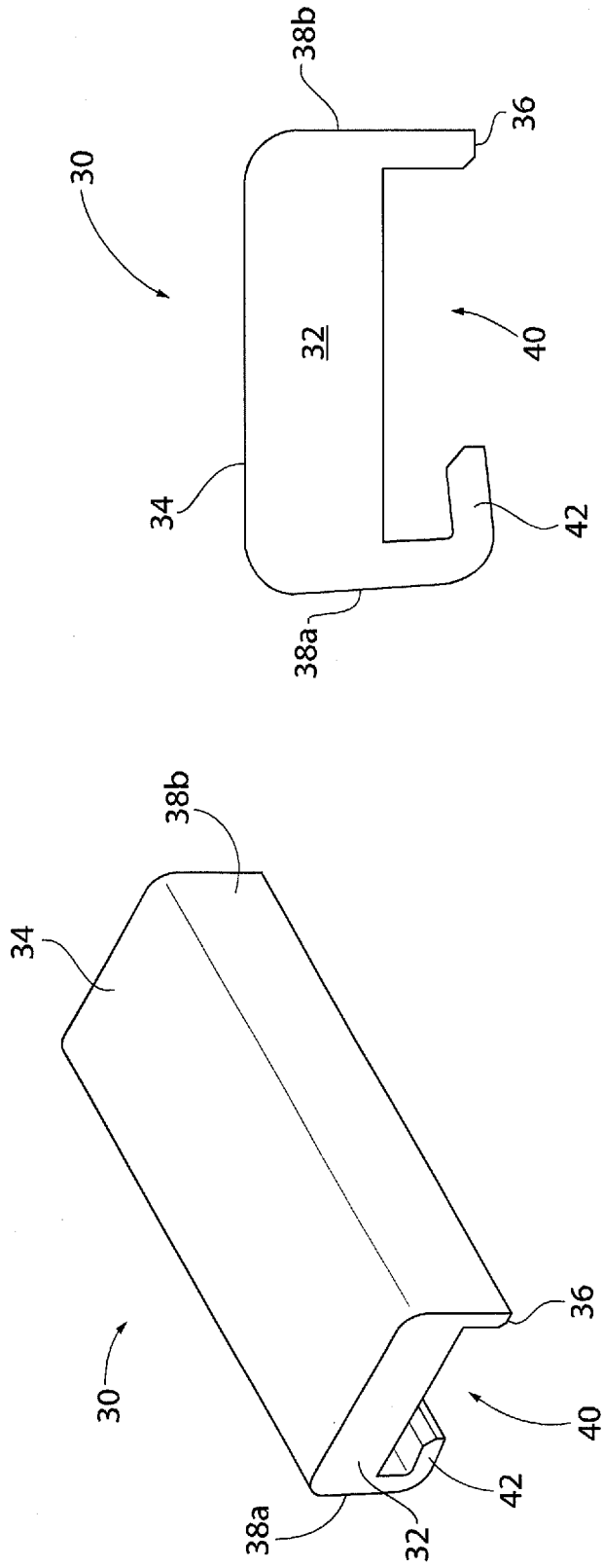


FIG. 7

FIG. 6

A. CLASSIFICATION OF SUBJECT MATTER**B61H 1/00(2006.01)i, F16D 65/06(2006.01)i**

According to International Patent Classification (IPC) or to both national classification and IPC

B. FIELDS SEARCHEDMinimum documentation searched (classification system followed by classification symbols)
B61H 1/00; B61H 13/36; B60T 7/12; F16D 65/18; F16D 65/32; B61H 13/24; F16D 65/06Documentation searched other than minimum documentation to the extent that such documents are included in the fields searched
Korean utility models and applications for utility models
Japanese utility models and applications for utility modelsElectronic data base consulted during the international search (name of data base and, where practicable, search terms used)
eKOMPASS(KIPO internal) & Keywords: brake, beam, compression, tension, shoe, adjuster, and rotate**C. DOCUMENTS CONSIDERED TO BE RELEVANT**

Category*	Citation of document, with indication, where appropriate, of the relevant passages	Relevant to claim No.
A	US 2011-0147140 A1 (RING, MICHAEL E.) 23 June 2011 See paragraphs [0022]-[0024],[0032] and figure 1.	1-20
A	US 4613016 A (HART et al.) 23 September 1986 See column 2, lines 38-59, column 4, line 46 and figure 1.	1-20
A	JP 2002-173027 A (WESTINGHOUSE AIR BRAKE TECHNOLOGIES CORP.) 18 June 2002 See paragraphs [0012]-[0016] and figure 1.	1-20
A	US 5339930 A (SICH et al.) 23 August 1994 See column 2, lines 35-63 and figure 1.	1-20
A	US 6155389 A (SANDMANN, MICHAEL R.) 05 December 2000 See column 3, lines 20-64, column 4, lines 1-18 and figures 1-2,4.	1-20

 Further documents are listed in the continuation of Box C. See patent family annex.

* Special categories of cited documents:

"A" document defining the general state of the art which is not considered to be of particular relevance

"E" earlier application or patent but published on or after the international filing date

"L" document which may throw doubts on priority claim(s) or which is cited to establish the publication date of another citation or other special reason (as specified)

"O" document referring to an oral disclosure, use, exhibition or other means

"P" document published prior to the international filing date but later than the priority date claimed

"T" later document published after the international filing date or priority date and not in conflict with the application but cited to understand the principle or theory underlying the invention

"X" document of particular relevance; the claimed invention cannot be considered novel or cannot be considered to involve an inventive step when the document is taken alone

"Y" document of particular relevance; the claimed invention cannot be considered to involve an inventive step when the document is combined with one or more other such documents, such combination being obvious to a person skilled in the art

"&" document member of the same patent family

Date of the actual completion of the international search

26 September 2014 (26.09.2014)

Date of mailing of the international search report

01 October 2014 (01.10.2014)

Name and mailing address of the ISA/KR

International Application Division
Korean Intellectual Property Office
189 Cheongsu-ro, Seo-gu, Daejeon Metropolitan City, 302-701,
Republic of Korea

Facsimile No. +82-42-472-7140

Authorized officer

CHOI, Hyun Goo

Telephone No. +82-42-481-8288



INTERNATIONAL SEARCH REPORT

Information on patent family members

International application No.

PCT/US2014/041658

Patent document cited in search report	Publication date	Patent family member(s)	Publication date
US 2011-0147140 A1	23/06/2011	AU 2006-269514 A1	18/01/2007
		CA 2615736 A1	18/01/2007
		CA 2615736 C	03/12/2013
		CN 101218141 A0	09/07/2008
		CN 101218141 B	06/06/2012
		KR 10-2008-0045121 A	22/05/2008
		US 2007-0023241 A1	01/02/2007
		US 7931130 B2	26/04/2011
		WO 2007-008512 A1	18/01/2007
US 4613016 A	23/09/1986	CN 1005763 B	15/11/1989
		CN 86105242 A	04/02/1987
JP 2002-173027 A	18/06/2002	AU 2001-43787 A1	18/04/2002
		AU 2001-43787 B2	24/02/2005
		AU 4378701 A	18/04/2002
		AU 780034 B2	24/02/2005
		BR 0102929 A	04/06/2002
		CA 2346615 A1	16/04/2002
		CA 2346615 C	15/02/2005
		CN 1348890 A0	15/05/2002
		EP 1197414 A1	17/04/2002
		MX PA01010316 A	04/06/2002
		US 6364068 B1	02/04/2002
		ZA 200103721 A	08/11/2001
US 5339930 A	23/08/1994	JP 02690674 B2	10/12/1997
		JP 06-135332 A	17/05/1994
US 6155389 A	05/12/2000	AU 1997-37587 B2	07/06/2001
		CA 2214182 C	13/01/2004
		CA 2345044 A1	30/03/2000
		CA 2345044 C	30/03/2004
		US 05810124 A	22/09/1998
		US 06155388 A	05/12/2000
		US 06155389 A	05/12/2000
		WO 00-17029 A1	30/03/2000
		WO 00-26075 A1	11/05/2000