



(12) **United States Design Patent**
Thomas

(10) **Patent No.:** **US D792,399 S**
(45) **Date of Patent:** **** Jul. 18, 2017**

(54) **HEAD MOUNTED DISPLAY WITH PHONE RECEPTACLE**

(71) Applicant: **Oculus VR, LLC**, Menlo Park, CA (US)

(72) Inventor: **Matt Lee Thomas**, Yorba Linda, CA (US)

(73) Assignee: **Oculus VR, LLC**, Menlo Park, CA (US)

(**) Term: **15 Years**

(21) Appl. No.: **29/547,765**

(22) Filed: **Dec. 7, 2015**

(51) **LOC (10) Cl.** **14-02**

(52) **U.S. Cl.**
USPC **D14/372**

(58) **Field of Classification Search**
USPC D14/372, 496, 432, 371, 125, 126, 129, 14/299; D16/300-342; 351/158, 153, 351/144; 345/7-9, 905; 455/344; 348/115, 53, 121, 739
CPC G02B 27/017; G02B 27/0158; G02B 27/0161; G02B 27/0181; G02B 27/0185; G02B 27/0189
See application file for complete search history.

(56) **References Cited**

U.S. PATENT DOCUMENTS

5,281,957	A	1/1994	Schoolman	
8,957,835	B2	2/2015	Hoellwarth et al.	
8,970,960	B2	3/2015	Yu	
D741,327	S *	10/2015	Reznik	D14/372
D749,580	S *	2/2016	Kim	D14/372
D752,680	S *	3/2016	Kim	D14/372
D753,111	S *	4/2016	Fei	D14/372
D753,112	S *	4/2016	Fei	D14/372
D759,654	S *	6/2016	Sullivan	D14/372
D764,466	S *	8/2016	Kim	D14/372

D771,625	S *	11/2016	Sullivan	D14/372
D781,290	S *	3/2017	Kim	D14/372
D785,619	S *	5/2017	Su	D14/372
2005/0231599	A1	10/2005	Yamasaki et al.	
2010/0079356	A1	4/2010	Hoellwarth	
2014/0152531	A1	6/2014	Murray et al.	
2015/0234189	A1	8/2015	Lyons et al.	

(Continued)

FOREIGN PATENT DOCUMENTS

CN 202077756 U 12/2011

OTHER PUBLICATIONS

First Examination Report in Israel Patent Application No. 58707, mailing date Nov. 15, 2016, 2 pages.

(Continued)

Primary Examiner — Austin Murphy

(74) *Attorney, Agent, or Firm* — Perkins Coie LLP

(57) **CLAIM**

The ornamental design for a head mounted display with phone receptacle, as shown and described.

DESCRIPTION

FIG. 1 is a front isometric view of a head mounted display with phone receptacle showing my new design in a first configuration.

FIG. 2 is a front elevation view thereof.

FIG. 3 is a rear elevation view thereof.

FIG. 4 is a left side elevation view thereof.

FIG. 5 is a right side elevation view thereof.

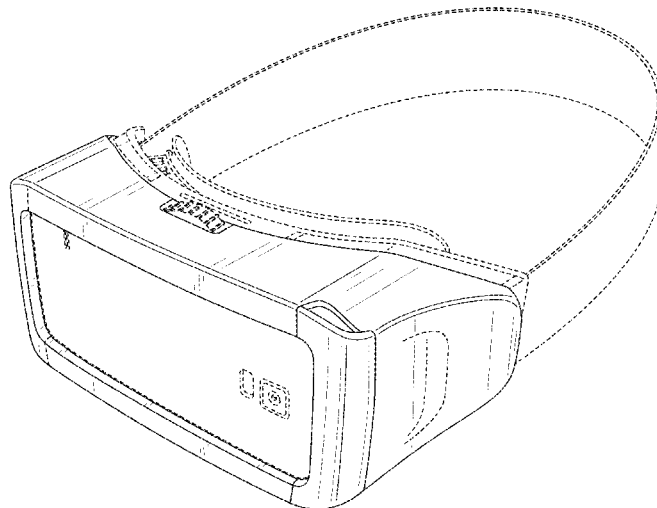
FIG. 6 is a top plan view thereof.

FIG. 7 is a bottom plan view thereof; and,

FIG. 8 is a front isometric view thereof shown in an alternate configuration.

Any broken lines in the Figures are for illustrative purposes only and form no part of the claimed design.

1 Claim, 8 Drawing Sheets



(56)

References Cited

U.S. PATENT DOCUMENTS

2015/0234192 A1 8/2015 Lyons et al.
2016/0357324 A1 12/2016 Smith et al.

OTHER PUBLICATIONS

Chinese Design Gazette, No. 15-32, (Aug. 12, 2015), CN303329350S, (JPO Publicly Known Design No. HH27005592).
Examiner's Report in Canadian Patent Application No. 168802, mailing date Sep. 27, 2016, 4 pages.
First Examination Report in Indian Patent Application No. 284106, mailing date Oct. 3, 2016, 2 pages.
International Search Report in Patent Application No. PCT/US2016/035918, mailing date Sep. 19, 2016, 14 pages.
Notice of Allowance in Japanese Patent Application No. 2016-12144, mailing date Sep. 30, 2016, 2 pages.
U.S. Appl. No. 14/961,832 by Thomas, M., et al., filed Dec. 7, 2015. Yodobashi Camera Co., Ltd., once posted on website (JPO Publicly Known Design No. HJ27020936).
Non-Final Office Action in U.S. Appl. No. 14/961,832, mailing date Feb. 27, 2017 by Thomas, M., et al., filed Dec. 7, 2015.

* cited by examiner

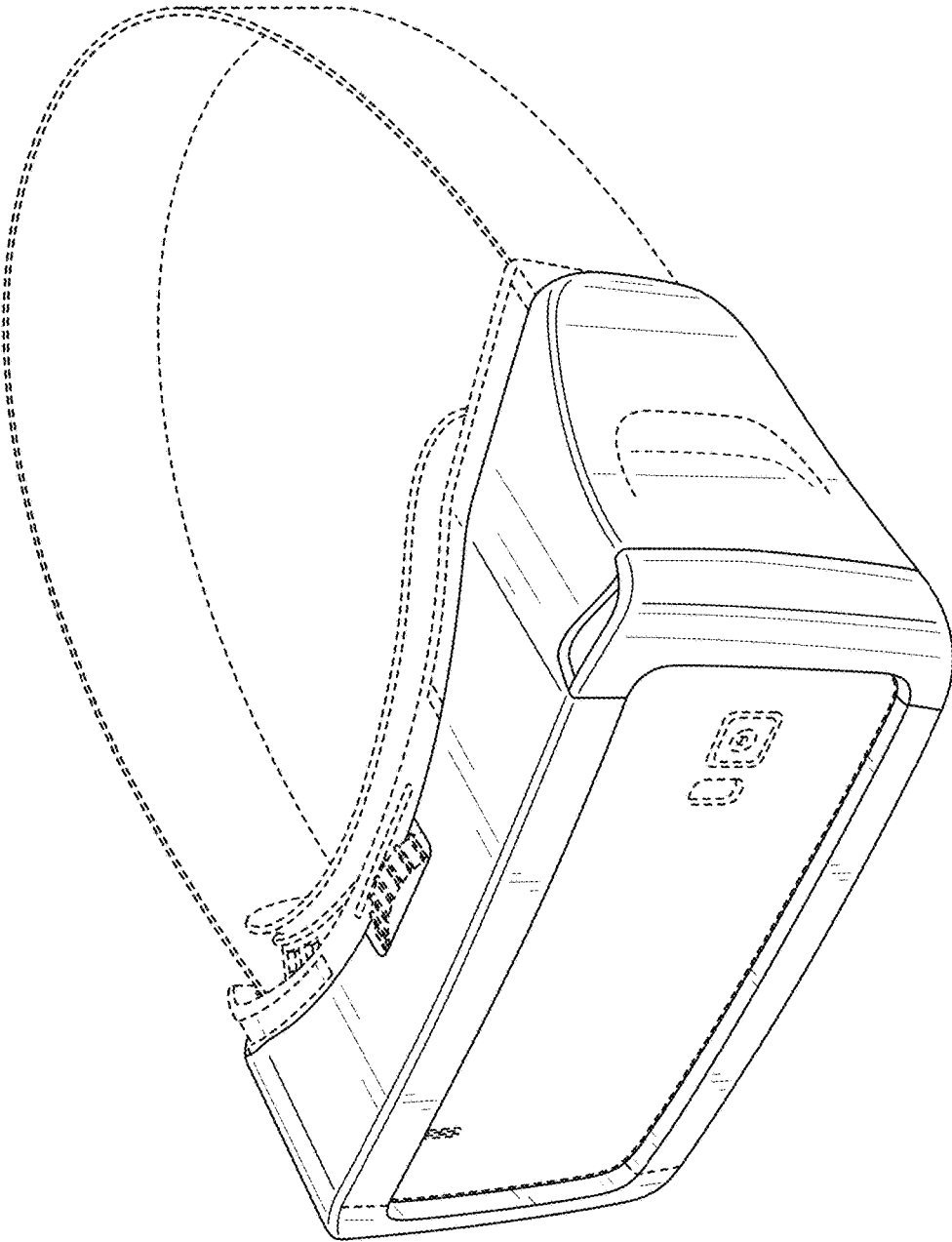


Fig. 1

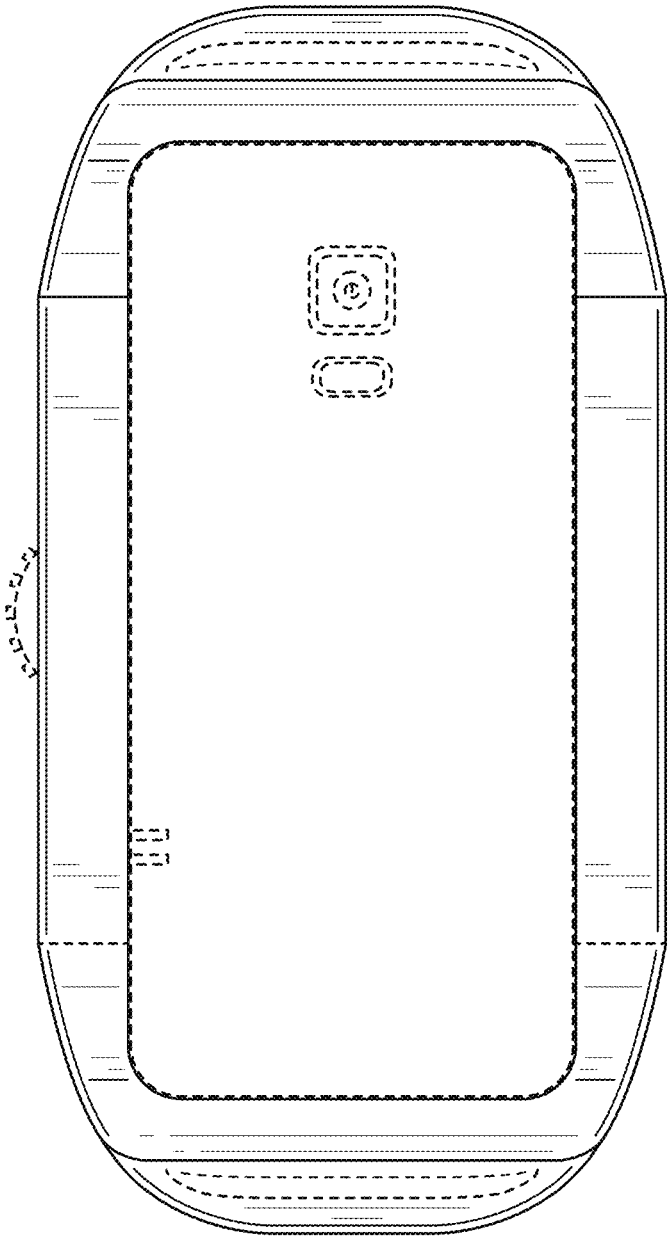


Fig. 2

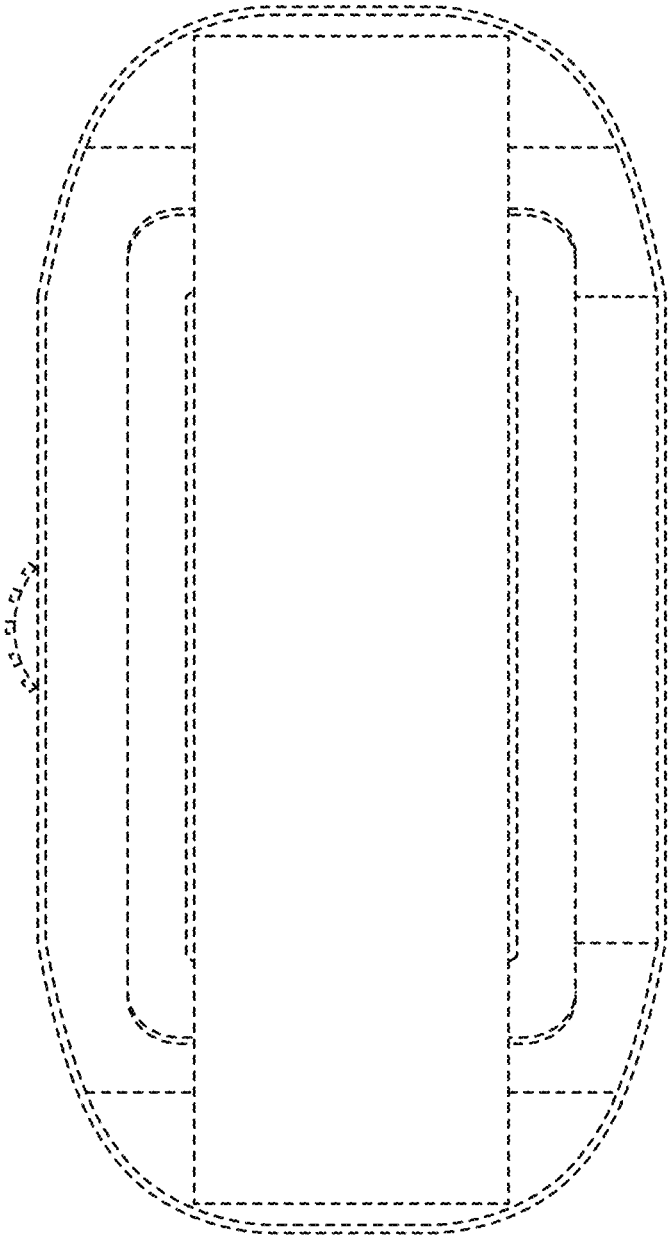


Fig. 3

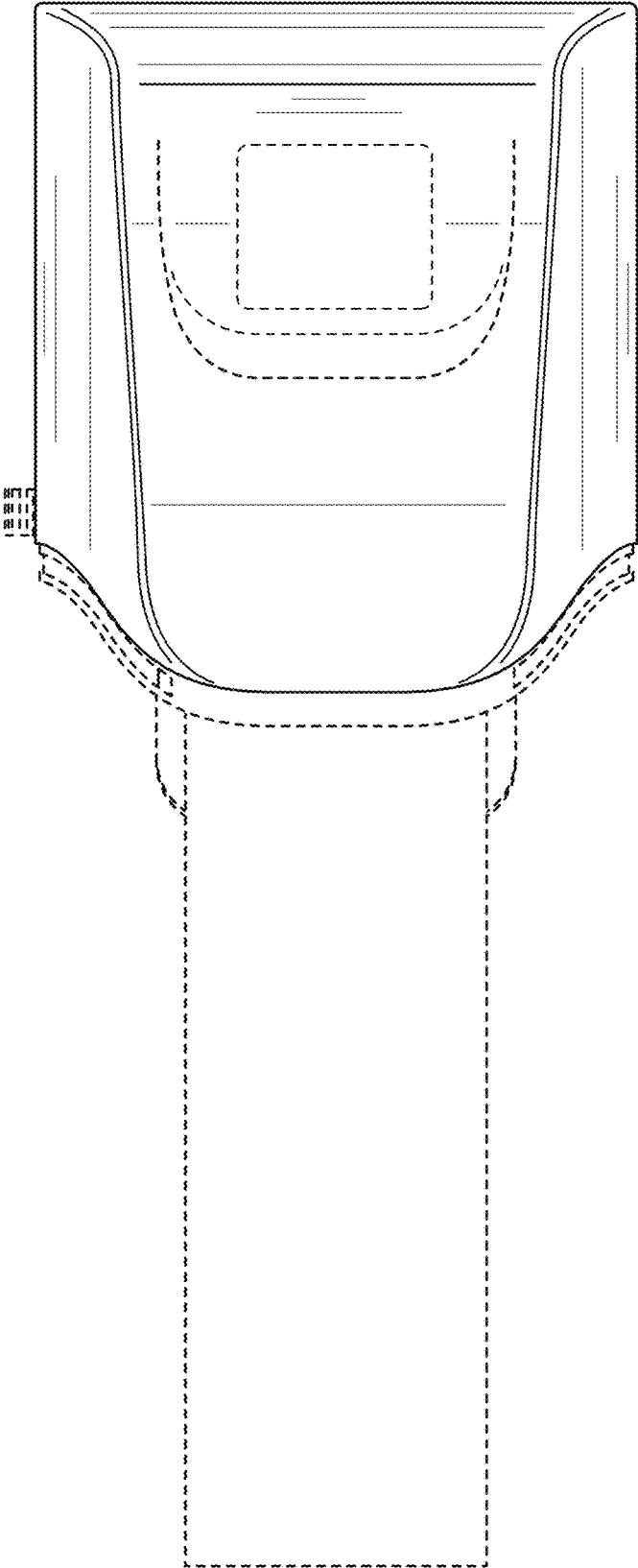


Fig. 4

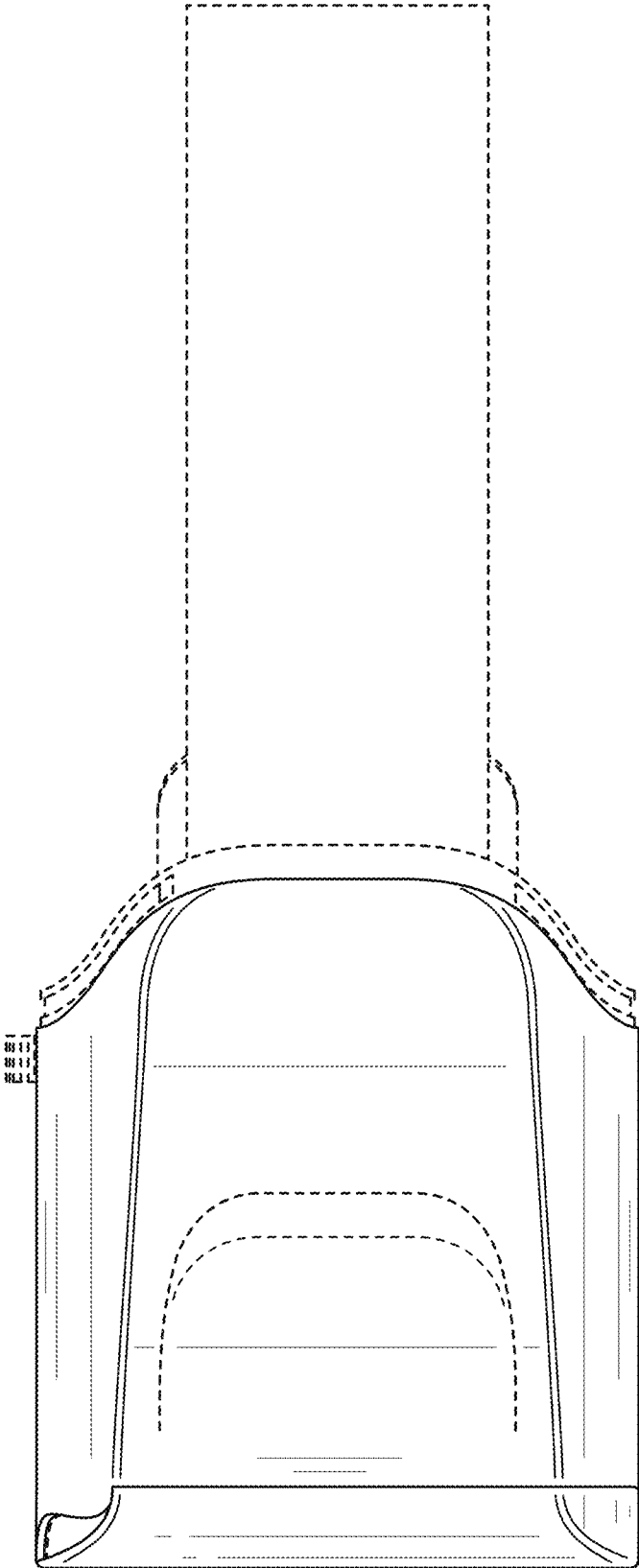


Fig. 5

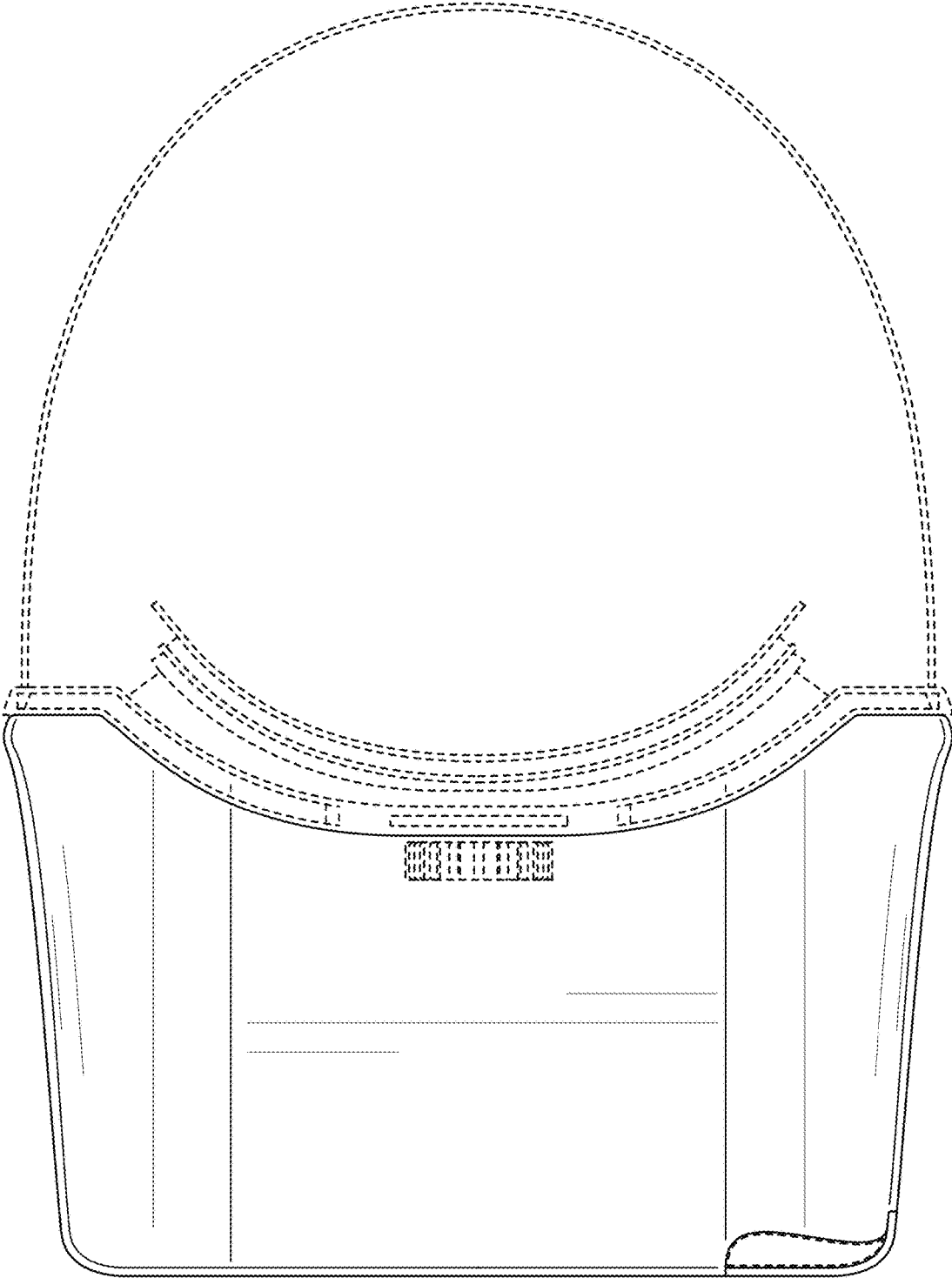


Fig. 6

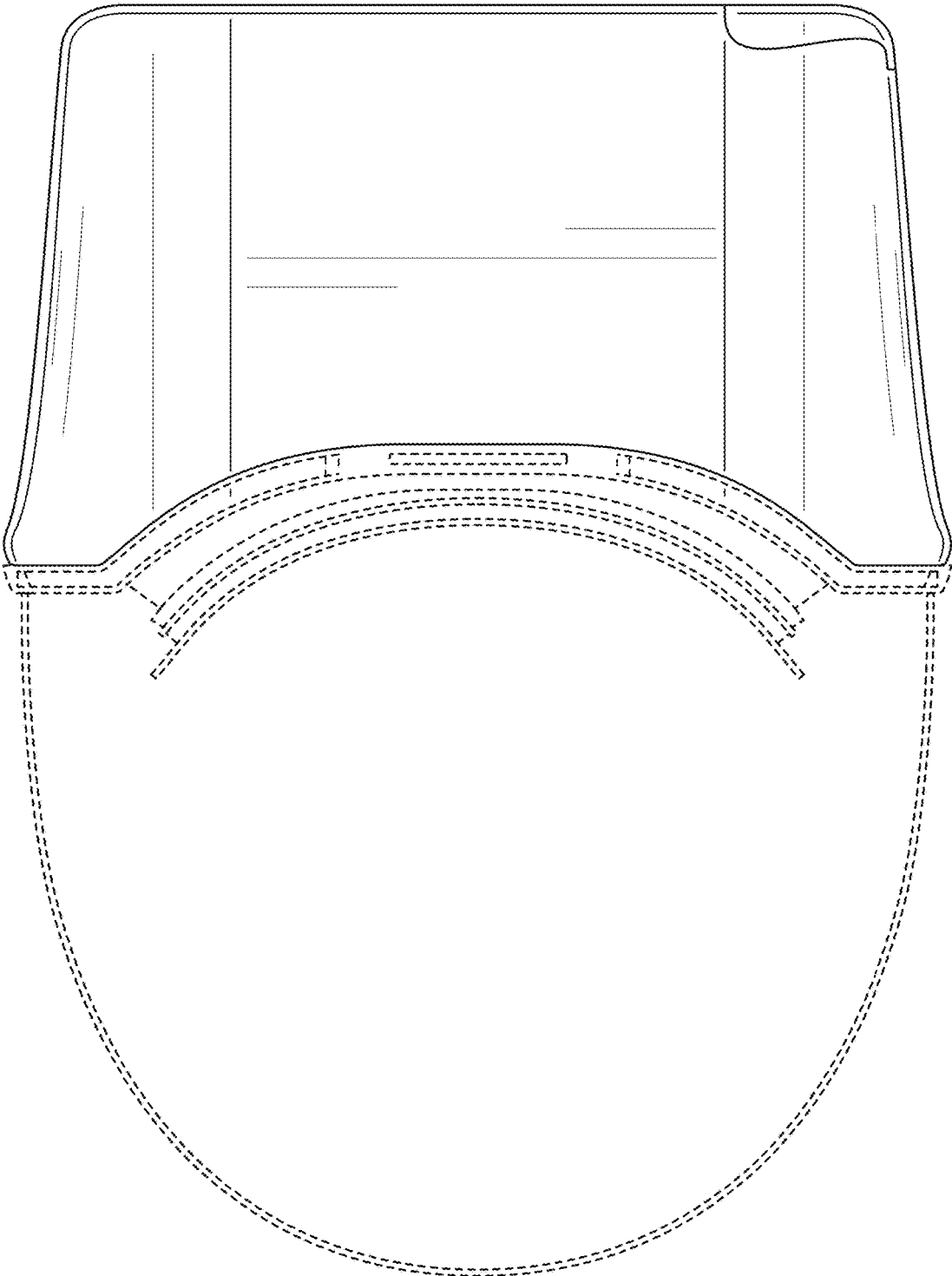


Fig. 7

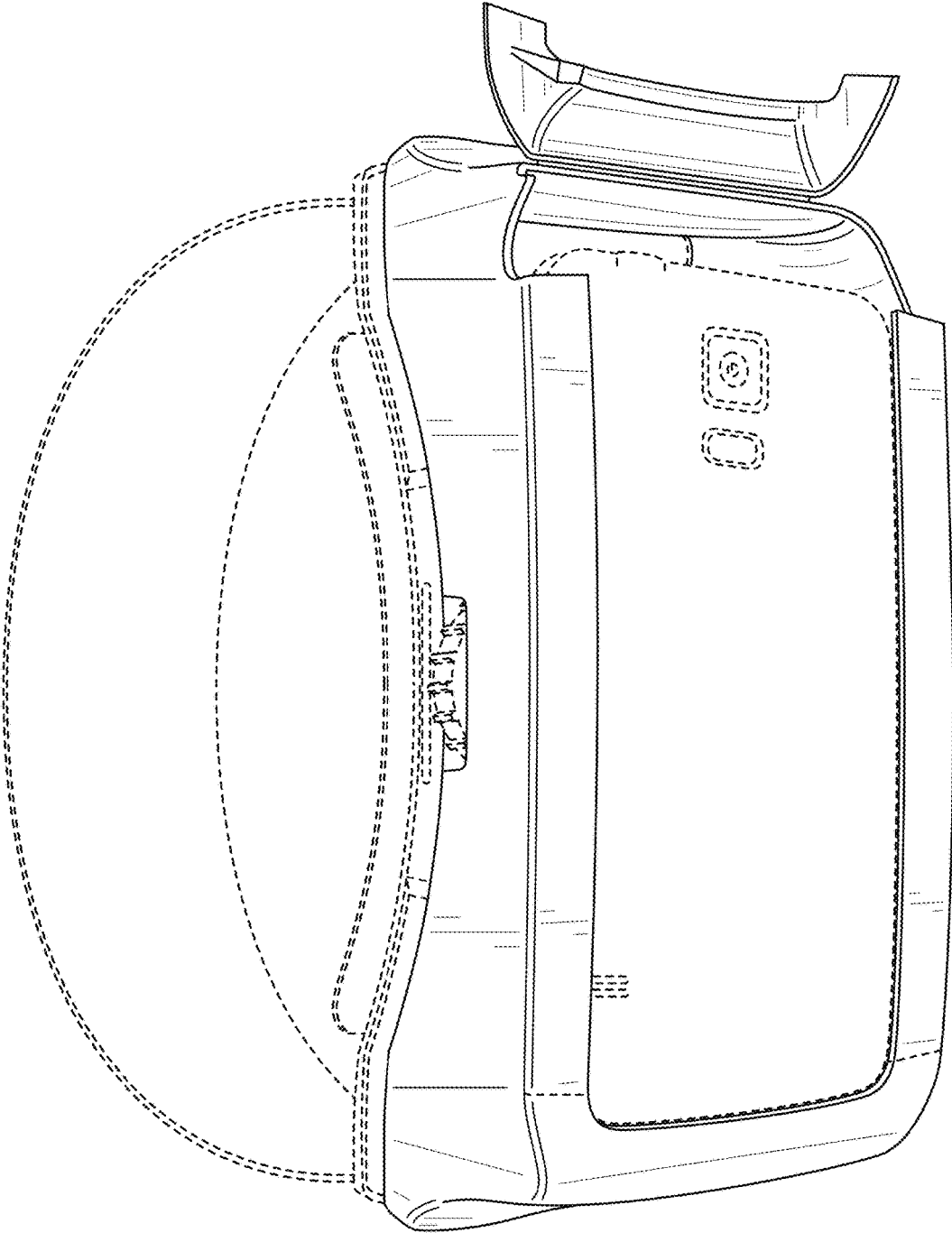


Fig. 8