



US00D722656S

(12) **United States Design Patent**  
Nishizawa et al.

(10) **Patent No.:** US D722,656 S

(45) **Date of Patent:** \*\* Feb. 17, 2015

(54) **LOCK-SHAPED TOY**

(71) Applicant: **Bandai Co., Ltd.**, Tokyo (JP)

(72) Inventors: **Kiyoto Nishizawa**, Tokyo (JP); **Sojiro Tanaka**, Tokyo (JP); **Akira Onodera**, Tokyo (JP)

(73) Assignee: **Bandai Co., Ltd.**, Tokyo (JP)

(\*\*) Term: **14 Years**

(21) Appl. No.: **29/482,862**

(22) Filed: **Feb. 21, 2014**

(51) **LOC (10) Cl.** ..... **21-01**

(52) **U.S. Cl.**  
USPC ..... **D21/483**

(58) **Field of Classification Search**  
USPC ..... D21/483, 532; D8/330, 333, 334, 335,  
D8/343; D3/207, 208, 210, 211; 70/20, 21,  
70/29, 31, 35, 38 A–38 C, 45–47  
See application file for complete search history.

(56) **References Cited**

**U.S. PATENT DOCUMENTS**

D262,390 S	*	12/1981	Pippus	.....	D21/483
D287,607 S	*	1/1987	Maruyama	.....	D8/334
D370,618 S	*	6/1996	Taylor	.....	D8/334
D450,232 S	*	11/2001	Taylor et al.	.....	D8/335
D594,731 S	*	6/2009	Plato	.....	D8/334
D629,280 S	*	12/2010	Plato	.....	D8/334

D630,260 S	*	1/2011	Cole et al.	.....	D21/483
D637,062 S	*	5/2011	Plato	.....	D8/334
D658,969 S	*	5/2012	Cooper	.....	D8/334
D685,250 S	*	7/2013	Stevens et al.	.....	D8/334

\* cited by examiner

*Primary Examiner* — Cynthia M Chin

(74) *Attorney, Agent, or Firm* — Rabin & Berdo, P.C.

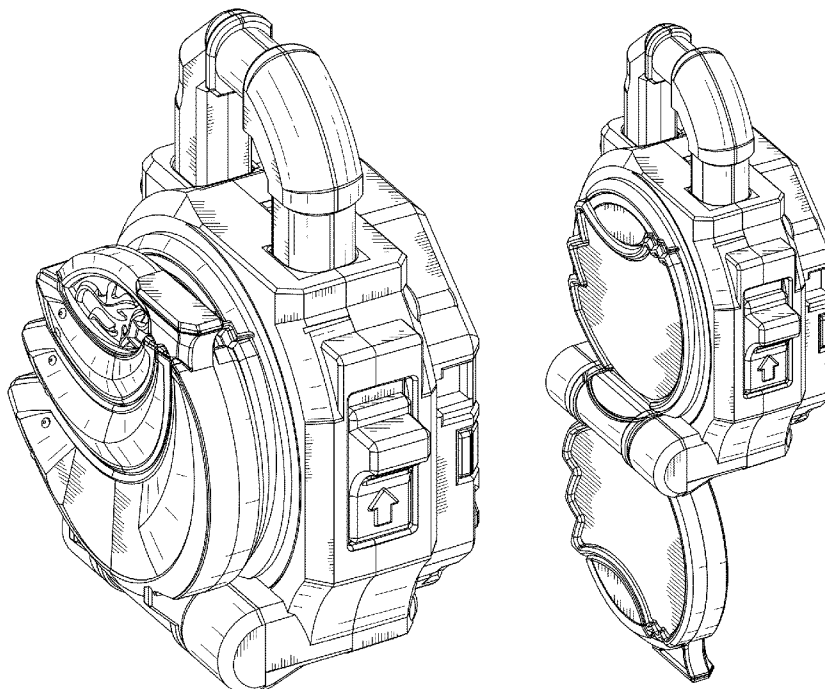
(57) **CLAIM**

The ornamental design for a lock-shaped toy, as shown and described.

**DESCRIPTION**

FIG. 1 is a perspective view a lock-shaped toy;  
 FIG. 2 is another perspective view thereof;  
 FIG. 3 is a front view thereof;  
 FIG. 4 is a rear view thereof;  
 FIG. 5 is a top view thereof;  
 FIG. 6 is a bottom view thereof;  
 FIG. 7 is a left side view thereof;  
 FIG. 8 is a right side view thereof;  
 FIG. 9 is a perspective view of the lock-shaped toy in an opened state;  
 FIG. 10 is a front view of the lock-shaped toy in an opened state; and,  
 FIG. 11 is a front view of the lock-shaped toy with the bolt part moved upward.  
 The broken lines represent portions of the article that form no part of the claim.

**1 Claim, 6 Drawing Sheets**



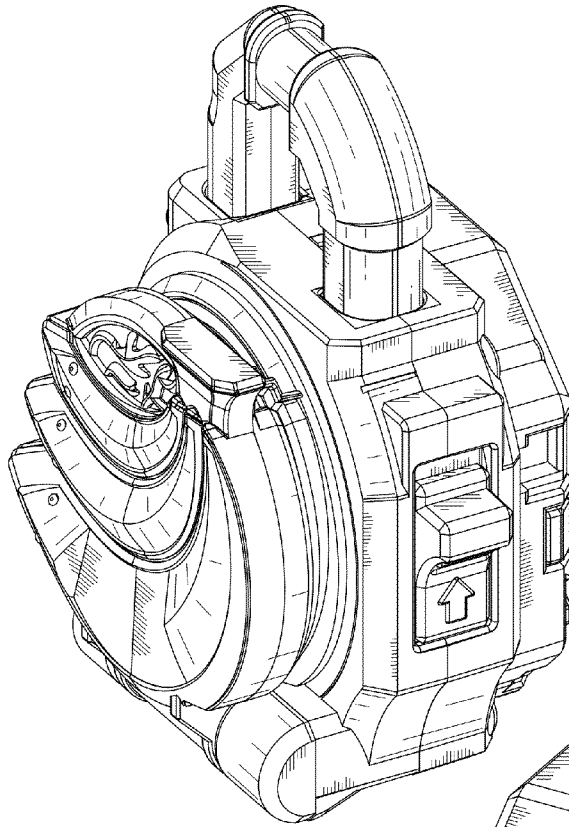


FIG. 1

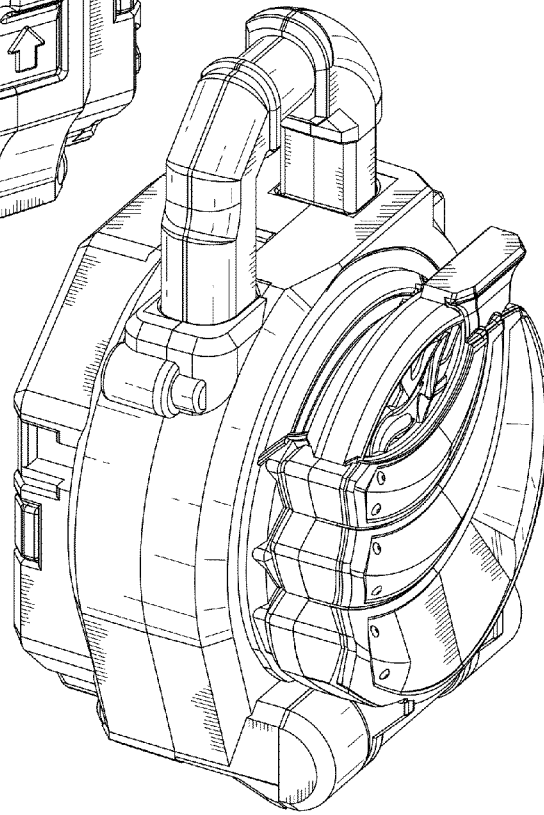


FIG. 2

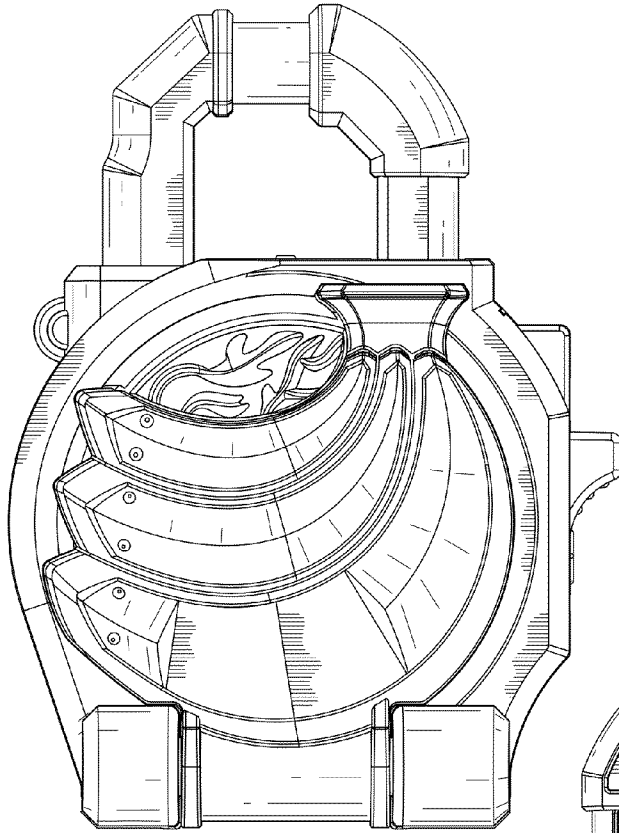


FIG. 3

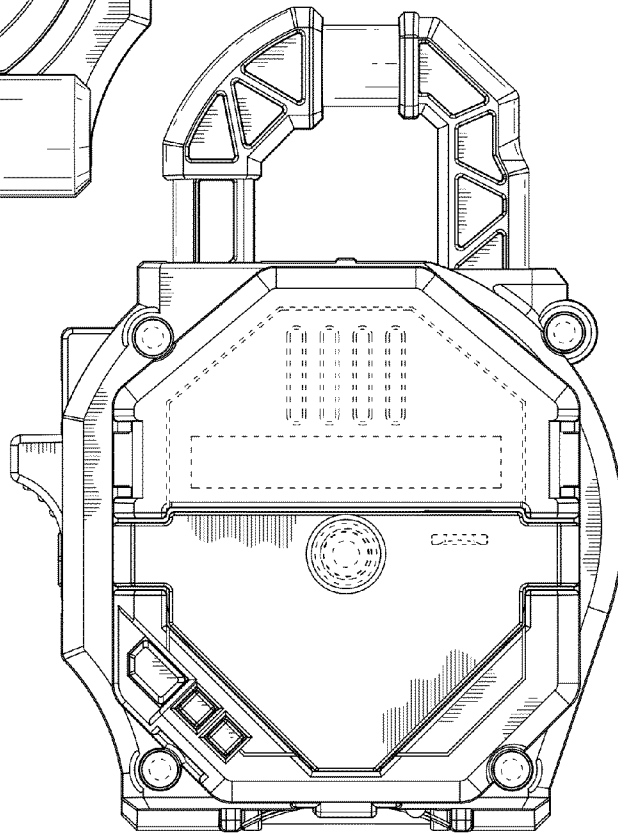


FIG. 4

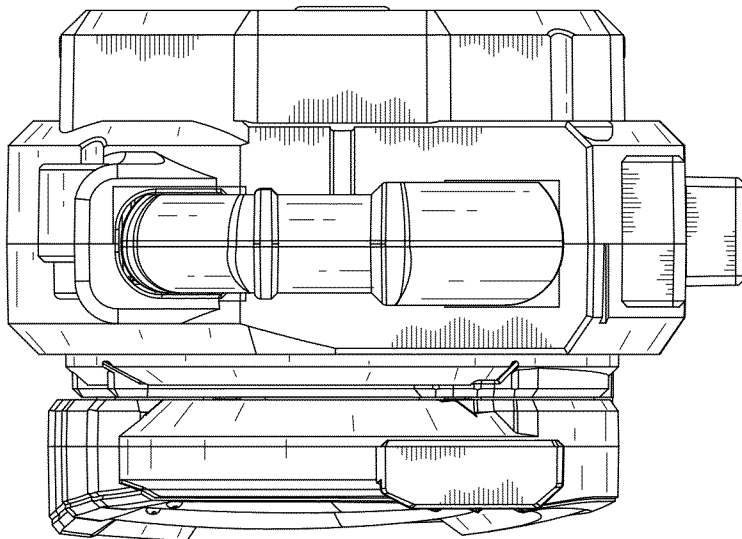


FIG. 5

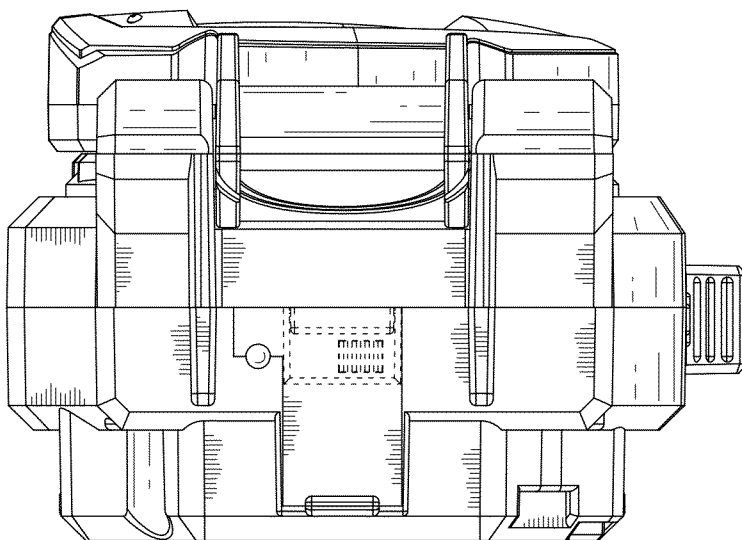


FIG. 6

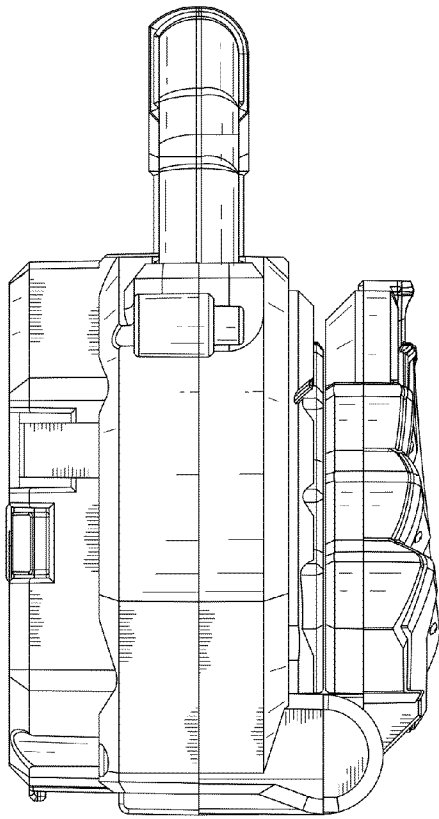


FIG. 7

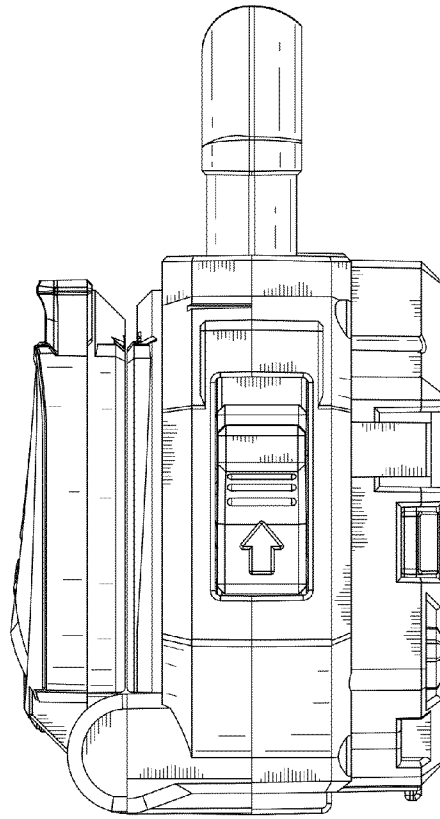


FIG. 8

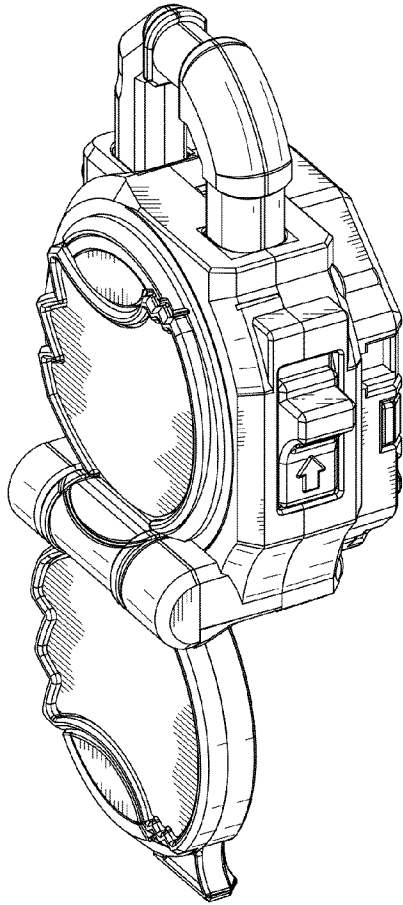


FIG. 9

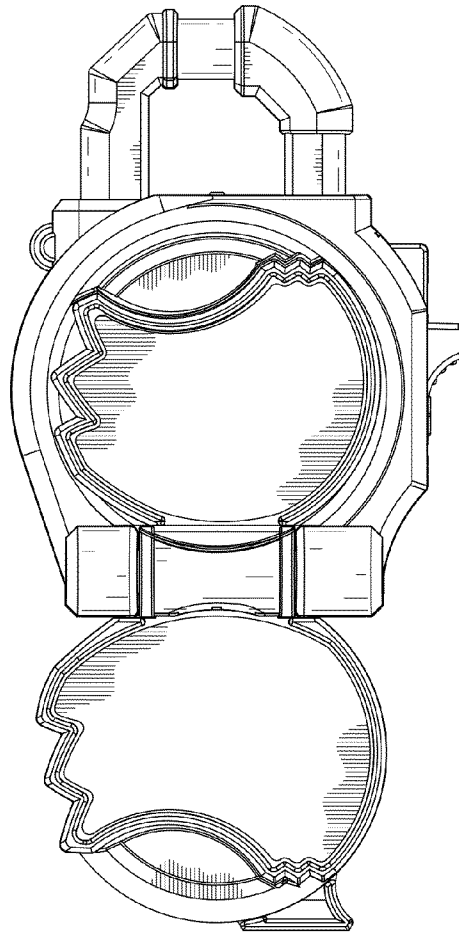


FIG. 10

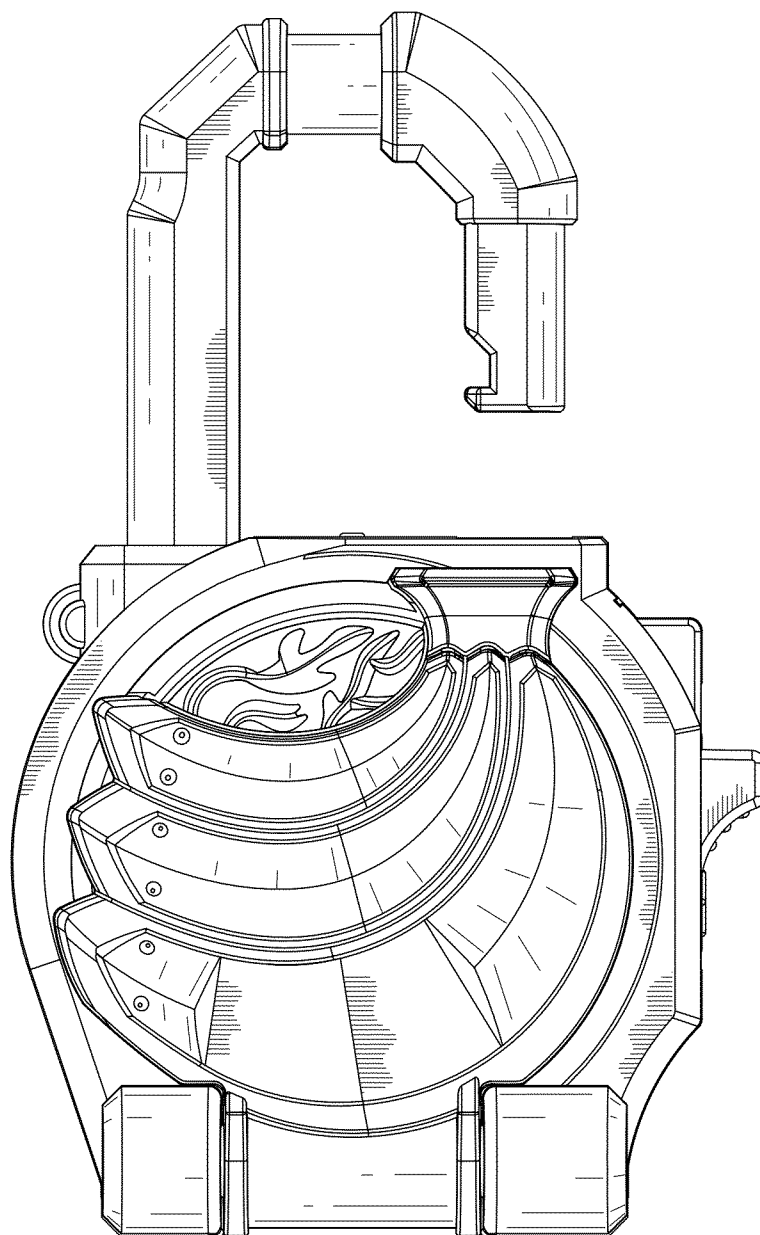


FIG. 11