



US00D744901S

(12) **United States Design Patent**  
**Fulgenzi**

(10) **Patent No.:** **US D744,901 S**

(45) **Date of Patent:** **\*\* \*Dec. 8, 2015**

(54) **CAR, TOY REPLICA AND/OR OTHER REPLICAS**

(75) Inventor: **Gianmaria Fulgenzi**, Castelvetro di Modena (IT)

(73) Assignee: **FERRARI S.P.A.** (IT)

(\* ) Notice: This patent is subject to a terminal disclaimer.

(\*\*) Term: **14 Years**

(21) Appl. No.: **29/429,775**

(22) Filed: **Aug. 16, 2012**

(30) **Foreign Application Priority Data**

Feb. 16, 2012 (EM) ..... 001993239  
Feb. 16, 2012 (EM) ..... 001993254

(51) **LOC (10) Cl.** ..... **12-08**

(52) **U.S. Cl.** ..... **D12/92**  
USPC .....

(58) **Field of Classification Search**  
USPC ..... D12/86, 90-92, 88; D21/424, 433, 434;  
296/181.1, 181.5

See application file for complete search history.

(56) **References Cited**

U.S. PATENT DOCUMENTS

|              |        |                  |       |        |
|--------------|--------|------------------|-------|--------|
| D687,348 S * | 8/2013 | Nurnberger       | ..... | D12/92 |
| D687,349 S * | 8/2013 | Kruger et al.    | ..... | D12/92 |
| D689,400 S * | 9/2013 | Kobayashi et al. | ..... | D12/92 |
| D689,796 S * | 9/2013 | Kubo et al.      | ..... | D12/92 |
| D689,797 S * | 9/2013 | Kubo et al.      | ..... | D12/92 |

FOREIGN PATENT DOCUMENTS

|    |          |        |
|----|----------|--------|
| WO | DM070503 | 8/2008 |
| WO | DM72193  | 8/2009 |
| WO | DM076398 | 7/2011 |

\* cited by examiner

*Primary Examiner* — Melody Brown

(74) *Attorney, Agent, or Firm* — Cantor Colburn LLP

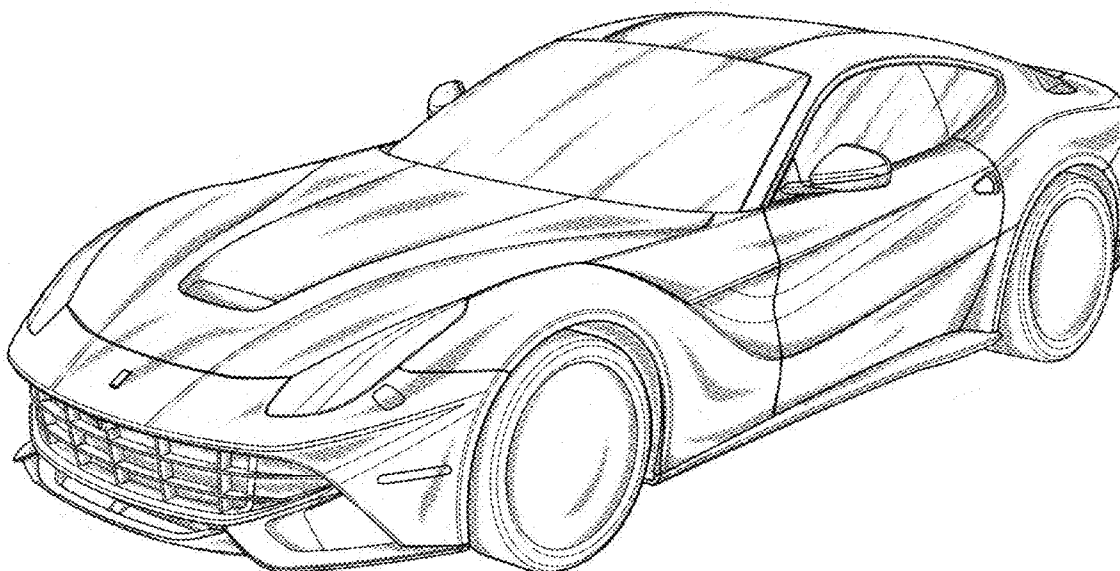
(57) **CLAIM**

I claim, the ornamental design for a car, toy replica and/or other replicas, as shown and described.

**DESCRIPTION**

FIG. 1 is a front elevation view of a car, toy replica and/or other replicas, showing my new design;  
FIG. 2 is a rear elevation view thereof;  
FIG. 3 is a side elevation view thereof taken from the right of FIG. 1;  
FIG. 4 is a side elevation view thereof taken from the left of FIG. 1;  
FIG. 5 is a top plan view thereof;  
FIG. 6 is a front perspective view thereof; and,  
FIG. 7 is a rear perspective view thereof.

**1 Claim, 7 Drawing Sheets**



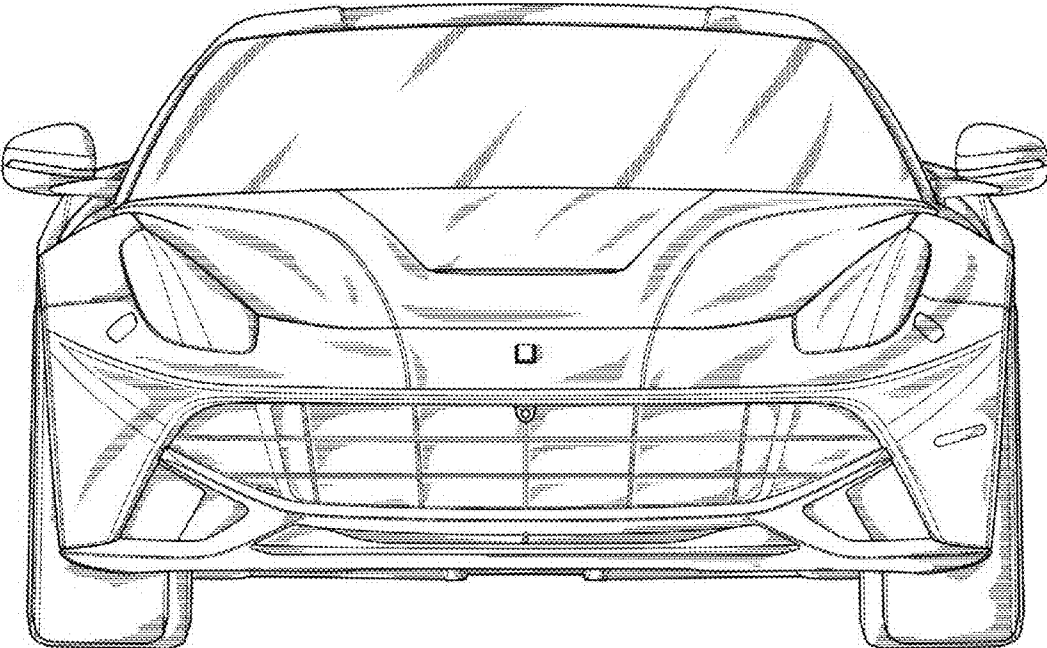


Fig. 1

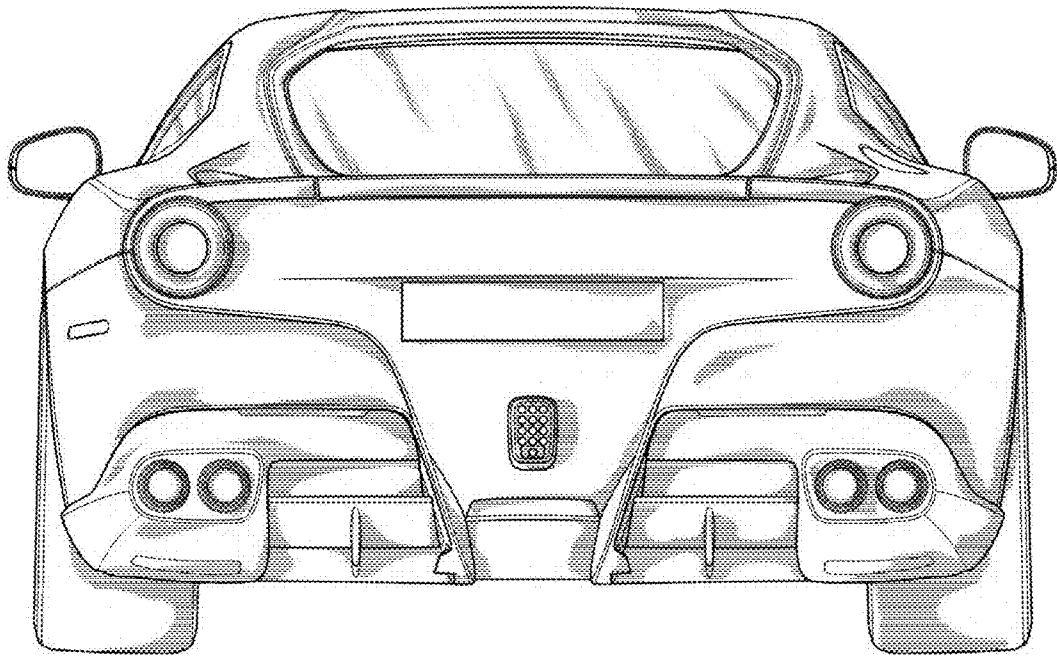


Fig. 2

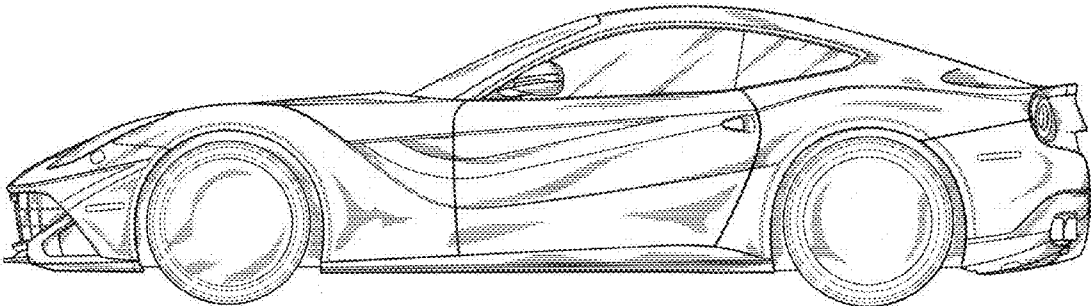


Fig. 3

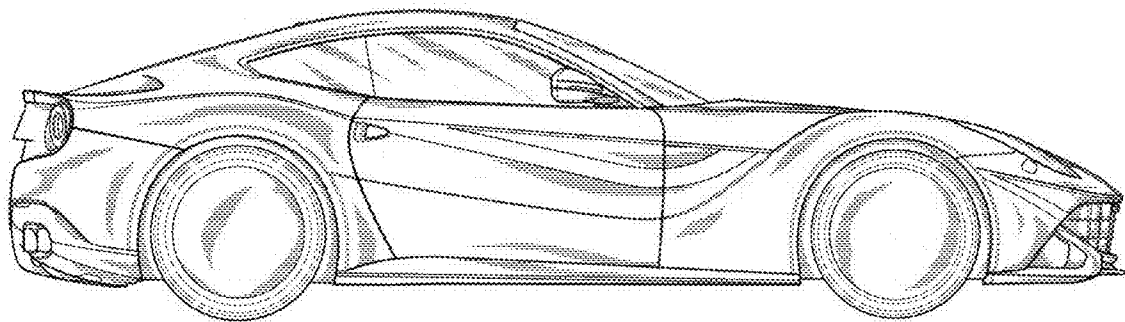


Fig. 4

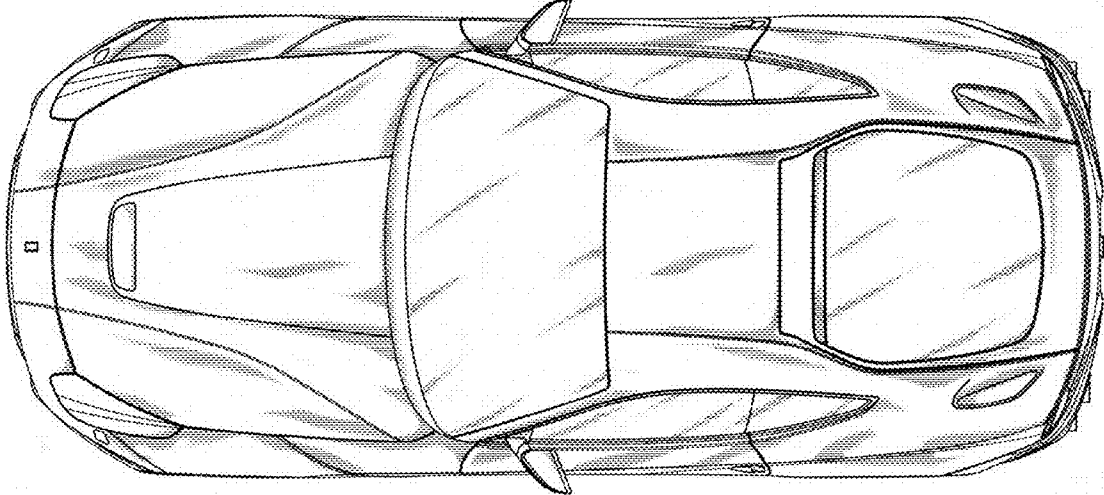


Fig. 5

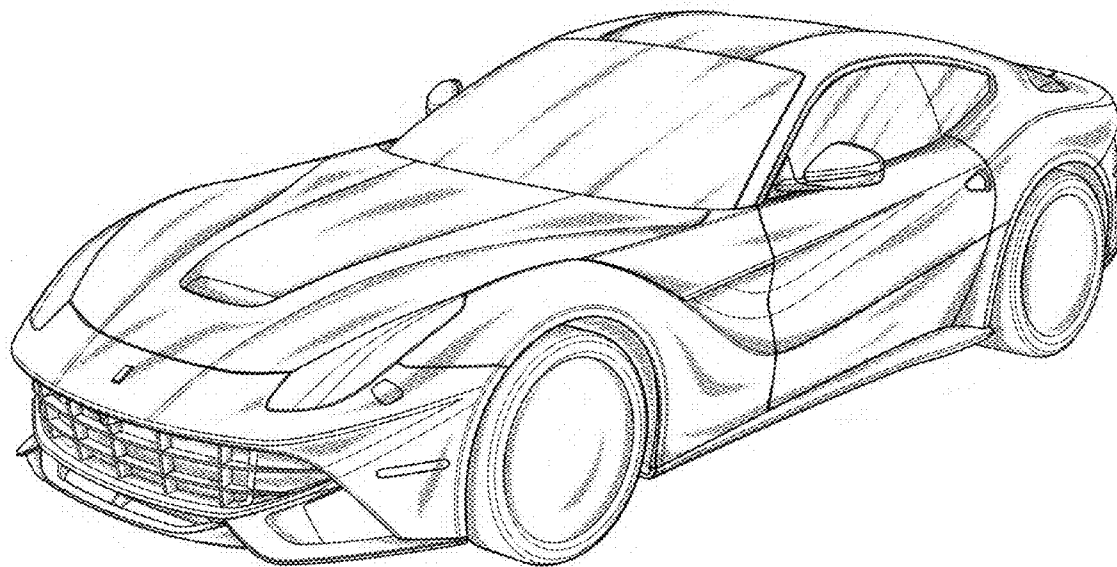


Fig. 6

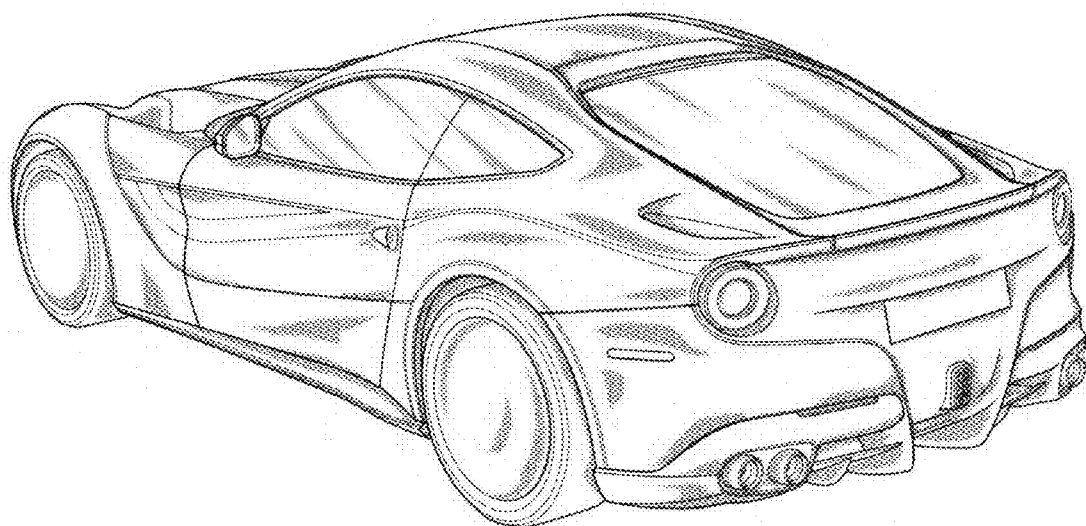


Fig. 7