



US0D1061973S

(12) **United States Design Patent**
Freeland et al.

(10) **Patent No.:** **US D1,061,973 S**

(45) **Date of Patent:** **** Feb. 11, 2025**

(54) **SANTA LED LANTERN** D808,816 S * 1/2018 Kassouni B65D 81/365
D11/128

(71) Applicants: **Brian Freeland**, Chandler, AZ (US); D821,255 S 6/2018 Parisi
Robert Vasquez, Gilbert, AZ (US) D821,256 S 6/2018 Parisi
(Continued)

(72) Inventors: **Brian Freeland**, Chandler, AZ (US);
Robert Vasquez, Gilbert, AZ (US) FOREIGN PATENT DOCUMENTS

(**) Term: **15 Years** CN 200943827 Y 9/2007
CN 200989545 Y 12/2007
(Continued)

(21) Appl. No.: **29/886,482**
(22) Filed: **Mar. 9, 2023** OTHER PUBLICATIONS

(51) **LOC (15) Cl.** **26-02** "Target—C&F Home Santa Lantern", no publication date, [online],
(52) **U.S. Cl.** [retrieved Jul. 10, 2024]. Retrieved from internet, <https://tinyurl.com/445nsfws> (Year: 2024).*
USPC **D26/50** (Continued)

(58) **Field of Classification Search**
USPC ... D26/7, 32, 37, 85, 86, 92, 41, 40, 47, 73,
D26/99, 126, 146, 147, 156, 50;
D21/360, 428, 414, 415, 418, 576, 597,
D21/599; D11/120, 121, 131, 157, 158
CPC .. F21S 8/033; F21S 8/036; F21S 8/043; F21S
8/046; F21S 8/06; F21S 8/061; F21S
8/063; F21S 8/065
See application file for complete search history.

(56) **References Cited** **CLAIM**
The ornamental design for a Santa LED lantern, as shown
and described.

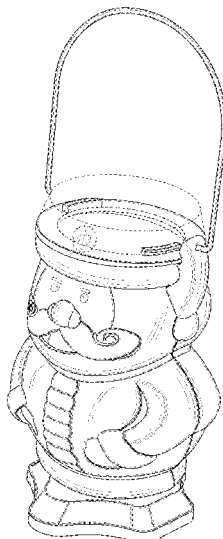
U.S. PATENT DOCUMENTS

D177,047 S *	3/1956	Hettlinger	D11/129
D194,475 S	1/1963	Gottsegen		
D287,409 S	12/1986	Johansson		
5,458,932 A *	10/1995	Zinbarg	A63H 27/10 446/268
D422,725 S	4/2000	Leonard		
D448,515 S *	9/2001	Sehl	D26/99
D505,216 S	5/2005	Chen		
D521,783 S	5/2006	Nida		
D538,455 S	3/2007	Lo et al.		
D562,714 S *	2/2008	Priestly	D10/106.4
D625,874 S	10/2010	Sanoner		
D631,389 S	1/2011	Garrison		
D638,966 S *	5/2011	van der Lande	D26/47
D769,847 S	10/2016	McClurkan		

DESCRIPTION

FIG. 1 is a front top right side perspective view for a Santa LED lantern, showing our new design;
FIG. 2 is a front elevational view of FIG. 1 thereof;
FIG. 3 is a rear elevational view of FIG. 1 thereof;
FIG. 4 is a left side elevational view of FIG. 1 thereof;
FIG. 5 is a right side elevational view of FIG. 1 thereof;
FIG. 6 is a top plan view of FIG. 1 thereof; and,
FIG. 7 is a bottom plan view of FIG. 1 thereof.
The broken lines indicate unclaimed portions of the Santa LED lantern and form no part of the claimed design.

1 Claim, 7 Drawing Sheets



(56)

References Cited

U.S. PATENT DOCUMENTS

D838,885	S	1/2019	Liu	
D843,038	S	3/2019	Vyvey	
D871,253	S	12/2019	Corey	
D922,639	S	6/2021	Sun	
11,435,056	B1 *	9/2022	Zhu	F21V 3/049
D972,179	S	12/2022	Li	
D976,115	S	1/2023	Kokkonas	

FOREIGN PATENT DOCUMENTS

CN	201899880	U	7/2011
CN	205535572	U	8/2016
CN	307664362	*	11/2022

OTHER PUBLICATIONS

“Amazon—Ubersweet® Santa Claus 3D Acrylic”, posted Dec. 1, 2023, [online], [retrieved Jul. 10, 2024]. Retrieved from internet, <https://www.amazon.in/UBERSWEET%C2%AE-Acrylic-Cartoon-Christmas-Decoration/dp/B0C6K59QR4> (Year: 2023).*

“Aamazon—Loftek Acrylic Lighted Santa Claus”, posted Oct. 13, 2023, [online], [retrieved Jul. 10, 2024]. Retrieved from internet, <https://tinyurl.com/56sr73mk> (Year: 2023).*

U.S. Trademark Registration No. 4244511; Mark—Blacklight Master Filing date: Sep. 16, 2011 Registration date: Nov. 20, 2012.

US Trademark Registration No. 4025874; Mark—Scorpion Master Filing date: Feb. 16, 2011 Registration date: Sep. 13, 2011.

U.S. Trademark Registration No. 4145999; Mark—Blazing LEDz Filing date: Sep. 16, 2011 Registration date: May 22, 2012.

U.S. Trademark Registration No. 5412918; Mark—Shawshank LEDz Filing date: Aug. 9, 2017 Registration date: Feb. 27, 2018.

“Shimmering Santa/Snowman Lantern” by Shawshank LEDz, Published Online on [Sep. 2022] <https://shawshankledz.com/images/P/768188-D-12PK%20Solar%20Shim%20Santa%20Snow%20Lantern%20MOCK%20LoRes.jpg>.

“Santa Claus Ceramic Solar Powered Changing Outdoor Hanging Pendant” by The Holiday Aisle, Found Online on [May 8, 2023] <https://secure.img1-cg.wfcdn.com/im/60039870/resize-h819-w1024%5Ecompr-r85/9632/9632507/Santa+Claus+Ceramic+Solar+Powered+Changing+Outdoor+Hanging+Pendant.jpg>.

“Colour-changing led lighted Christmas santa claus lantern” by Kinghorse, Found Online on [May 8, 2023] <https://s.alicdn.com/>

[@sc04/kf/H72b5a6a9309d42afba3f1c17b0c87660.jpg_960x960.jpg](https://s.alicdn.com/@sc04/kf/H72b5a6a9309d42afba3f1c17b0c87660.jpg_960x960.jpg).

“Ceramic Santa Face Lantern Lights Up Christmas Has Handle and Tag” by Tag, Found Online on [May 8, 2023] <https://i.ebayimg.com/images/g/-uUAAOSw6c5jBF91/s-l1600.jpg>.

“Custom OEM design christmas decoration santa claus head shaped lantern for ceramic crafts and gifts” by DSX, DSX Ceramic, Found Online on [May 8, 2023] https://s.alicdn.com/@sc04/kf/H04b234197b23475a8e81b57a811225a8g.jpg_960x960.jpg.

“Colour-changing led lighted Christmas santa claus lantern” by Kinghorse, Found Online on [May 8, 2023] https://s.alicdn.com/@sc04/kf/H5ea4a33a3af04c879cd48f0bbfd5a6248.jpg_960x960.jpg.

“Terracotta Christmas Tree Decorations Hanging Lantern Santa Claus Snowman with Light Led for Holiday Xmas Desktop Ornaments” by Xiamen Wonderful Import & Export Co., Ltd., Found Online on [May 8, 2023] https://s.alicdn.com/@sc04/kf/H1f733f1c871f4ae8bb0aea25608d9b1fs.jpg_960x960.jpg.

“Archies Santa Lantern LED Showpiece” by Archies, Found Online on [May 8, 2023] <https://n1.sdcdn.com/imgs/b/e/i/Archies-Santa-Lantern-LED-Showpiece-SDL984710459-1-6406a.jpg>.

“Ceramic handmade christmas hanging lantern santa claus design for home decoration” by DSX, DSX Ceramic, Found Online on [May 8, 2023] https://s.alicdn.com/@sc04/kf/H945141f1dfa74d1aab1bd741ee1959a80.jpg_960x960.jpg.

“Hand painted ceramic santa claus lantern with metal handle” by Kinghorse, Found Online on [May 8, 2023] https://s.alicdn.com/@sc04/kf/He3a4062afacd43ed8b3e760f3e6981eeX.jpg_960x960.jpg.

“Antique santa claus ceramic lantern for holiday decoration” by Kinghorse, Found Online on [May 8, 2023] https://s.alicdn.com/@sc04/kf/H58fd87caa278427c9b7dbc516fd44736z.jpg_960x960.jpg.

“Santa Ceramic Lantern” by C&F Enterprises, Found Online on [May 8, 2023] <https://www.pcfallon.com/images/product/large/50094.jpg>.

“1950’s Amico Santa Head Lantern” by That Vintage Store, Found Online on [May 8, 2023] https://i.etsystatic.com/9513420/r/il/8acf9e/2063653973/il_794xN.2063653973_cptp.jpg.

“Mr. Christmas Holiday Lanterns” by Mr. Christmas, Found Online on [May 8, 2023] https://item.tscimg.ca/TSC/2/21/212/0x0/212638_ALTMORE1.jpg?impolicy=XL.

* cited by examiner

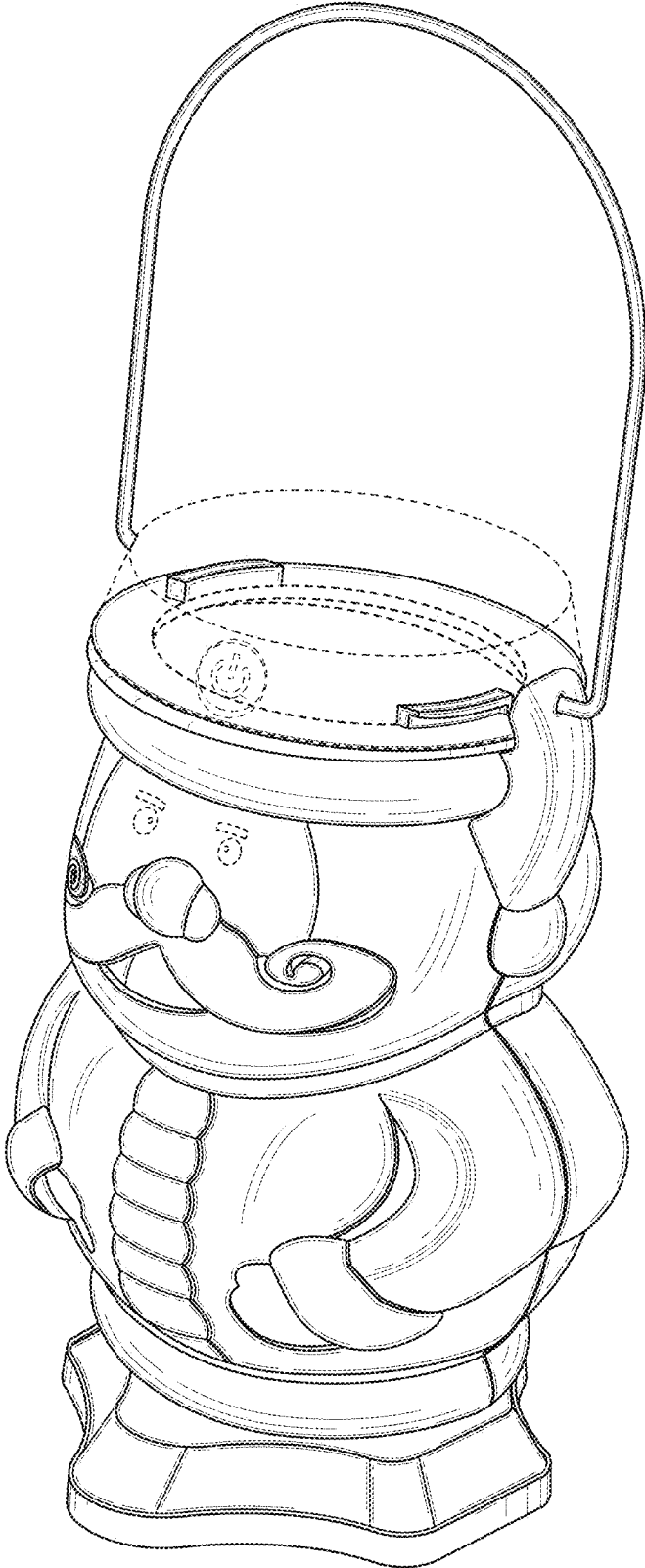


FIG. 1

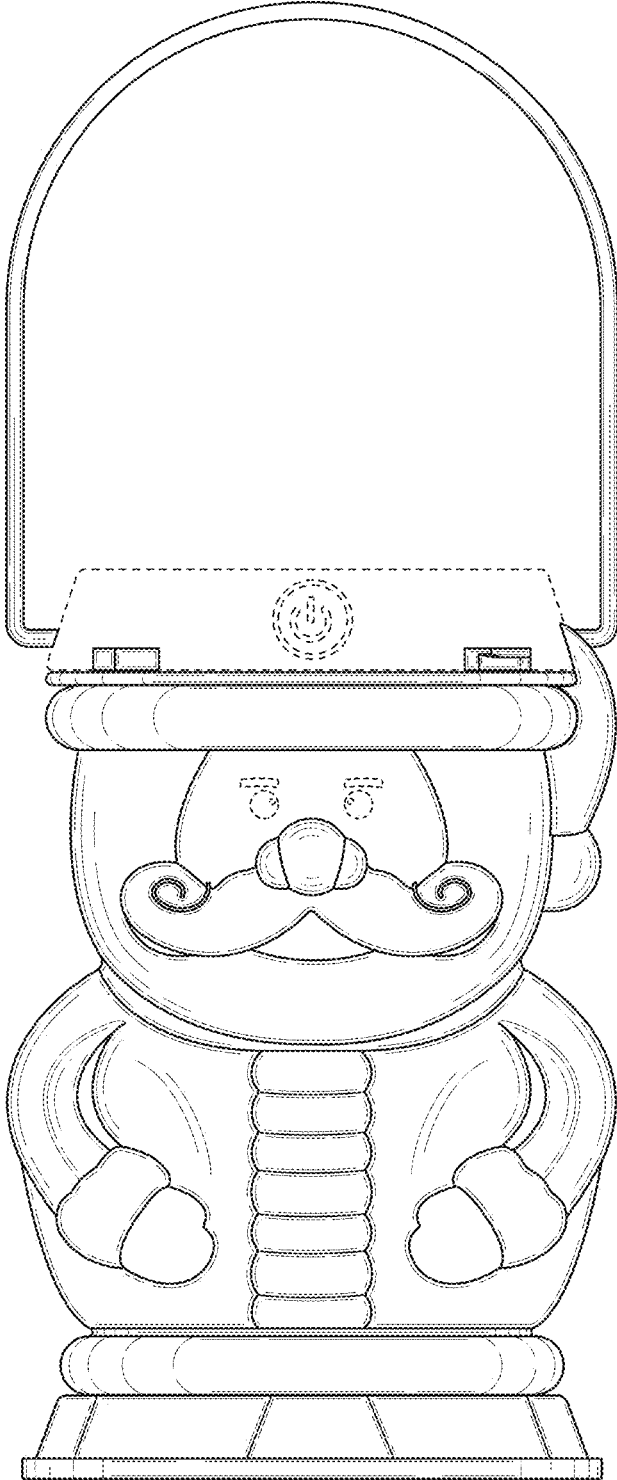


FIG. 2

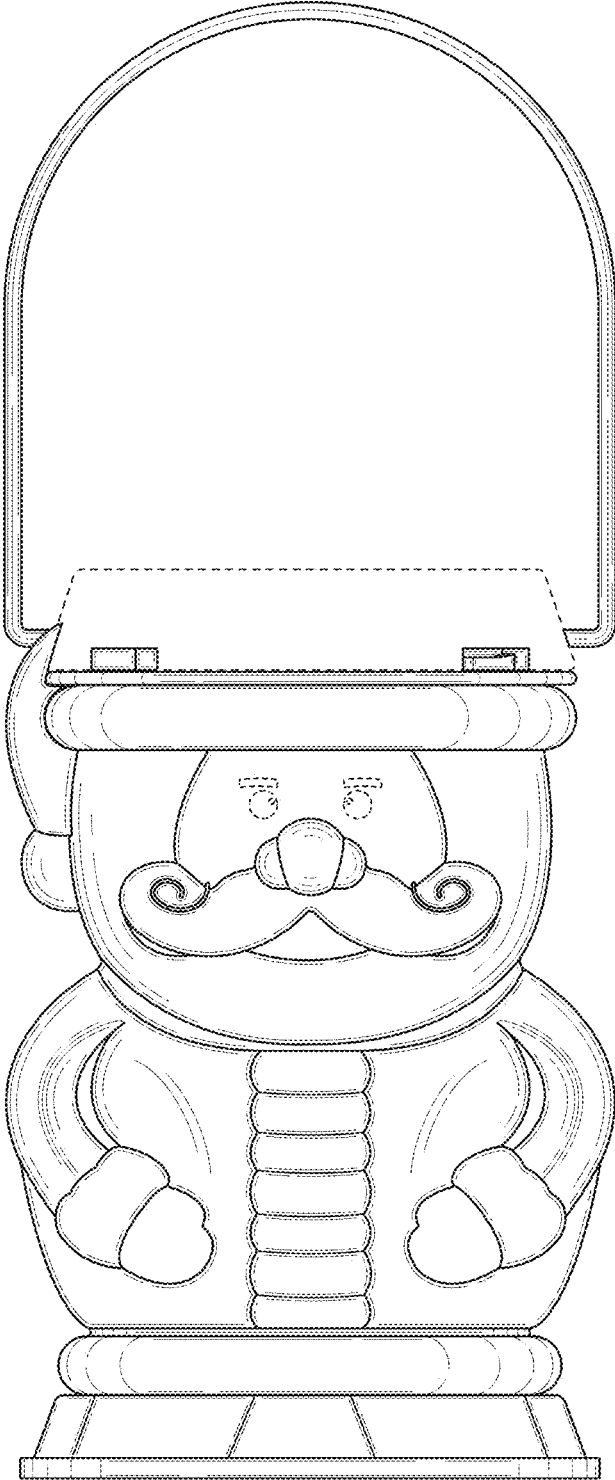


FIG. 3

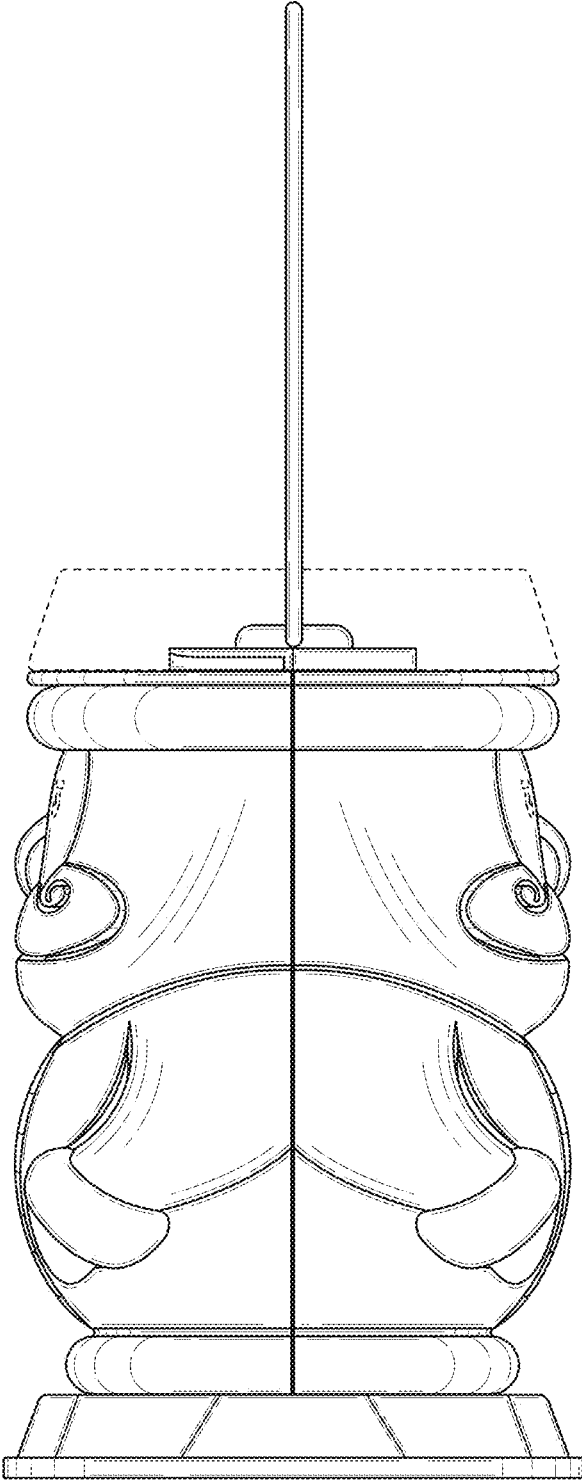


FIG. 4

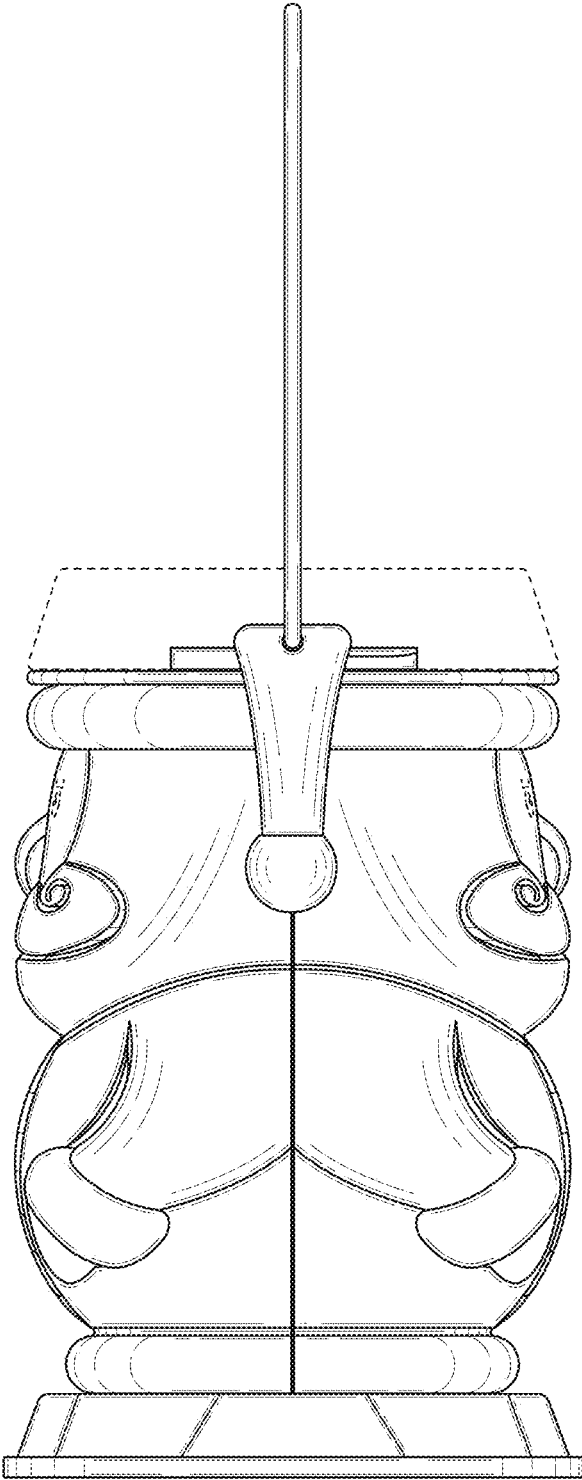


FIG. 5

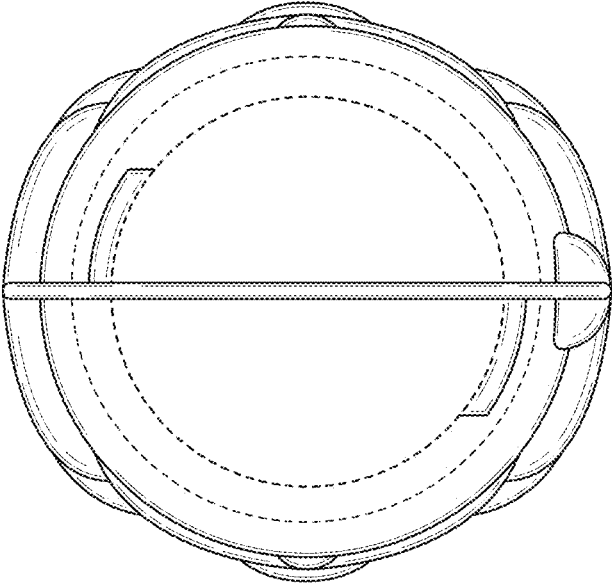


FIG. 6

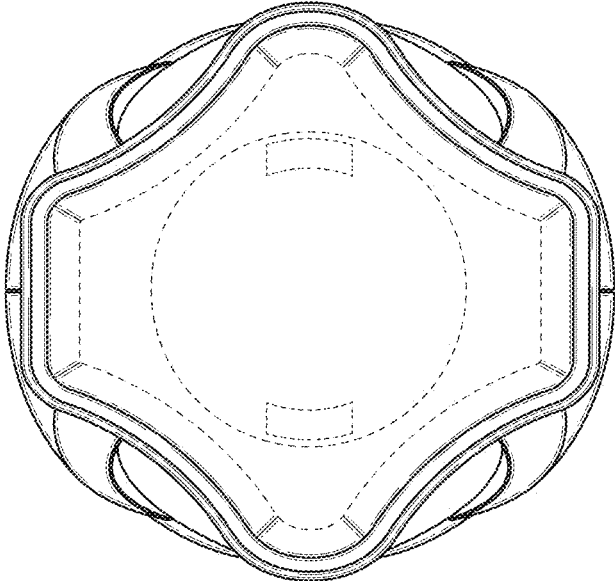


FIG. 7