

(19) World Intellectual Property Organization
International Bureau



(43) International Publication Date
21 August 2008 (21.08.2008)

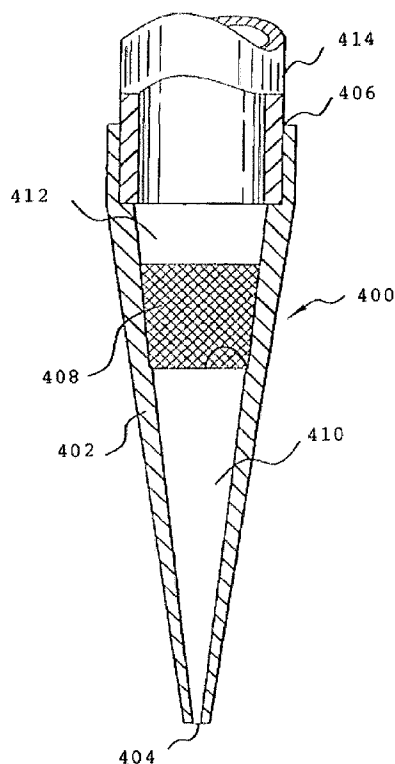
PCT

(10) International Publication Number
WO 2008/100500 A3

- (51) International Patent Classification:
C08J 9/00 (2006.01) B01D 39/00 (2006.01)
G01N 31/22 (2006.01)
- (21) International Application Number:
PCT/US2008/001838
- (22) International Filing Date:
12 February 2008 (12.02.2008)
- (25) Filing Language: English
- (26) Publication Language: English
- (30) Priority Data:
60/900,817 12 February 2007 (12.02.2007) US
- (71) Applicant (for all designated States except US): **POREX CORPORATION** [US/US]; 500 Bohannon Road, Fairburn, Georgia 30213 (US).
- (72) Inventor; and
- (75) Inventor/Applicant (for US only): **MAO, Guoqiang** [US/US]; 4951 Durley Walk, Smyrna, Georgia 30082 (US).
- (74) Agent: **MCDONALD, John, K.**; Kilpatrick Stockton LLP, Suite 2800, 1100 Peachtree Street, Atlanta, Georgia 30309, (US).
- (81) Designated States (unless otherwise indicated, for every kind of national protection available): AE, AG, AL, AM, AO, AT, AU, AZ, BA, BB, BG, BH, BR, BW, BY, BZ, CA, CH, CN, CO, CR, CU, CZ, DE, DK, DM, DO, DZ, EC, EE, EG, ES, FI, GB, GD, GE, GH, GM, GT, HN, HR, HU, ID, IL, IN, IS, JP, KE, KG, KM, KN, KP, KR, KZ, LA, LC, LK, LR, LS, LT, LU, LY, MA, MD, ME, MG, MK, MN, MW, MX, MY, MZ, NA, NG, NI, NO, NZ, OM, PG, PH, PL, PT, RO, RS, RU, SC, SD, SE, SG, SK, SL, SM, SV, SY, TJ, TM, TN, TR, TT, TZ, UA, UG, US, UZ, VC, VN, ZA, ZM, ZW.
- (84) Designated States (unless otherwise indicated, for every kind of regional protection available): ARIPO (BW, GH, GM, KE, LS, MW, MZ, NA, SD, SL, SZ, TZ, UG, ZM, ZW), Eurasian (AM, AZ, BY, KG, KZ, MD, RU, TJ, TM), European (AT, BE, BG, CH, CY, CZ, DE, DK, EE, ES, FI, FR, GB, GR, HR, HU, IE, IS, IT, LT, LU, LV, MC, MT, NL,

[Continued on next page]

(54) Title: POROUS BARRIER MEDIA COMPRISING COLOR CHANGE INDICATORS



(57) Abstract: The present invention provides porous barrier compositions comprising color change indicators and methods of making and using the same.

FIGURE 4

WO 2008/100500 A3



NO, PL, PT, RO, SE, SI, SK, TR), OAPI (BF, BJ, CF, CG,
CI, CM, GA, GN, GQ, GW, ML, MR, NE, SN, TD, TG).

— *before the expiration of the time limit for amending the
claims and to be republished in the event of receipt of
amendments*

Published:

— *with international search report*

(88) Date of publication of the international search report:

6 November 2008

INTERNATIONAL SEARCH REPORT

International application No
PCT/US2008/001838

A. CLASSIFICATION OF SUBJECT MATTER
INV. C08J9/00 G01N31/22 B01D39/00

According to International Patent Classification (IPC) or to both national classification and IPC

B. FIELDS SEARCHED

Minimum documentation searched (classification system followed by classification symbols)
C08J G01N B01D

Documentation searched other than minimum documentation to the extent that such documents are included in the fields searched

Electronic data base consulted during the international search (name of data base and, where practical, search terms used)

EPO-Internal, WPI Data

C. DOCUMENTS CONSIDERED TO BE RELEVANT

| Category* | Citation of document, with indication, where appropriate, of the relevant passages | Relevant to claim No. |
|-----------|-----------------------------------------------------------------------------------------------------------------------------------------|-----------------------|
| Y | WO 02/36708 A (POREX CORP [US]) 10 May 2002 (2002-05-10) the whole document | 1-31, 35-39 |
| Y | US 4 924 860 A (LARSEN TIMOTHY P [US] ET AL) 15 May 1990 (1990-05-15) claims 2,4 column 2, paragraph 2 | 1-31, 35-39 |
| Y | US 5 156 811 A (WHITE DAVID A [US]) 20 October 1992 (1992-10-20) claims 1,11 | 1-31, 35-39 |
| Y | US 2005/109683 A1 (JOYCE PATRICK C [US] ET AL) 26 May 2005 (2005-05-26) claims 12,16,30,38,47 tables I,II,III columns 42-46 | 1-31, 35-39 |

Further documents are listed in the continuation of Box C.

See patent family annex.

* Special categories of cited documents:

- "A" document defining the general state of the art which is not considered to be of particular relevance
- "E" earlier document but published on or after the international filing date
- "L" document which may throw doubts on priority claim(s) or which is cited to establish the publication date of another citation or other special reason (as specified)
- "O" document referring to an oral disclosure, use, exhibition or other means
- "P" document published prior to the international filing date but later than the priority date claimed

- "T" later document published after the international filing date or priority date and not in conflict with the application but cited to understand the principle or theory underlying the invention
- "X" document of particular relevance; the claimed invention cannot be considered novel or cannot be considered to involve an inventive step when the document is taken alone
- "Y" document of particular relevance; the claimed invention cannot be considered to involve an inventive step when the document is combined with one or more other such documents, such combination being obvious to a person skilled in the art.
- "&" document member of the same patent family

Date of the actual completion of the international search

24 June 2008

Date of mailing of the international search report

26. 08. 2008

Name and mailing address of the ISA/

European Patent Office, P.B. 5818 Patentlaan 2
NL - 2280 HV Rijswijk
Tel. (+31-70) 340-2040, Tx. 31 651 epo nl,
Fax: (+31-70) 340-3016

Authorized officer

Lauteschlaeger, S

INTERNATIONAL SEARCH REPORT

International application No

PCT/US2008/001838

C(Continuation). DOCUMENTS CONSIDERED TO BE RELEVANT

| Category* | Citation of document, with indication, where appropriate, of the relevant passages | Relevant to claim No. |
|-----------|---------------------------------------------------------------------------------------------------------------------------------------------------------------------------------------------------------|-----------------------|
| Y | DE 101 57 551 A1 (MESSER GRIESHEIM GMBH [DE]) 12 June 2003 (2003-06-12) claims 1,9 paragraphs [0009], [0011] ----- | 1-31, 35-39 |
| Y | DATABASE WPI Week 200401 Thomson Scientific, London, GB; AN 2005-002909 XP002485448 & JP 2004 331855 A (TOPPAN PRINTING CO) 25 November 2004 (2004-11-25) abstract ----- | 1-31, 35-39 |
| X,Y | WO 2006/097481 A (NG BAM BUNDESANSTALT FUER MATE [DE]; DANTAN NATHALIE [DE]; KOHLOFF HA) 21 September 2006 (2006-09-21) claims 1,3,5 page 4, paragraph 4 page 7, paragraph 4 ----- | 1-31, 35-39 |
| E | WO 2008/021539 A (POREX CORP [US]; MAERTENS ANDRE [DE]; KUNTH GERALD [DE]; FULLERTON DAN) 21 February 2008 (2008-02-21) claims 1,6,8,11 ----- | 24,25, 27-29 |

INTERNATIONAL SEARCH REPORT

International application No.
PCT/US2008/001838

Box No. II Observations where certain claims were found unsearchable (Continuation of item 2 of first sheet)

This international search report has not been established in respect of certain claims under Article 17(2)(a) for the following reasons:

1. Claims Nos.:
because they relate to subject matter not required to be searched by this Authority, namely:

2. Claims Nos.:
because they relate to parts of the international application that do not comply with the prescribed requirements to such an extent that no meaningful international search can be carried out, specifically:

3. Claims Nos.:
because they are dependent claims and are not drafted in accordance with the second and third sentences of Rule 6.4(a).

Box No. III Observations where unity of invention is lacking (Continuation of item 3 of first sheet)

This International Searching Authority found multiple inventions in this international application, as follows:

see additional sheet

1. As all required additional search fees were timely paid by the applicant, this international search report covers allsearchable claims.

2. As all searchable claims could be searched without effort justifying an additional fees, this Authority did not invite payment of additional fees.

3. As only some of the required additional search fees were timely paid by the applicant, this international search report covers only those claims for which fees were paid, specifically claims Nos.:

4. No required additional search fees were timely paid by the applicant. Consequently, this international search report is restricted to the invention first mentioned in the claims; it is covered by claims Nos.:

1-31, 35-39

Remark on Protest

- The additional search fees were accompanied by the applicant's protest and, where applicable, the payment of a protest fee.
- The additional search fees were accompanied by the applicant's protest but the applicable protest fee was not paid within the time limit specified in the invitation.
- No protest accompanied the payment of additional search fees.

FURTHER INFORMATION CONTINUED FROM PCT/ISA/ 210

This International Searching Authority found multiple (groups of) inventions in this international application, as follows:

1. claims: 1-31, 35-39

Claims 1-23 and 35-39 are directed to sintered porous compositions containing a) plastic, c) color change indicator in combination with an absorbent (b); suitable as self-sealing barriers

Even though claims 24-31 are directed to compositions containing a) and c) without b) which are not suitable as self-sealing barriers, the search has also been carried out for these claims

2. claims: 32-34

sintered porous compositions containing components a) and c) in combination with a surfactant b'); not suitable as self-sealing barriers

INTERNATIONAL SEARCH REPORT

Information on patent family members

International application No

PCT/US2008/001838

| Patent document cited in search report | Publication date | Patent family member(s) | Publication date |
|----------------------------------------|------------------|-------------------------|------------------------------------------------------------------------------------------|
| WO 0236708 | A | 10-05-2002 | AU 2024702 A 15-05-2002 EP 1335960 A2 20-08-2003 JP 2004513211 T 30-04-2004 |
| US 4924860 | A | 15-05-1990 | NONE |
| US 5156811 | A | 20-10-1992 | NONE |
| US 2005109683 | A1 | 26-05-2005 | CA 2487010 A1 26-05-2005 US 2006260990 A1 23-11-2006 |
| DE 10157551 | A1 | 12-06-2003 | NONE |
| JP 2004331855 | A | 25-11-2004 | NONE |
| WO 2006097481 | A | 21-09-2006 | DE 102005013198 A1 28-09-2006 EP 1859265 A1 28-11-2007 US 2008159912 A1 03-07-2008 |
| WO 2008021539 | A | 21-02-2008 | NONE |