

(19) World Intellectual Property Organization
International Bureau



(43) International Publication Date
22 November 2007 (22.11.2007)

PCT

(10) International Publication Number
WO 2007/133552 A3

- (51) International Patent Classification:
A61G 7/057 (2006.01)
- (21) International Application Number:
PCT/US2007/011122
- (22) International Filing Date: 8 May 2007 (08.05.2007)
- (25) Filing Language: English
- (26) Publication Language: English
- (30) Priority Data:
60/799,435 9 May 2006 (09.05.2006) US
- (71) Applicant (for all designated States except US):
HILL-ROM SERVICES, INC. [US/US]; 300 Delaware Avenue, Suite 530, Wilmington, DE 19801 (US).
- (72) Inventors; and
- (75) Inventors/Applicants (for US only): **RICHARDS, Sandy, Mark** [US/US]; 319 Main Street, Pershing, IN 47370 (US). **O'KEEFE, Christopher, R.** [US/US]; 318 Coonhunters Road, Batesville, IN 47006 (US). **MEYER, Eric, R.** [US/US]; 4185 County Line Road, Greensburg, IN 47240 (US). **WILSON, Bradley, T.** [US/US]; 236 Winding Way, Batesville, IN 47006 (US).
- (74) Agent: **CONARD, Richard, D.**; Barnes & Thornburg LLP, 11 South Meridian Street, Indianapolis, IN 46204 (US).

- (81) Designated States (unless otherwise indicated, for every kind of national protection available): AE, AG, AL, AM, AT, AU, AZ, BA, BB, BG, BH, BR, BW, BY, BZ, CA, CH, CN, CO, CR, CU, CZ, DE, DK, DM, DZ, EC, EE, EG, ES, FI, GB, GD, GE, GH, GM, GT, HN, HR, HU, ID, IL, IN, IS, JP, KE, KG, KM, KN, KP, KR, KZ, LA, LC, LK, LR, LS, LT, LU, LY, MA, MD, ME, MG, MK, MN, MW, MX, MY, MZ, NA, NG, NI, NO, NZ, OM, PG, PH, PL, PT, RO, RS, RU, SC, SD, SE, SG, SK, SL, SM, SV, SY, TJ, TM, TN, TR, TT, TZ, UA, UG, US, UZ, VC, VN, ZA, ZM, ZW.
- (84) Designated States (unless otherwise indicated, for every kind of regional protection available): ARIPO (BW, GH, GM, KE, LS, MW, MZ, NA, SD, SL, SZ, TZ, UG, ZM, ZW), Eurasian (AM, AZ, BY, KG, KZ, MD, RU, TJ, TM), European (AT, BE, BG, CH, CY, CZ, DE, DK, EE, ES, FI, FR, GB, GR, HU, IE, IS, IT, LT, LU, LV, MC, MT, NL, PL, PT, RO, SE, SI, SK, TR), OAPI (BF, BJ, CF, CG, CI, CM, GA, GN, GQ, GW, ML, MR, NE, SN, TD, TG).

Declarations under Rule 4.17:

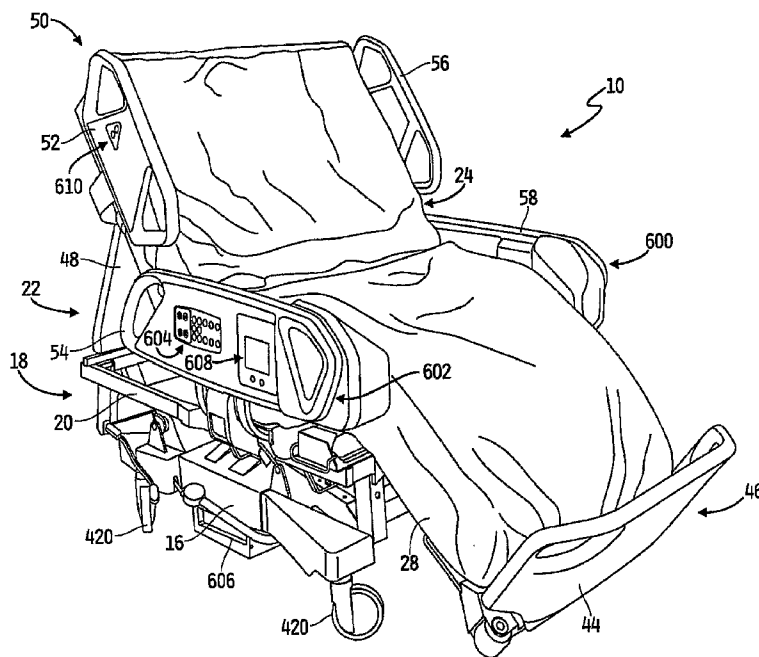
- as to the applicant's entitlement to claim the priority of the earlier application (Rule 4.17(iii))
- of inventorship (Rule 4.17(iv))

Published:

- with international search report

[Continued on next page]

(54) Title: PULMONARY MATTRESS



(57) Abstract: A patient-support apparatus (10) includes a mattress assembly (14) supported on a frame (12), the mattress assembly (14) including a coverlet (28) configured to provide low-airloss therapy to a patient supported on the patient-support apparatus (10). The patient-support apparatus (10) is articulable to a number of positions and includes a control network (410) which is responsive to movement of portions of the frame (12) to alter operational parameters of the frame (12) and mattress assembly (14).

WO 2007/133552 A3



— *before the expiration of the time limit for amending the claims and to be republished in the event of receipt of amendments*

(88) Date of publication of the international search report:
6 November 2008

INTERNATIONAL SEARCH REPORT

International application No.

PCT/US07/11122

A. CLASSIFICATION OF SUBJECT MATTER
 IPC: **A61G 7/057(2006.01)**

 USPC: **5/600,607,609,710,713**
 According to International Patent Classification (IPC) or to both national classification and IPC

B. FIELDS SEARCHED

Minimum documentation searched (classification system followed by classification symbols)
 U.S. : 5/600,607,609,710,713

Documentation searched other than minimum documentation to the extent that such documents are included in the fields searched

Electronic data base consulted during the international search (name of data base and, where practicable, search terms used)
 EAST

C. DOCUMENTS CONSIDERED TO BE RELEVANT

| Category * | Citation of document, with indication, where appropriate, of the relevant passages | Relevant to claim No. |
|---------------|--|---|
| X --- Y | US 6,584,628 B1 (KUMMER et al) 01 July 2003 (01.07.2003), Whole Document | 1-3, 5, 13, 14 ----- 4, 6-12, 15-19 |
| Y | "ALAMO-Alternating Low Airloss Mattress Overlay," National Patient Care Systems, Inc., advertising literature, two pages | 20-22, 27, 29, 30 |
| Y | US 2001/0033925 A1 (TRAPP et al) 25 October 2001 (25.10.2001), Whole Document | 23-26, 28 |

Further documents are listed in the continuation of Box C. See patent family annex.

| * Special categories of cited documents: | |
|---|--|
| "A" document defining the general state of the art which is not considered to be of particular relevance | "T" later document published after the international filing date or priority date and not in conflict with the application but cited to understand the principle or theory underlying the invention |
| "E" earlier application or patent published on or after the international filing date | "X" document of particular relevance; the claimed invention cannot be considered novel or cannot be considered to involve an inventive step when the document is taken alone |
| "L" document which may throw doubts on priority claim(s) or which is cited to establish the publication date of another citation or other special reason (as specified) | "Y" document of particular relevance; the claimed invention cannot be considered to involve an inventive step when the document is combined with one or more other such documents, such combination being obvious to a person skilled in the art |
| "O" document referring to an oral disclosure, use, exhibition or other means | "&" document member of the same patent family |
| "P" document published prior to the international filing date but later than the priority date claimed | |

| | |
|--|--|
| Date of the actual completion of the international search 08 August 2008 (08.08.2008) | Date of mailing of the international search report 12 SEP 2008 |
|--|--|

| | |
|---|--|
| Name and mailing address of the ISA/US Mail Stop PCT, Attn: ISA/US Commissioner for Patents P.O. Box 1450 Alexandria, Virginia 22313-1450 Facsimile No. (571) 273-3201 | Authorized officer Patricia L Engle Telephone No. 571-272-5894 |
|---|--|