



US00D520041S

(12) **United States Design Patent**  
**Wheat**

(10) **Patent No.:** **US D520,041 S**

(45) **Date of Patent:** **\*\* May 2, 2006**

(54) **MAGNETIC ADAPTER FOR A UNIVERSAL SHAFT SENSOR MOUNT**

(76) Inventor: **Jonathan Wheat**, 1017 N. Glenwood Ave., Peoria, IL (US) 61606

(\*\*) Term: **14 Years**

(21) Appl. No.: **29/206,433**

(22) Filed: **Jun. 1, 2004**

**Related U.S. Application Data**

(63) Continuation-in-part of application No. 09/862,225, filed on May 22, 2001.

(51) **LOC (8) Cl.** ..... **15-99**

(52) **U.S. Cl.** ..... **D15/199; D13/184**

(58) **Field of Classification Search** ..... **D13/183; D15/199; 73/493, 866.5; 248/309.4; 324/166-168, 324/173-174, 178-179, 207.25, 262**  
See application file for complete search history.

(56) **References Cited**

**U.S. PATENT DOCUMENTS**

D208,913 S \* 10/1967 Techtmann ..... D13/183

D229,698 S	*	12/1973	Kretzer	.....	D13/183
D307,745 S	*	5/1990	Adams	.....	D13/183
5,089,775 A	*	2/1992	Takeda	.....	324/174
5,880,585 A	*	3/1999	Oguro	.....	324/174
6,534,979 B1	*	3/2003	Wineland	.....	324/262
6,761,078 B1	*	7/2004	Allen	.....	73/866.5
6,865,962 B1	*	3/2005	Gorg et al.	.....	73/866.5
6,925,898 B1	*	8/2005	McVicar	.....	73/866.5

\* cited by examiner

*Primary Examiner*—Antoine D. Davis

(74) *Attorney, Agent, or Firm*—Kajane McManus

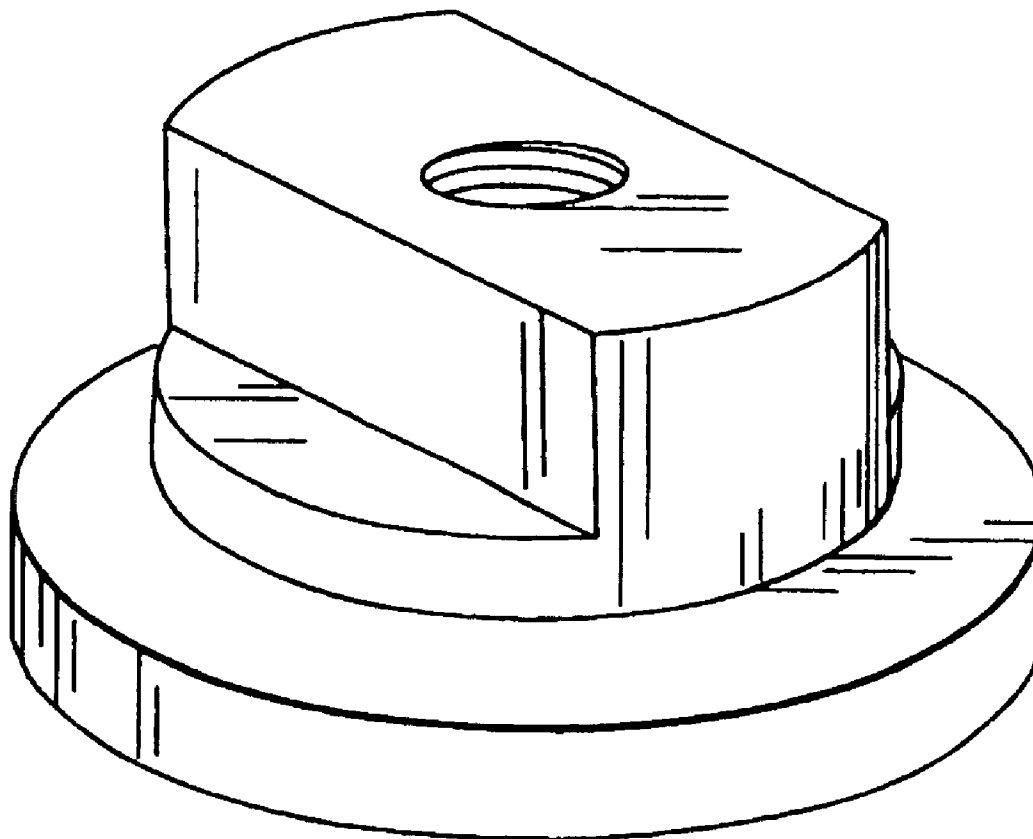
(57) **CLAIM**

The ornamental design for a magnetic adapter for a universal shaft sensor mount, substantially as shown and described.

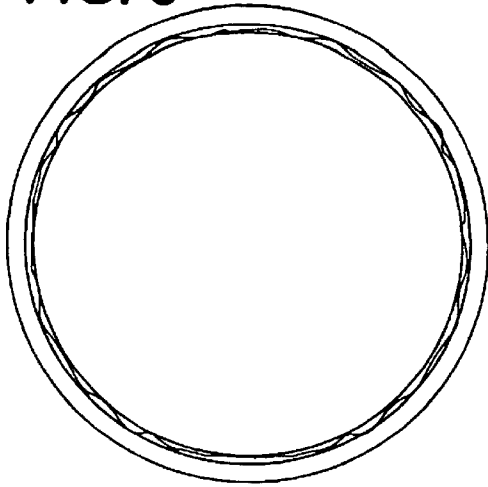
**DESCRIPTION**

FIG. 1 is a perspective view.  
FIG. 2 is a top view.  
FIG. 3 is a bottom view.  
FIG. 4 is a peripheral view; and,  
FIG. 5 is a peripheral view taken 90° from FIG. 4.

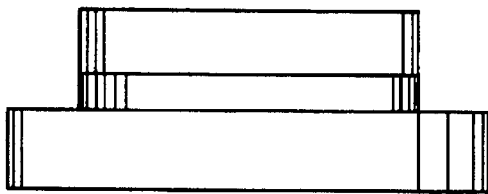
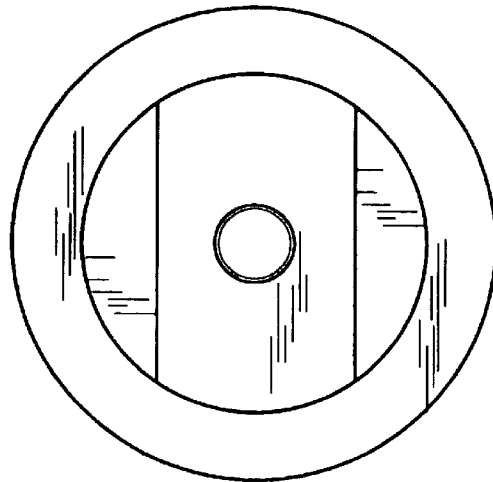
**1 Claim, 1 Drawing Sheet**



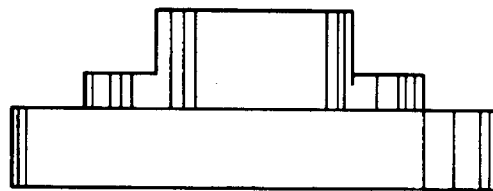
**FIG. 3**



**FIG. 2**



**FIG. 4**



**FIG. 5**

**FIG. 1**

