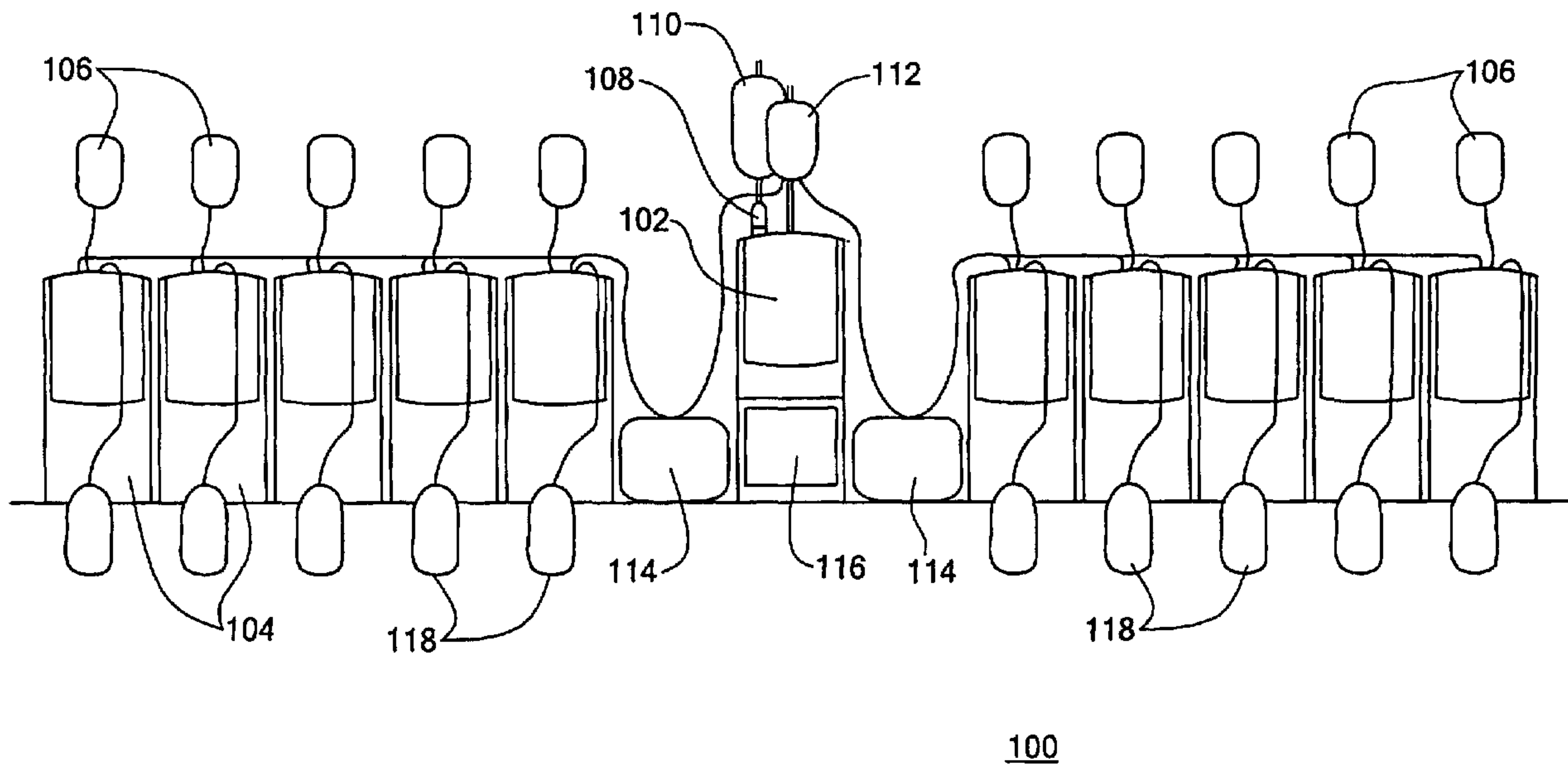




(86) Date de dépôt PCT/PCT Filing Date: 2004/10/29
 (87) Date publication PCT/PCT Publication Date: 2005/05/19
 (85) Entrée phase nationale/National Entry: 2006/04/28
 (86) N° demande PCT/PCT Application No.: US 2004/035952
 (87) N° publication PCT/PCT Publication No.: 2005/044435
 (30) Priorités/Priorities: 2003/10/30 (US10/696,990);
 2003/10/30 (US10/697,862); 2003/10/30 (US10/697,450);
 2003/10/30 (US10/696,984); 2003/10/30 (US10/697,176);
 2003/10/30 (US10/696,818); 2003/10/30 (US10/696,893);
 2003/10/30 (US10/696,969)

(51) Cl.Int./Int.Cl. *B01F 3/08* (2006.01),
A61M 1/02 (2006.01), *A61L 2/00* (2006.01),
A61M 1/36 (2006.01), *B01F 15/04* (2006.01),
B01F 5/12 (2006.01), *F04B 43/073* (2006.01)
 (71) Demandeur/Applicant:
 DEKA PRODUCTS LIMITED PARTNERSHIP, US
 (72) Inventeurs/Inventors:
 DEMERS, JASON A., US;
 MCGILL, DAVID W., US;
 TRACEY, BRIAN, US;
 GRAY, LARRY B., US
 (74) Agent: GOWLING LAFLEUR HENDERSON LLP

(54) Titre : SYSTEME, DISPOSITIF ET PROCEDE DE MELANGE DE LIQUIDES
 (54) Title: SYSTEM, DEVICE, AND METHOD FOR MIXING LIQUIDS



(57) **Abrégé/Abstract:**

A system, device, and method for mixing liquids involves pumping a first liquid into a first pump chamber (334) of a pumping apparatus through a channel (310) of the pumping apparatus and pumping a second liquid from a second pump chamber (333) of the pumping apparatus into either the channel or the first pump chamber, preferably while the first liquid is being pumped into the first pump chamber, so that the two liquids are mixed within the pumping apparatus. The second liquid is preferably pumped in a pulsatile mode in which small quantities of the second liquid are pumped at intervals. The quantity and/or the interval can be dynamically adjusted to result in a predetermined concentration of the two liquids. The contents of the first pump chamber are pumped to a receptacle.

(12) INTERNATIONAL APPLICATION PUBLISHED UNDER THE PATENT COOPERATION TREATY (PCT)

(19) World Intellectual Property
Organization
International Bureau



(43) International Publication Date
19 May 2005 (19.05.2005)

PCT

(10) International Publication Number
WO 2005/044435 A3

(51) International Patent Classification⁷: **B01F 3/08**, 5/12,
15/04, F04B 43/073, A61L 2/00, A61M 1/02, 1/36

(21) International Application Number:
PCT/US2004/035952

(22) International Filing Date: 29 October 2004 (29.10.2004)

(25) Filing Language: English

(26) Publication Language: English

(30) Priority Data:

10/696,969	30 October 2003 (30.10.2003)	US
10/696,893	30 October 2003 (30.10.2003)	US
10/696,818	30 October 2003 (30.10.2003)	US
10/697,176	30 October 2003 (30.10.2003)	US
10/696,984	30 October 2003 (30.10.2003)	US
10/697,450	30 October 2003 (30.10.2003)	US
10/697,862	30 October 2003 (30.10.2003)	US
10/696,990	30 October 2003 (30.10.2003)	US

(71) Applicant (for all designated States except US): **DEKA PRODUCTS LIMITED PARTNERSHIP** [US/US]; 340 Commercial Street, Manchester, NH 03101-1108 (US).

(72) Inventors; and

(75) Inventors/Applicants (for US only): **DEMERS, Jason,**

A. [US/US]; 387 North Bay Street, Manchester, NH 03104 (US). **MCGILL, David, W.** [US/US]; 29 West Drive, Bedford, NH 03110 (US). **TRACEY, Brian** [US/US]; 151 Talent Road, Litchfield, NH 03052 (US). **GRAY, Larry, B.** [US/US]; 19 Iris Drive, Merrimack, NH 03054 (US).

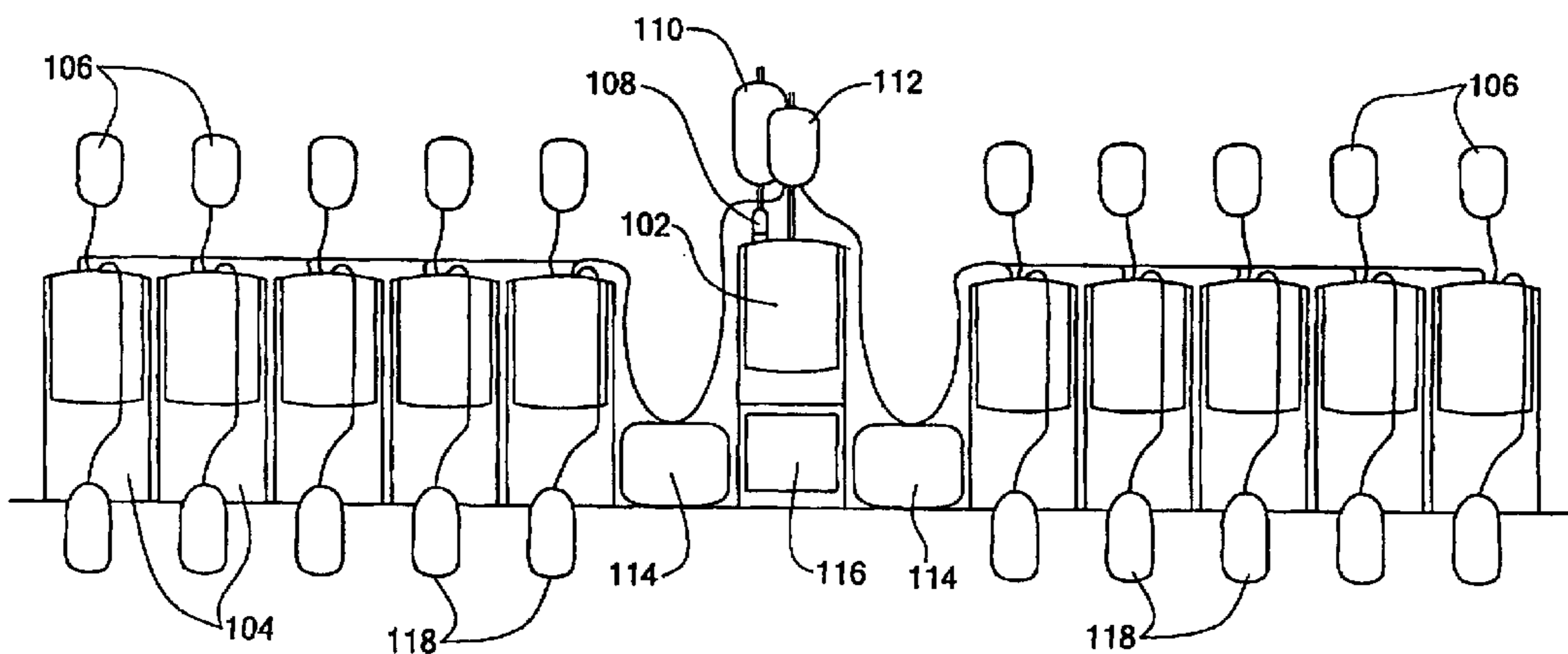
(74) Agents: **SUNSTEIN, Bruce, D.** et al.; Bromberg & Sunstein LLP, 125 Summer Street, Boston, MA 02110-1618 (US).

(81) Designated States (unless otherwise indicated, for every kind of national protection available): AE, AG, AL, AM, AT, AU, AZ, BA, BB, BG, BR, BW, BY, BZ, CA, CH, CN, CO, CR, CU, CZ, DE, DK, DM, DZ, EC, EE, EG, ES, FI, GB, GD, GE, GH, GM, HR, HU, ID, IL, IN, IS, JP, KE, KG, KP, KR, KZ, LC, LK, LR, LS, LT, LU, LV, MA, MD, MG, MK, MN, MW, MX, MZ, NA, NI, NO, NZ, OM, PG, PH, PL, PT, RO, RU, SC, SD, SE, SG, SK, SL, SY, TJ, TM, TN, TR, TT, TZ, UA, UG, US, UZ, VC, VN, YU, ZA, ZM, ZW.

(84) Designated States (unless otherwise indicated, for every kind of regional protection available): ARIPO (BW, GH, GM, KE, LS, MW, MZ, NA, SD, SL, SZ, TZ, UG, ZM, ZW), Eurasian (AM, AZ, BY, KG, KZ, MD, RU, TJ, TM), European (AT, BE, BG, CH, CY, CZ, DE, DK, EE, ES, FI, FR, GB, GR, HU, IE, IT, LU, MC, NL, PL, PT, RO, SE, SI,

[Continued on next page]

(54) Title: SYSTEM, DEVICE, AND METHOD FOR MIXING LIQUIDS



100

(57) Abstract: A system, device, and method for mixing liquids involves pumping a first liquid into a first pump chamber (334) of a pumping apparatus through a channel (310) of the pumping apparatus and pumping a second liquid from a second pump chamber (333) of the pumping apparatus into either the channel or the first pump chamber, preferably while the first liquid is being pumped into the first pump chamber, so that the two liquids are mixed within the pumping apparatus. The second liquid is preferably pumped in a pulsatile mode in which small quantities of the second liquid are pumped at intervals. The quantity and/or the interval can be dynamically adjusted to result in a predetermined concentration of the two liquids. The contents of the first pump chamber are pumped to a receptacle.

WO 2005/044435 A3

WO 2005/044435 A3



SK, TR), OAPI (BF, BJ, CF, CG, CI, CM, GA, GN, GQ, GW, ML, MR, NE, SN, TD, TG).

For two-letter codes and other abbreviations, refer to the "Guidance Notes on Codes and Abbreviations" appearing at the beginning of each regular issue of the PCT Gazette.

Published:

- *with international search report*
- *before the expiration of the time limit for amending the claims and to be republished in the event of receipt of amendments*

(88) Date of publication of the international search report:

18 August 2005

SYSTEM, DEVICE, AND METHOD FOR MIXING LIQUIDS

FIELD OF THE INVENTION

5

The present invention relates generally to pumping liquids, and more particularly to a system, device, and method for mixing liquids.

10

BACKGROUND OF THE INVENTION

Millions of people receive blood transfusions each year. Although helpful in many cases, blood transfusions have associated risks. Among others, there is a risk that microorganisms capable of causing disease (i.e., pathogens) could pass from the donor blood to the ultimate blood recipient. For example, untreated blood used in a blood transfusion could have pathogens causing the West Nile Virus, or AIDS. It thus is critical for the public health to ensure that transfused blood is substantially free of pathogens.

20

The medical community has responded to this need by developing various techniques for removing known and unknown pathogens from donated blood. One technique involves mixing precise amounts of a diluted anti-pathogen compound with blood. Some time after mixing, a rinsing process removes the anti-pathogen compound from the blood. One complexity with this process, however, is the fact that the diluted anti-pathogen compound has a very short shelf life (e.g., on the order of about four hours). Accordingly, the diluted anti-pathogen compound must be produced a relatively short time before it is mixed with blood.

25

The anti-pathogen compound is not easy to handle before it is diluted. To the contrary, it has a very high pH (e.g., on the order of 11.0 or higher) and thus, is highly caustic and toxic. Mere contact with the undiluted solution can melt plastic, or burn flesh. Because of these undesirable properties, the undiluted solution typically is manually diluted by highly trained laboratory technicians that necessarily must be protected from direct contact with it. Consequently, laboratory technicians often are required to wear relatively

35

impermeable protective gear while diluting the solution behind a chemical laminar flowhood. Such a process, however, is inherently slow, imprecise, and costly due to the multitude of safety requirements. Moreover, even with safeguards, diluting the undiluted solution still poses a risk to the laboratory technician.

SUMMARY OF THE INVENTION

In accordance with one aspect of the invention, mixing liquids involves pumping a first liquid into a first pump chamber of a pumping apparatus through a channel of the pumping apparatus and pumping a second liquid from a second pump chamber of the pumping apparatus into either the channel or the first pump chamber, preferably while the first liquid is being pumped into the first pump chamber, so that the two liquids are mixed within the pumping apparatus. The second liquid is preferably pumped in a pulsatile mode in which small quantities of the second liquid are pumped at intervals. The quantity and/or the interval can be dynamically adjusted to result in a predetermined concentration of the two liquids. The contents of the first pump chamber are pumped to a receptacle.

In accordance with another aspect of the invention, a method for mixing a first liquid with a second liquid involves pumping a first liquid into a first pump chamber of a pumping apparatus through a channel of the pumping apparatus and pumping a quantity of a second liquid from a second pump chamber of the pumping apparatus into one of the channel and the first pump chamber so as to mix the first liquid and the second liquid within the pumping apparatus. The quantity of the second liquid is preferably pumped during the pumping of the first liquid. The pumping apparatus may be a pneumatically operated pump cassette having various pneumatically operated pump chambers and valves. The second liquid may be pumped in a pulsatile mode. The pulse width and pulse interval may be dynamically adjusted to obtain a predetermined concentration of first liquid and second liquid. The contents of the first pump chamber may be pumped to a receptacle.

In accordance with another aspect of the present invention, an apparatus for mixing a first liquid with a second liquid includes a first pump controller operatively coupled to pump a first liquid into a first pump chamber of a pumping apparatus through a channel of the pumping apparatus and a second pump controller operatively coupled to pump a quantity of a second liquid from a second pump chamber of the pumping apparatus into one of the channel and the first pump chamber so as to mix the first liquid and the second liquid within the pumping apparatus. The quantity of the second liquid is preferably pumped during the pumping of the first liquid. The pumping apparatus may be a pneumatically operated pump cassette having various pneumatically operated pump chambers and valves. The second liquid may be pumped in a pulsatile mode. The pulse width and pulse interval may be dynamically adjusted to obtain a predetermined concentration of first liquid and second liquid. The contents of the first pump chamber may be pumped to a receptacle. The apparatus may include a pump cassette interface for pneumatically operating the chambers and valves of the pump cassette. The pump cassette interface may include a limiter for limiting the amount of second liquid held by the second pump chamber.

In accordance with another aspect of the present invention, an apparatus for mixing a first liquid with a second liquid includes means for pumping a first liquid into a first pump chamber of a pumping apparatus through a channel of the pumping apparatus and means for pumping a quantity of a second liquid from a second pump chamber of the pumping apparatus into one of the channel and the first pump chamber so as to mix the first liquid and the second liquid within the pumping apparatus.

In accordance with another aspect of the present invention, a system for mixing a first liquid with a second liquid includes a plurality of first liquid containers, each containing a first liquid; a second liquid container containing a second liquid; and a plurality of pumps, each pump operatively coupled to mix first liquid from a respective one of the plurality of first liquid containers with second liquid from the second liquid container. The system may also

include a process controller in communication with the plurality of pumps for coordinating said mixing by the pumps.

In accordance with another aspect of the invention, red blood cell concentrate is mixed with an anti-pathogen solution to form an incubation
5 solution.

In connection with developing a mixing system for treating blood with diluted anti-pathogen, a new pump cassette bank was invented. In accordance with one aspect of the invention, the bank includes a plurality of pump cassettes, each with a first fluid inlet port. Distribution tubing connects
10 an inlet tube to the first fluid inlet port on each of the pump cassettes such that the inlet tube is shared by the pump cassettes through the distribution tubing.

The plurality of pump cassettes may be symmetrically attached to the distribution tubing with respect to the inlet tube attachment. Among other
15 things, such symmetrical attachment of the pump cassettes facilitates priming of the pumps in certain embodiments of the invention. A four-port coupling may be inserted in the distribution tubing for making connection to the inlet tube and a middle one of the pump cassettes when the number of cassettes is an odd number.

In one embodiment of the invention, the bank includes an odd number
20 of pump cassettes and the inlet tube attaches to the distribution tubing proximate a junction between the distribution tubing and a middle one of the pump cassettes. A four-port coupling may be inserted in the distribution tubing to provide attachments to the inlet tube and the middle one of the
25 pump cassettes. The pump cassette of an embodiment includes a first inlet port and associated first pump chamber, a second inlet port and associated second pump chamber, an air vent with associated hydrophobic filter and an outlet port. An incubation bag may be attached to the outlet port of each pump cassette. In a preferred embodiment, the incubation bags have bar
30 code labels. Further, the inlet tube may be provided with a breakaway closure.

A pump cassette bank may be provided in the form of a kit including a plurality of pump cassettes, each cassette having a first fluid inlet port in selective fluid communication with a first pump chamber, and an inlet tube and associated distribution tubing for connecting the inlet tube to the first
5 fluid inlet port of each of the pump cassettes. The kit may also include a plurality of incubation bags for attachment respectively to an outlet port of each of the pump cassettes. The kit may also include a four-port coupling for insertion in the distribution tubing such that the distribution tubing extends out from first and second oppositely located ports of the coupling, the first
10 fluid inlet tube is connected to a third port of the coupling and the first fluid inlet port of a middle one of the pump cassettes is coupled to a fourth port of the coupling.

In connection with developing a pneumatically operated pump cassette with pneumatically operated pump chambers and valves for use in
15 diluting anti-pathogen compound and mixing diluted anti-pathogen compound with blood, a new bezel and associated equipment was invented. In accordance with one aspect of the invention, the bezel is formed by a rigid block having a plurality of cavities on a pumping side of the block. A first depression in the pumping side of the block has at least one of the cavities
20 therein. Ribs either integral to the block or coupled to the block extend up from the depression to form an elevated contour. The ribs allow pneumatic pressure applied through the at least one cavity in the depression to be applied over the elevated contour. A bezel assembly further includes a gasket that fits over the pumping side of the bezel. Positive pressure through the
25 cavity in the depression forces the gasket away from the pumping side and negative pressure through the cavity pulls the gasket against the elevated contour of the ribs.

The elevated contour limits the movement of the gasket into the depression thus reducing the pump stroke. The elevated contour may be in
30 the shape of a mound that increases in height from a perimeter of the depression toward a higher middle of the mound. In accordance with a further aspect of the invention, the ribs extend up from a chamber wall of the

depression. Thus, removal of the ribs by milling, or otherwise, leaves an open chamber defined by the chamber wall for delivering a larger pump stroke.

The ribs of an embodiment of the invention, may be arranged to provide a symmetrical grid of air passages. The air passages may be in fluid communication with two cavities in the depression. A further embodiment of the invention may provide the bezel with a second depression. The second depression may be constructed with or without ribs.

In order to provide air pressures through the cavities of the bezel, ports in fluid communication with the cavities are accessible from the back side of the rigid block. In particular embodiments, the ports are hollow tubular structures integral with the rigid block. Further, the inner diameter of a port may be larger in size than the cavity in fluid communication therewith. The ports may provide solvent bondable tubing connections to the bezel.

BRIEF DESCRIPTION OF THE DRAWINGS

In the accompanying drawings:

FIG. 1A shows an exemplary blood processing system having a plurality of blood pumps in accordance with an embodiment of the present invention;

FIG. 1B shows an exemplary wiring diagram for one embodiment of the blood processing system shown in FIG. 1A;

FIG. 1C shows an exemplary wiring diagram for another embodiment of the blood processing system shown in FIG. 1A;

FIG. 2 shows an exemplary blood disposables set in accordance with an embodiment of the present invention;

FIG. 3A shows a front view of the pump cassette in accordance with an embodiment of the present invention;

FIG. 3B shows a rear view of the pump cassette in accordance with an embodiment of the present invention;

FIG. 4 shows a conceptual block diagram of the blood pump in accordance with an embodiment of the present invention;

FIG. 5A is an architectural flow diagram showing the relationship between the pneumatic control assembly and the other assemblies in accordance with an embodiment of the present invention;

FIG. 5B shows an exemplary embodiment of the pneumatic control assembly in accordance with an embodiment of the present invention;

FIG. 5C shows an exemplary embodiment of the air pump in accordance with an embodiment of the present invention;

FIG. 6A shows an exploded view of an exemplary front plate assembly in accordance with an embodiment of the present invention;

FIG. 6B shows a front view of an exemplary bezel in accordance with an embodiment of the present invention;

FIG. 6C shows a rear view of an exemplary bezel in accordance with an embodiment of the present invention;

FIG. 6D shows a front view of an exemplary bezel gasket in accordance with an embodiment of the present invention;

FIG. 6E shows a rear view of an exemplary bezel gasket in accordance with an embodiment of the present invention;

FIG. 6F shows a side view of the bezel of FIG. 6B;

FIG. 6G shows an end view of the bezel of FIG. 6;

FIG. 6H shows an exploded view of a bezel assembly including a rib insert for adding ribs to a bezel in accordance with an embodiment of the present invention;

FIG. 7A shows an exploded view of the door assembly in accordance with an embodiment of the present invention;

FIG. 7B shows a front perspective view of the door assembly in accordance with an embodiment of the present invention;

FIG. 7C shows a rear perspective view of the door assembly in accordance with an embodiment of the present invention, in which the cassette receptacle is in a retracted position;

FIG. 7D shows a rear perspective view of the door assembly in accordance with an embodiment of the present invention, in which the cassette receptacle is in an open position;

FIG. 7E shows a first engagement surface having an undercut, in accordance with one embodiment of the invention;

FIG. 7F shows a cross-sectional view of an exemplary door lock system with the door in contact with an occluder blade and the latch member in an unlatched position, in accordance with an embodiment of the present invention;

FIG. 7G shows a cross-sectional view of an exemplary door lock system with the door rotated inward sufficiently to overcome the occluder springs and the latch member in an unlatched position, in accordance with an embodiment of the present invention;

FIG. 7H shows a cross-sectional view of an exemplary door lock system with the door fully closed and the latch member in a latched position, in accordance with an embodiment of the present invention;

FIG. 7I is a process flow diagram describing a process for locking a door, in accordance with one embodiment of the invention;

FIG. 8 shows a side perspective view of the occluder assembly in accordance with an embodiment of the present invention;

FIG. 9 shows a cross-sectional view of an occluder in accordance with an embodiment of the present invention;

FIG. 10 shows an exploded view of the occluder assembly in accordance with an embodiment of the present invention;

FIG. 11 is a schematic diagram showing the pump cassette installed in the blood pump in accordance with an embodiment of the present invention;

FIG. 12 shows a process flow diagram describing the compounding and blood treatment process, which is coordinated by the process controller, in accordance with an embodiment of the present invention;

FIGs. 13A-B show a process flow diagram showing additional details of the blood processing operations in accordance with an embodiment of the present invention;

FIG. 14 shows a process flow diagram describing the blood pump dry CIT process in accordance with an embodiment of the present invention;

FIG. 15 shows a process flow diagram describing the blood pump working solution priming process in accordance with an embodiment of the present invention;

FIG. 16 shows a process flow diagram describing the blood pump wet
5 CIT process in accordance with an embodiment of the present invention;

FIGs. 17A-D show a process flow diagram describing the blood mixing process in accordance with an embodiment of the present invention;

FIG. 18 shows a process flow diagram describing the volumetric calibration process in accordance with an embodiment of the present
10 invention;

FIG. 19 shows a process flow diagram describing the process for manual blood pump teardown in accordance with an embodiment of the present invention; and

FIG. 20 shows a logic flow diagram showing exemplary logic 2000 for
15 mixing two liquids in accordance with an embodiment of the present invention.

DETAILED DESCRIPTION OF A PREFERRED EMBODIMENT

20 Embodiments of the present invention provide for safely and efficiently mixing two liquids. In order to mix two liquids, a first liquid is pumped into a first pump chamber of a pumping apparatus through a channel of the pumping apparatus. A second liquid is pumped from a second pump chamber of the pumping apparatus into either the channel or the first
25 pump chamber, preferably while the first liquid is being pumped into the first pump chamber. In this way, the two liquids are mixed within the pumping apparatus, and, more specifically, within the channel and/or the first pump chamber of the pumping apparatus. The second liquid is preferably pumped in a pulsatile mode in which small quantities of the second liquid are pumped
30 at intervals, for example, as described in U.S. Patent No. 6,604,908, which is hereby incorporated herein by reference in its entirety. The quantity and/or the interval can be dynamically adjusted to result in a predetermined

concentration of the two liquids. The contents of the first pump chamber are pumped to a receptacle.

FIG. 20 is a logic flow diagram showing exemplary logic 2000 for mixing two liquids in accordance with an embodiment of the present invention. Beginning in block 2002, the logic pumps a first liquid into a first pump chamber of a pumping apparatus through a channel of the pumping apparatus, in block 2004. The logic pumps a second liquid from a second pump chamber of the pumping apparatus into one of the channel and the first pump chamber so as to mix the first liquid and the second liquid within the pumping apparatus, in block 2006. The logic dynamically adjusts the amount of second liquid pumped to obtain a predetermined concentration of first liquid and second liquid, in block 2008. The logic pumps the contents of the first pump chamber into a receptacle, in block 2010. The various pumping and adjusting operations may be repeated as necessary to process a predetermined quantity of liquids. The logic 2000 ends in block 2099.

In exemplary embodiments of the present invention, the pumping apparatus is a disposable pump cassette. The pump cassette typically includes two pump chambers and various valves. The pump chambers and valves are preferably operated pneumatically.

In exemplary embodiments of the present invention, an anti-pathogen solution is mixed with a red blood cell concentrate (RBCC) to form an incubation solution for reducing pathogens in the RBCC. The anti-pathogen solution is prepared by mixing a caustic anti-pathogen compound known as PEN110 or INACTINE, which is an organic solvent with a pH over 11 that is distributed by V.I. Technologies, Inc. of Watertown, Massachusetts, with a buffer solution of sodium phosphate to a predetermined concentration (e.g., 1 part anti-pathogen compound to 99 parts buffer solution). For convenience, this mixing of anti-pathogen compound with buffer solution may be referred to hereinafter as "compounding," and an apparatus that performs such compounding may be referred to hereinafter as a "compounder" or "compounder pump." The incubation solution is prepared by mixing the anti-pathogen solution with the RBCC to a predetermined concentration (e.g., 1

part anti-pathogen solution to 9 parts RBCC), as described below. For convenience, this mixing of anti-pathogen solution with RBCC may be referred to hereinafter as "blood processing," and an apparatus that performs such blood processing may be referred to hereinafter as a "blood pump."

5

SYSTEM OVERVIEW

FIG. 1A shows an exemplary blood processing system 100 having a plurality of blood pumps in accordance with an embodiment of the present invention. Among other things, the blood processing system 100 includes a
10 single compounder pump 102 and ten essentially identical blood pumps 104 organized as two banks of five blood pumps each. The compounder pump 102 pumps buffer solution from a buffer solution container 110 into a vial of anti-pathogen compound 108. The mixture, referred to as a working solution,
15 is pumped into a working solution container 112. Each of the blood pumps 104 mixes working solution from the working solution container 112 with red blood cell concentrate (RBCC) from a RBCC container 106 to form an incubation solution that is pumped into an incubation bag 118. The incubation solution is typically allowed to incubate for some period of time,
20 after which it is rinsed to remove the anti-pathogen compound to produce a pathogen reduced blood product. The blood processing system 100 typically also includes two sterile docks 114 that are used by the operator to splice together plastic tubing as necessary for various blood processing operations. The blood processing system 100 is controlled through a user interface 116.

25 FIG. 1B shows an exemplary wiring diagram for one embodiment of the blood processing system 100. The compounder pump 102 and the blood pumps 104 are typically powered from a common 12-Volt external power supply 126, and are controlled by an external process controller 120. The process controller 120 includes the user interface 116, a computer 122, and a
30 serial port concentrator 124. The compounder pump 102 and the blood pumps 104 are in communication with the process controller 120 through the serial port concentrator 124, for example, over RS-232 communication links.

The blood processing system 100 typically includes a tubing sealer 130 for sealing plastic tubing as necessary for various blood processing operations. The blood processing system 100 typically includes an uninterruptible power supply (UPS) 128 for maintaining electrical power to the 12-Volt power supply, the process controller, and other components in the event of a primary power loss.

FIG. 1C shows an exemplary wiring diagram for another embodiment of the blood processing system 100. The blood processing system 100 may include a printer in communication with the process controller for printing out reports. The blood processing system 100 may include a card reader 134 in communication with the process controller for card-based operator identification. The blood processing system 100 may include a wireless bar code scanner base station 138 in communication with the process controller for receiving bar code information scanned using a wireless bar code scanner 136. Bar codes are typically used to track the various solution containers and the pumps on which those containers were processed.

The process controller 120 coordinates the actions of the compounder pump 102, the blood pumps 104, and the operator throughout the various mixing operations. The process controller 120 initiates high level embedded commands within the pumps to move and mix the fluids. The process controller 120 instructs the operator through the setup and teardown of each process through the user interface 116. The user interface 116 is also used to inform the operator of any anomalies that may occur during mixing operations.

When the blood processing system 100 is operating from the uninterruptible power supply 128 and at other appropriate times, the process controller 120 will prevent compounding and other pump operations from starting, although the pumps will generally be allowed to complete any ongoing operations. Furthermore, if the process controller fails, the pumps have internal logic for safely completing or terminating any ongoing operations.

BLOOD DISPOSABLES

In an exemplary embodiment of the present invention, the process controller 120 coordinates blood processing for an entire bank of five blood pumps 104 at a time. Specifically, five pump cassettes, each connected to a RBCC container and an incubation bag for receiving the incubation solution, are loaded respectively into the five blood pumps 104. The five pump cassettes are preferably connected by a single working solution inlet tube to the working solution container so that all five blood pumps draw working solution from the single working solution container. For convenience, the five interconnected pump cassettes along with their respective incubation bags and various plastic tubing may be referred to hereinafter as a "blood disposables set." The blood disposables set is preferably used for a single blood processing cycle and is then discarded.

FIG. 2 shows an exemplary blood disposables set 200 in accordance with an embodiment of the present invention. The blood disposables set 200 includes five pump cassettes 202_{1-5} , each respectively having a RBCC inlet tube 204_{1-5} connected to an RBC inlet port of the pump cassette and an incubation solution outlet tube 206_{1-5} connected to an outlet port of the pump cassette and to an incubation bag 118_{1-5} . The blood disposables set 200 also includes working solution distribution tubing 212 that connects to a working solution inlet port on each pump cassette 202_{1-5} and to a single working solution inlet tube 210 so that the working solution inlet ports of all pump cassettes 202_{1-5} are effectively connected to the single working solution inlet tube 210. The working solution inlet tube 210 preferably connects to the working solution distribution tubing 212 close to where the working solution inlet port of the middle pump cassette 202_3 connects to the tubing 212, and the working solution inlet ports of each concentric pair of pump cassettes is preferably connected to the tubing 212 a substantially equal distance from that center connection such that the working solution inlet ports of the pump cassettes 202_1 and 202_5 are essentially equidistant from the center connection

and the working solution inlet ports of the pump cassettes 202₂ and 202₄ are essentially equidistant from the center connection. Among other things, this spacing of pump cassettes along the tubing 212 facilitates priming of the pumps, as discussed below. In order to perform blood processing, each
5 RBCC inlet tube 204 is connected to a separate RBCC container 106, and the working solution inlet tube 210 is connected to the common working solution container 112. The blood disposables set 200 also includes six break-away closures 214, one on each of the RBCC inlet tubes 204 and one on the working solution inlet tube 210. In order to reduce the likelihood of confusing which
10 RBCC bag and which incubation bag is associated with each pump cassette, the RBCC inlet tubes 204 and the incubation solution outlet tubes 206 are preferably coded, for example, by alternating between color-striped and clear tubing from cassette to cassette.

FIG. 3A shows a front view of the pump cassette 202 in accordance
15 with an embodiment of the present invention. The pump cassette 202 is essentially a rigid core including formations and sealing ribs 340 constituting various pumping chambers, fluid valves, and fluid pathways (channels). The rigid core is covered on each side by a flexible membrane (e.g., a flexible PVC sheet). The flexible membranes seal against the core and isolate the blood
20 pump 104 from fluids within the cassette. The pump cassette 202 is designed to interface with the blood pump 104 in only one direction. For example, the pump cassette 202 typically includes an asymmetric feature (such as the placement of tubing) that prevents the blood pump door from closing if the pump cassette 202 is inserted incorrectly.

25 Among other things, the pump cassette 202 includes a working solution inlet port 304, an RBC inlet port 305, a vent port 307, an outlet port 308 and two pumping chambers, namely a working solution chamber 333 and an RBC chamber 334. During blood processing, working solution from the working solution container 112 is drawn into the working solution chamber
30 333 through the tubing 210 and 212 and the working solution inlet port 304, and is pumped from the working solution chamber 333 into the channel 310 while RBCC from the RBCC container 106 is drawn into the RBC chamber 334

through the RBCC inlet tube 204, the RBCC inlet port 305, and the channel 310. This causes the working solution and RBCC to be mixed within the channel 310 and the RBC chamber 334. The mixture (incubation solution) is pumped from the RBC chamber 334 to the incubation bag 118 through the outlet port 308 and the incubation solution outlet tube 206.

FIG. 3B shows a rear view of the pump cassette 202 in accordance with an embodiment of the present invention. The rear view of the pump cassette 202 shows various "volcano" valves that are used to open and close various fluid pathways within the pump cassette 202. The valves include an RBC priming valve 326, an RBC valve 328, an incubation bag valve 330, a working solution valve 332, and a working solution connection to RBC line valve 336. The volcano valves and the pumping chambers are all operated pneumatically from the rear of the pump cassette 202, as discussed below.

BLOOD PUMP

As discussed above, each blood pump 104 prepares incubation solution by mixing an anti-pathogen solution with RBCC. A disposable pump cassette 202 is used to handle the various fluids. The pump cassette 202 serves as an interface between the blood pump 104, the RBCC container 106, and the incubation bag 118 so that no working solution, RBCC, or incubation solution comes into actual contact with the components of the blood pump 104. The blood pump 104 preferably uses pneumatics to operate the pump cassette 202 as well as other components, as discussed below.

The blood pump 104 produces the incubation solution by causing working solution to be drawn into the working solution chamber 333 and pumping working solution from the working solution chamber 333 into the channel 310 while drawing RBCC into the RBC chamber 334 through the channel 310. This causes the working solution and RBCC to be mixed within the channel 310 and the RBC chamber 334. The mixture (incubation solution) is pumped from the RBC chamber 334 to the incubation bag 118 through the outlet port 308.

In a typical embodiment of the present invention, the working solution is pumped from the working solution chamber 333 using a pulsing technique in which small quantities of working solution are pumped at predetermined intervals and the pulsing of working solution is adjusted periodically using a closed feedback loop in order to produce an incubation solution having a predetermined concentration of working solution, with predetermined limits. Specifically, the working solution is delivered in a pulsatile mode where the pulse width of the exit valve on the working solution chamber is controlled. The fluid valve is pulsed at a pulse width and interval that is predetermined for each pumping stroke and is adjusted stroke-by-stroke according to the amounts of working solution and RBCC pumped, as described below. The blood pump 104 can support pulse widths above some minimum value, and the interval between pulses is increased in order to achieve an effective pulse width below the minimum value.

The blood pump 104 preferably includes a library of generic pump control (N-Pump) functions. The N-Pump library functions are used to perform various generic pumping operations such as, for example, pumping fluid into a chamber of the pump cassette, pumping fluid out of a chamber of the pump cassette, measuring the amount of fluid pumped, performing air detection, and maintaining tank pressures. The blood pump 104 preferably also includes a Fluid Logic Module (FLM) that contains higher level functions that employ the N-Pump library functions to implement application-specific functions (such as specific logic for mixing the working solution with the RBCC to produce the incubation solution).

The blood pump 104 includes one master board connected to two pump boards that together perform the N-Pump and FLM functions. The master board communicates to each of the pump boards via a multi-drop RS-485 bus. Each pump board controls a single pump chamber of the pump cassette 202 and the valves on its board.

FIG. 4 shows a conceptual block diagram of the blood pump 104 in accordance with an embodiment of the present invention. Among other things, the blood pump 104 includes a door assembly 402, an occluder

assembly 404, a front plate assembly 408, a pneumatic control assembly 410, a power/communication interface 412 including connectors for the 12-Volt power supply and the RS-232 communication link to the process controller 120, and chassis components 414. Each of these assemblies is discussed
5 below.

PNEUMATIC CONTROL ASSEMBLY

The pneumatic control assembly 410 provides positive and negative air
10 pressure for operating the various other pneumatically controlled components and also acts as the general controller for the blood pump 104. The pneumatic control assembly 410 contains three electromechanical pump module assemblies, namely a tank management module assembly and two chamber module assemblies (one for the working solution pump chamber
15 and one for the RBC pump chamber). Each pump module assembly includes an aluminum manifold, pneumatic valves, pneumatic fittings, a valve interface board, and an electronics board that includes pressure transducers and a dedicated microprocessor. The tank management module assembly handles all communication between the blood pump and the process
20 controller 120, synchronizes pumping of the chamber module assemblies, maintains positive and negative air pressure in various accumulators, seals and unseals the door assembly, engages and disengages the occluders, monitors the door open/closed status, and monitors the air-in-line sensor, as described below. Each chamber management assembly controls a separate
25 one of the pump chambers, and also controls the fluid valves associated with the pump chamber and measures the volume of liquids pumped through the pump chamber.

FIG. 5A is an architectural flow diagram showing the relationship
between the pneumatic control assembly 410 and the other assemblies in
30 accordance with an embodiment of the present invention. In this figure, the pneumatic control assembly 410 is represented by master module 512, accumulator assembly 513, working solution pump module 514, and RBCC

pump module 515. The air pump 511 is considered to be one of the chassis components 414. The air pump 511 generates high and low air pressure for the master module 512, which stores high and low air pressure in the accumulator assembly 513. The pneumatic control assembly 410 directs air
5 pressure (positive and negative) to the various pneumatic mechanisms of the pump. The master module 512 pneumatically controls bladders in the occluder assembly 404 and a bladder in the door assembly 402, as discussed below. The master module 512 provides high and low air pressure to the working solution pump module 514 and the RBCC pump module 515. The
10 working solution pump module 514 controls the working solution chamber 333 and associated valves of the pump cassette 202 through the front plate assembly 408, and the RBCC pump module 515 controls the RBC chamber 334 and associated valves of the pump cassette 202 through the front plate assembly 408, as described below.

15 FIG. 5B shows an exemplary embodiment of the pneumatic control assembly 410 in accordance with an embodiment of the present invention. Among other things, the pneumatic control assembly 410 includes manifold mounting bracket 502, a negative pressure accumulator (pressure bottle) 513a, a positive pressure accumulator (pressure bottle) 513b, a manual door vent
20 mechanism 503, the Tank Management Module Assembly 512, the two Chamber Module Assemblies 514 and 515, and associated tubing and fittings.

The tank management module 512 includes an input/output (I/O) board, a CPU board, a valve-interface board, a pneumatic manifold system, pneumatic valves, pressure transducers 2-vent covers (mufflers), stand-offs,
25 and associated tubing and fittings. The tank management module 512 is used to control the pressures in the accumulators 513, a bladder in the door assembly 402, and bladders in the occluder assembly 404. The I/O board contains electrical controls for controlling LEDs that provide status
30 pressures of the accumulators 513 and the bladder in the door assembly 402.

In the un-powered state, the pneumatic valve that controls flow to the bladder in the door assembly 402 preferably shuts closed. This prevents the door from being opened in the event of a loss of power.

In the un-powered state, the pneumatic valves that control flow to the
5 bladders in the occluder assembly 404 are preferably channeled to vent. This causes the occluders to occlude the tubing to prevent further flow of fluid through the tubing, as discussed below.

Each chamber module 514 and 515 includes a CPU board, a valve interface board, pneumatic manifold system, pneumatic valves (including a
10 VSO (variable) valve), a VSX chamber (504 and 505 respectively), O-ring, copper mesh, vent cover (muffler), stand-offs, pressure transducers, and associated tubing and fittings. Each chamber module assembly controls the pneumatics for one of the pumping chambers and its associated valves. The VSX chambers 504 and 505 act as reference volumes in order to measure the
15 volume of fluid that is delivered with the FMS system. The pressure transducers are used to monitor the pressure of the VSX chamber, and of the pumping chamber. The positive pneumatic system contains a pressure relief valve to prevent the air pump from pressurizing the positive system to greater than 16.0 psig.

In the un-powered state, all of the pneumatic valves preferably open
20 the fluid valves to the positive pressure line. This ensures that the fluid valves are closed if there is a loss of power.

The blood pump 104 typically includes three microprocessor systems, one on the tank management module 512 and one on each of the chamber
25 modules 514 and 515. These three microprocessor systems monitor each other for normal operation. Each microprocessor system also monitors key internal processes and data for validity. If any of these monitors fail, a failsafe line permits any of the three processors to stop pumping operations, close all of the fluid valves and occluder, and send an anomaly signal to the process
30 controller. If the blood pump 104 detects an anomaly with the commands received from the process controller (e.g., commands received out of

sequence), then the blood pump 104 will stop fluid flow and send an anomaly signal to the process controller.

FIG. 5C shows an exemplary embodiment of the air pump 511 in accordance with an embodiment of the present invention. The air pump 511 includes a pump motor 591 mounted to a pump plate 592 using double-sided
5 tape 594 and two miniature nylon cable ties 595. Four ribbed isolator grommets 593 are inserted into corresponding openings in the pump plate 592.

10 FRONT PLATE ASSEMBLY

The front plate assembly 408 includes all necessary pneumatic pathways to interface to the disposable pump cassette 202. The front plate assembly 408 includes a bezel and a bezel gasket through which the pump
15 cassette 202 is operated. During operation of the blood pump 104, the pump cassette 202 is positioned in the door assembly 402 and is pressed against the front plate assembly 408 in alignment with the bezel and bezel gasket by a bladder in the door assembly 402, as discussed below. Air lines connected to the bezel from the pneumatic control assembly 410 are used to displace
20 membranes of the bezel gasket to operate the various valves and chambers of the pump cassette 202.

FIG. 6A shows an exploded view of an exemplary front plate assembly 408 in accordance with an embodiment of the present invention. Among other things, the front plate assembly 408 includes a rigid front plate 602 to
25 which are mounted a bezel 604, chamber foam 606, spacer 608, air-in-line sensor 610, bezel gasket 612, gasket retainer 614, hardware 616, dowel pins 618, and grommet 620. The bezel 604, chamber foam 606, and bezel gasket 612 are mounted to the front plate 602 by the gasket retainer 614 and associated hardware 616, forming a bezel assembly. This bezel assembly is
30 used to control pumping and mixing of fluids using the pump cassette 202, as described below. The front plate 602 includes holes for allowing air tubes to pass between the rear of the bezel 604 and the pneumatic control assembly

410, which is typically situated behind the front plate 602. The front plate 602 also includes openings for occluder blades and for engaging a door latch mechanism, as described below. The air-in-line sensor 610 is positioned so as to align with and engage the RBCC inlet tube 204, and is used during blood
5 processing to detect air in the RBCC inlet tube 204 indicating that there is no more RBCC to be processed.

FIG. 6B shows a front view of an exemplary bezel 604 in accordance with an embodiment of the present invention. The bezel 604 is preferably a molded polycarbonate/ABS unit including, among other things, a working
10 solution chamber cavity 633 for operating the working solution chamber 333 of the pump cassette 202, an RBC chamber cavity 634 for operating the RBC chamber 334 of the pump cassette 202, and various valve cavities 635 for operating the various valves of the pump cassette 202. Each of the chamber cavities 633 and 634 typically includes two air holes 638 through which air is
15 pumped into and out of the chamber cavity. The working solution chamber cavity 633 is preferably molded with rib structures 636 that allow for airflow within the working solution chamber cavity 633 but mechanically restrict the amount of working solution that can be drawn into the working solution chamber 333 of the pump cassette 202. The compounder 102 preferably uses
20 the same molded bezel 604 as the blood pump 104, but with the rib structures 636 removed (e.g., by precision machining) to allow for greater pumping capacity.

The elevated contour of the ribs 636 limits the pump stroke volume, making the ribbed depression suitable for actuating the working solution
25 chamber of the pump cassette. The bezel gasket 612 fits over the pumping side of the rigid block sealing the air paths. As positive pressure is applied through one or more cavities into the depression beneath the ribs, the gasket membrane covering the ribs is forced away from the pumping side to push against the working solution chamber. When negative pressure is applied
30 through the one or more cavities, the gasket membrane is pulled against the elevated contour of the ribs pulling a small amount of working solution into the working solution chamber.

Referring with greater particularity to the rib structures 636 of the preferred embodiment, it is noted that the rib structures 636 are arranged so as to provide a symmetrical grid of air passages. Moreover, the elevated contour may be in the shape of a mound that increases in height from a perimeter of the depression to a middle of the mound as seen in FIGS. 6F and 6G. The depression has two cavities therein and the ribs 636 provide a plurality of air passages between the two cavities. In the particular arrangement, the ribs 636 leave a straight air passage unobstructed at each of the two cavities, such that at each of the two cavities the respective straight air passage connects the cavity to the plurality of air passages between the two cavities. The ribs 636 and the air passages formed thereby run parallel to the perimeter of the depression. In this case, the depression is oval shaped and the ribs are aligned with the perimeter. It is desirable for the arrangement of ribs to distribute the air pressure in a relatively even manner across the elevated contour to provide an evenly distributed pull and push against the working solution chamber.

The bezel 604 includes a second depression with two cavities for operating the RBC chamber of the pump cassette 202. This depression lacks ribs allowing for a larger volume to be pulled and pushed through the RBC chamber in each stroke as compared to the working solution chamber. The bezel 604 further includes various valve cavities for operating the various valves of the pump cassette 202.

FIG. 6C shows a rear view of the bezel 604 in accordance with an embodiment of the present invention. The bezel 604 includes integral solvent bondable tubing connections (ports) 637 to which pneumatic tubing from the pneumatic control assembly 410 are connected. In this embodiment, each of the valve cavities 635 is associated with a single integral port 637, and each of the chamber cavities 633 and 634 are associated with two integral ports 637. The integral ports 637 allow the pneumatic connections to be made without independent fittings and accompanying O-rings.

Unlike the blood pump, the compounder requires a bezel with two full volume depressions. In accordance with an embodiment of the present

invention, the bezel 604 is designed so that the single molded rigid block can also be used as the compounder bezel, specifically by removing the ribs 636. Removal of the ribs leaves an open chamber. The ribs may be removed from the molded bezel by precision machining, such as milling.

5 Although the ribs are preferably molded or otherwise integral to the bezel and are removable if needed, a ribbed bezel assembly can alternatively be formed by coupling a rib insert into a depression of the bezel. The rib insert would typically be configured substantially as shown and described above, but would be a separate component. The rib insert could be coupled
10 into a depression of the bezel in any of a variety of ways. For example, the rib insert could be snapped into the depression, for example using tabs on the rib insert that are engaged by corresponding slots on the bezel, or the rib insert could be glued or otherwise attached to the bezel.

FIG. 6H shows an exploded view of a bezel assembly including a rib
15 insert in accordance with an embodiment of the present invention. The bezel includes an open depression 698. The rib insert 698 is coupled to the bezel so as to fit within the depression 698. The rib insert 699 is typically shaped to match the contour of the depression, and the ribs typically extend above the surface of the bezel.

20 FIG. 6D shows a front view of an exemplary bezel gasket 612 in accordance with an embodiment of the present invention. The bezel gasket 612 fits over the front of the bezel 604 and acts as an interface between the bezel 604 and the pump cassette 202 for sealing the fluid paths of the pump cassette 202 and for actuating the chambers and valves of the pump cassette
25 202. The pump cassette 202 is pressed firmly against the front side of the bezel gasket 612 during blood processing in order to produce an air-tight seal between the bezel gasket 612 and the pump cassette 202. The bezel gasket 612 includes membranes that correspond to the chamber cavities and valve cavities. Positive and negative air pressure produced through the bezel
30 cavities operate on the bezel gasket membranes, which in turn operate on the chambers and valves of the pump cassette 202.

FIG. 6E shows a rear view of an exemplary bezel gasket 612 in accordance with an embodiment of the present invention. The rear side of the bezel gasket 612 contacts the front side of the bezel 604, and is pressed firmly against the bezel 604 during blood processing in order to produce an air-tight seal. The bezel gasket 612 includes membranes that correspond to the chamber cavities and valve cavities. Positive and negative air pressure produced through the bezel cavities operate on the bezel gasket membranes, which in turn operate on the chambers and valves of the pump cassette 202.

10 DOOR ASSEMBLY

The door assembly 402 mounts to the front plate assembly 408, and provides a means to load and align the disposable pump cassette 202 within the blood pump 104. The door assembly 402 provides a force on the pump cassette 202 against the bezel assembly of the front plate assembly 408 in order to provide sealing of the cassette's fluid paths and valves. The door assembly 402 includes a special latch system that helps maintain the seal, and also helps prevent accidental opening of the door during blood processing, as described in greater detail below. The door assembly 402 also provides a surface for the occluders to function against, as described below.

FIG. 7A shows an exploded view of the door assembly 402 in accordance with an embodiment of the present invention. Among other things, the door assembly 402 includes a door cowl 701, a latch spring post 702, a door latch 703, a cassette receptacle 704, a back plate 705, a latch pin 706, a bladder 707 with an attached pneumatic circuit 730, a frame 708, a door pin 709, a door mounting bracket 710, a piston assembly 711 including a piston plate 731 and a piston cover 732, a human interface board assembly 712, double coated tape 713, a miniature cable tie 714, recessed bumpers 715, E-rings 722, cable tie mount 723, torsion springs 724 and 725, extension spring 726, a cassette orientation tab 799, and various screws 716, 717, 718, 719, 720, and 721. The human interface board assembly 712 is mounted to the inside of the door cowl 701. The piston assembly 711 includes a rigid plate 731 having

a protrusion that is covered by the piston cover 732. The bladder 707, double coated tape 713, and piston assembly 711 are sandwiched between the back plate 705 and the frame 708, which are mechanically coupled together to form a frame assembly 750. The door latch 703 is positioned so that a handle
5 portion is accessible from a front side of the door cowl 701. The frame assembly 750 is mounted to the inside of the door cowl 701 so that a latch portion of the door latch 703 protrudes through the frame assembly 750 and the frame assembly 750 holds the door latch 703 in place.. The cassette
10 receptacle 704 is pivotally mounted to the frame 708 using the door mounting bracket 710, the door pin 709, and the E-rings 722. Recessed bumpers 715 reduce strain on the door if the door is opened too far or with excessive force. The torsion springs 724 and 725 aid the operator in closing the door, as the door has considerable weight due to the many components. The cassette orientation tab 799 prevents the door from being closed if the pump cassette is
15 oriented incorrectly in the cassette receptacle 704.

The bladder 707 is coupled to, and controlled by, a pneumatic circuit 730 that provides positive and/or negative air pressure to the bladder 707. Positive pressure supplied to the bladder 707 causes the bladder 707 to expand in the direction of the frame 708. This, in turn, causes the entire
20 piston assembly 711 to move toward the control assembly 408, such that the piston cover 732 presses against the pump cassette 202 and/or cassette receptacle 704, thereby producing an outward force on the door 402 away from the control assembly 408. Alternatively, supplying negative pressure to the bladder 707 causes the piston assembly 711 to move away from the pump
25 cassette 202 and/or cassette receptacle 704, thereby reducing the outward force on the door 402 away from the control assembly 408.

The door assembly is designed to permit single-handed operation, specifically by pulling up on the handle. However, the door latch 703 is designed so that the door cannot be easily opened when the pump cassette is
30 in place in the cassette receptacle 704 with the door closed and the bladder 707 is inflated. Specifically, the latch portions of the door latch 703 have undercuts that are engaged by recesses in the front plate assembly 408. When

the pump cassette is in place in the cassette receptacle 704 with the door closed and the bladder 707 is inflated so as to push the pump cassette against the bezel components of the front plate assembly 408, a sufficient force is generated between the door assembly 402 and the front plate assembly 408 to prevent the door handle from being easily lifted. This door locking mechanism is described in greater detail below.

FIG. 7B shows a front perspective view of the door assembly 402 in accordance with an embodiment of the present invention. The human interface board assembly 712 having LEDs and the handle portion of the door latch 703 are visible from the front of the door cowl 701. A portion of the cassette receptacle 704 and a portion of the pneumatic circuit 730 are also visible.

FIG. 7C shows a rear perspective view of the door assembly 402 in accordance with an embodiment of the present invention, in which the cassette receptacle 704 is in a retracted position. Visible at the rear of the door cowl 701 are the frame 708, the latch portion of the door latch 703, the cassette receptacle 704, the piston assembly 711, the door mounting bracket 710, the torsion springs 724 and 725, a portion of the human interface board assembly 712, and a portion of the pneumatic circuit 730.

FIG. 7D shows a rear perspective view of the door assembly 402 in accordance with an embodiment of the present invention, in which the cassette receptacle 704 is in an open position. Visible at the rear of the door cowl 701 are the frame 708, the latch portion of the door latch 703, the cassette receptacle 704, the piston assembly 711, the door mounting bracket 710, the torsion springs 724 and 725, a portion of the human interface board assembly 712, and a portion of the pneumatic circuit 730.

As shown in FIG. 7E, the front plate assembly 408 includes a latching structure 9220 for engaging the latch member 703. The latching structure 9220 has an undercut feature forming surfaces 9221 and 9222. Similarly, the latch member 703 has an undercut feature forming surfaces 9223 and 9224. In order to close the door, the door must be rotated inward past its locking position such that surface 9225 travels beyond surface 9222, at which point the

latch member 703 can be rotated upward such that the surface 9223 travels above surface 9221. When the door 402 is closed, the latch member 703 is engaged by the latching structure 9220 such that the surface 9223 overlaps the surface 9221. Opposing forces are placed on the latch member 703 and the front plate assembly 408 such that the surfaces 9222 and 9224 are forced toward one another. With the latch member 703 so engaged, the surface 9221 prevents the latch member 703 from being rotated or otherwise displaced downward due to contact with the surface 9223 and therefore prevents disengagement of the latch member 703 from the latching structure 9220.

When the opposing forces are removed or overcome, the door 402 and latch member 703 can be pushed inward toward the front plate assembly 408 until the surface 9223 no longer overlaps the surface 9221 and the latch member 703 can be rotated or otherwise displaced downward to as to disengage the latch member 703 from the latching structure 9220.

As discussed above, the door must typically be rotated inward past its locking position in order to close and open the door. In order to lock the door when the door is closed, a force is applied by a movable member such that the latch member is locked against the latching structure. Among other things, the movable member prevents or otherwise restricts inward rotation of the door, making it difficult or impossible to open the door when it is locked.

As discussed below, the assembly 104 typically includes an occluder assembly for occluding one or more pliable plastic tubes coupled to the pump cassette. The occluder assembly is typically attached to the back of the front plate assembly 408, and includes one or more occluder blades that protrude through openings in the front plate assembly 408 and make contact with corresponding structures on the door assembly 402 when the door 402 is in a closed position. Each occluder blade is typically spring loaded and is pneumatically controlled to permit extension and retraction of the occluder blade. In exemplary embodiments of the invention, each occluder blade is held in an extended position by a flat spring and is retracted by inflating a bladder positioned under the spring so as to deflect, and thereby shorten the effective length of, the spring.

In typical embodiments of the invention, the occluder blades are positioned so that, when they are in an extended position, they make contact with the door 402 before the latch member 703 is engaged by the latching structure 9220. In order to close or open the door, the door 402 must be rotated inward toward the front plate assembly 408 beyond the extended position of the occluder blades. The occluder blades can be retracted to facilitate closing and opening of the door. If, however, the occluder blades are not retracted (for example, due to a loss of power), then the door 402 must be rotated inward toward the front plate assembly 408 with a force sufficient to overcome the occluder springs and deflect the occluder blades inward in order to close or open the door.

FIG. 7F shows a cross-sectional view of an exemplary door lock system with the door 402 in contact with an occluder blade 814 and the latch member 703 in an unlatched position, in accordance with an embodiment of the present invention. The occluder blade 814 is a component of an occluder assembly 404 that is attached to a back side of the front plate assembly 408, with the occluder blade 814 protruding through a slot in the front plate assembly 408. The occluder blade 814, which is spring loaded, prevents the door 402 from closing and latching unless and until the door 402 is rotated inward with sufficient force to overcome the occluder spring.

FIG. 7G shows a cross-sectional view of an exemplary door lock system with the door 402 rotated inward sufficiently to overcome the occluder springs and the latch member 703 in an unlatched position, in accordance with an embodiment of the present invention. The occluder blade 814 is shown in its fully extended position so as to demonstrate the amount of door rotation needed to overcome the occluder springs.

FIG. 7H shows a cross-sectional view of an exemplary door lock system with the door fully closed and the latch member in a latched position, in accordance with an embodiment of the present invention. In this position, the latch member 703 is fully engaged by the latching structure 9220 of the front plate assembly 408, and the occluder blade 814 is deflected inward. In order to open the door 402 from this position, the door 402 must be rotated inward

until the surface 9223 no longer overlaps the surface 9221, at which time the handle 742 can be lifted, causing the latch member 703 to rotate downward clear of the latching structure 9220.

FIG. 7I shows a process for locking the door 402, in accordance with an embodiment of the present invention. In block 8472, the assembly 104 including the front plate assembly 408 and the attached door assembly 402 is provided. As shown in FIG. 7E, the front plate assembly 408 includes a latching structure 9220 having an undercut feature defining surfaces 9221 and 9222, and the door assembly 402 includes a latch member 703 including an undercut feature defining surfaces 9223 and 9224.

The process continues by checking if the door 402 is open, in block 8474. If the door 402 is open, the door 402 is closed in block 8476. As discussed above, the door 402 is preferably closed by rotating the door 402 inward toward the front plate assembly 408 with sufficient force to overcome the force of the occluders until the latching structure 9220 engages the latch member 703 such that the surface 9223 overlaps the surface 9221. Closing the door 402 may be facilitated by rotating the latch member 703 downward (e.g., by pulling up on the handle 742) while rotating the door 402 inward. The latch member 703 is preferably spring loaded, allowing the latch member 703 to engage with the latching structure 9220 when the door 402 is rotate inward sufficiently.

When the door 402 is closed (or if the door 402 was already closed), the process continues by moving a movable member against at least one of the door 402 and the front plate assembly 408, in block 8478. In exemplary embodiments of the invention, the movable member includes an inflatable bladder that is situated in the door 402 and, when inflated, pushes the door 402 outward away from the front plate assembly 408. The movable member causes the surfaces 9222 and 9224 to be forced toward one another. With the latch member 703 so engaged, the surface 9221 prevents the latch member 703 from being rotated or otherwise displaced downward due to contact with the surface 9223 and therefore prevents disengagement the latch member 703

from the latching structure 9220. Opening of the door 402 by accidental or inappropriate manipulation of the handle 742 is thus prevented.

5 OCCLUDER ASSEMBLY

The occluder assembly 404 mounts to the back of the front plate assembly 408, and is used to selectively occlude the RBCC inlet tube 204, the incubation solution outlet tube 206, and the working solution distribution
10 tube 212 as needed for testing, blood processing, and protection in the event of a failure. In the blood pump 104, the occluder assembly 404 includes two occluders, one operating on both the RBCC inlet tube 204 and the incubation solution outlet tube 206, and the other operating on the working solution distribution tube 212. The occluders are controlled pneumatically, and can be
15 controlled independently.

In a typical embodiment of the present invention, each occluder includes an occluder blade that is operated by a flat spring and an inflatable bladder. The occluder blade is coupled to one end of the spring. When the bladder is deflated, the spring extends the occluder blade into an occluding
20 position, which blocks the passage of fluid through the tube(s). When the bladder is inflated, the bladder bends the spring so as to retract the occluder blade from the occluding position, which enables the passage of fluid through the tube(s). In the event of a loss of pneumatics, the occluder defaults to the occluded position so as to prevent fluid from passing through the tubing.

FIG. 8 shows a side perspective view of the occluder assembly 404 in
25 accordance with an embodiment of the present invention. The occluder assembly 404 includes, among other things, a bottom housing 801, a top housing 802, a first occluder having an occluder blade 813 and other components operated pneumatically through tube 803, and a second occluder
30 having an occluder blade 814 and other components operated pneumatically through tube 804. The occluder assembly 404 is mounted to the front plate assembly 408, with the occluder blades 813 and 814 protruding through slots

in the front plate assembly 804. The tubes 803 and 804 are connected to the pneumatic control assembly 410.

FIG. 9 shows a cross-sectional view of an occluder in accordance with an embodiment of the present invention. Among other things, the occluder includes a flat occluder spring 812 having a rear end coupled to the top housing 802 and a front end coupled to the occluder blade 814, a bladder 808 situated between the top housing 802 and the spring 812, the tube 804 coupled to the bladder 808, and an adjuster 810 for adjusting the protrusion of the occluder blade 814. When the bladder 808 is inflated, the occluder spring 812 is deflected downward at the middle so as to shorten the effective length of the occluder spring 812 and retract the occluder blade 814. When the bladder 808 is deflated, the occluder spring 812 extends flat and therefore extends the occluder blade 814. The occluder blade 814 moves within guides (not shown) that allow the spring to extend and retract the occluder blade 814.

FIG. 10 shows an exploded view of the occluder assembly 404 in accordance with an embodiment of the present invention. Among other things, the occluder assembly 404 includes enclosure top 802, enclosure bottom 810, a first occluder including an occluder blade 813, a shaft 821, a front bracket 819, a rear bracket 817, a bladder 809, and a tube 803, and a second occluder including an occluder blade 814, a shaft 820, a front bracket 818, a rear bracket 816, a bladder 808, and a tube 804. The occluder blade 813 mounts to the front bracket 819 via the shaft 821, while the occluder blade 814 mounts to the front bracket 818 via the shaft 820. The rear brackets 816 and 817 are mounted to the enclosure top 802 via shaft 825, blocks 826 and 827, and clamps 828 and 829. The rear brackets 816 and 817 are held in a substantially fixed position, although the rear brackets 816 and 817 are able to rotate about the shaft 825 as needed for operation of the occluders. The front bracket 819 is mounted to the enclosure top 802 via shaft 821 and sliding blocks 823 and 824, while the front bracket 818 is mounted to the enclosure top 802 via shaft 820 and sliding blocks 822 and 823. The front brackets 818 and 819 are able to slide forward and backward along channels formed in the sliding blocks 822, 823, and 824 as needed for operation of the occluders.

Thus, the blocks 826 and 827 constrain the position of the occluder blades and act as bearing surfaces as the rear shaft rotates, and the sliding blocks 822, 823, and 824 act as bearing surfaces for the front shafts as the occluder blades are actuated and released. It should be noted that the present invention is not
5 limited to the block-type bearings shown, but rather various types of bushings, bearings, fixed blocks, moving blocks, or any combination thereof could be used to permit rotation of the rear shafts and/or brackets and translational movement of the front shafts. The occluder blades 813 and 814 can be manually retracted if necessary. The edge of the occluder blades 813
10 and 814 that engages the tubing are typically rounded so as not to cut or crease the tubing.

CHASSIS COMPONENTS

15 The chassis components 414 include various mechanical hardware components that are not considered part of the other assemblies. Among other things, the chassis components 414 include the DC air pump 511, a chassis base, a door sensor (and cable), mounting foot grommets, skins (housing), and associated hardware and fasteners. The housing includes a
20 mounting point, on the back of the unit, for the manual piston bladder (door) vent 503.

PUMP CASSETTE HANDLING

25 FIG. 11 is a schematic diagram showing the pump cassette 202 installed in the blood pump 104 in accordance with an embodiment of the present invention. The pump cassette 202 is installed in the cassette receptacle 704. The door assembly 402 will only close if the pump cassette 202 is oriented correctly in the cassette receptacle 704, and will not close if the pump cassette
30 202 is inserted backwards so that the tubing connected to the pump cassette 202 does not align with corresponding channels in the door latch 703. When the door assembly 402 is closed and the bladder in the door assembly 402 is

inflated, the pump cassette 202 is pressed tightly against the bezel gasket 612 and gasket retainer 614 on the front panel assembly 408, the RBCC inlet tube 204 is captured by the air-in-line sensor 610 on the front plate assembly 408, the occluder blade 813 aligns with and occludes the working solution
5 distribution tube 212, and the occluder blade 814 aligns with and occludes both the RBCC inlet tube 204 and the incubation solution outlet tube 206.

BLOOD PROCESSING

10 As discussed above, the compounder 102 and the blood pumps 104 operate under control of the process controller 120. In exemplary embodiments of the present invention, introduction of the anti-pathogen compound into the RBCC is performed in two stages, a first stage in which the anti-pathogen compound is mixed with buffer solution to a first
15 concentration to form the working solution, and a second stage in which the working solution is mixed with the RBCC to a second concentration to form the incubation solution.

FIG. 12 shows a process flow diagram describing the compounding and blood treatment process, which is coordinated by the process controller
20 120, in accordance with an embodiment of the present invention. Rectangular blocks indicate commands sent to the pump by the process controller 120. Rounded blocks indicate instructions sent to the operator by the process control 120.

The process starts in block 1201. In block 1202, the process controller
25 instructs the operator to load and scan a compounder disposable set. After the compounder disposable set is loaded into the compounder, the process controller instructs the compounder to run a dry cassette integrity test (CIT) in block 1203. Assuming the dry CIT is acceptable, the process controller instructs the operator to hang, scan, and connect the buffer solution bag so
30 that the buffer solution bag is connected to the inlet port of the pump cassette, in block 1204. The process controller then instructs the compounder to prime the compounder disposable set, in block 1205. The process controller then

instructs the compounder to run a wet CIT, in block 1206. Assuming the wet CIT is acceptable, the process controller then instructs the operator to scan and load the vial assembly and spike receptacle into the vial spike assembly, in block 1207. The process controller then instructs the compounder to spike
5 the vial, in block 1208. Once spiking is completed, the process controller instructs the compounder to perform the compounding operation, in block 1209.

After compounding is complete, the process controller coordinates "teardown" of the compounder for removal and disposal of the compounder
10 disposable set from the compounder. Specifically, with reference again to FIG. 12, the process controller instructs the operator to heat seal the working solution line, in block 1235, and then agitate and invert the working solution bag, in block 1214. The process controller then instructs the operator to heat seal the buffer solution line, in block 1227. The process controller then
15 instructs the operator to clamp the lines leading to the vial, in block 1228. The process controller then instructs the compounder to release the compounder door, in block 1231, which is accomplished by deflating the bladder in the door assembly. The process controller then instructs the compounder to release the bladder pressure on the vial spike (piston), in block 1232. The
20 process controller then instructs the operator to remove the compounder disposables from the compounder 1233.

After compounder "teardown" is complete, the process controller coordinates the blood processing operations in which the RBCC is mixed with working solution by the blood pumps 104 in order to produce the incubation
25 solutions. Specifically, in block 1210, the process controller 120 instructs the operator to load and scan a blood disposables set in one of the banks of blood pumps 104. The process controller 120 may instruct the operator to scan, for each blood pump, the RBCC bag 106, the blood pump 104, and the incubation bag 118. The process controller 120 stores this information so that there is a
30 correlation between each blood pump 104 and the solutions processed and produced by it. This information can be used, for example, to identify all

incubation solutions produced by a particular blood pump 104 if the blood pump 104 is found to be defective.

After the blood disposables set is loaded, the process controller 120 instructs the blood pumps 120 to perform a dry CIT, in block 1212. The dry
5 CIT operation is described in more detail with reference to FIG. 14 below. Assuming the dry CIT is successful, the process controller 120 then instructs the operator to connect the working solution inlet tube 210 of the blood disposables set to the working solution bag 112 using the sterile dock 114, in
10 block 1213, and open the break-away closure on the working solution inlet tube 210, in block 1215. The process controller 120 then coordinates working solution priming of the blood pumps 104, in block 1216, and then performs a wet CIT on each of the blood pumps 104, in block 1217. The priming and wet CIT operations are described in more detail respectively with reference to
15 FIGs. 15 and 16 below. Assuming the wet CIT is successful, the process controller 120 instructs the operator to open the break-away closures on the RBCC inlet tubes 204, in block 1218. These break-away closures are not opened earlier in order to prevent contamination of the blood in case of a blood pump failure.

After the break-away closures are opened, the process controller 120
20 instructs the blood pumps 104 to mix the RBCC with the working solution to produce the incubation solutions, in block 1219. The blood mixing operation is described in more detail with reference to FIG. 17 below.

After blood mixing is complete, the process controller 120 instructs the operator to heat seal the incubation solution outlet tubes 206, in block 1220,
25 and to heat seal the working solution distribution tubes 212, in block 1221. The process controller 120 then instructs the blood pumps 104 to test the heat seal on the incubation solution outlet tubes 206, in block 1223. Assuming the tubes are sealed, the process controller 120 instructs the blood pumps 104 to release their respective doors, in block 1224. The process controller 120 then
30 instructs the operator to remove the incubation bags 118, in block 1225, and to tear down the blood disposables set, in block 1226.

If there is enough working solution remaining for another blood processing cycle, then the process may recycle to block 1210 to coordinate blood processing operations for another bank of blood pumps. If and when the working solution has expired or there is not enough working solution remaining for another blood processing cycle, then the process controller typically instructs the operator to remove the working solution bag, in block 1236. The process ends in block 1234.

FIGs. 13A-B show a process flow diagram showing additional details of the blood processing operations in accordance with an embodiment of the present invention. The process begins in block 1301. A check is first made to confirm that the bank of blood pumps 104 is configured properly, in block 1302. This involves, among other things, confirming that there is communication between the process controller 120 and the five blood pumps 104, confirming that all five blood pumps 104 are configured to operate as blood pumps, and confirming that all five blood pumps 104 contain the correct version of embedded software. The process enters anomaly handling, in block 1303, if the bank is not configured properly.

If the bank is configured properly, then a determination is made as to whether there is a sufficient quantity of working solution and a sufficient amount of time for performing the blood processing operation, in block 1304. If there is no working solution, then the compounder setup and process operation is performed, in block 1308. If there is an insufficient amount of working solution, then the compounder teardown operation is performed, in block 1305, and, in block 1306, the operator is given the option to either terminate the blood processing operation, in which case the process ends in block 1333, or continue the blood processing operation, in which case the compounder setup and process operation is performed, in block 1308.

If there is a sufficient quantity of working solution in block 1304, or after working solution is prepared in block 1308, the blood disposables set is loaded into the blood pumps 104. If the occluders are engaged, in block 1309, then the door is unsealed, in block 1310. Once the door is unsealed, the operator is instructed to load the blood disposables set, in block 1311, and to

close the door. When the door is confirmed to be closed, in block 1314, the operator is instructed to scan the RBCC bags, blood pumps, and incubation solution bags, in block 1313. When scanning is complete, in block 1314, the blood pumps 104 are instructed to seal their respective doors, in block 1315. If
5 a door is unable to be sealed, then the process enters anomaly handling, in block 1316, which typically includes instructing the operator to reload the pump cassette.. If the door is able to be sealed, then the blood pumps 104 are instructed to perform the dry CIT, in block 1317. If the dry CIT fails, then the process enters anomaly handling, in block 1318, which typically involves
10 instructing the operator to reload the pump cassette and running the dry CIT again. If the dry CIT passes, then the operator is instructed to connect the working solution inlet tube 210 to the working solution bag 112 using the sterile dock and to open the break-away closure on the working solution line, in block 1319. The blood pumps 104 are then instructed to perform the
15 priming process, in block 1320. If the priming process fails, then the process enters anomaly handling, in block 1320. If priming is successful, then the blood pumps 104 are instructed to perform the wet CIT, in block 1322. If the wet CIT fails, then the process enters anomaly handling, in block 1323. If the wet CIT passes, then the operator is instructed to open the break-away
20 closures on the RBCC inlet tubes, in block 1324. The blood pumps 104 are then instructed to mix the RBCC and the working solution to form incubation solution, in block 1325. If there is a failure during mixing, then the process enters anomaly handling, in block 1326.

Assuming blood processing is successful, the operator is instructed to
25 heat seal the incubation and working solution lines, in block 1327. The blood units 104 are then instructed to test the seal on the incubation line, in block 1328. If the test fails, then the process enters anomaly handling, in block 1329. Assuming the incubation line is sealed, then the blood pumps 104 are instructed to release their respective doors, in block 1330, after which the
30 operator is instructed to teardown the blood disposables set, in block 1331. A closed-case file is prepared, in block 1332. The process ends in block 1333.

BLOOD PUMP DRY CASSETTE INTEGRITY TEST

The dry cassette integrity test (CIT) is used to identify air leaks in the cassette membranes prior to pumping any fluids. Identifying a cassette with a
5 membrane hole will protect the RBCC from being contaminated by a potentially non-sterile cassette, and will reduce the potential of pumping fluid into the blood unit itself. Also, at the time of the dry CIT, an internal pressure transducer calibration check is performed in order to ensure that none of the transducers have failed or drifted out of calibration. Also during the dry CIT,
10 the fluid valve leading to the air vent on the cassette is tested by closing the valve, pressurizing the pump chamber, and observing the pressure decay.

FIG. 14 shows a process flow diagram describing the blood pump dry CIT process in accordance with an embodiment of the present invention. The dry CIT process begins in block 1401. The positive pneumatic system is first
15 isolated from the cassette and a baseline leak rate for the positive assembly is obtained, specifically by closing the working solution line occluder 813, in block 1402, opening all fluid valves and closing the variable valves, in block 1403, measuring the positive tank leak rate, in block 1404, and generating an error signal if the positive tank leak rate is greater than or equal to the
20 predetermined threshold, in block 1405.

Then, the negative pneumatic system is isolated from the cassette and a baseline leak rate for the negative assembly is obtained, specifically by closing all fluid valves, in block 1407, measuring the positive tank leak rate, in block 1408, and generating an error signal if the negative tank leak rate is greater
25 than or equal to a predetermined threshold, in block 1409.

Then, the process tests the cassette sheeting of the valves outside of the volcano valves, specifically by opening the working solution line occluder 813, in block 1410, measuring the positive tank leak rate, in block 1411, and generating an error signal if the positive tank leak rate is greater than or equal
30 to a predetermined threshold, in block 1412.

Then, the process tests the cassette sheeting at the center of the volcano valves, specifically by opening valves 1A1 and 2A1 and all fluid valves, in

block 1413, measuring the positive and negative tank leak rates, in block 1414, and generating an error signal if the positive or negative tank leak rate is greater than or equal to a predetermined threshold, in block 1415.

Then, the process verifies calibration of the positive transducers, specifically by isolating the positive transducers and connecting the positive transducers together, in block 1416, measuring the positive tank leak rate, in block 1417, generating an error signal if the positive tank leak rate is greater than or equal to a predetermined threshold, in block 1418, determining whether all positive transducers agree to within a predetermined threshold, in block 1419, and generating an error signal if the positive transducers do not agree to within a predetermined threshold, in block 1420.

Then, the process verifies calibration of the negative transducers, specifically by isolating the negative transducers and connecting the negative transducers together, in block 1421, measuring the negative tank leak rate, in block 1422, generating an error signal if the negative tank leak rate is greater than or equal to a predetermined threshold, in block 1423, determining whether all negative transducers agree to within a predetermined threshold, in block 1424, and generating an error signal if the negative transducers do not agree to within a predetermined threshold, in block 1425.

Finally, the process tests integrity of the fluid valve leading to the vent filter, specifically by filling the chamber, in block 1426, pressurizing the chamber, in block 1427, measuring the chamber leak rate, in block 1428, and generating an error signal if the chamber leak rate is greater than or equal a predetermined threshold, in block 1429. The dry CIT process ends in block 1430.

BLOOD PUMP PRIMING

The working solution priming process operates on an entire bank of five blood pumps, where all blood pumps share a single working solution line. The working solution priming process is coordinated by the process controller 120 so as to prevent one pump from drawing in air that is being

expelled by another pump, specifically by priming the operating the blood pumps symmetrically from the middle blood pump outward. Each blood pump is responsible for detecting "no flow" conditions during priming and also for detecting air in the working solution chamber of the pump cassette
5 202 after the priming operation is complete. The priming process uses two operations, namely a "put" operation and a "get" operation. The "put" operation involves pumping the contents of the working solution chamber of the pump cassette 202 (air and/or working solution) out through the working solution inlet 304 to the working solution bag, specifically by applying a
10 positive pressure to the working solution chamber. The "get" operation involves drawing from the working solution inlet 304, specifically by applying a negative pressure to the working solution chamber. For convenience, the five blood pumps 104 in a bank are referred to numerically from one to five, where pump three is the middle pump of the bank, pumps two and four are the pumps adjacent to the middle pump, and pumps one
15 and five are the outside pumps.

FIG. 15 shows a process flow diagram describing the blood pump working solution priming process in accordance with an embodiment of the present invention. The priming process begins in block 1501. In block 1502, a
20 put operation is performed on all five blood pumps. This removes as much air as possible from the working solution chambers of the pump cassettes 102. Then, get operations are performed on the blood pumps, starting with pump three, in block 1503, then pumps two and four simultaneously, in block 1504, and then pumps one and five simultaneously, in block 1505. Then, put
25 operations are performed on the blood pumps, starting with pump three, in block 1506, then pumps two and four simultaneously, in block 1507, and then pumps one and five simultaneously, in block 1508. Then, get operations are performed on the blood pumps, starting with pump three, in block 1509, then pumps two and four simultaneously, in block 1510, and then pumps one and
30 five simultaneously, in block 1511. Then, put operations are performed on the blood pumps, starting with pump three, in block 1512, then pumps two and four simultaneously, in block 1513, and then pumps one and five

simultaneously, in block 1514. Finally, get operations are performed on all five pumps simultaneously, in block 1518. If a blood pump detects a "no flow" condition during any of the get and put operations, an error condition is raised in block 1516, and priming is terminated. If a blood pump detects air in the working solution chamber after completion of the priming process, then an error condition is raised in block 1517. The priming process ends in block 1518.

BLOOD PUMP WET CASSETTE INTEGRITY TEST

10

The wet cassette integrity test (CIT) is used to identify defects within the injection-molded body of the cassette. The wet CIT involves testing the functionality of all of the fluid valves within the cassette as well as testing for "cross-talk" between the fluid paths and fluid pump chambers within the cassette. The wet CIT is performed on a partially primed cassette, after priming the working solution pump chamber, but before priming the RBC pump chamber. Therefore, a complete wet CIT is performed on the working solution pump chamber, but the RBC pump chamber is tested using air pressure and decay. Priming and wet testing of the RBC pump chamber is performed during blood mixing, as discussed below.

FIG. 16 shows a process flow diagram describing the blood pump wet CIT process in accordance with an embodiment of the present invention. The wet CIT process begins in block 1601, and involves three passes of blocks 1602 through 1619. In each pass, the working solution line occluder 813 is retracted, in block 1602, and various measurements are performed on both chambers, in block 1603. If the measurements are outside of a predetermined threshold (NO in block 1604), then an error signal is generated, in block 1605. Otherwise, a chamber filling operation is performed, in block 1606. During the first pass, both chambers are filled; during the second pass, only one chamber is filled; during the third pass, only the other chamber is filled. After the chamber filling operation, various measurements are performed on the chambers, in block 1607. If the measurements are outside of a predetermined

threshold (NO in block 1608), then an error signal is generated, in block 1609. At this point, the working solution line occluder 813 is left retracted during the first pass, but is closed during the second and third passes, in blocks 1610 and 1611. The required fluid valves are then opened, in block 1612, tank
5 pressure is applied to the chambers for a predetermined amount of time, in block 1613, and various measurements are performed on the chambers, in block 1614. If the measurements are outside of a predetermined threshold (NO in block 1615), then an error signal is generated in block 1616. Otherwise, the process determines whether the volume displaced is within
10 some threshold, in block 1617. If not, then an error signal is generated, in block 1618. After all three passes are complete, the working solution line occluder 813 is opened, in block 1620, and both chambers are purged to the working solution bag, in block 1621. The process ends in block 1622.

15 BLOOD MIXING

The blood mixing process is performed essentially in three stages, namely a priming stage, a mixing stage, and a residuals stage. The priming stage involves priming the RBC pump chamber 334 from the RBCC bag 106.
20 The mixing stage involves repetitively drawing a quantity of working solution in to the working solution pump chamber 333 and drawing a quantity of RBCC through the channel 310 into the RBC pump chamber 334 while pulsing working solution from the working solution pump chamber 333 into the channel 310 so that the working solution and RBCC mix within
25 the channel 310 and the RBC pump chamber 334. The pulsing of working solution is dynamically adjusted so that the resulting incubation solution has a predetermined concentration of working solution, within certain limits. The mixing stage continues until air is detected in the RBCC inlet tube 204 by the air-in-line sensor 610, signaling that there is no more RBCC to be processed.
30 The residuals stage handles the residual contents in the RBC pump chamber 334 (if any) following the mixing stage. In the residuals stage, the concentration of working solution and RBCC in the RBC pump chamber 334

is measured, and the contents of the RBC pump chamber 334 are delivered to the incubation bag 118 if and only if the concentration of working solution and RBCC is within a predetermined specification. The overall concentration of working solution in the incubation solution is also measured, and a signal
5 is generated to indicate whether or not the incubation solution is usable. The blood mixing process preferably prevents fluid from being pushed back into the working solution line after RBCC has been introduced into the pump cassette in order to prevent contamination of the working solution.

FIGs. 17A-D show a process flow diagram describing the blood mixing
10 process in accordance with an embodiment of the present invention. The process begins in block 1701, and proceeds to prime the RBC pump chamber 334. Specifically, the RBC occluder 814 is opened, in block 1702, and the contents of the RBC pump chamber 334 are purged to the RBCC bag 106, in block 1703. If a no flow condition is detected in block 1704, then the process
15 ends in failure in block 1705. Otherwise, the RBC pump chamber 334 is filled from the RBCC bag 106, in block 1706. If a no flow condition is detected in block 1707, then the process ends in failure in block 1705. Otherwise, the contents of the RBC pump chamber 334 is purged back to the RBCC bag 106, in block 1708, and the volume of the RBC pump chamber 334 is computed, in
20 block 1709. If a no flow condition is detected in block 1710, then the process ends in failure in block 1705. If air is detected in the RBC pump chamber 334 in block 1711, then an error signal is generated, in block 1712, and a second attempt is made to prime the RBC pump chamber 334 by repeating blocks 1706 through 1711. If air is again detected in the RBC pump chamber 334 in
25 block 1711, then the process ends in failure in block 1713.

If the RBC pump chamber 334 is successfully primed, then the process continues with the mixing stage. Specifically, the working solution pump chamber 333 is filled from the working solution bag 112 with working solution, in block 1714. The volume of the working solution pump chamber
30 333 is measured, in block 1715. If air is detected in the working solution pump chamber 333 in block 1716, then the process ends in failure in block

1717. If a no flow condition is detected in block 1718, then the process ends in failure in block 1719.

The RBCC is then mixed with working solution, in block 1720, specifically by drawing RBCC from the RBCC bag 106 through the channel 310 into the RBC pump chamber 334 while simultaneously pulsing working solution from the working solution pump chamber 333 into the channel 310 so that the working solution and RBCC are mixed within the channel 310 and the RBC pump chamber 334. While this mixing is being performed, the process is monitoring for air in the RBCC inlet tube 204, in block 1742. Assuming no air is detected in the RBCC inlet tube 204, in block 1742, the volumes of both chambers 333 and 334 are measured, in block 1721. If air is detected in the RBC pump chamber 334 in block 1722, then the process ends in failure in block 1723. If a no flow condition is detected in block 1724, then the process ends in failure in block 1725.

After mixing the working solution and RBCC, the concentration of working solution to RBCC in the RBC pump chamber 334 is calculated, in block 1726, and a determination is made whether the concentration for this particular chamber is within predetermined specifications, in block 1727. If the concentration of working solution to RBCC in the RBC pump chamber 334 is outside of specifications, then an error condition is signaled, in block 1728. In any case, though, the pulse width is adjusted based upon the concentration of working solution to RBCC in the RBC pump chamber 334, in block 1729, and the contents of the RBC pump chamber 334 are delivered to the incubation bag 118, in block 1730. The volume of the RBC pump chamber 1731 is measured, in block 1731. If a no flow condition is detected in block 1732, then the process ends in failure in block 1733.

In this first pass of the mixing stage, from block 1734, the RBC pump chamber 334 is filled from the RBCC bag 106, in block 1735. If a no flow condition is detected in block 1736 while attempting to fill the RBC pump chamber 334 from the RBCC bag 106 then the process ends in failure in block 1737. Otherwise, the contents of the RBC pump chamber 334 are purged to the RBCC bag 106, in block 1738, and the volume of the RBC pump chamber

334 is computed, in block 1739. If a no flow condition is detected in block 1740 while attempting to purge the contents of the RBC pump chamber 334, then the process ends in failure in block 1741. Otherwise, the mixing stage continues by recycling to block 1714 and repeating blocks 1714 through 1734.
5 During the second and subsequent passes of the mixing stage, the process recycles from block 1734 to block 1714, omitting blocks 1735 through 1741.

When air is detected in the RBCC inlet tube 204, in block 1742, filling of the RBC pump chamber 334 with RBCC and working solution is aborted (preferably before air has entered the RBC pump chamber), in block 1743, and
10 a volume calculation is performed for both chambers, in block 1744. If air is detected in the RBC pump chamber 334 in block 1745, then the process ends in failure in block 1746. Assuming that there is no air in the RBC pump chamber 334, then the concentration of working solution to RBCC in the RBC pump chamber 334 is calculated, in block 1747, and a determination is made
15 whether the concentration for this particular chamber is within predetermined specifications, in block 1748. If and only if the concentration of working solution to RBCC in the RBC pump chamber 334 is within specifications, the contents of the RBC pump chamber 334 are delivered to the incubation bag 118, in block 1749, the RBC pump chamber 334 is filled from
20 the RBCC bag 106, in block 1750, and, upon detecting air in the RBC pump chamber 334 in block 1751, the contents of the RBC pump chamber 334 are delivered to the incubation bag 118, in block 1752. Whether or not the residual contents of the RBC pump chamber 334 are delivered to the incubation bag 118, the overall concentration of working solution to RBCC in
25 the incubation solution is calculated, in block 1753. If the overall concentration is outside of specifications, then an error condition is signaled, in block 1755. In any case, process data is sent to the process controller 120, in block 1754. The process ends in block 1755.

30 MANUAL TEARDOWN

During normal blood pump teardown, the blood pump 104 receives commands from the process controller 120 to release pressure against the pump door so that the door can be opened by the operator. The pressure against the door comes from both the door piston bladder and the occluders.

5 While the door piston bladder is pressurized and the tubing occluders are engaged, it is virtually impossible for the operator to open the pump door and remove the pump cassette. If communication between the process controller 120 and the blood pump 104 is lost, then the operator will need to relieve this pressure manually in order to remove the cassette. Among other things, this

10 involves the operator pressing the manual door release valve on the back of the pump to deflate the bladder in the door assembly. The operator may also manually retract the occluders if necessary.

FIG. 19 shows a process flow diagram describing the process for manual blood pump teardown in accordance with an embodiment of the present invention. The process starts in block 1901. The operator is instructed

15 to heat seal the incubation and working solution lines, in block 1902. The blood pump 104 is then instructed to test the heat seal of the incubation line, in block 1903. If the incubation line is not sealed, then the process enters anomaly handling, in block 1904. Assuming the incubation line is sealed,

20 then the blood pump 104 is instructed to test the heat seal of the working solution line, in block 1905. If the working solution line is not sealed, then the process enters anomaly handling, in block 1906. The blood pump 104 is instructed to release the door, in block 1907, and the operator is instructed to press the manual door release valve on the back of the pump to deflate the

25 bladder in the door assembly, in block 1908, if the blood pump 104 does not release the door. The operator then manually retracts the occluders if necessary to allow opening of the door, in block 1909. The operator then removes the blood disposables, in block 1910. A close-case file is created indicating the failure, in block 1911. The process ends in block 1912.

30

VOLUMETRIC CALIBRATION

The blood pump 104 is typically calibrated periodically to verify its ability to accurately measure volumes of pumped fluids. In exemplary embodiments of the invention, this calibration is done by running test measurements with two different test cassettes having different but known chamber volumes.

FIG. 18 shows a process flow diagram describing the volumetric calibration process in accordance with an embodiment of the present invention. The process begins in block 1801. The operator is instructed to scan a bar code on the blood pump 104 in block 1802 in order to test the blood pump 104. The operator is then instructed to load the first test cassette, in block 1803. Upon confirmation that the door is closed, in block 1804, the door is sealed, in block 1805. If the door fails to seal properly, then the process enters anomaly handling, in block 1806. If the door seals properly, a dry CIT is run, in block 1807. If the dry CIT fails, then the process enters anomaly handling, in block 1808. If the dry CIT passes, then a volume calibration test is run to measure the volume of the chambers, in block 1809. If the difference between the measured volume and the known volume of the first cassette is greater than or equal to some predetermined threshold, then the process enters anomaly handling, in block 1810. Otherwise, the door is released, in block 1811, and the operator is instructed to load the second test cassette, in block 1812. Upon confirmation that the door is closed, in block 1813, the door is sealed, in block 1814. If the door fails to seal properly, then the process enters anomaly handling, in block 1815. If the door seals properly, a dry CIT is run, in block 1816. If the dry CIT fails, then the process enters anomaly handling, in block 1817. If the dry CIT passes, then a volume calibration test is run to measure the volume of the chambers, in block 1818. If the difference between the measured volume and the known volume of the second cassette is greater than or equal to some predetermined threshold, then the process enters anomaly handling, in block 1819. Otherwise, a test pass determination is made, in block 1820, and a report is printed, in block 1821. The door is released, in block 1822, and the operator is instructed to remove the second test cassette, in block 1823. The process ends in block 1824.

It should also be noted that the flow diagrams are used herein to demonstrate various aspects of the invention, and should not be construed to limit the present invention to any particular flow or implementation. In some cases, certain process steps can be omitted or performed in a different order
5 than shown without changing the overall results or otherwise departing from the true scope of the invention.

The present invention may be embodied in other specific forms without departing from the true scope of the invention. The described embodiments are to be considered in all respects only as illustrative and not
10 restrictive.

What is claimed is:

1. A method for mixing a first liquid with a second liquid, the method comprising:

5 pumping a first liquid into a first pump chamber of a pumping apparatus through a channel of the pumping apparatus; and
pumping a quantity of a second liquid from a second pump chamber of the pumping apparatus into one of the channel and the first pump chamber so as to mix the first liquid and the second liquid within the pumping
10 apparatus.

2. A method according to claim 1, wherein pumping the quantity of the second liquid comprises:

15 pumping the quantity of the second liquid during said pumping of the first liquid.

3. A method according to claim 1, wherein the first liquid is a red blood cell concentrate and the second liquid is an anti-pathogen solution.

20 4. A method according to claim 1, wherein the pumping apparatus is a pump cassette having pneumatically operated first and second pump chambers and a plurality of pneumatically operated valves, and wherein said pumping comprises:

pneumatically operating the pump chambers and the valves.

25

5. A method according to claim 1, wherein pumping the quantity of the second liquid comprises:

pumping the quantity of the second liquid from the second pump chamber in a pulsatile mode.

30

6. A method according to claim 5, wherein the pulsatile mode is characterized by a pulse width and pulse interval, and wherein the method further comprises:
- determining a concentration of first liquid and second liquid in the first pump chamber; and
 - dynamically adjusting at least one of the pulse width and pulse interval based on the concentration of first liquid and second liquid in the first pump chamber.
7. A method according to claim 6, further comprising:
- pumping a second quantity of the second liquid from the second pump chamber into one of the channel and the first pump chamber using at least one of the dynamically adjusted pulse width and the dynamically adjusted pulse interval.
8. A method according to claim 1, further comprising:
- pumping the contents of the first pump chamber to a receptacle.
9. An apparatus for mixing a first liquid with a second liquid, the apparatus comprising:
- a first pump controller operatively coupled to pump a first liquid into a first pump chamber of a pumping apparatus through a channel of the pumping apparatus; and
 - a second pump controller operatively coupled to pump a quantity of a second liquid from a second pump chamber of the pumping apparatus into one of the channel and the first pump chamber so as to mix the first liquid and the second liquid within the pumping apparatus.
10. An apparatus according to claim 9, wherein the second pump controller is operatively coupled to pump the quantity of the second liquid during said pumping of the first liquid.

11. An apparatus according to claim 9, wherein the first liquid is a red blood cell concentrate and the second liquid is an anti-pathogen solution.

12. An apparatus according to claim 9, wherein the pumping apparatus is a pump cassette having pneumatically operated first and second pump chambers and a plurality of pneumatically operated valves, and wherein the first and second pump controllers are operatively coupled to pneumatically operate the pump chambers and the valves.

13. An apparatus according to claim 9, wherein the second pump controller is operatively coupled to pump the quantity of the second liquid from the second pump chamber in a pulsatile mode.

14. An apparatus according to claim 13, wherein the pulsatile mode is characterized by a pulse width and pulse interval, and wherein the second pump controller is operatively coupled to determine a concentration of first liquid and second liquid in the first pump chamber and dynamically adjust at least one of the pulse width and pulse interval based on the concentration of first liquid and second liquid in the first pump chamber.

15. An apparatus according to claim 14, wherein the second pump controller is operatively coupled to pump a second quantity of the second liquid from the second pump chamber into one of the channel and the first pump chamber using at least one of the dynamically adjusted pulse width and the dynamically adjusted pulse interval.

16. An apparatus according to claim 9, wherein the first pump controller is operatively coupled to pump the contents of the first pump chamber to a receptacle.

17. An apparatus according to claim 12, further comprising:

a pump cassette interface for pneumatically operating the chambers and valves of the pump cassette, the pump cassette interface including a limiter for limiting the amount of second liquid held by the second pump chamber.

5

18. An apparatus for mixing a first liquid with a second liquid, the apparatus comprising:

means for pumping a first liquid into a first pump chamber of a pumping apparatus through a channel of the pumping apparatus; and

10 means for pumping a quantity of a second liquid from a second pump chamber of the pumping apparatus into one of the channel and the first pump chamber so as to mix the first liquid and the second liquid within the pumping apparatus.

15 19. An apparatus according to claim 18, wherein the means for pumping the quantity of the second liquid comprises:

means for pumping the quantity of the second liquid during said pumping of the first liquid.

20 20. An apparatus according to claim 18, wherein the first liquid is a red blood cell concentrate and the second liquid is an anti-pathogen solution.

21. An apparatus according to claim 18, wherein the pumping apparatus is a pump cassette having pneumatically operated first and second pump chambers and a plurality of pneumatically operated valves, and wherein the apparatus comprises:

means for pneumatically operating the pump chambers and the valves.

22. An apparatus according to claim 18, wherein the means for pumping the quantity of the second liquid comprises:

30 means for pumping the quantity of the second liquid from the second pump chamber in a pulsatile mode.

23. An apparatus according to claim 22, wherein the pulsatile mode is characterized by a pulse width and pulse interval, and wherein the apparatus further comprises:

5 means for determining a concentration of first liquid and second liquid in the first pump chamber; and

means for dynamically adjusting at least one of the pulse width and pulse interval based on the concentration of first liquid and second liquid in the first pump chamber.

10

24. An apparatus according to claim 23, further comprising:

means for pumping a second quantity of the second liquid from the second pump chamber into one of the channel and the first pump chamber using at least one of the dynamically adjusted pulse width and the
15 dynamically adjusted pulse interval.

25. An apparatus according to claim 18, further comprising:

means for pumping the contents of the first pump chamber to a receptacle.

20

26. An apparatus according to claim 21, further comprising:

means for limiting the amount of second liquid held by the second pump chamber .

25 27. A system for mixing a first liquid with a second liquid, the system comprising:

a plurality of first liquid containers, each containing a first liquid;

a second liquid container containing a second liquid; and

a plurality of pumps, each pump operatively coupled to mix first liquid
30 from a respective one of the plurality of first liquid containers with second liquid from the second liquid container.

28. A system according to claim 27, where each pump comprises:
a first pump controller operatively coupled to pump first liquid from the first liquid container into a first pump chamber of a pumping apparatus through a channel of the pumping apparatus; and
5 a second pump controller operatively coupled to pump second liquid from the second liquid container into a second pump chamber of the pumping apparatus and to pump a quantity of the second liquid from the second pump chamber of the pumping apparatus into one of the channel and the first pump chamber so as to mix the first liquid and the second liquid
10 within the pumping apparatus.
29. A system according to claim 28, wherein the second pump controller is operatively coupled to pump the quantity of the second liquid during said pumping of the first liquid.
15
30. A system according to claim 28, wherein the first liquid is a red blood cell concentrate and the second liquid is an anti-pathogen solution.
31. A system according to claim 28, wherein the pumping apparatus is a
20 pump cassette having pneumatically operated first and second pump chambers and a plurality of pneumatically operated valves, and wherein the first and second pump controllers are operatively coupled to pneumatically operate the pump chambers and the valves.
- 25 32. A system according to claim 28, wherein the second pump controller is operatively coupled to pump the quantity of the second liquid from the second pump chamber in a pulsatile mode.
- 30 33. A system according to claim 32, wherein the pulsatile mode is characterized by a pulse width and pulse interval, and wherein the second pump controller is operatively coupled to determine a concentration of first liquid and second liquid in the first pump chamber and dynamically adjust at

least one of the pulse width and pulse interval based on the concentration of first liquid and second liquid in the first pump chamber.

34. A system according to claim 33, wherein the second pump controller is
5 operatively coupled to pump a second quantity of the second liquid from the second pump chamber into one of the channel and the first pump chamber using at least one of the dynamically adjusted pulse width and the dynamically adjusted pulse interval.

10 35. A system according to claim 28, wherein the first pump controller is operatively coupled to pump the contents of the first pump chamber to a receptacle.

36. A system according to claim 27, further comprising:
15 a process controller in communication with the plurality of pumps for coordinating said mixing by the pumps.

37. Apparatus for use in a fluid processing workstation having a plurality of pumps, the apparatus comprising:
20 a plurality of pump cassettes for use respectively with the plurality of pumps, each cassette having a first fluid inlet port in selective fluid communication with a first pump chamber;
an inlet tube; and
distribution tubing that connects the inlet tube to the first fluid inlet
25 port of each of the pump cassettes.

38. Apparatus according to claim 37, wherein the inlet tube is centrally attached along the distribution tubing and the plurality of pump cassettes are symmetrically attached to the distribution tubing with respect to the inlet tube
30 attachment.

39. Apparatus according to claim 38, wherein the attachments of the plurality of pump cassettes to the distribution tubing are equally spaced apart along the distribution tubing.

5 40. Apparatus according to claim 37, further comprising a plurality of incubation bags, each bag being attached to an outlet port on a respective one of the pump cassettes.

41. Apparatus according to claim 40, further comprising a bar code label
10 on each of the incubation bags.

42. Apparatus according to claim 37, further comprising a break-away closure on the inlet tube.

15 43. Apparatus according to claim 37, wherein each pump cassette includes a second fluid inlet port with a second fluid inlet tube attached thereto and further including a break-away closure on the second fluid inlet tube.

44. Apparatus according to claim 37, further comprising a four-port
20 coupling inserted in the distribution tubing such that the distribution tubing extends out from first and second oppositely located ports of the coupling, the first fluid inlet tube is connected to a third port of the coupling and the first fluid inlet port of a middle one of the pump cassettes is coupled to a fourth port of the coupling.

25

45. A pump cassette bank comprising:
an odd number of pump cassettes, each cassette having a working solution inlet port selectively coupled to a working solution pump chamber;
a working solution inlet tube; and
30 distribution tubing connected between the working solution inlet tube and the working solution inlet ports of the odd number of pump cassettes, wherein the working solution inlet tube joins the distribution tubing

proximate to a junction between the distribution tubing and a middle one of the pump cassettes such that connected to the distribution tubing on either side of the junction are an equal number of the pump cassettes.

5 46. The pump cassette bank of claim 45 wherein the pump cassettes connected to the distribution tubing on one side of the junction are spaced from the junction given distances from the junction and wherein at those given distances pump cassettes are connected to the distribution tubing on the other side of the junction.

10

47. The pump cassette bank of claim 45 further comprising a plurality of incubation bags, each bag being attached to an outlet port on a respective one of the pump cassettes.

15 48. The pump cassette bank of claim 46 further comprising a bar code label on each of the incubation bags.

49. The pump cassette bank of claim 45 further comprising a break-away closure on the working solution inlet tube.

20

50. The pump cassette bank of claim 45 wherein each pump cassette includes a second fluid inlet port with a second fluid inlet tube attached thereto and further including a break-away closure on the second fluid inlet tube.

25

51. The pump cassette bank of claim 45 further comprising a four-port coupling inserted in the distribution tubing such that the distribution tubing extends out from first and second oppositely located ports of the coupling, the working solution inlet tube joins the distribution tubing through a third port of the coupling and the working solution inlet port of a middle one of the pump cassettes is coupled to a fourth port of the coupling to form the junction with the distribution tubing.

30

52. A pump cassette bank comprising:

a plurality of pump cassettes, each pump cassette having a first inlet port and an associated first pump chamber, a second inlet port and an associated second pump chamber, an air vent and associated hydrophobic filter, and an outlet port;

a working solution inlet tube; and

distribution tubing connected between the working solution inlet tube and the first inlet ports of each of the plurality of pump cassettes, wherein the working solution inlet tube is centrally connected to the distribution tubing such that connected to the distribution tubing on either side of a junction between the distribution tubing and the working solution inlet tube are an equal number of the pump cassettes.

53. The pump cassette bank of claim 52 wherein the pump cassettes connected to the distribution tubing on one side of the junction are spaced from the junction given distances from the junction and wherein at those given distances pump cassettes are connected to the distribution tubing on the other side of the junction.

54. The pump cassette bank of claim 52 further comprising a four-port coupling inserted in the distribution tubing such that the distribution tubing extends out from first and second oppositely located ports of the coupling, the working solution inlet tube is connected to a third port of the coupling to form the junction between the distribution tubing and the working solution inlet tube and the first inlet port of a middle one of the pump cassettes is coupled to a fourth port of the coupling.

55. The pump cassette bank of claim 54 further comprising a plurality of incubation bags, each bag being attached to an outlet port on a respective one of the pump cassettes.

56. The pump cassette bank of claim 54 further comprising a bar code label on each of the incubation bags.

57. The pump cassette bank of claim 54 further comprising a break-away
5 closure on the working solution inlet tube.

58. The pump cassette bank of claim 54 further comprising a second fluid inlet tube attached the second inlet port on each of the pump cassettes and further including a break-away closure on each of the second fluid inlet tubes.

10

59. A kit comprising:
a plurality of pump cassettes, each cassette having a first fluid inlet port in selective fluid communication with a first pump chamber; and
an inlet tube and associated distribution tubing for connecting the inlet
15 tube to the first fluid inlet port of each of the pump cassettes.

60. A kit according to claim 59, further comprising:
a plurality of incubation bags for attachment respectively to an outlet port of each of the pump cassettes.

20

61. A kit according to claim 59, further comprising:
a four-port coupling for insertion in the distribution tubing such that the distribution tubing extends out from first and second oppositely located ports of the coupling, the first fluid inlet tube is connected to a third port of
25 the coupling and the first fluid inlet port of a middle one of the pump cassettes is coupled to a fourth port of the coupling.

62. A bezel for use in delivery of pneumatic pressure comprising:
a rigid block having a plurality of ports integrally molded on a port
30 side of the rigid block, each port providing a solvent bondable tubing connection to the bezel; and

a plurality of cavities on a pumping side of the rigid block, each cavity in fluid communication through the rigid block with one of the ports for delivering pneumatic pressure applied to the port through the solvent bondable tubing connection.

5

63. A bezel according to claim 62 wherein the ports are hollow tubular structures integral with the rigid block and extending out from the port side of the rigid block.

10 64. A bezel according to claim 63 wherein the port side is opposite the pumping side.

65. A bezel according to claim 62 wherein the ports have inner diameters larger in size than the cavity in fluid communication therewith.

15

66. A bezel according to claim 62 further comprising:
a first depression in the pumping side of the rigid block, the first depression having at least one of the cavities therein.

20 67. A bezel according to claim 66 further comprising:
ribs extending up from the first depression to form an elevated contour above the pumping side of the rigid block, the ribs allowing pneumatic pressure applied through the at least one cavity in the first depression to be applied over the elevated contour.

25

68. A bezel according to claim 67 wherein the ribs form a symmetrical grid of air passages.

30 69. A bezel according to claim 68 wherein the first depression includes a chamber wall from which the ribs extend such that removal of the ribs leaves an open chamber defined by the chamber wall.

70. A bezel according to claim 69 wherein the ribs are removable by a milling operation.

71. A bezel according to claim 67 further comprising an open chamber
5 formed by a second depression in the pumping side of the rigid block.

72. A bezel according to claim 71 wherein each of the first and second depressions include two of the cavities therein.

10 73. A bezel according to claim 67 wherein the first depression includes two of the cavities therein.

74. A bezel according to claim 73 wherein the ribs are arranged to provide a plurality of air passages between the two of the cavities.

15

75. A bezel according to claim 74 wherein the ribs leave a straight air passage unobstructed by ribs at each of the two cavities, such that at each of the two cavities the respective straight air passage connects the cavity to the plurality of air passages between the two of the cavities.

20

76. A bezel according to claim 64 wherein the ribs are parallel to a perimeter of the first depression.

77. A bezel according to claim 67 wherein the elevated contour formed by
25 the ribs is a mound that increases in height from a perimeter of the first depression toward a middle of the mound.

78. A bezel according to claim 67 wherein the ports are hollow tubular structures integral with the rigid block and extending out from the port side
30 of the block.

79. A bezel according to claim 78, wherein the port side is opposite the pumping side.

80. A bezel according to claim 68 wherein the ports have inner diameters
5 larger in size than the cavity in fluid communication therewith.

81. A bezel according to claim 66 further comprising:
means for coupling a rib insert in the depression, the rib insert
including ribs extending up from the first depression to form an elevated
10 contour above the pumping side of the rigid block, the ribs allowing
pneumatic pressure applied through the at least one cavity in the first
depression to be applied over the elevated contour.

82. A bezel for use in delivery of pneumatic pressure comprising:
15 a rigid block having a plurality of cavities on a pumping side of the
block in fluid communication with ports accessible from a port side of the
block;
a first depression in the pumping side of the rigid block, the first
depression having at least one of the cavities therein; and
20 ribs extending up from the first depression to form an elevated contour
above the pumping side of the rigid block, the ribs allowing pneumatic
pressure applied through the at least one cavity in the first depression to be
applied over the elevated contour.

25 83. A bezel according to claim 82 wherein the ribs form a symmetrical grid
of air passages.

84. A bezel according to claim 82 wherein the first depression includes a
chamber wall from which the ribs extend such that removal of the ribs leaves
30 an open chamber defined by the chamber wall.

85. A bezel according to claim 84 wherein the ribs are removable by a milling operation.

86. A bezel according to claim 82 further comprising an open chamber
5 formed by a second depression in the pumping side of the rigid block.

87. A bezel according to claim 86 wherein each of the first and second depressions include two of the cavities therein.

10 88. A bezel according to claim 82 wherein the first depression includes two of the cavities therein.

89. A bezel according to claim 88 wherein the ribs are arranged to provide a plurality of air passages between the two of the cavities.

15

90. A bezel according to claim 89 wherein the ribs leave a straight air passage unobstructed by ribs at each of the two cavities, such that at each of the two cavities the respective straight air passage connects the cavity to the plurality of air passages between the two of the cavities.

20

91. A bezel according to claim 89 wherein the ribs are parallel to a perimeter of the first depression.

92. A bezel according to claim 82 wherein the elevated contour formed by
25 the ribs is a mound that increases in height from a perimeter of the first depression toward a middle of the mound.

93. A bezel according to claim 82 wherein the ports are hollow tubular structures integral with the rigid block and extending out from the port side
30 of the block.

94. A bezel according to claim 93, wherein the port side is opposite the pumping side.

95. A bezel according to claim 93 wherein the ports have inner diameters
5 larger in size than the cavity in fluid communication therewith.

96. A bezel according to claim 82, wherein each port provides a solvent bondable tubing connection to the bezel.

10 97. A bezel assembly for use in delivery of pneumatic pressure comprising:

a rigid block having a plurality of cavities on a pumping side of the block in fluid communication with ports accessible from a port side of the block;

15 a first depression in the pumping side of the rigid block, the first depression having at least one of the cavities therein; and

a removable rib insert coupled in the first depression, the rib insert having a plurality of ribs extending up from the first depression to form an elevated contour above the pumping side of the rigid block, the ribs allowing
20 pneumatic pressure applied through the at least one cavity in the first depression to be applied over the elevated contour.

98. A bezel according to claim 97 wherein the ribs form a symmetrical grid of air passages.

25

99. A bezel according to claim 97 further comprising an open chamber formed by a second depression in the pumping side of the rigid block.

100. A bezel according to claim 99 wherein each of the first and second
30 depressions include two of the cavities therein.

101. A bezel according to claim 97 wherein the first depression includes two of the cavities therein.
102. A bezel according to claim 101 wherein the ribs are arranged to
5 provide a plurality of air passages between the two of the cavities.
103. A bezel according to claim 102 wherein the ribs leave a straight air passage unobstructed by ribs at each of the two cavities, such that at each of the two cavities the respective straight air passage connects the cavity to the
10 plurality of air passages between the two of the cavities.
104. A bezel according to claim 102 wherein the ribs are parallel to a perimeter of the first depression.
- 15 105. A bezel according to claim 97 wherein the elevated contour formed by the ribs is a mound that increases in height from a perimeter of the first depression toward a middle of the mound.
106. A bezel according to claim 97 wherein the ports are hollow tubular
20 structures integral with the rigid block and extending out from the port side of the block.
107. A bezel according to claim 106, wherein the port side is opposite the pumping side.
- 25 108. A bezel according to claim 106 wherein the ports have inner diameters larger in size than the cavity in fluid communication therewith.
109. A bezel according to claim 97, wherein each port provides a solvent
30 bondable tubing connection to the bezel.
110. A bezel assembly comprising:

a bezel formed by:

a rigid block having a plurality of cavities on a pumping side of the block;

5 a first depression in the pumping side of the rigid block, the first depression having at least one of the cavities therein; and

ribs extending up from the first depression to form an elevated contour above the pumping side of the rigid block; and

10 a gasket fitting over the pumping side of the rigid block such that positive pressure applied through the at least one cavity in the first depression forces a gasket membrane to expand away from the pumping side and negative pressure applied through the at least one cavity in the first depression pulls the gasket membrane against the elevated contour of the ribs.

15 111. A bezel assembly according to claim 110 wherein the ribs form a symmetrical grid of air passages.

112. A bezel assembly according to claim 110 wherein the first depression includes a chamber wall from which the ribs extend such that removal of the
20 ribs leaves an open chamber defined by the chamber wall.

113. A bezel assembly according to claim 112 wherein the ribs are removable by a milling operation.

25 114. A bezel assembly according to claim 110 further comprising an open chamber formed by a second depression in the pumping side of the rigid block, the second depression having at least one of the cavities therein.

30 115. A bezel assembly according to claim 114 wherein each of the first and second depressions include two of the cavities therein.

116. A bezel assembly according to claim 110 wherein the first depression includes two of the cavities therein.

117. A bezel assembly according to claim 116 wherein the ribs are arranged
5 to provide a plurality of air passages between the two of the cavities.

118. A bezel assembly according to claim 117 wherein the ribs leave a straight air passage unobstructed by ribs at each of the two cavities, such that at each of the two cavities the respective straight air passage connects the
10 cavity to the plurality of air passages between the two of the cavities.

119. A bezel assembly according to claim 117 wherein the ribs are parallel to a perimeter of the first depression.

120. A bezel assembly according to claim 110 wherein the elevated contour formed by the ribs is a mound that increases in height from a perimeter of the first depression toward a middle of the mound.
15

121. A bezel assembly according to claim 110 further comprising ports, each
20 in fluid communication with one of the cavities and accessible from a port side of the rigid block.

122. A bezel assembly according to claim 121 wherein the ports are hollow tubular structures integral with the rigid block and extending out from the
25 port side of the block.

123. A bezel assembly according to claim 122, wherein the port side is opposite the pumping side.

124. A bezel assembly according to claim 122 wherein the ports have inner
30 diameters larger in size than the cavity in fluid communication therewith.

125. A bezel assembly according to claim 121, wherein each port provides a solvent bondable tubing connection to the bezel.

126. A bezel assembly according to claim 110, wherein the ribs are molded
5 into the first depression.

127. A bezel assembly according to claim 110, wherein the ribs are inserted into the first depression.

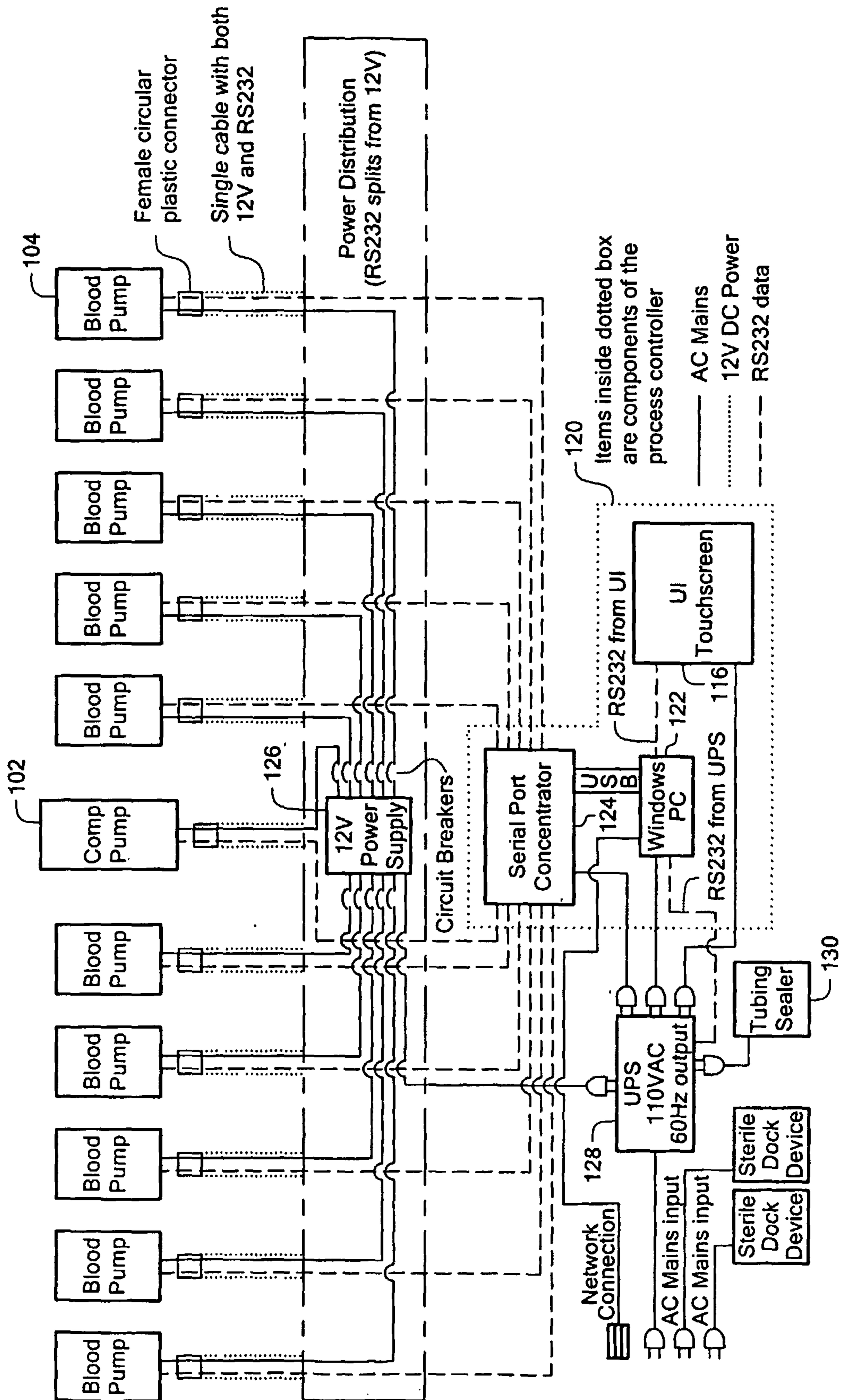


FIG. 1B

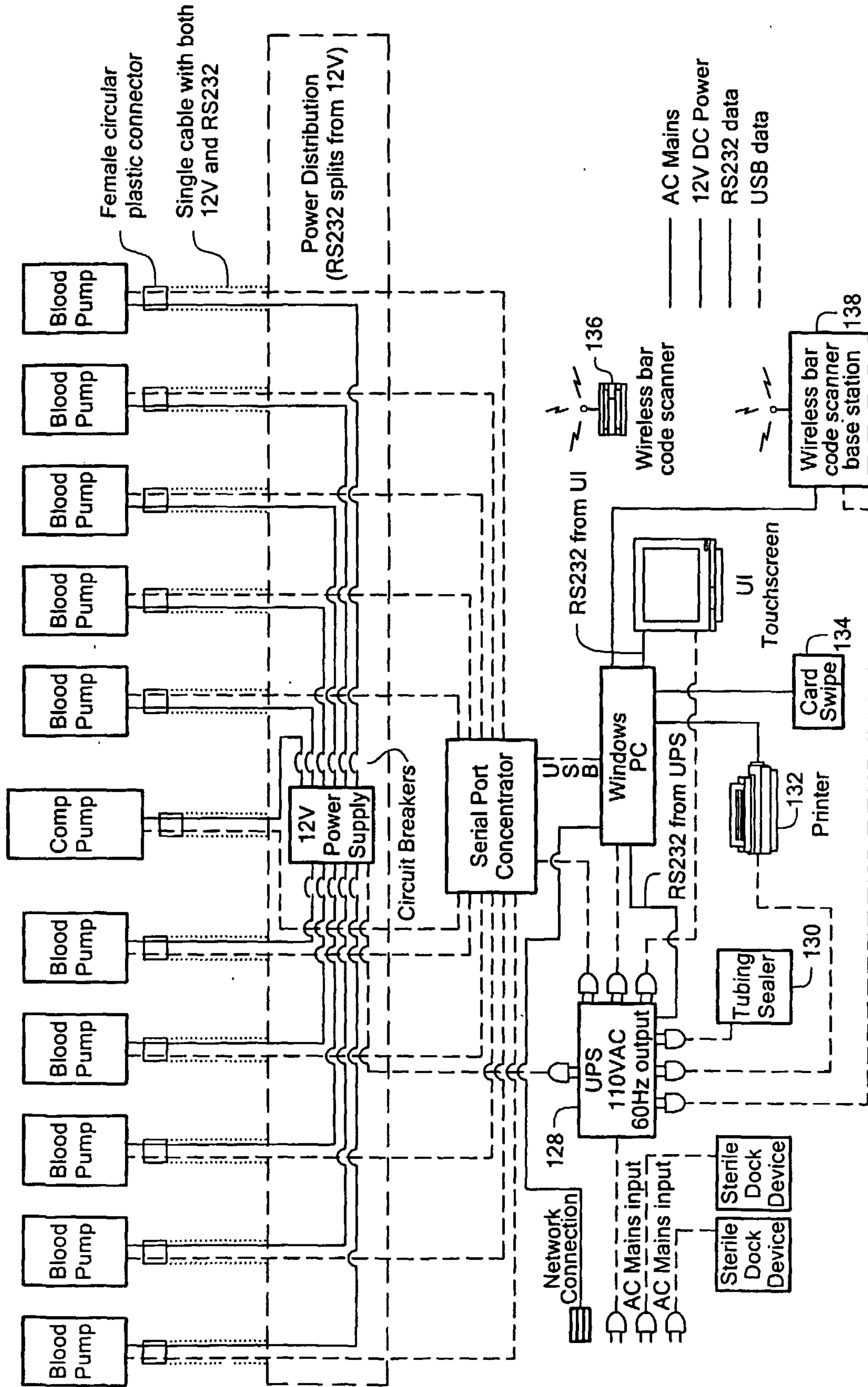
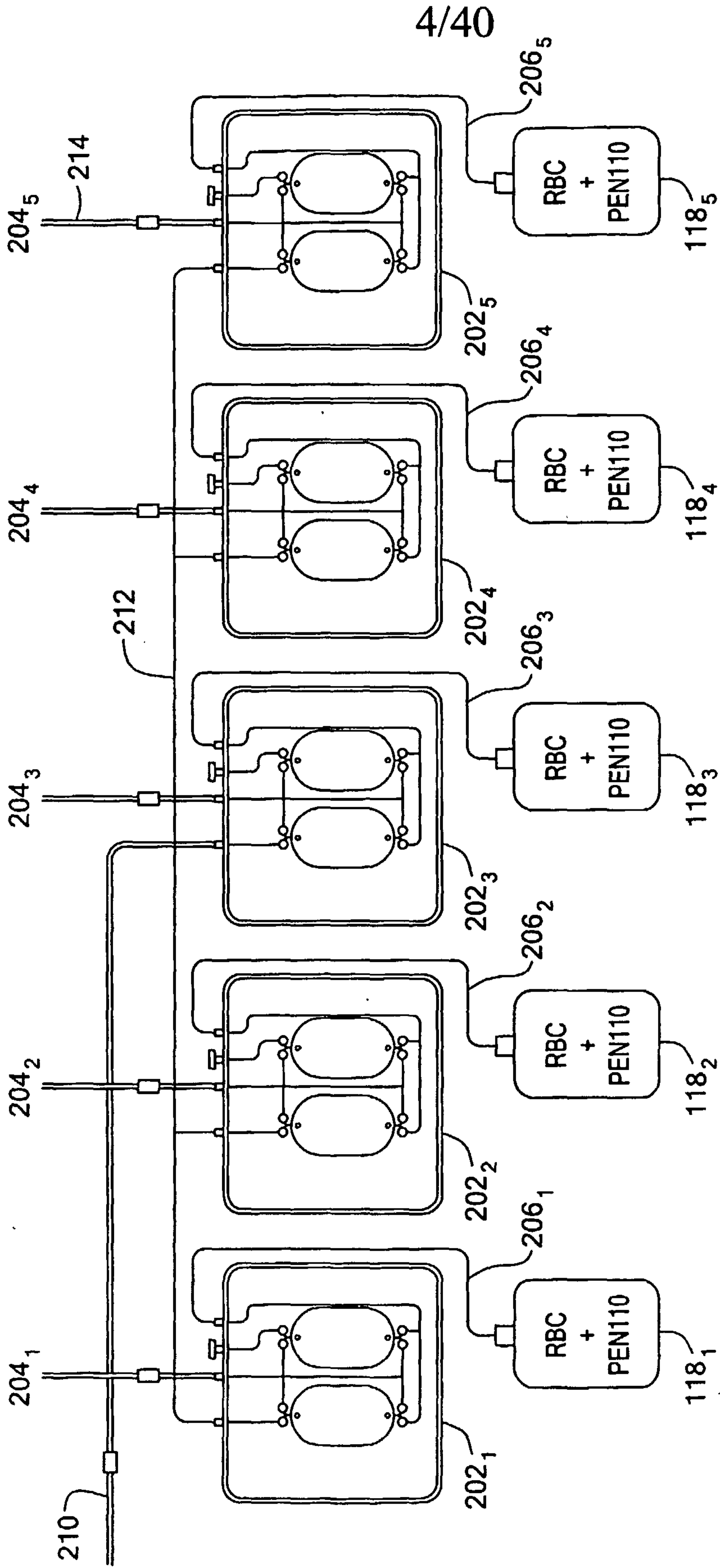


FIG. 1C



200

FIG. 2

5/40

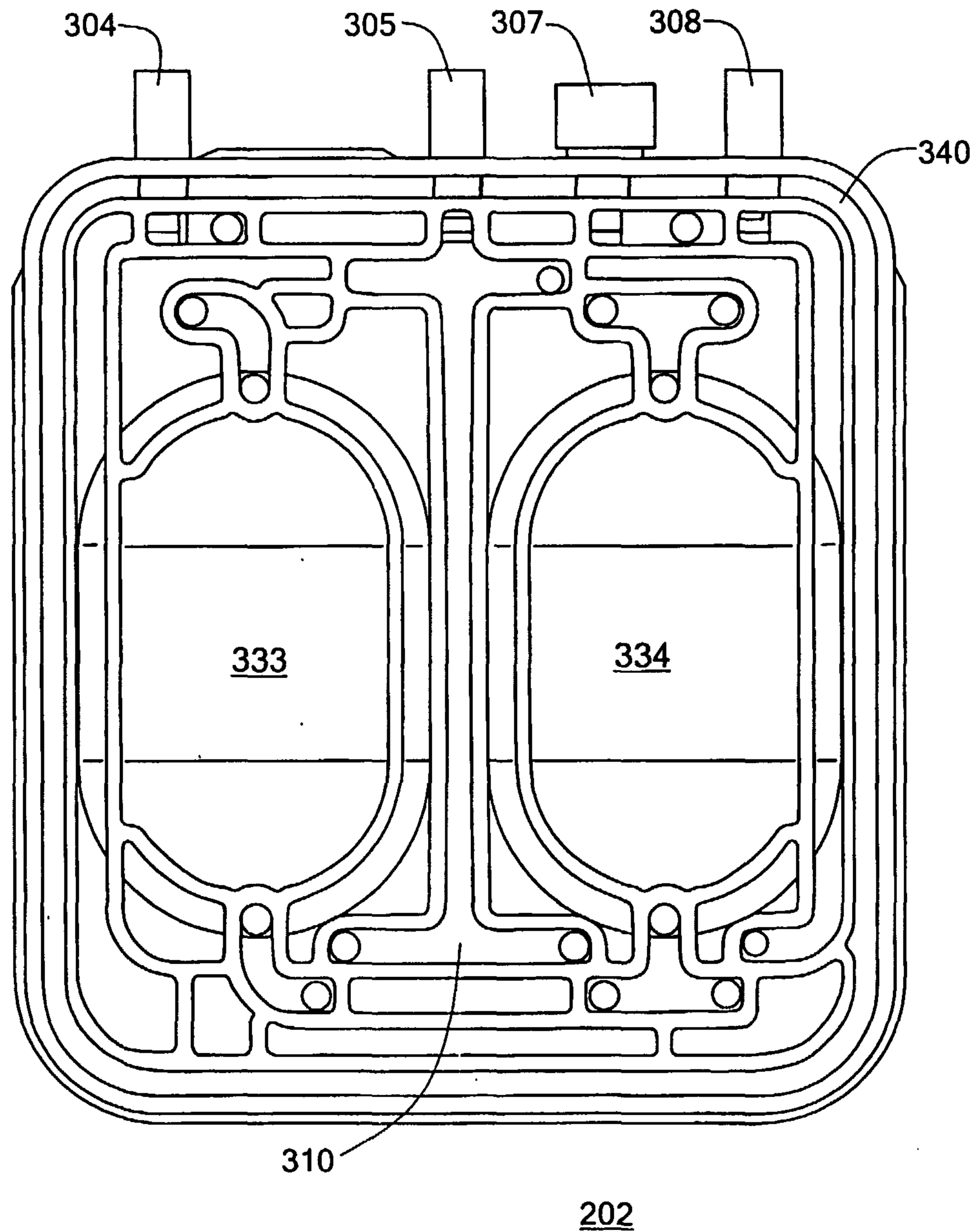


FIG. 3A

6/40

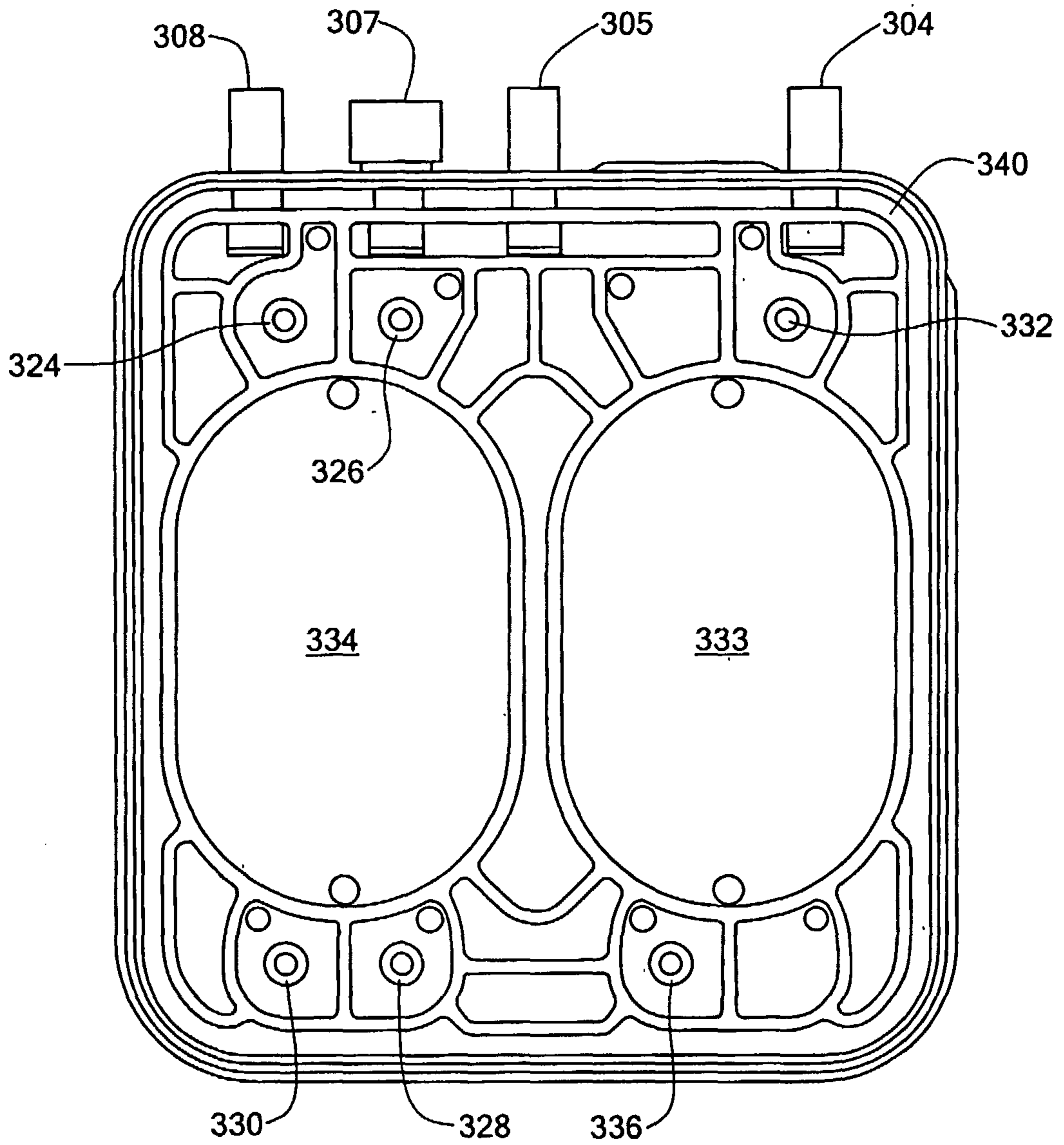
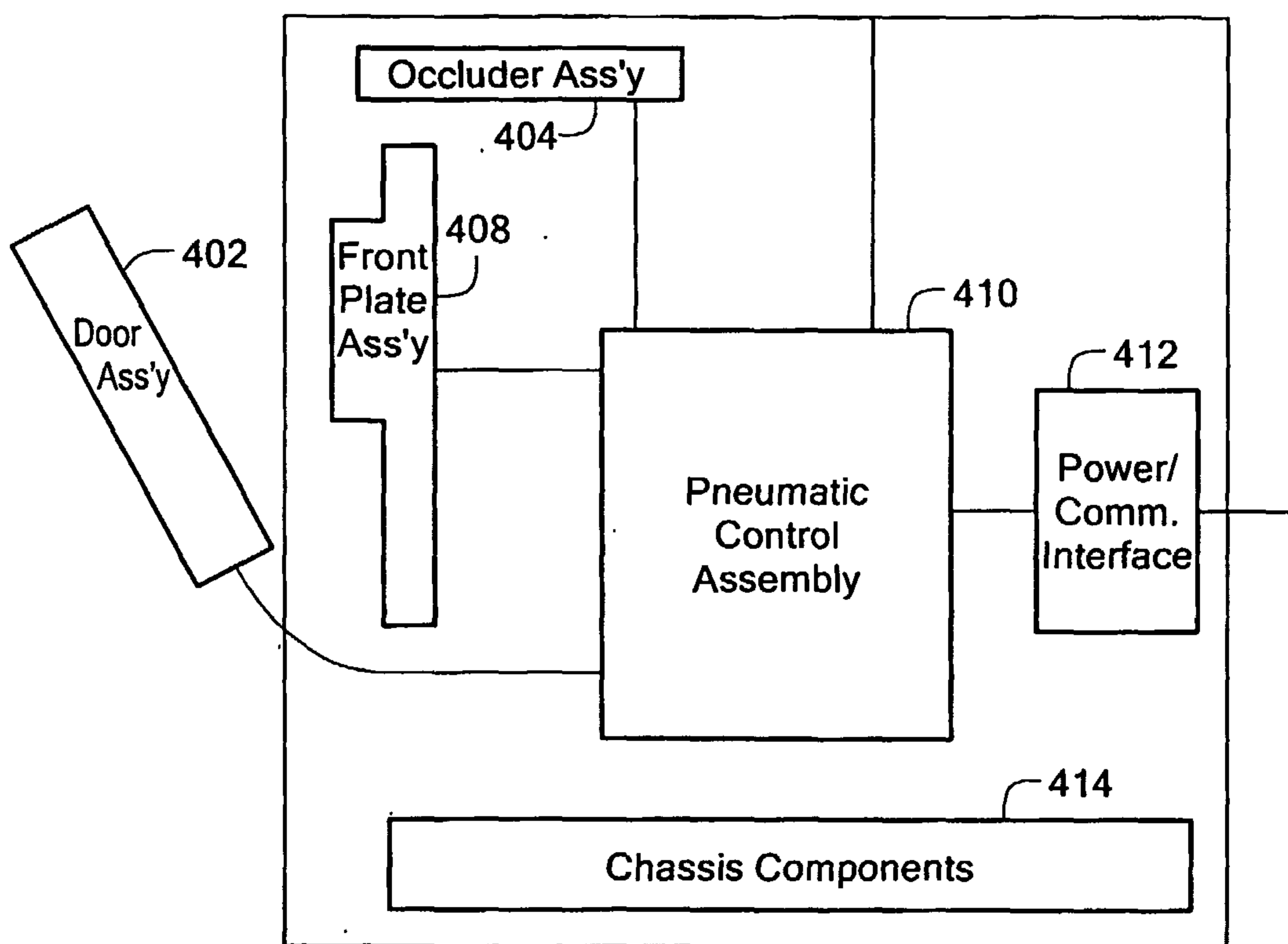


FIG. 3B ²⁰²

7/40



104

FIG. 4

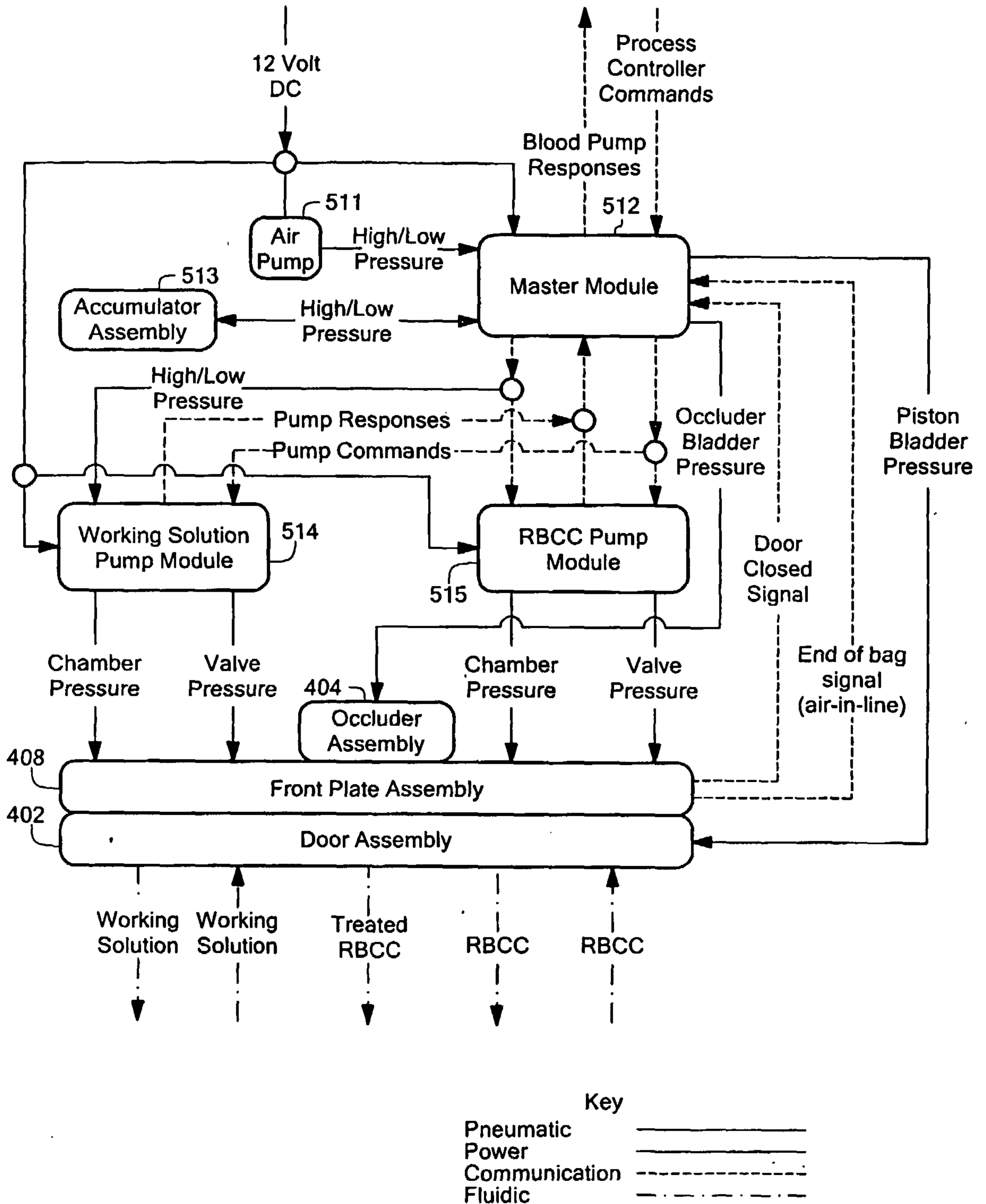
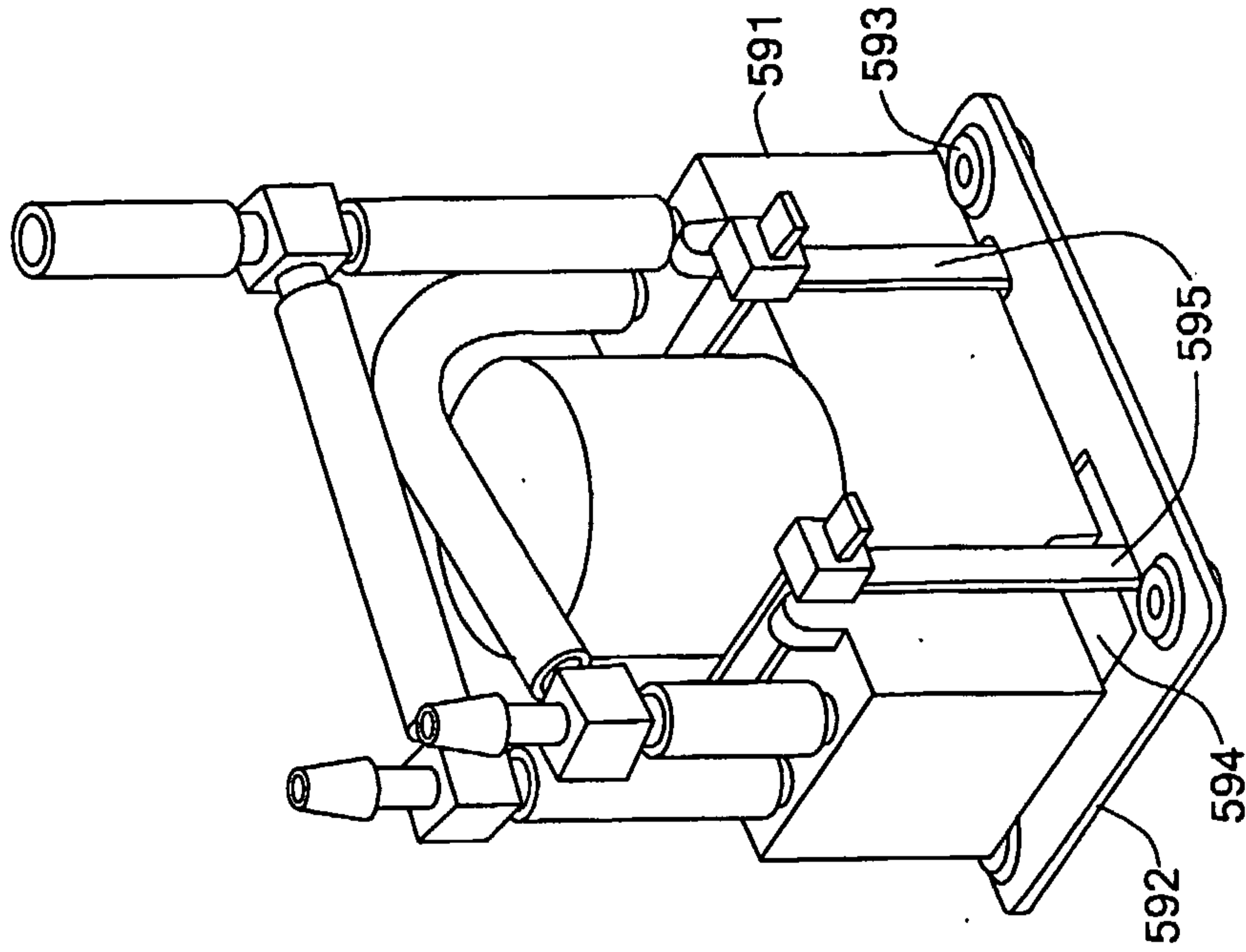


FIG. 5A

9/40



511

FIG. 5C

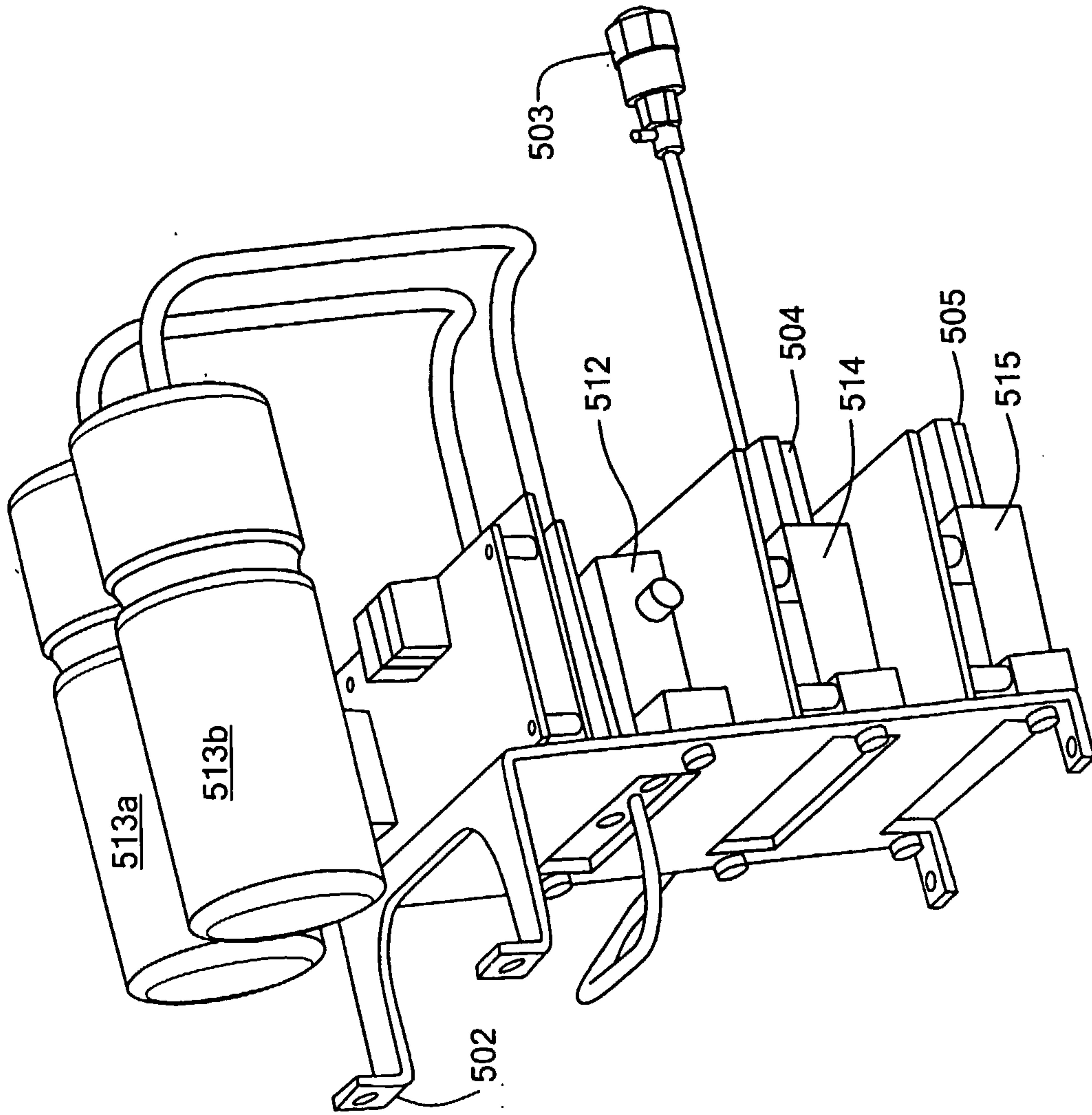


FIG. 5B

10/40

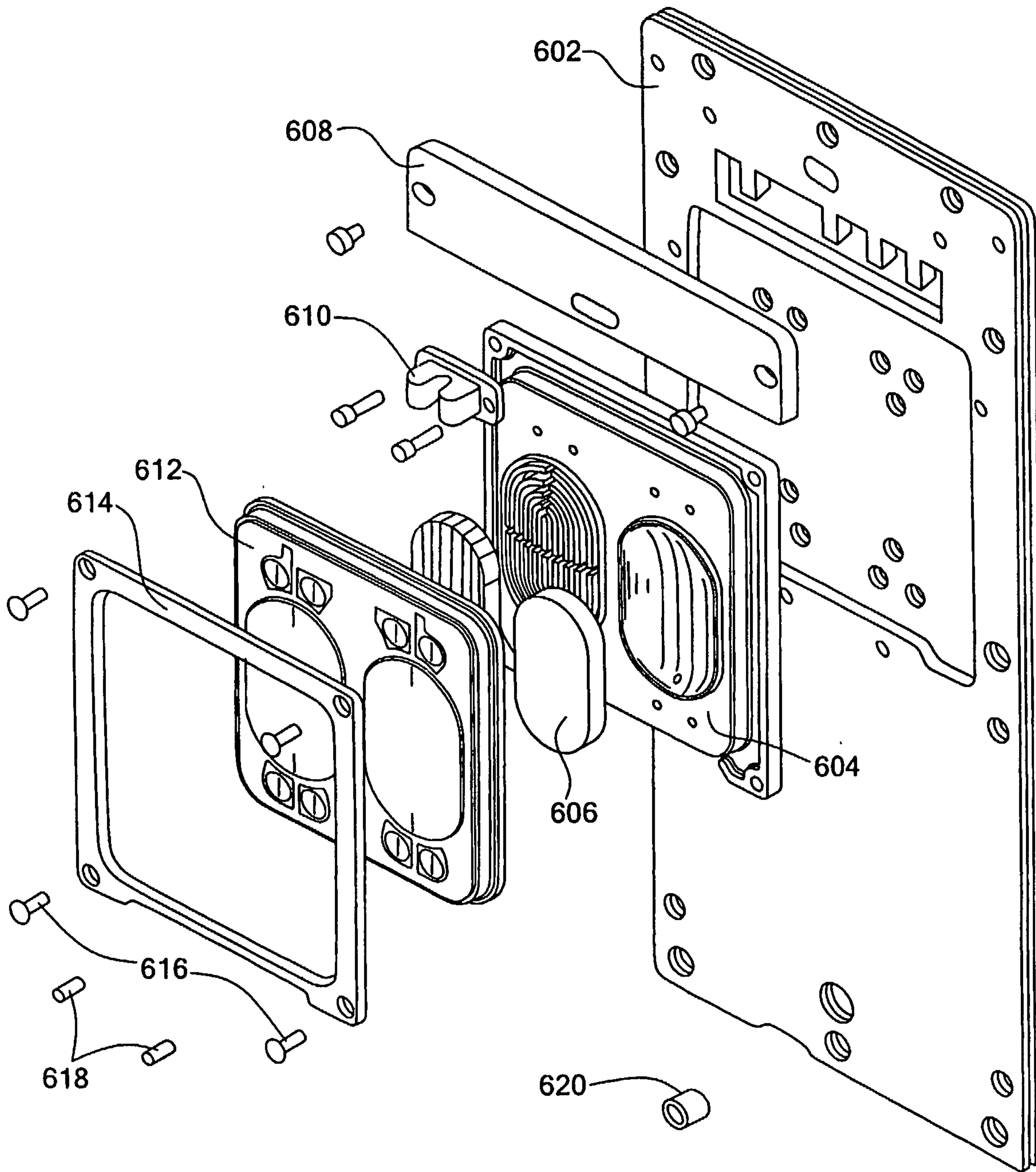


FIG. 6A

408

11/40

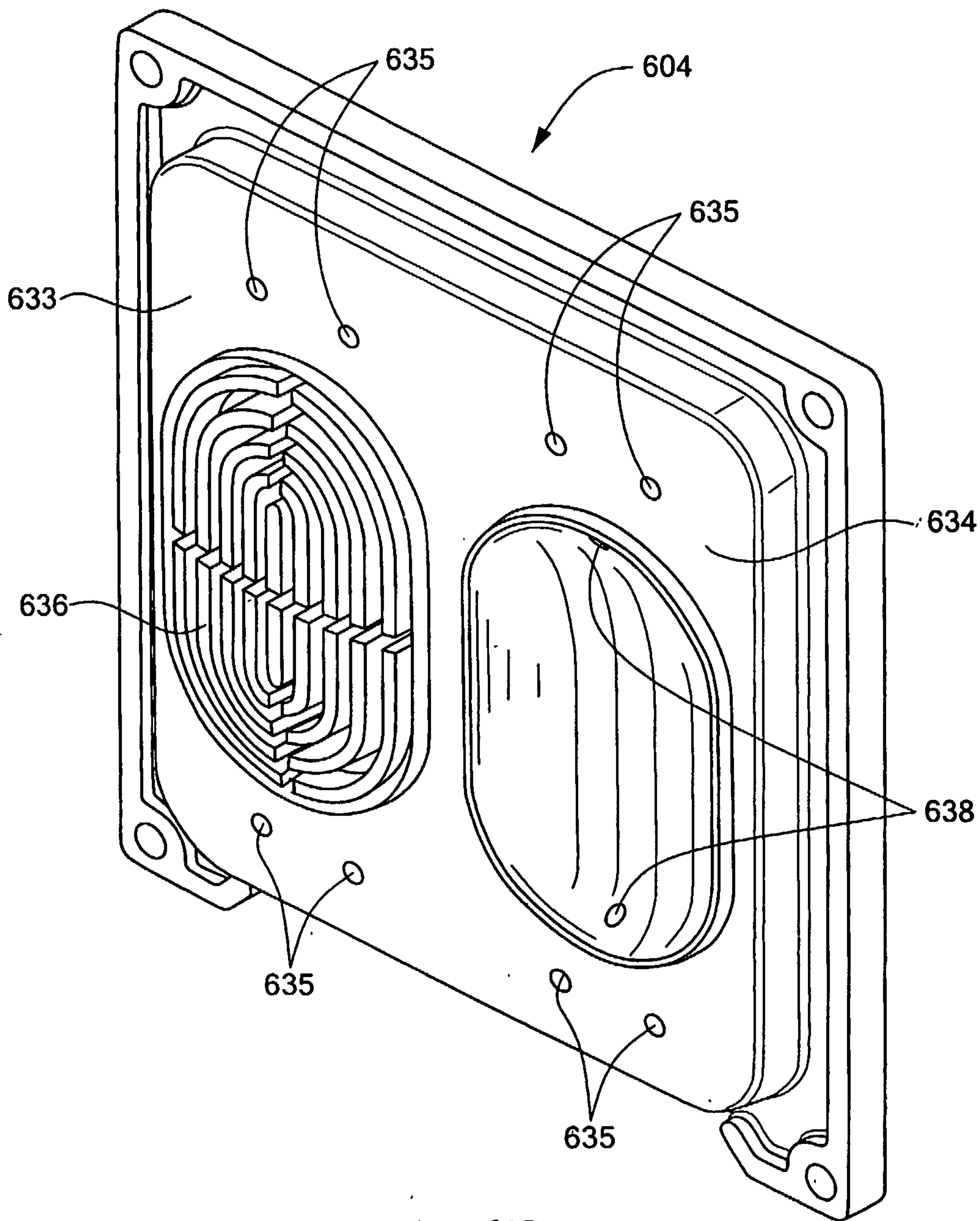


FIG. 6B

12/40

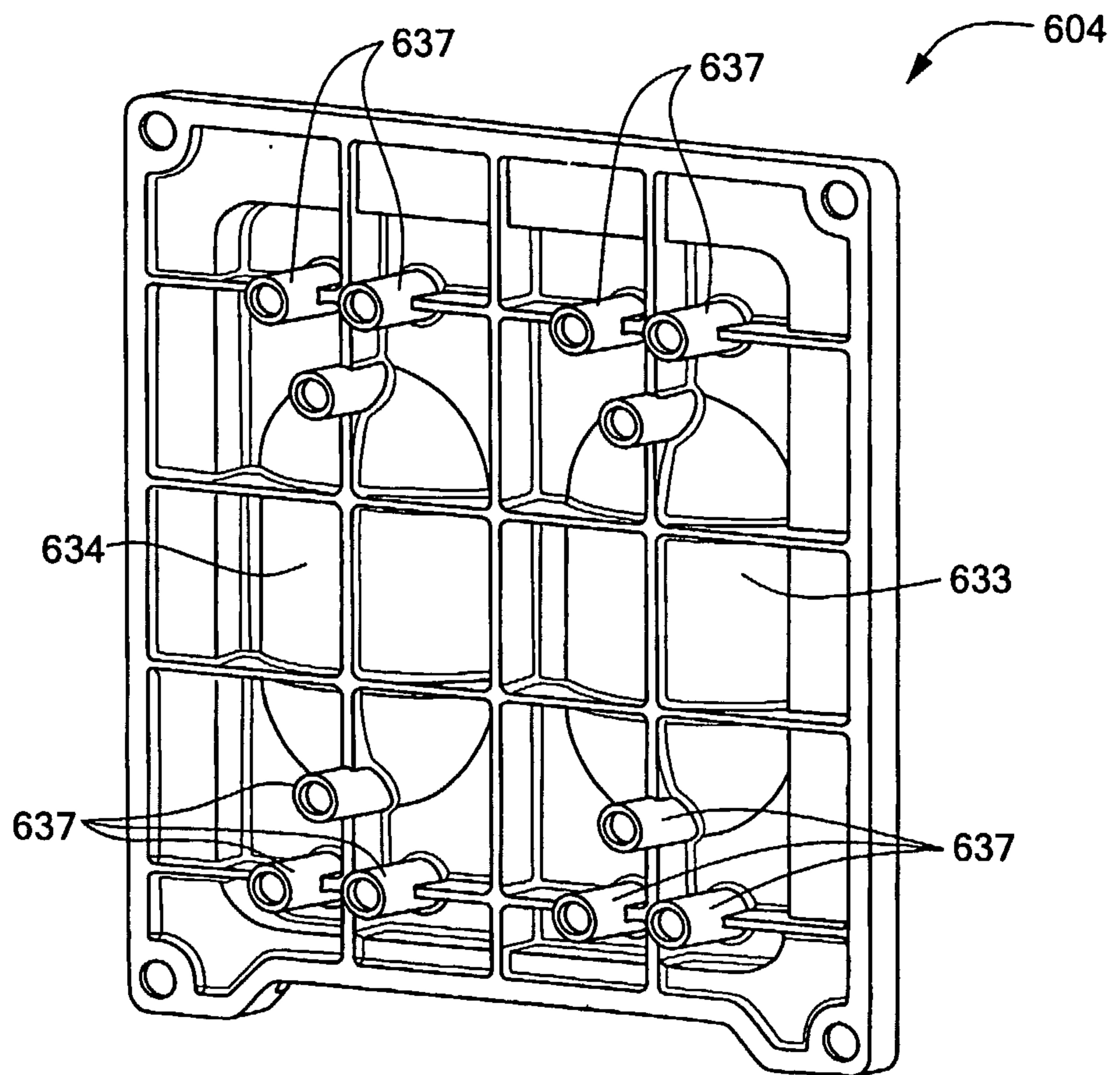


FIG. 6C

13/40

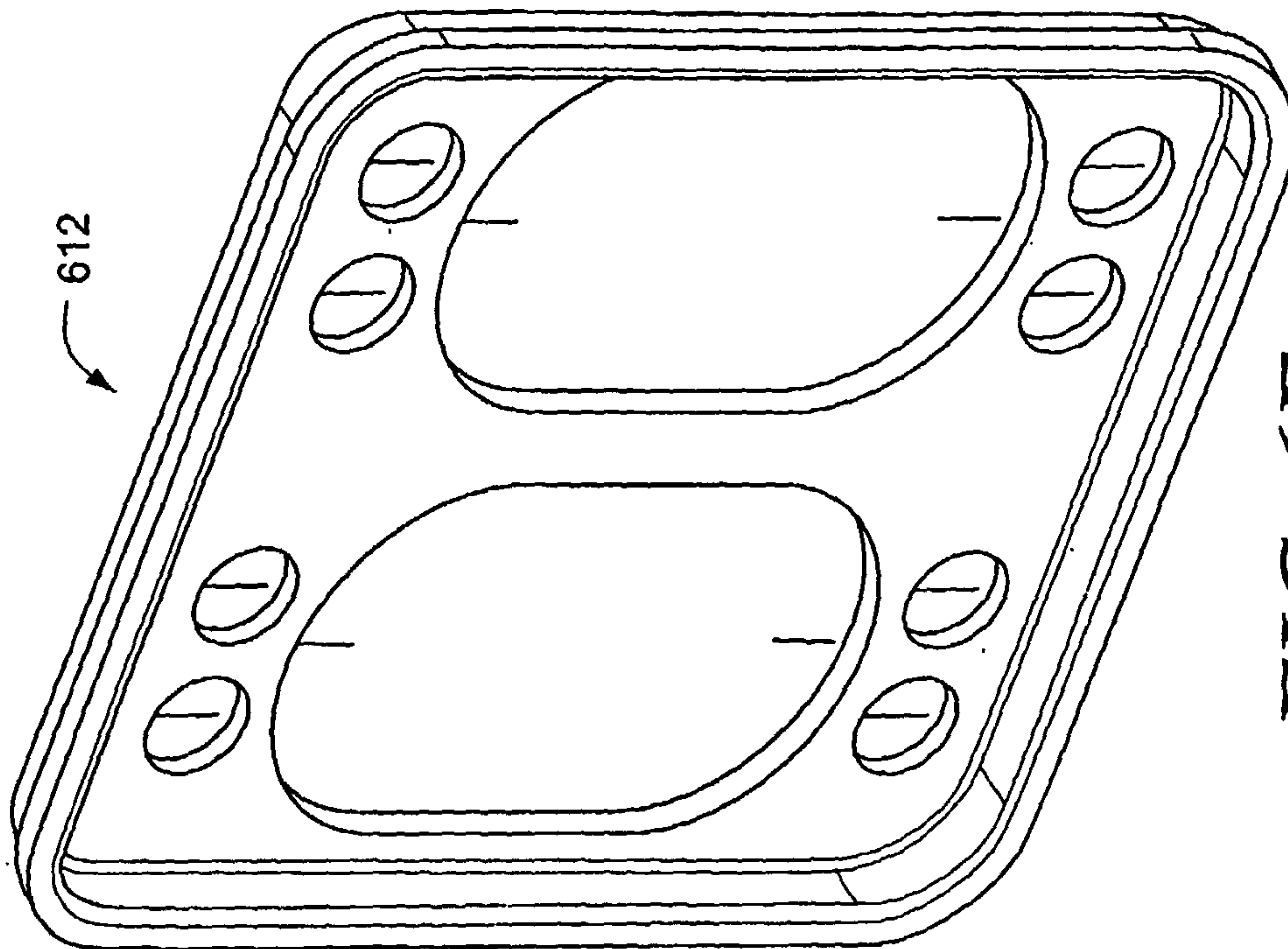


FIG. 6E

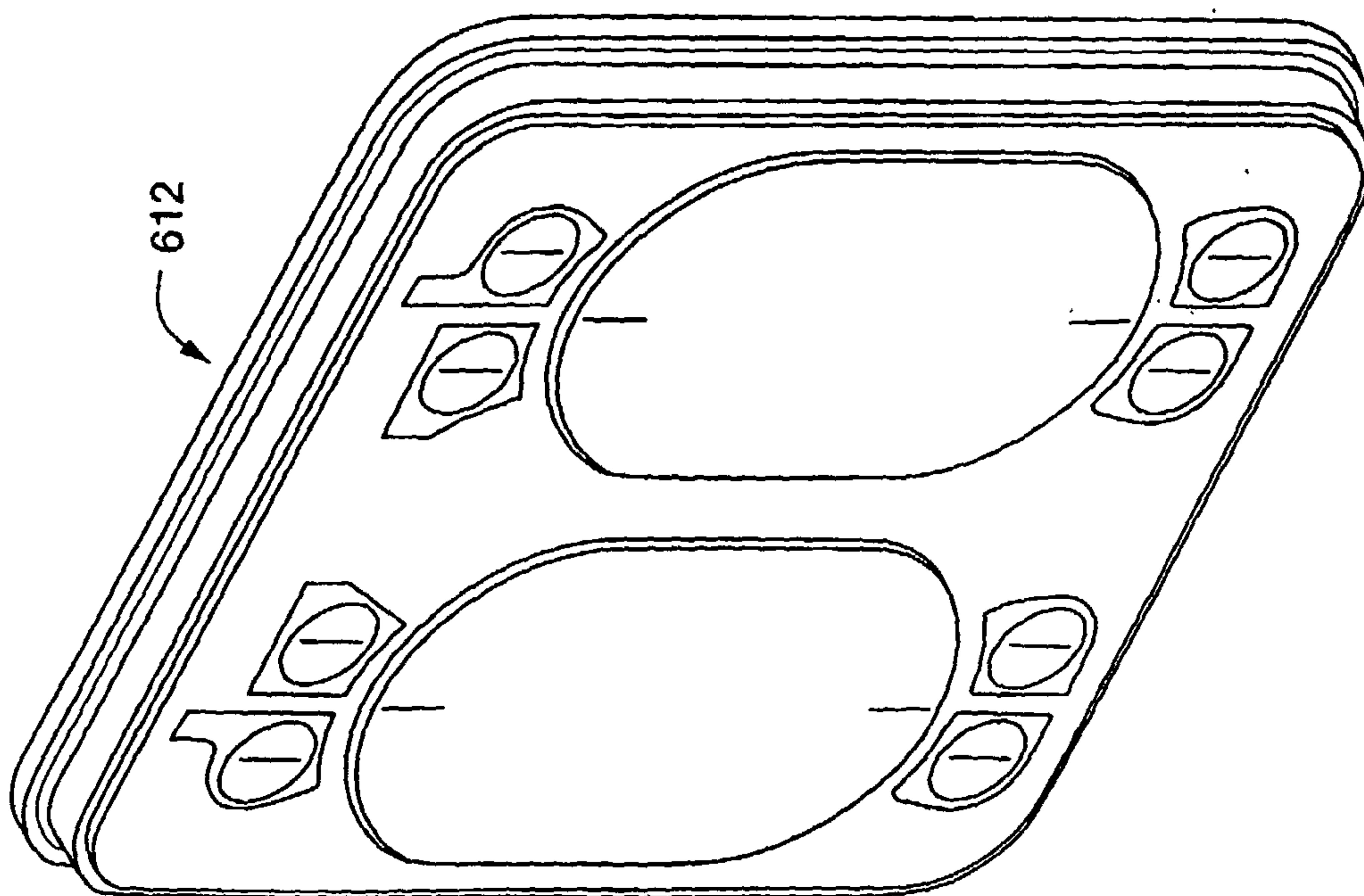


FIG. 6D

14/40

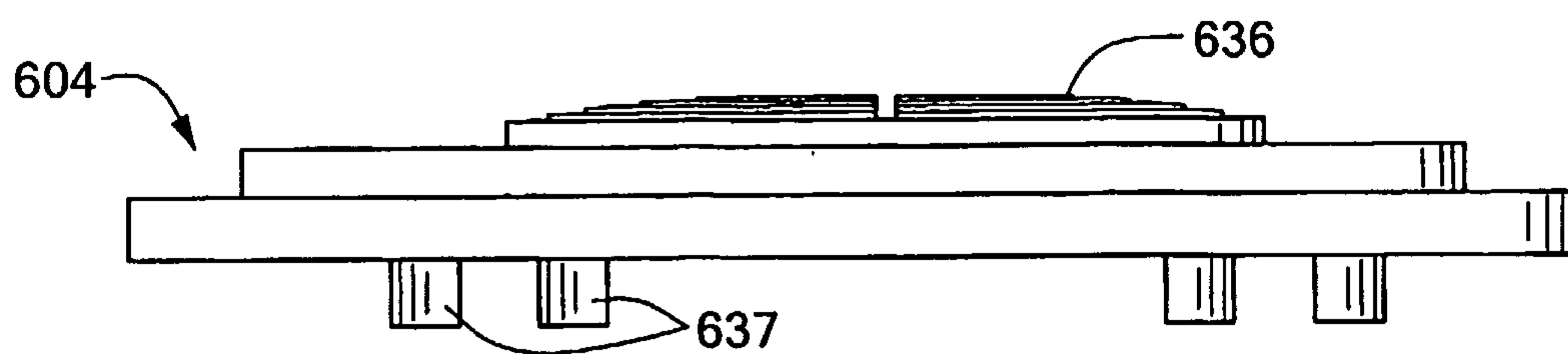


FIG. 6F

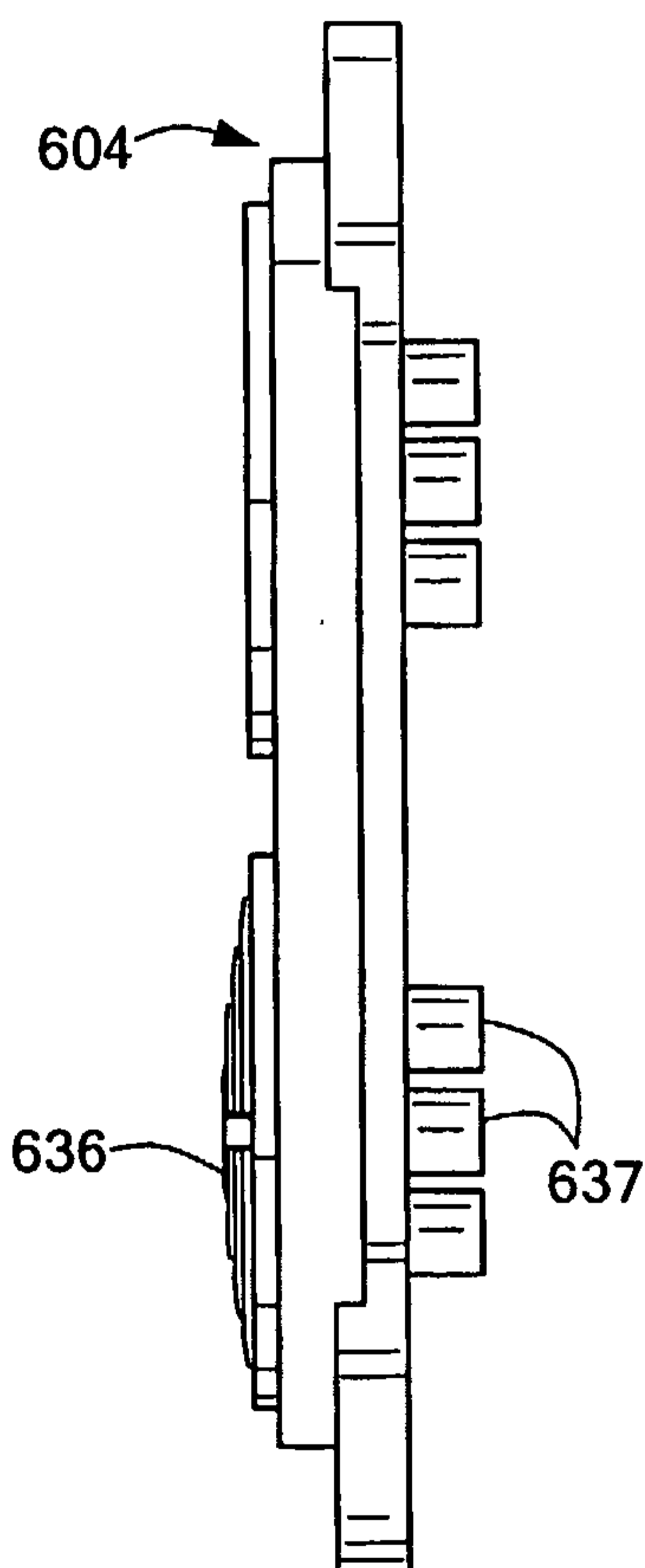


FIG. 6G

15/40

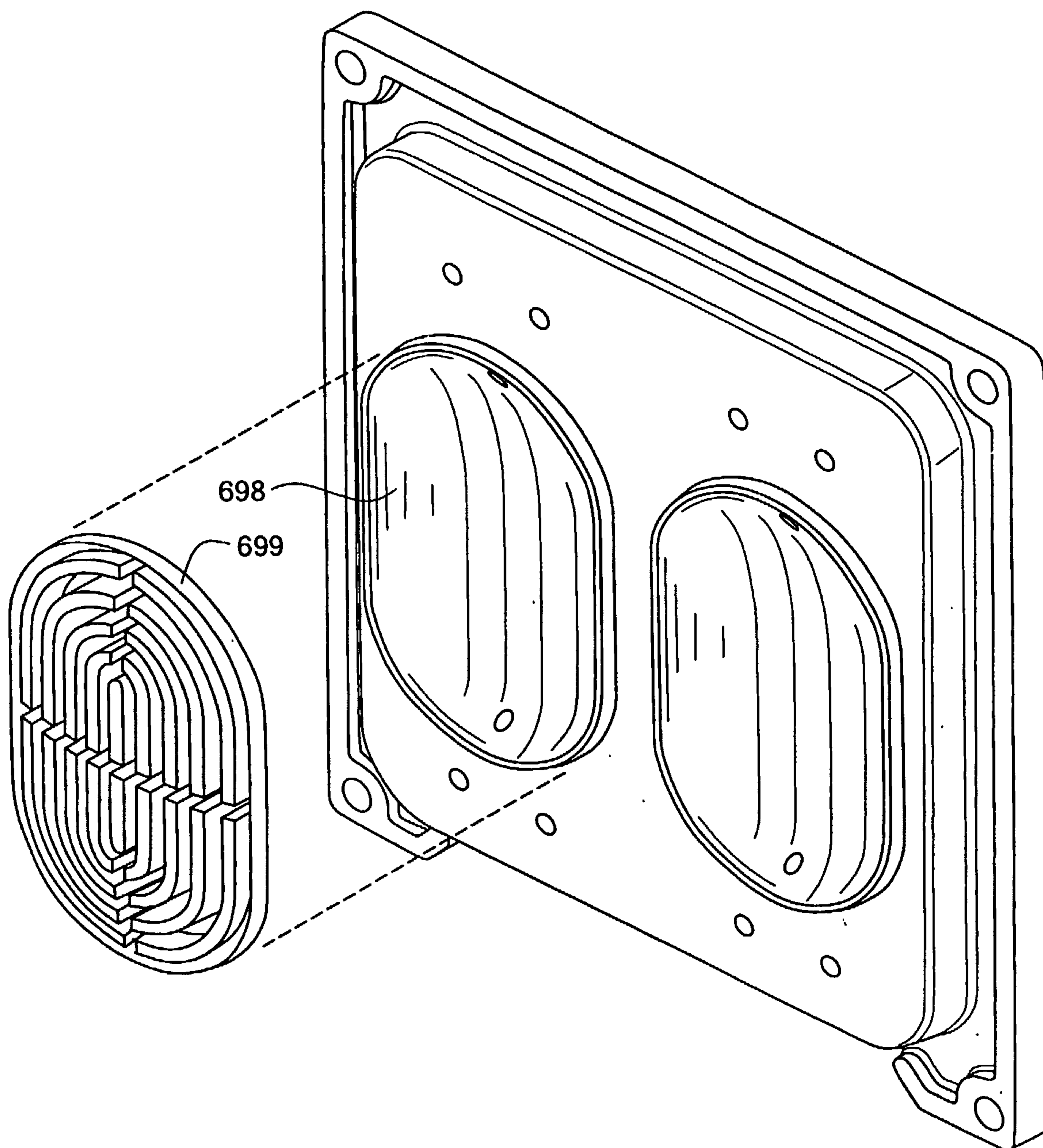
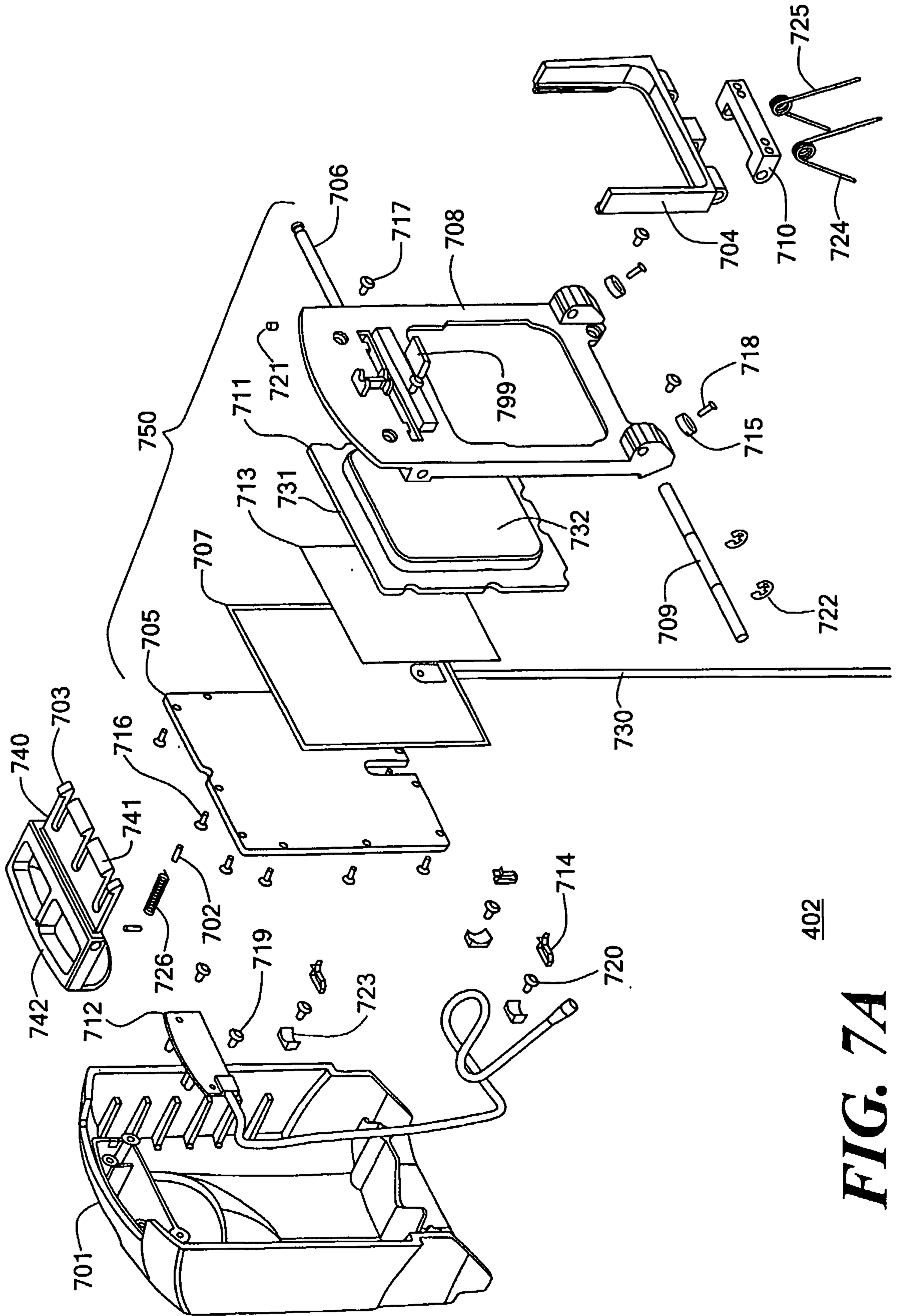


FIG. 6H

16/40



402

FIG. 7A

17/40

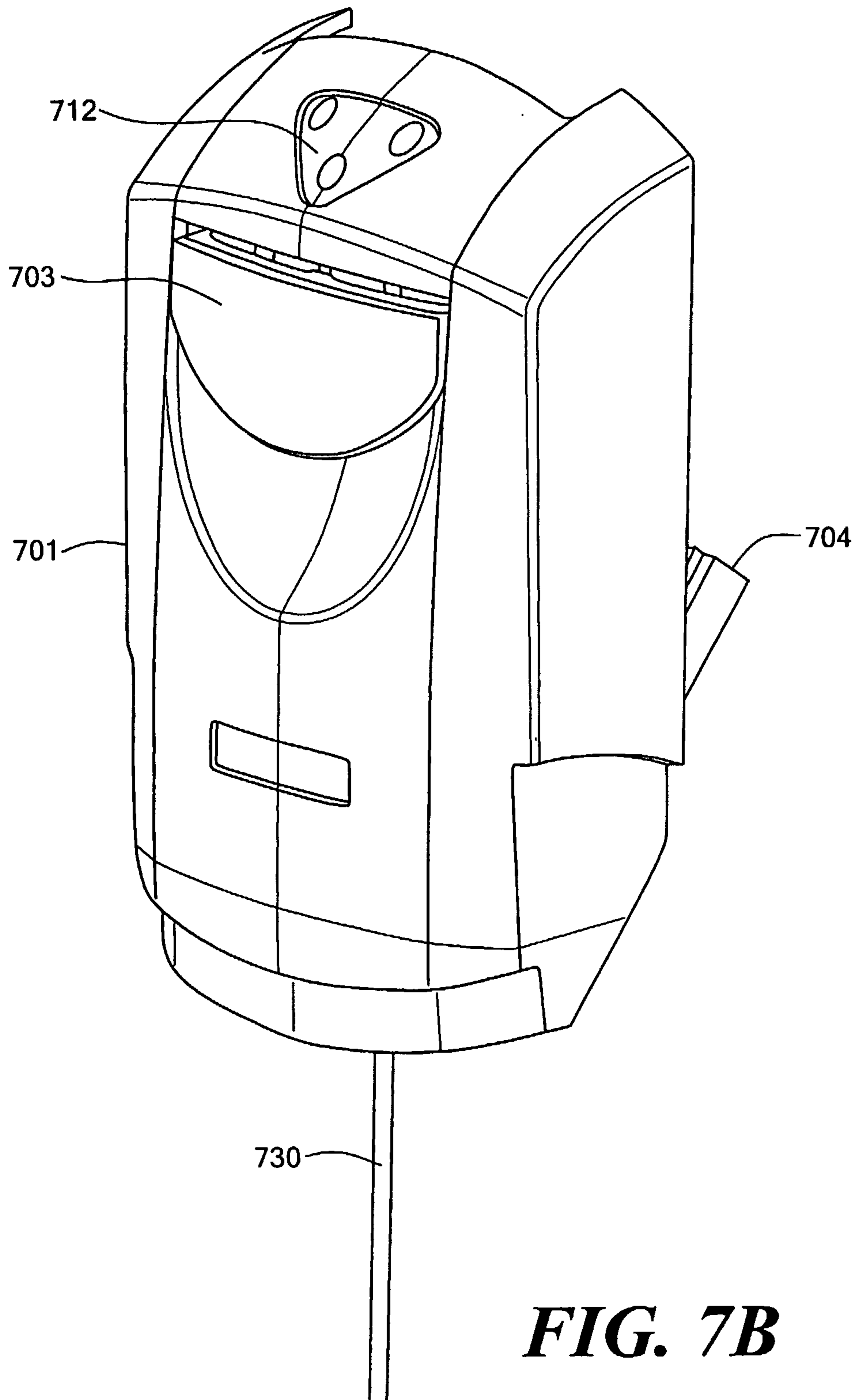


FIG. 7B

18/40

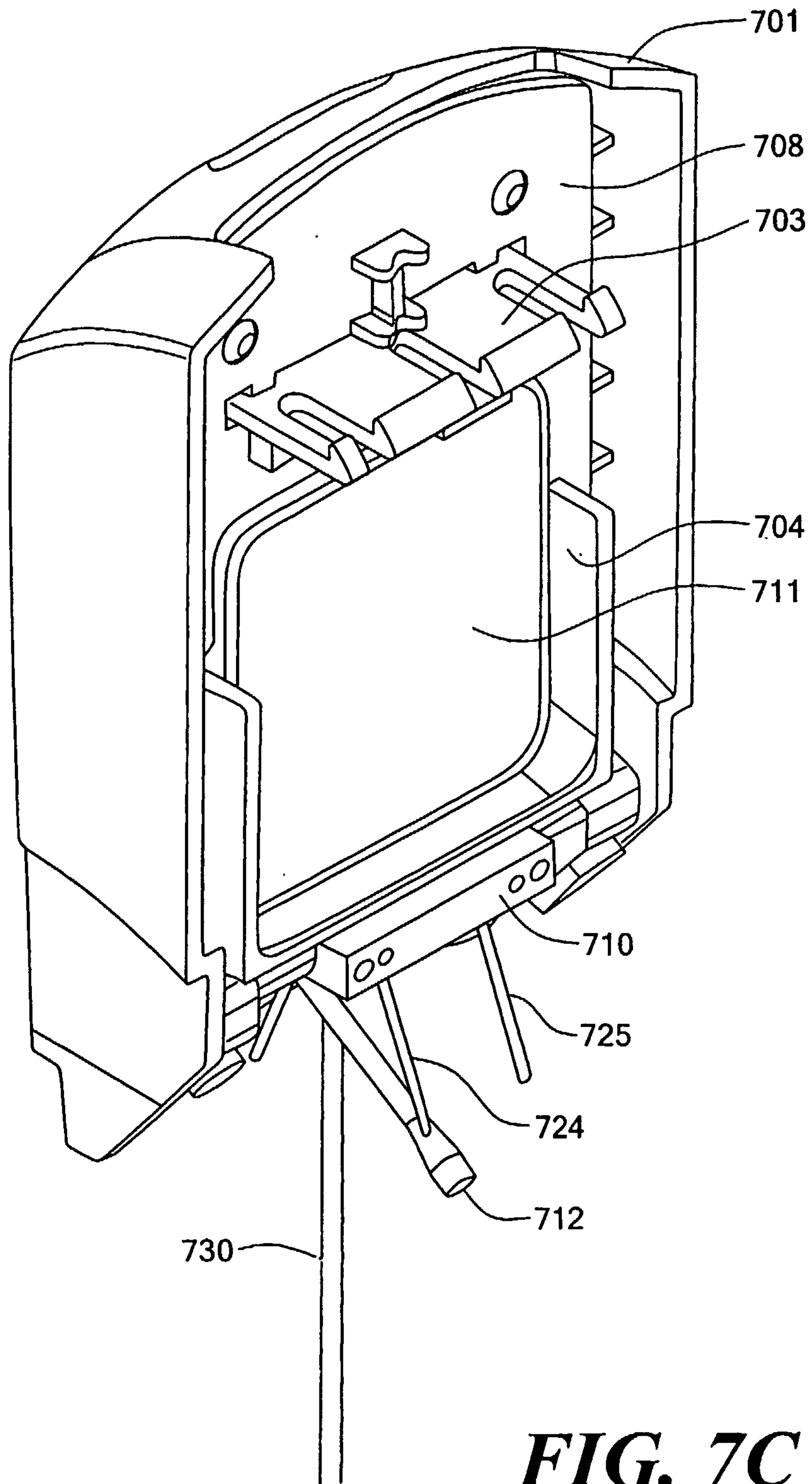


FIG. 7C

19/40

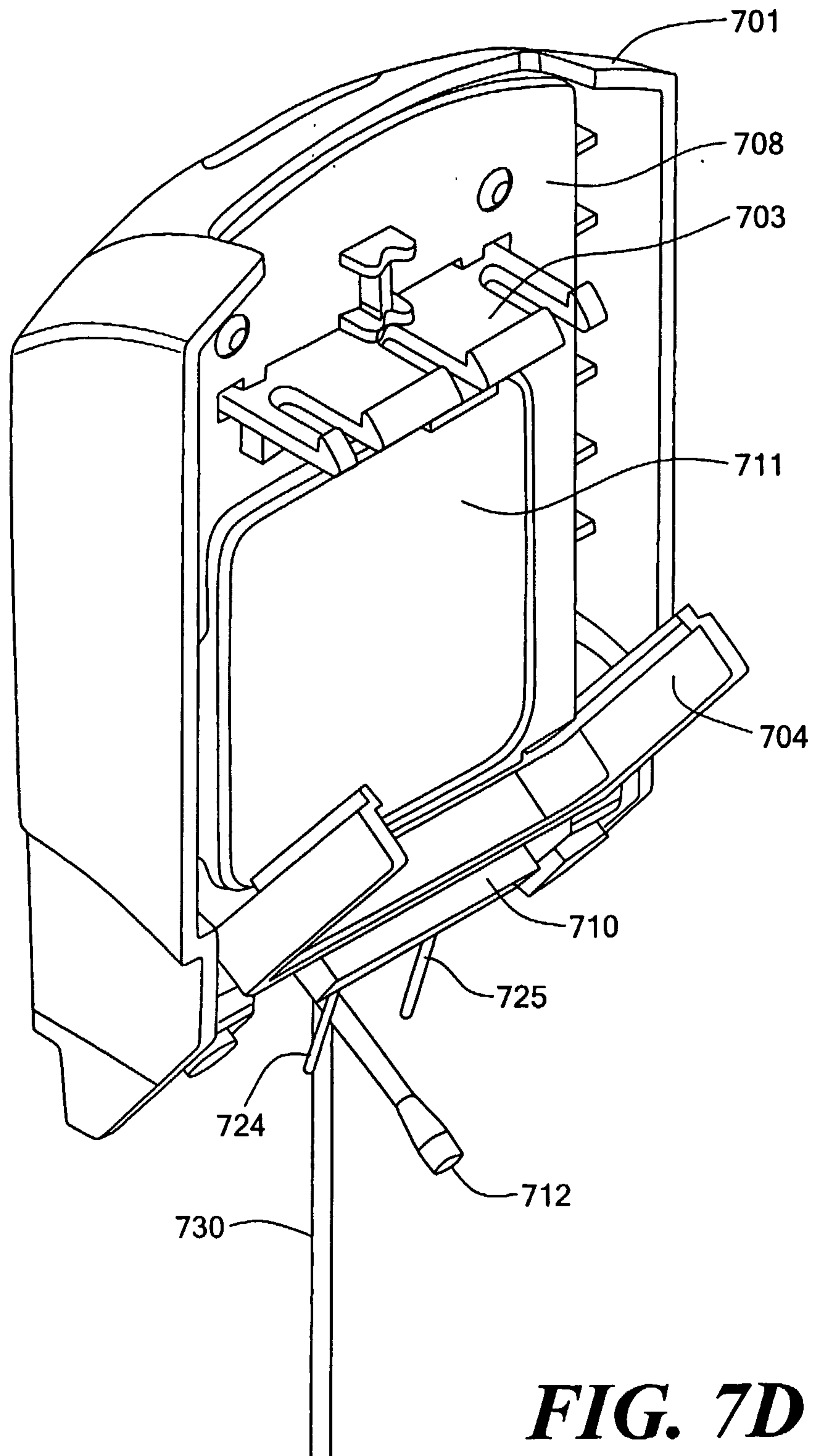


FIG. 7D

20/40

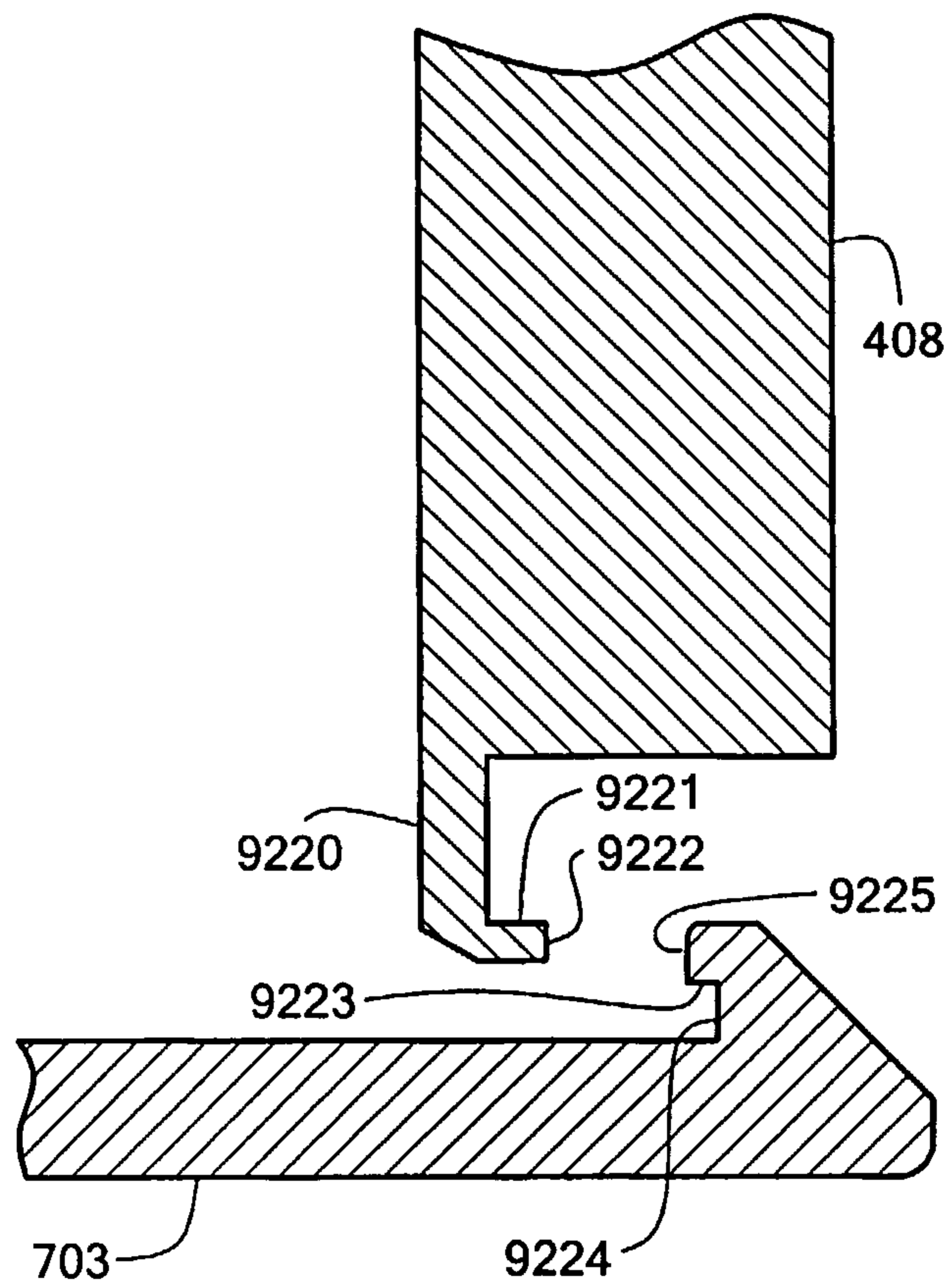


FIG. 7E

21/40

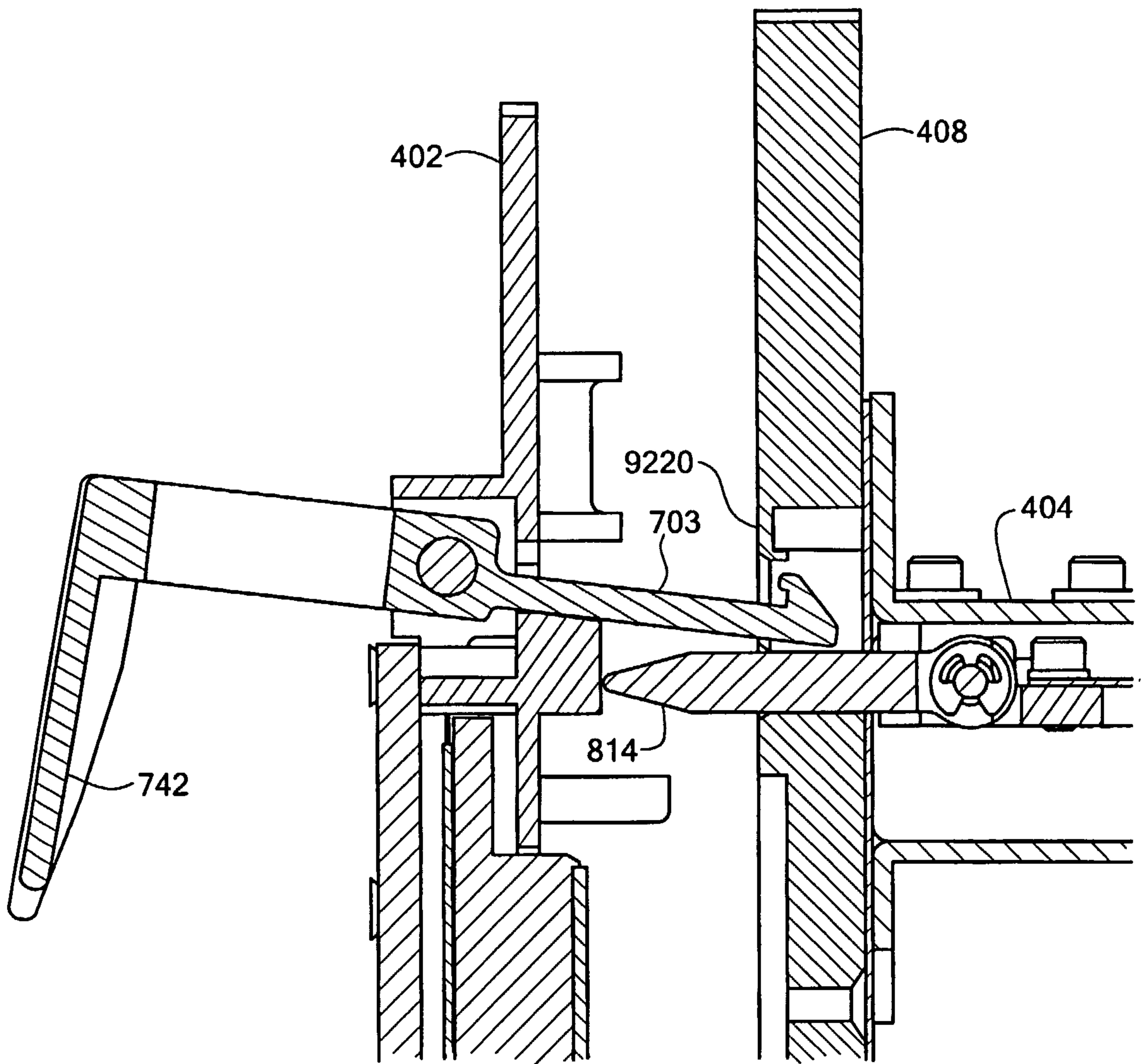


FIG. 7F

22/40

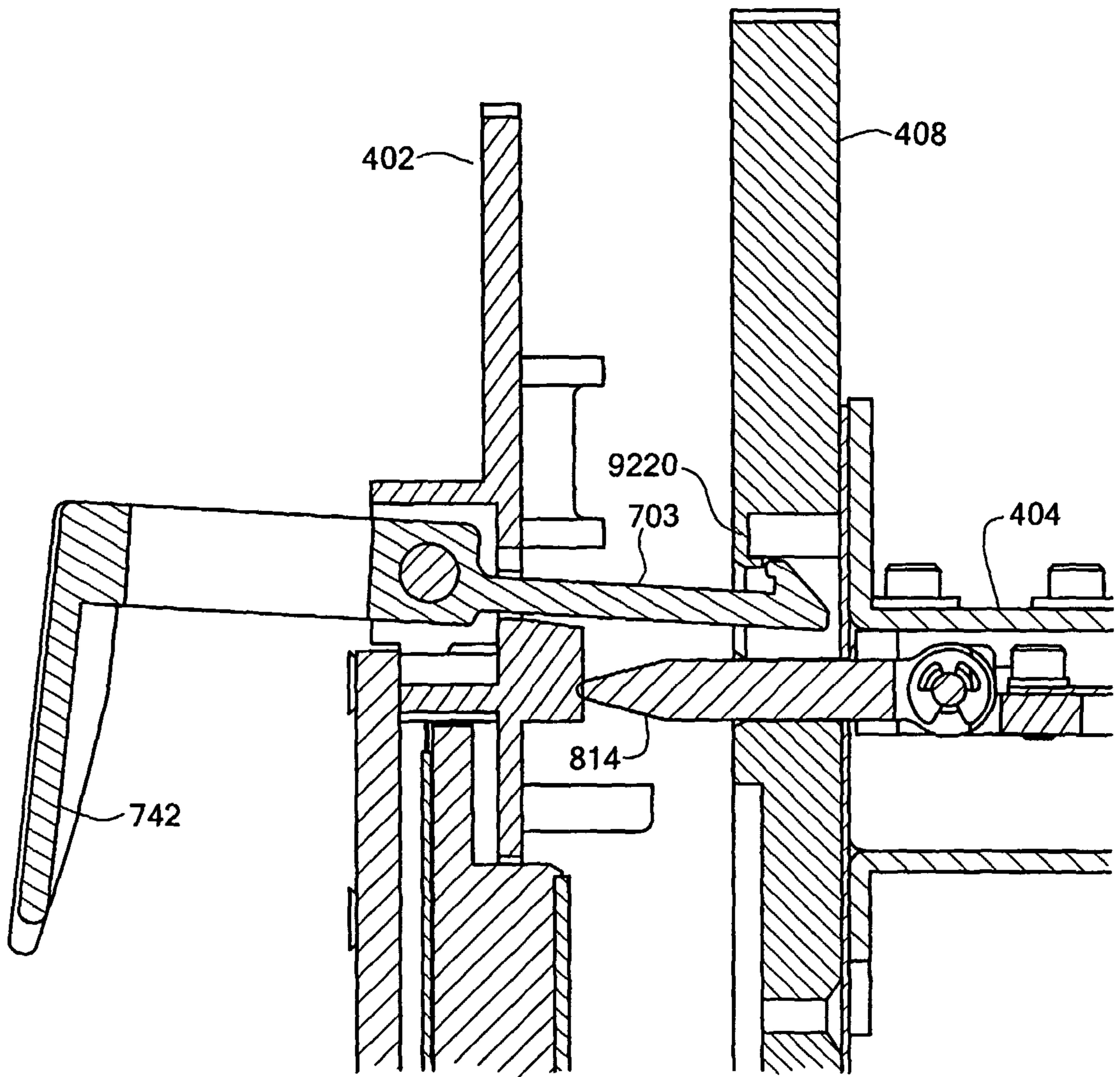


FIG. 7G

23/40

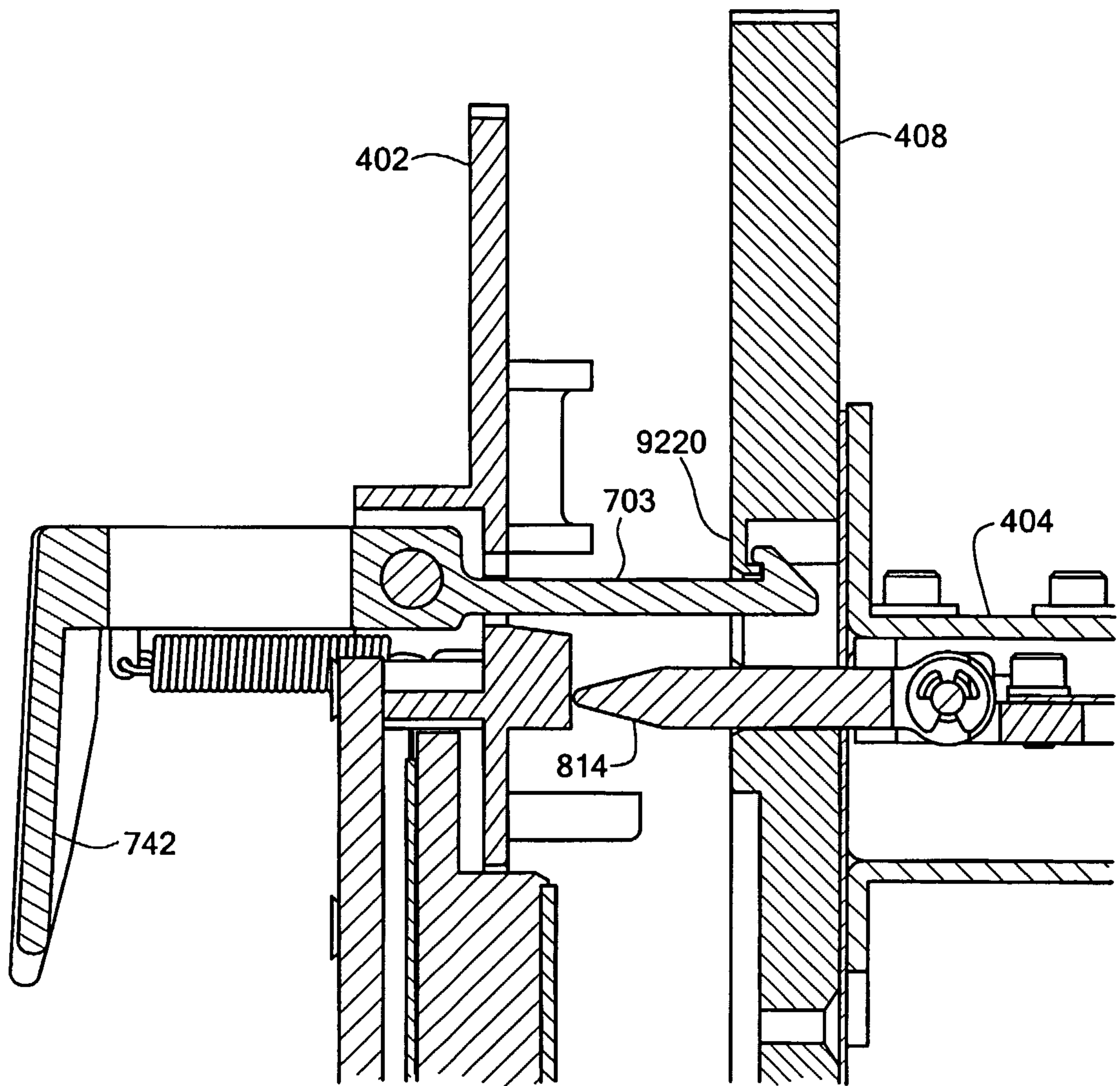
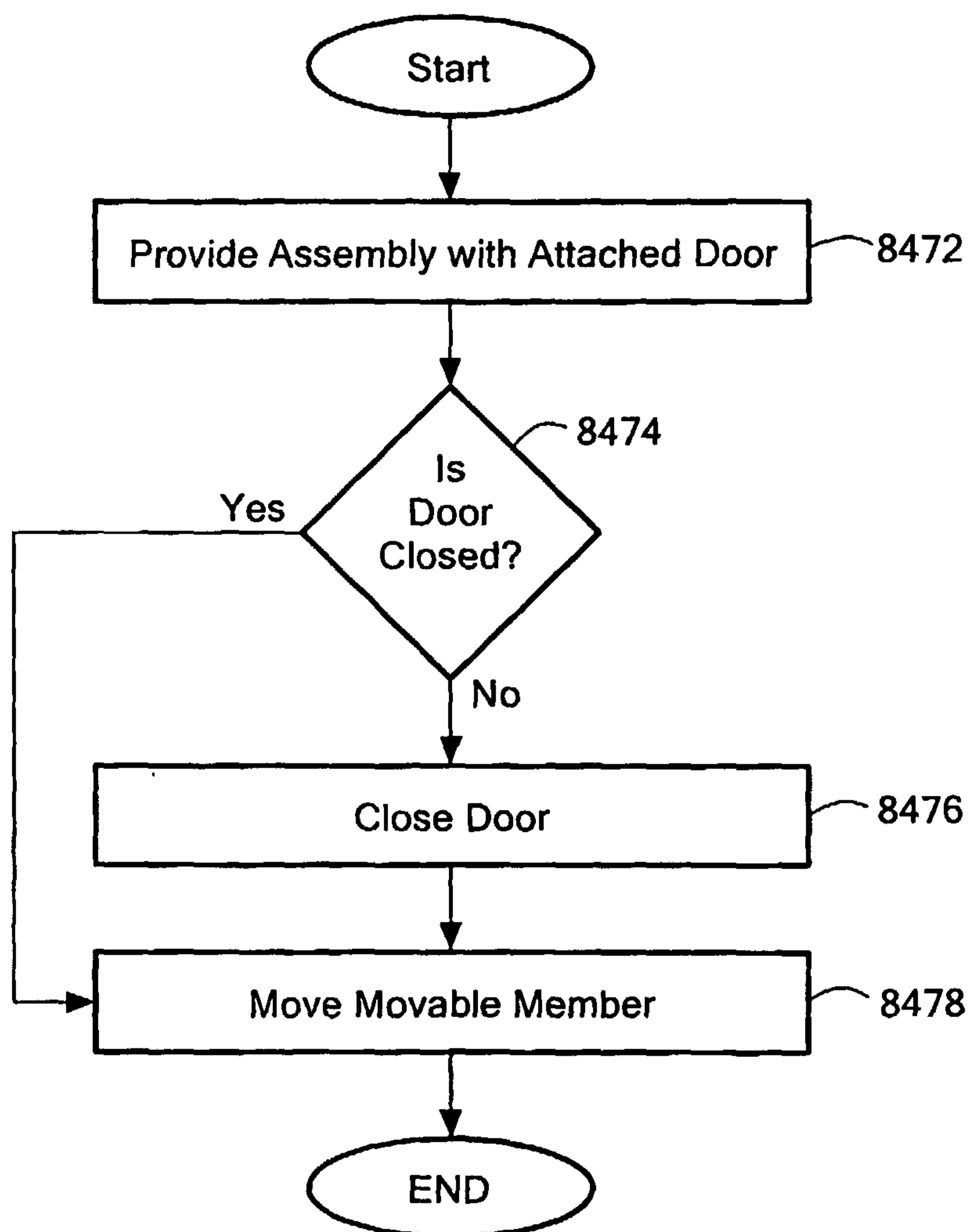


FIG. 7H

24/40

**FIG. 7I**

25/40

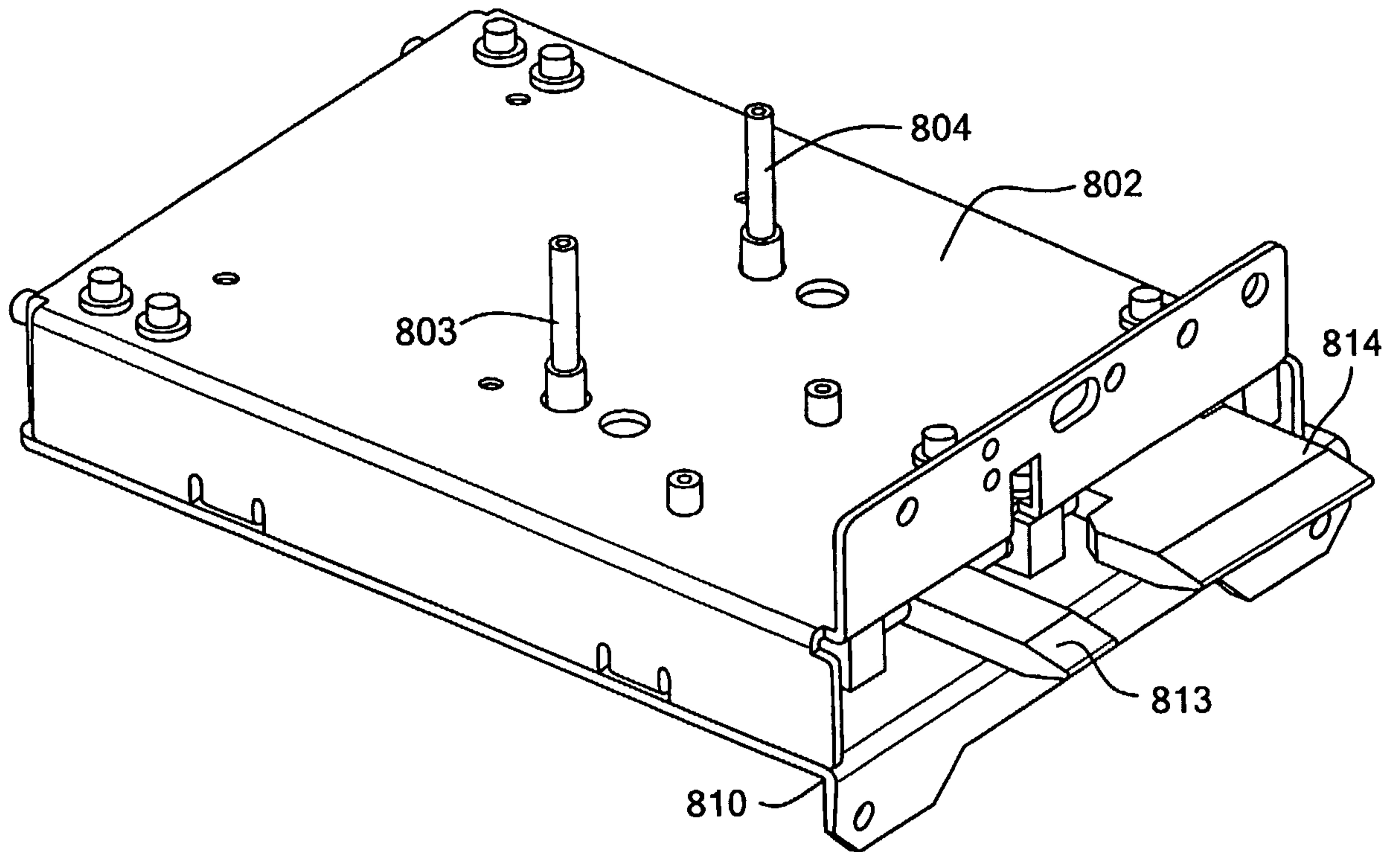


FIG. 8

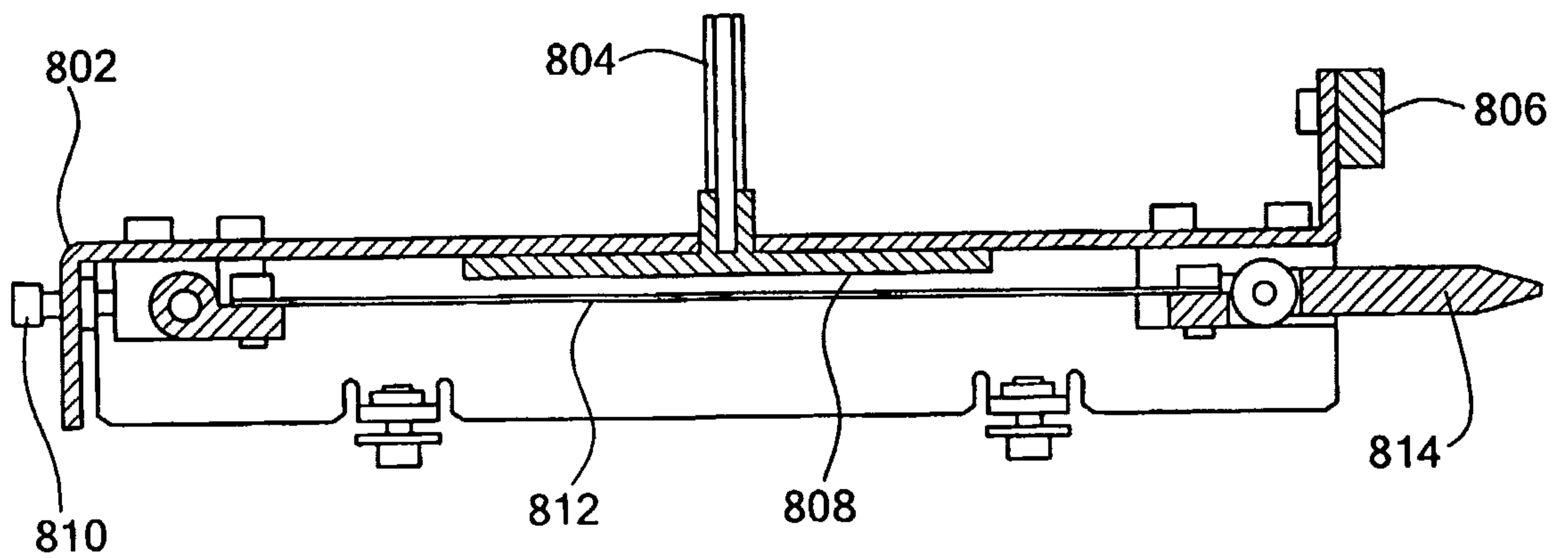


FIG. 9

26/40

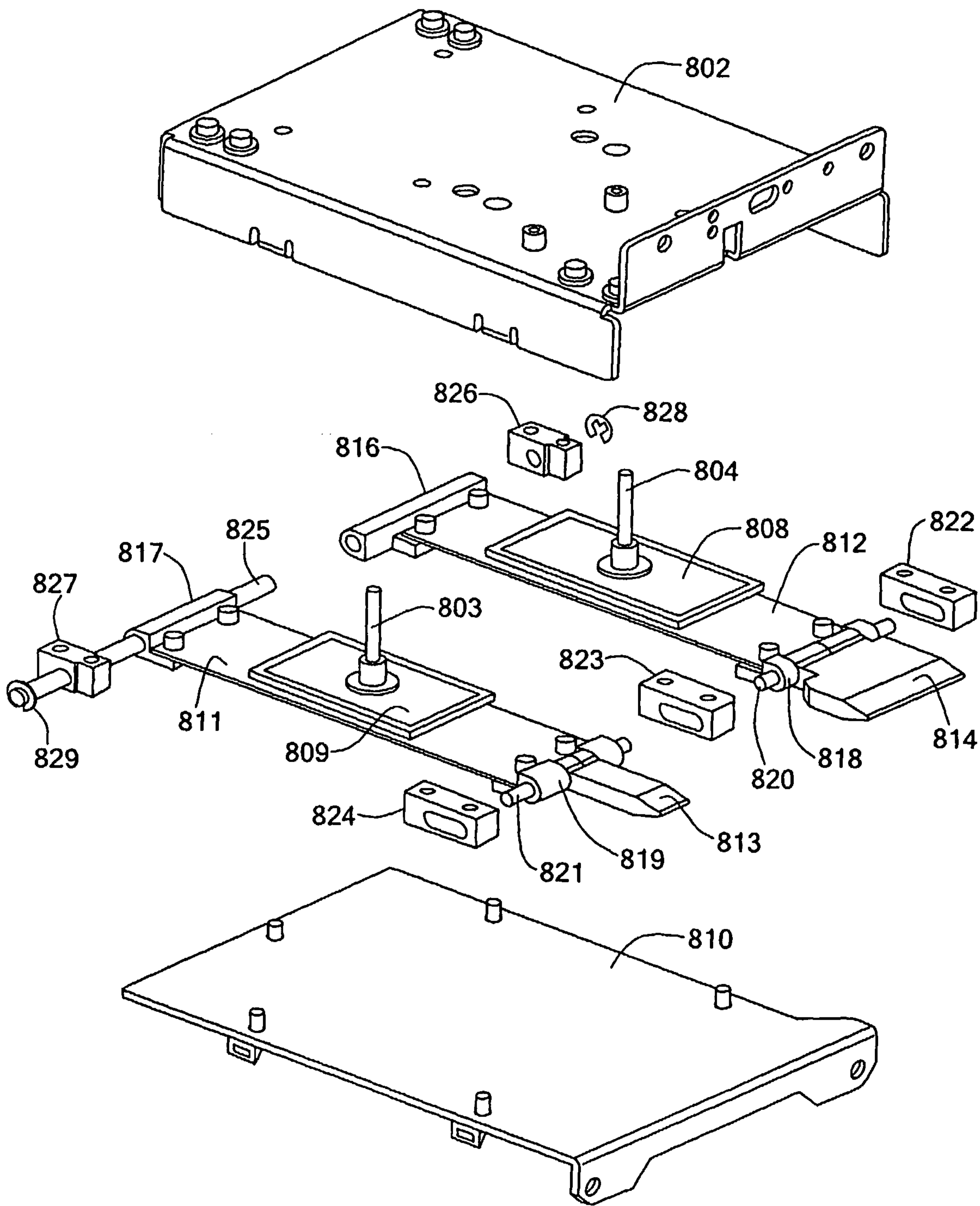


FIG. 10

27/40

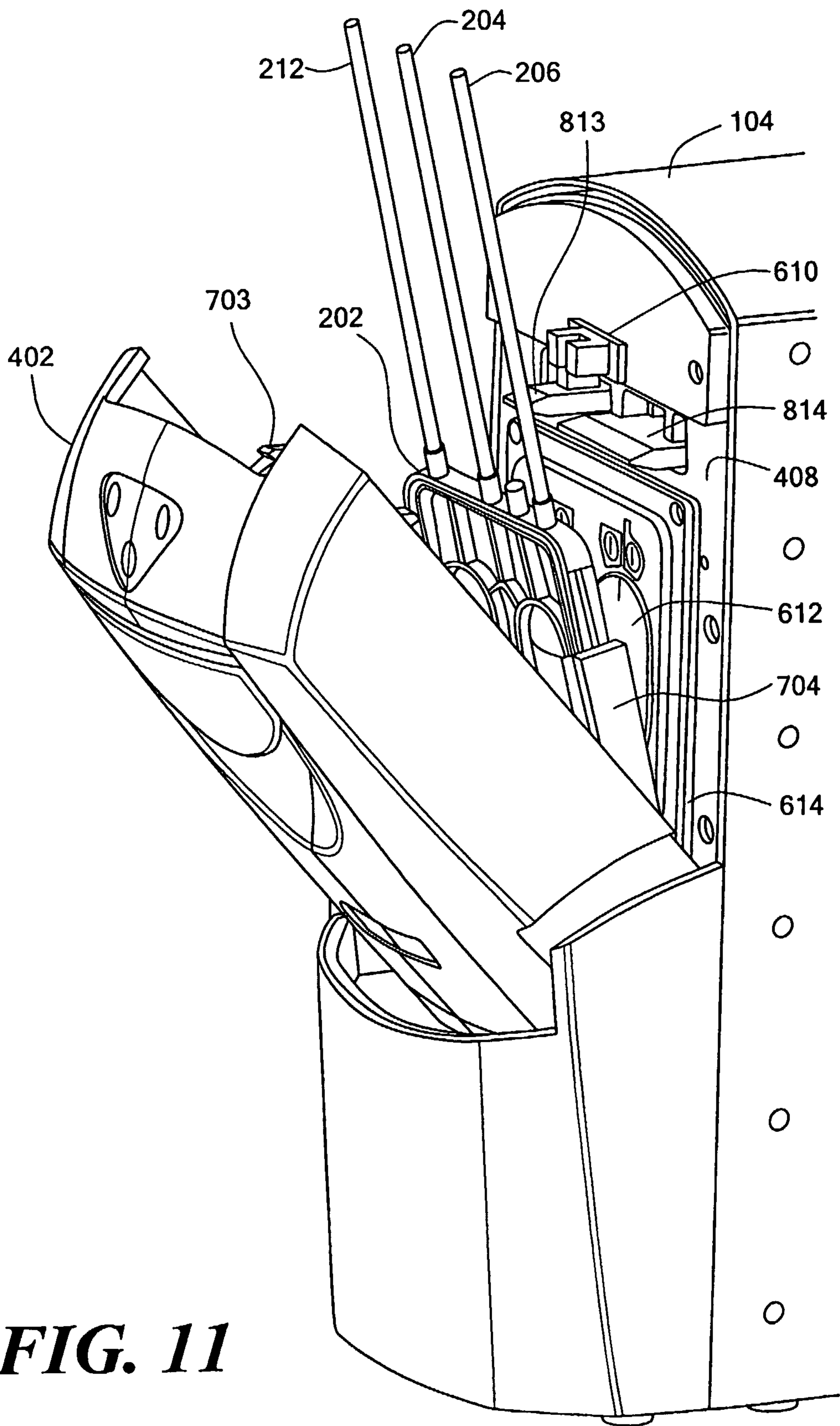


FIG. 11

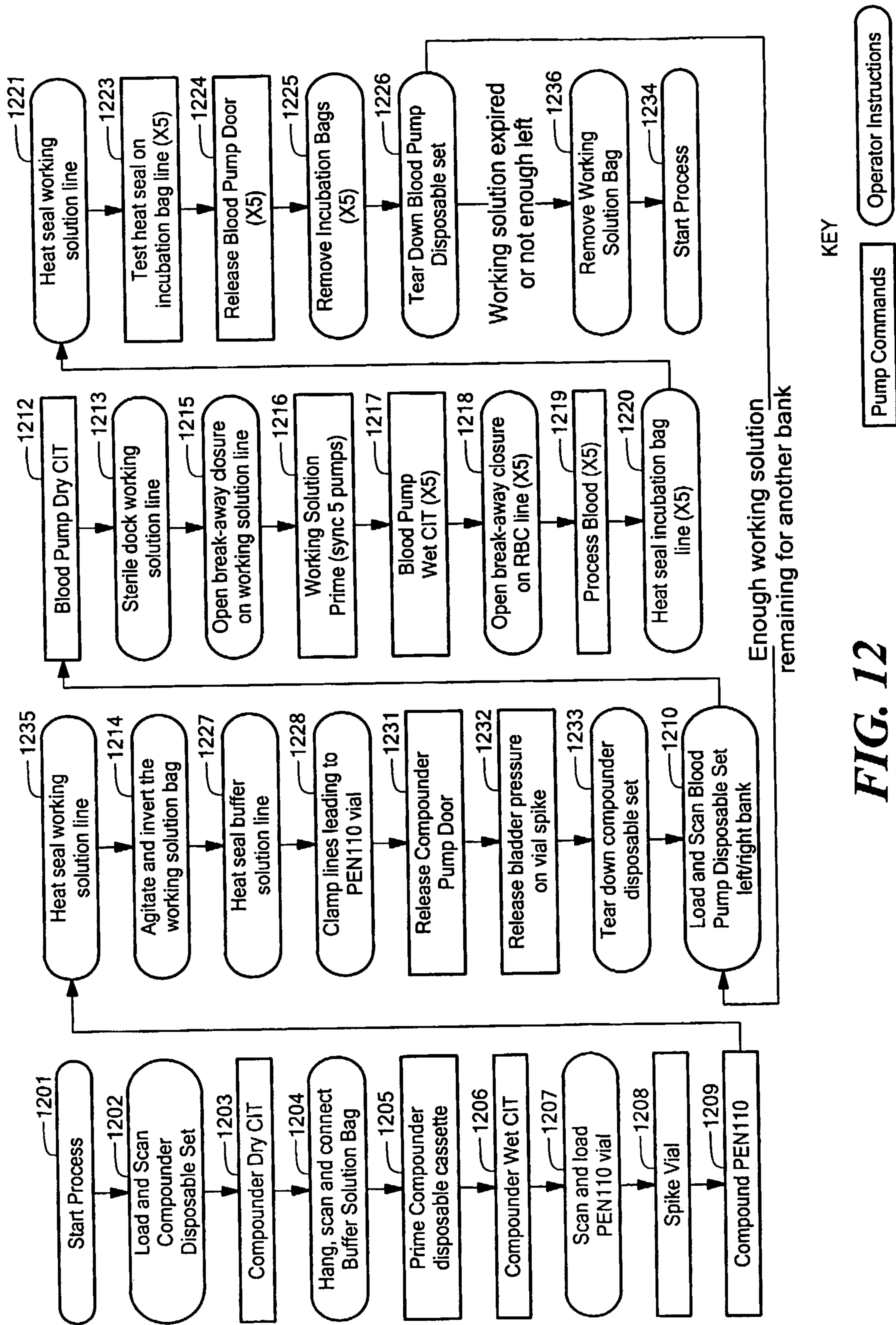


FIG. 12

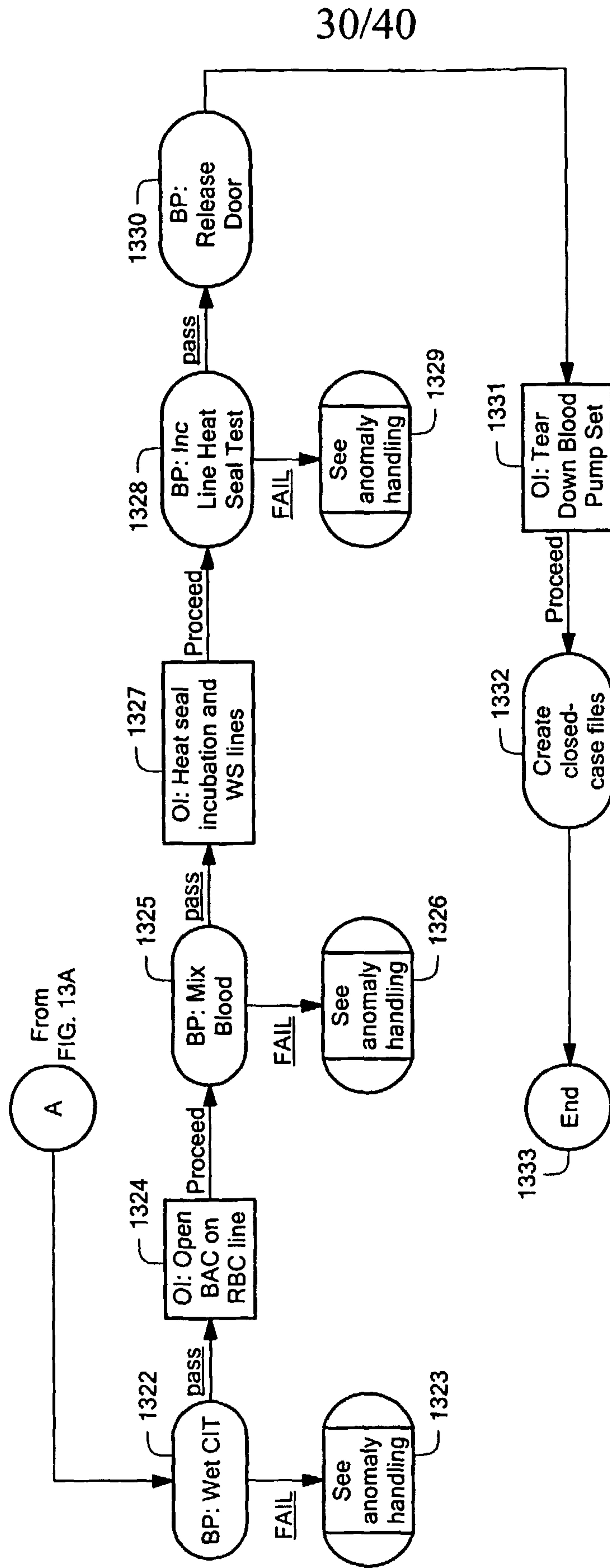


FIG. 13B

31/40

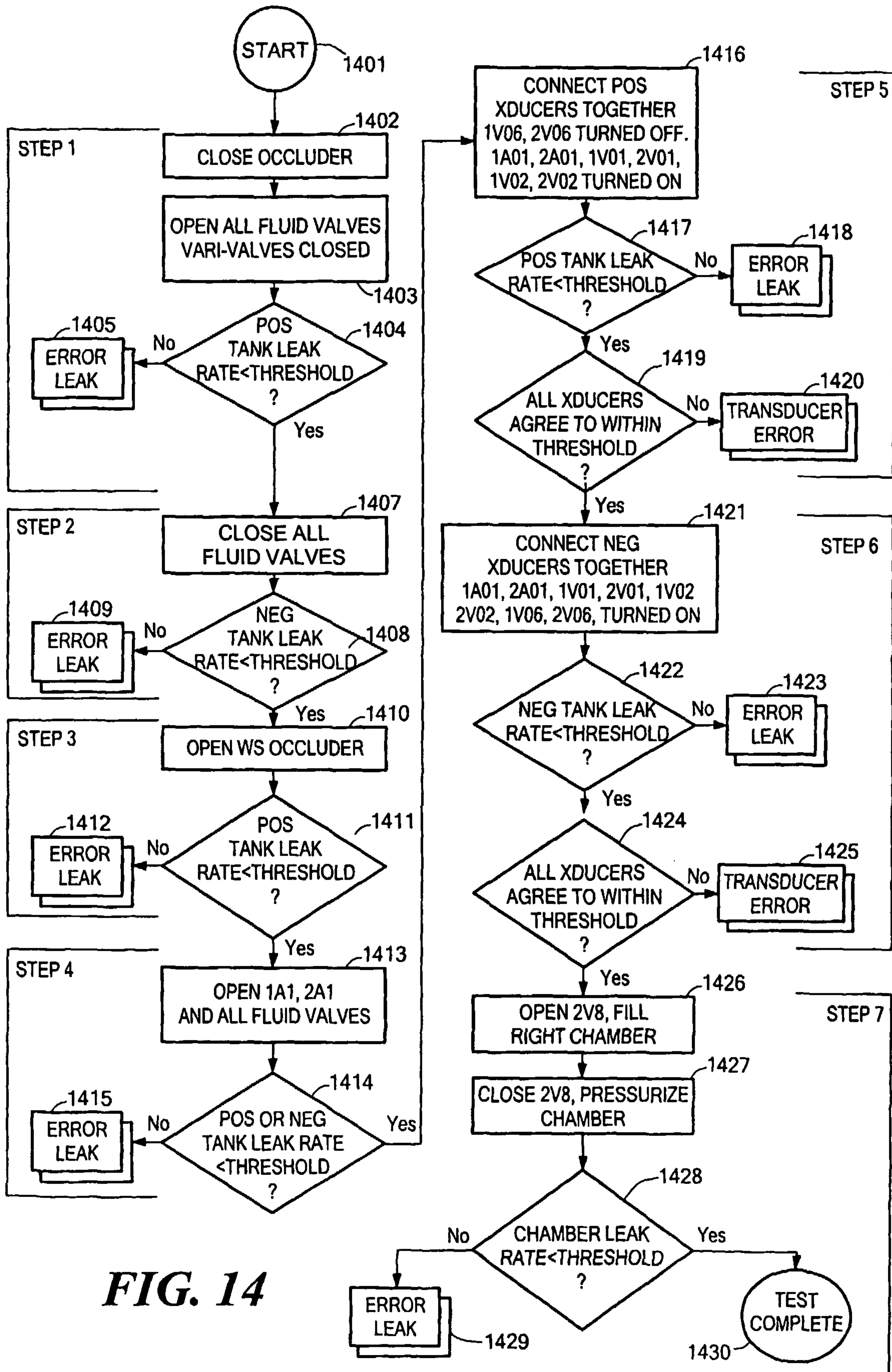


FIG. 14

32/40

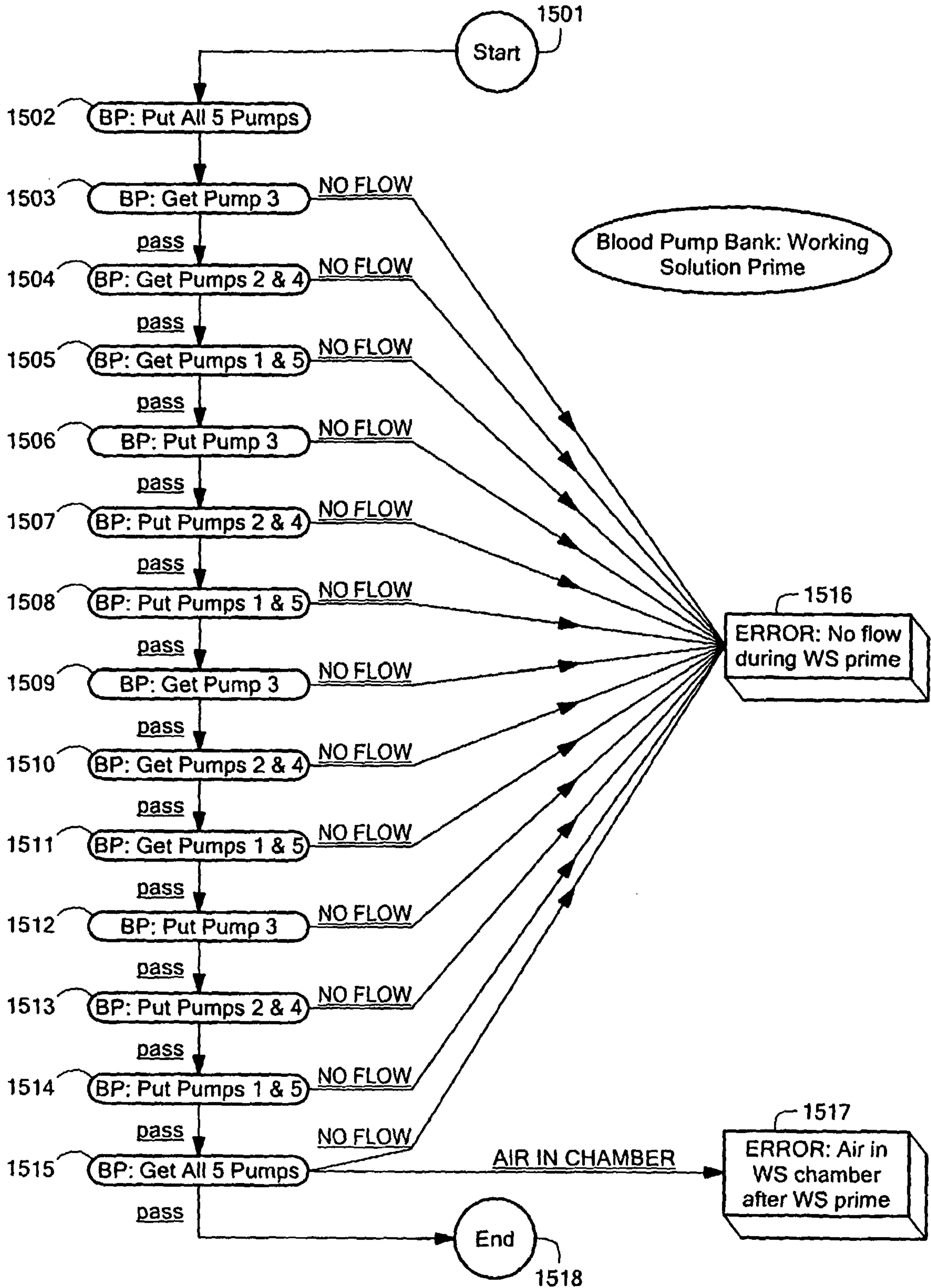


FIG. 15

33/40

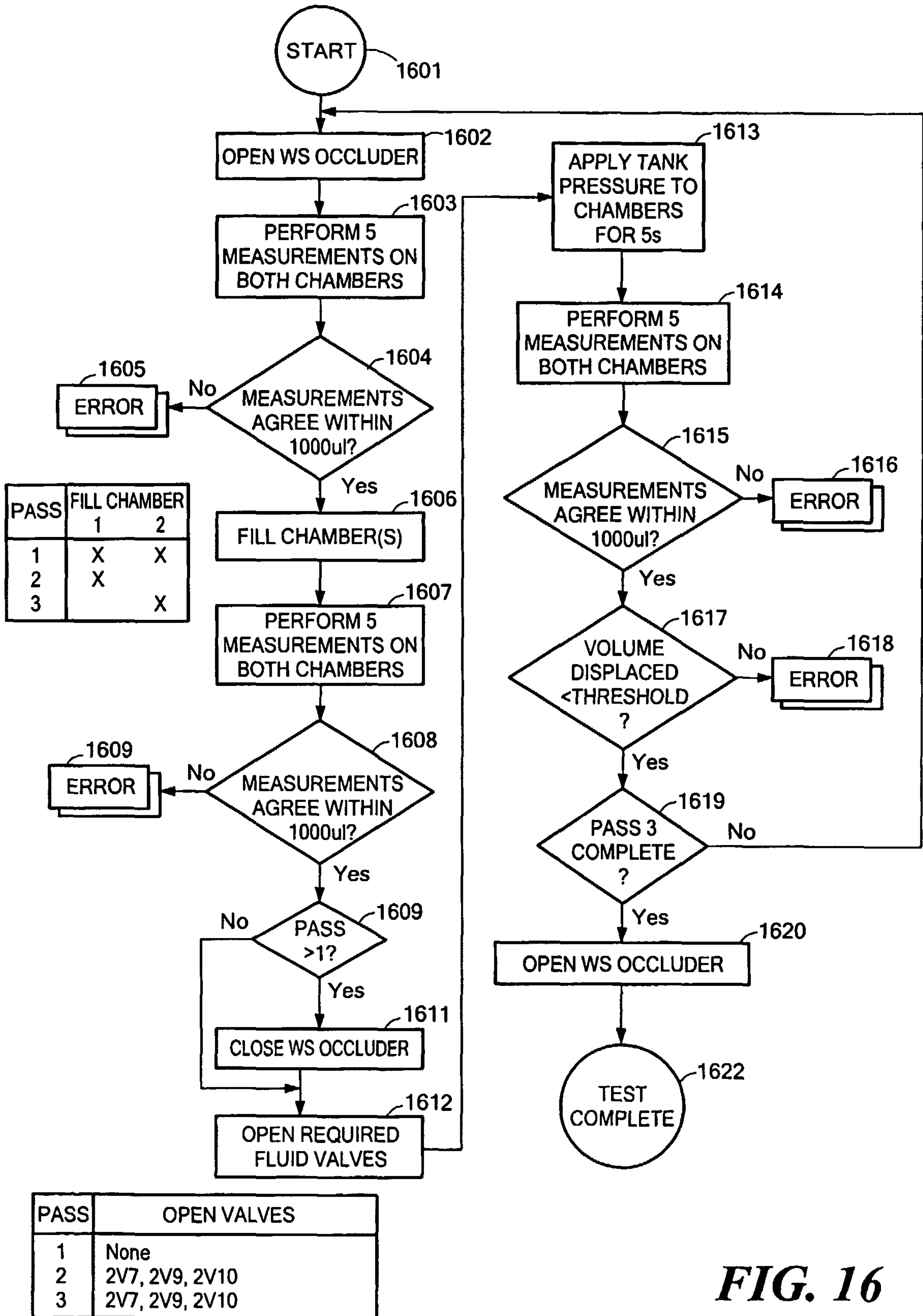


FIG. 16

34/40

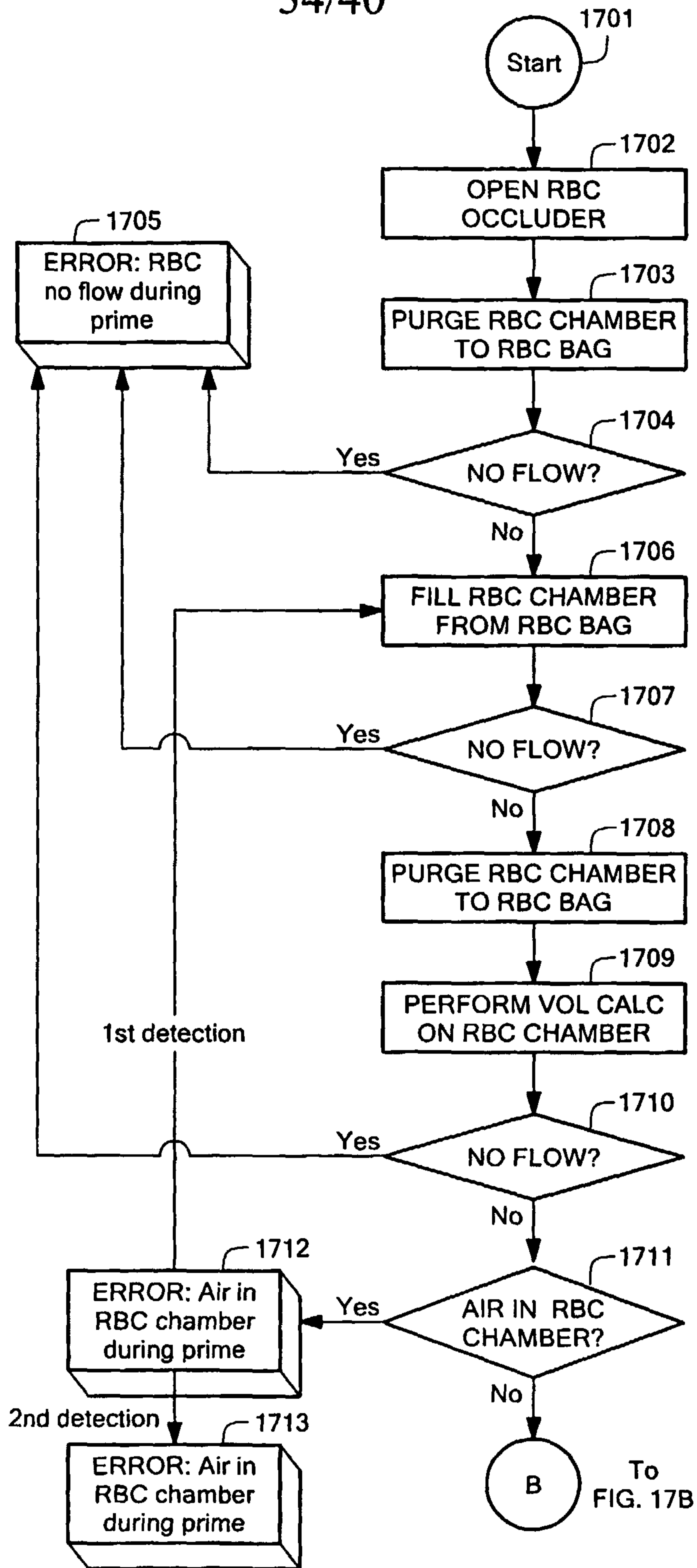


FIG. 17A

35/40

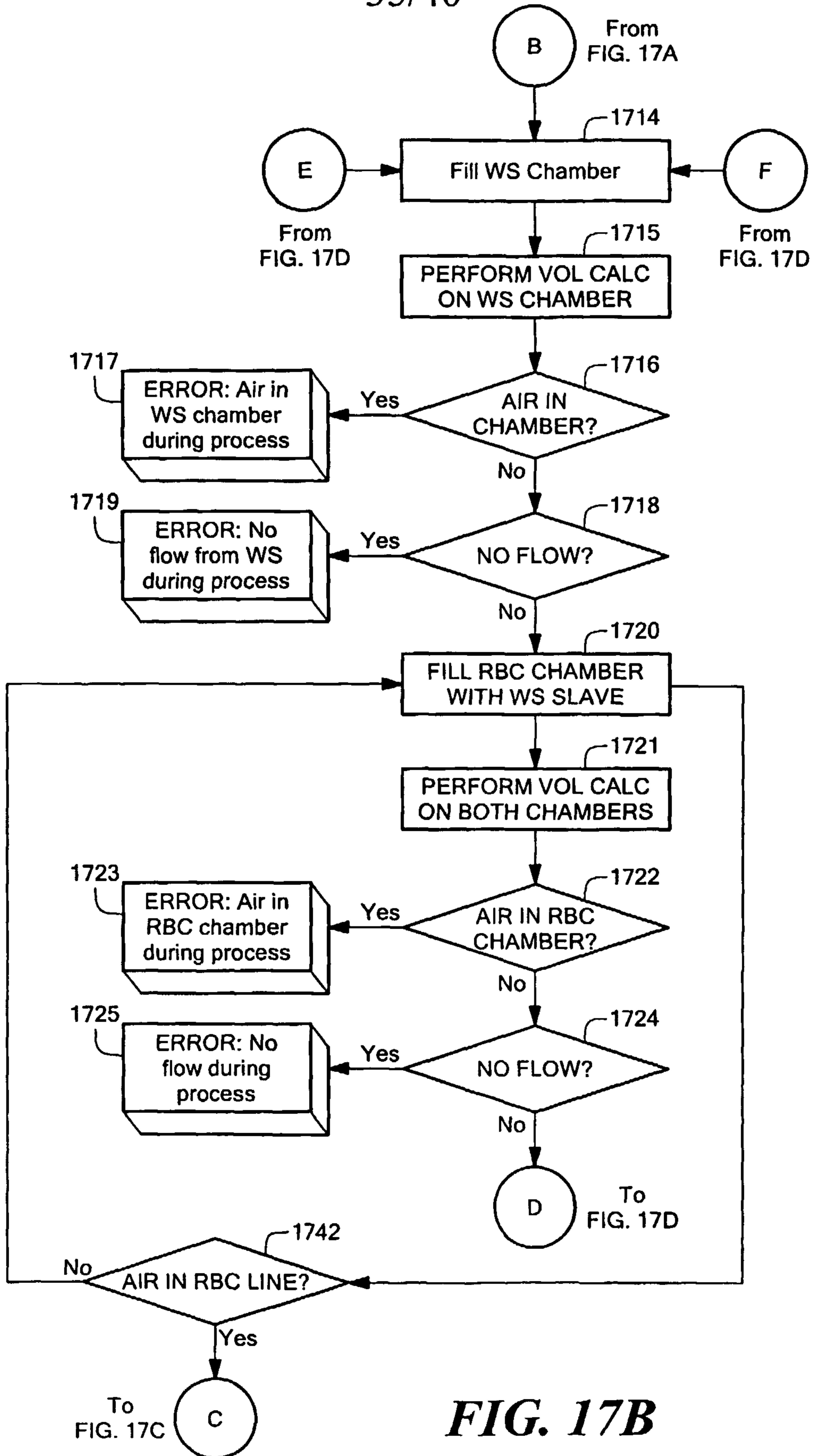
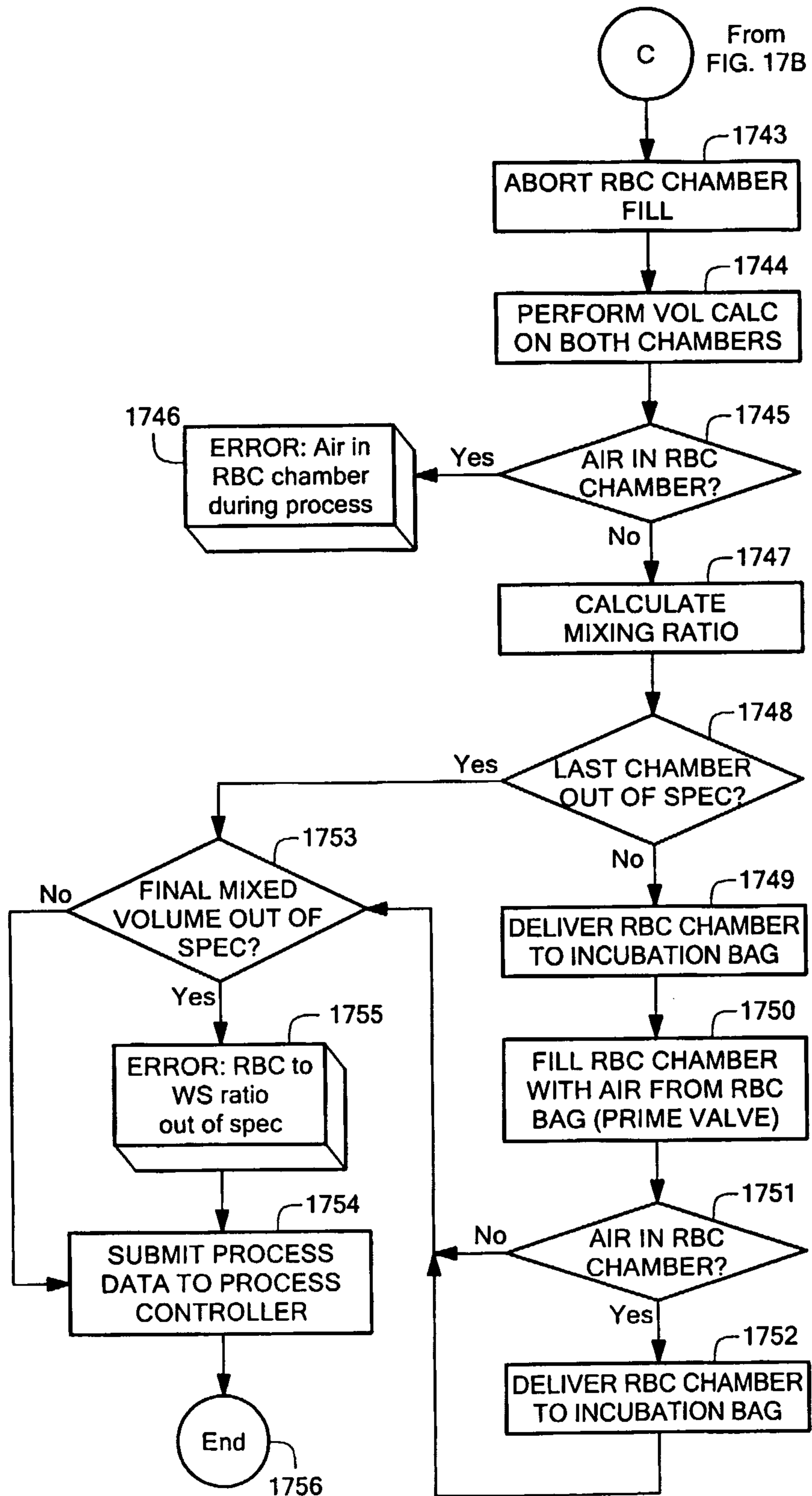


FIG. 17B

36/40

**FIG. 17C**

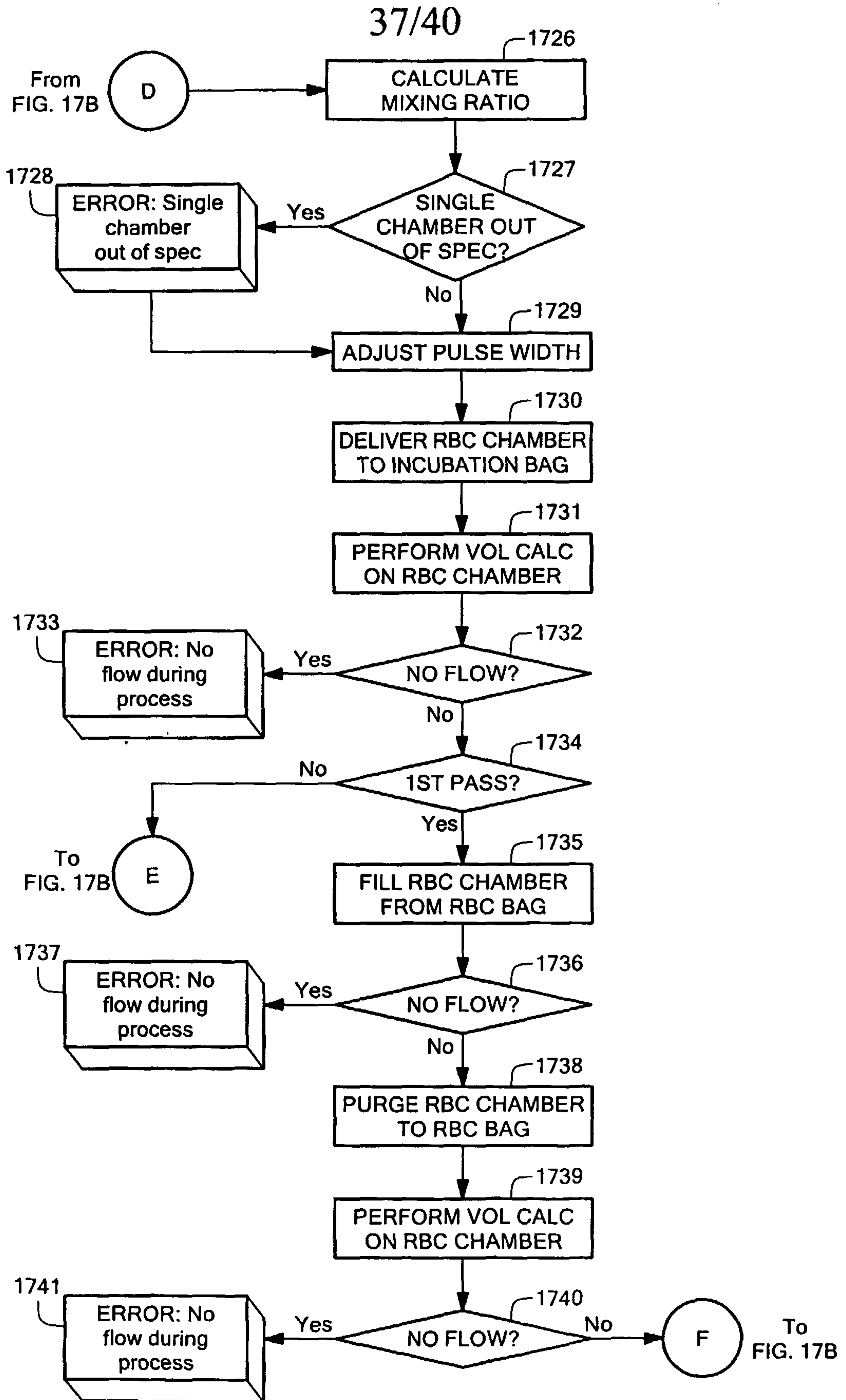


FIG. 17D

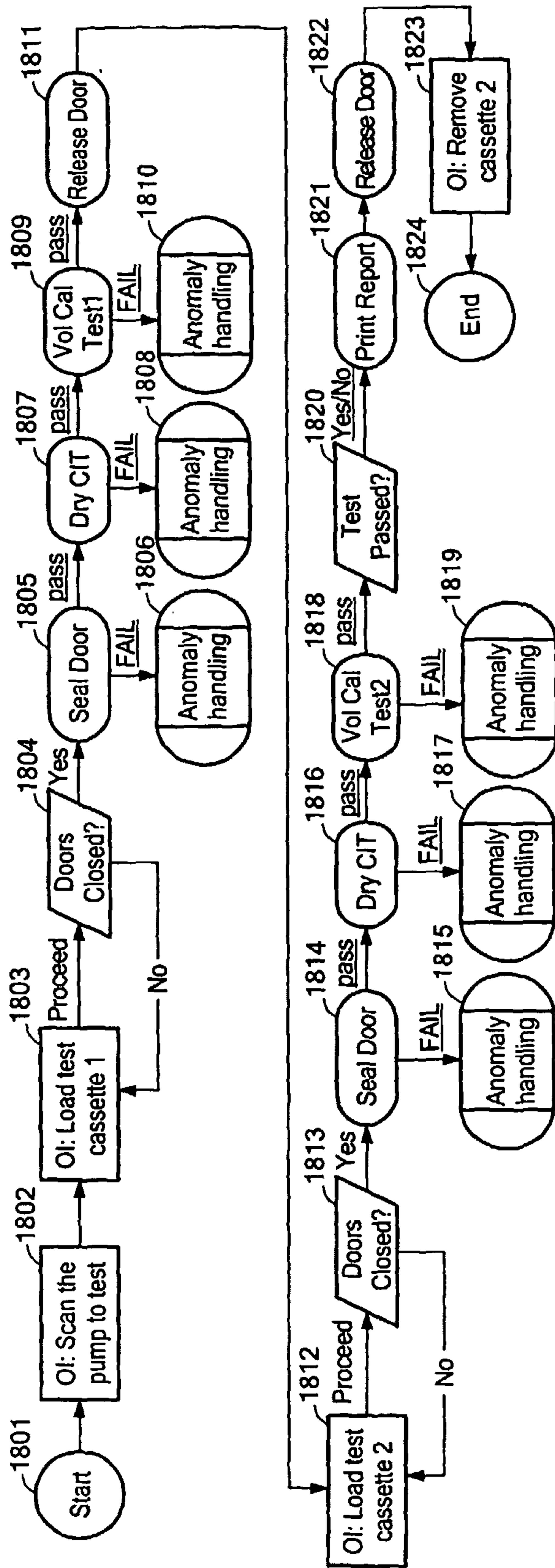


FIG. 18

39/40

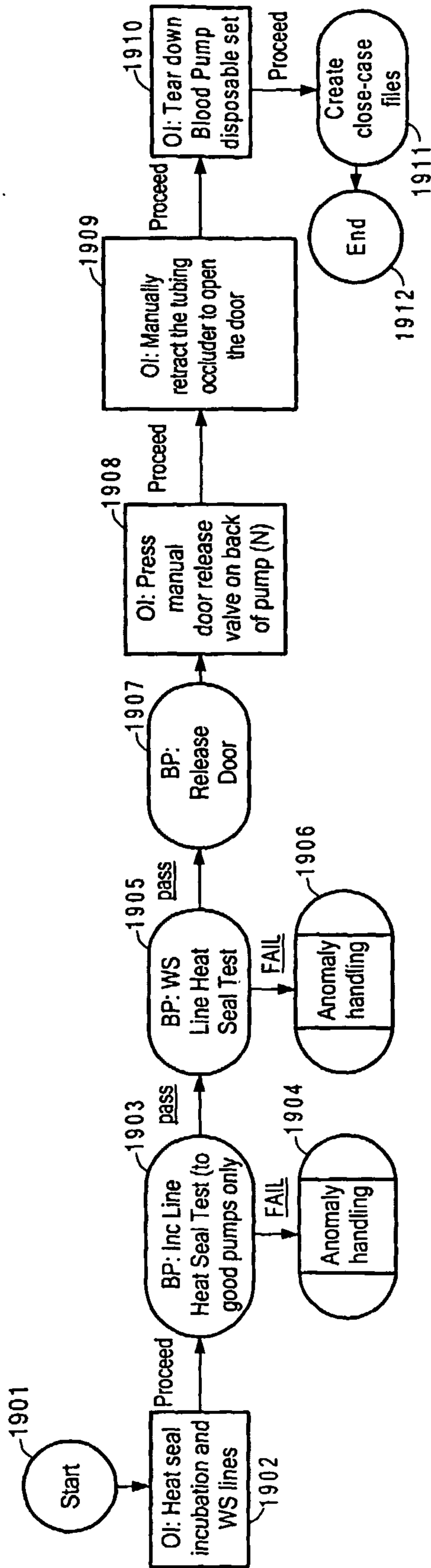
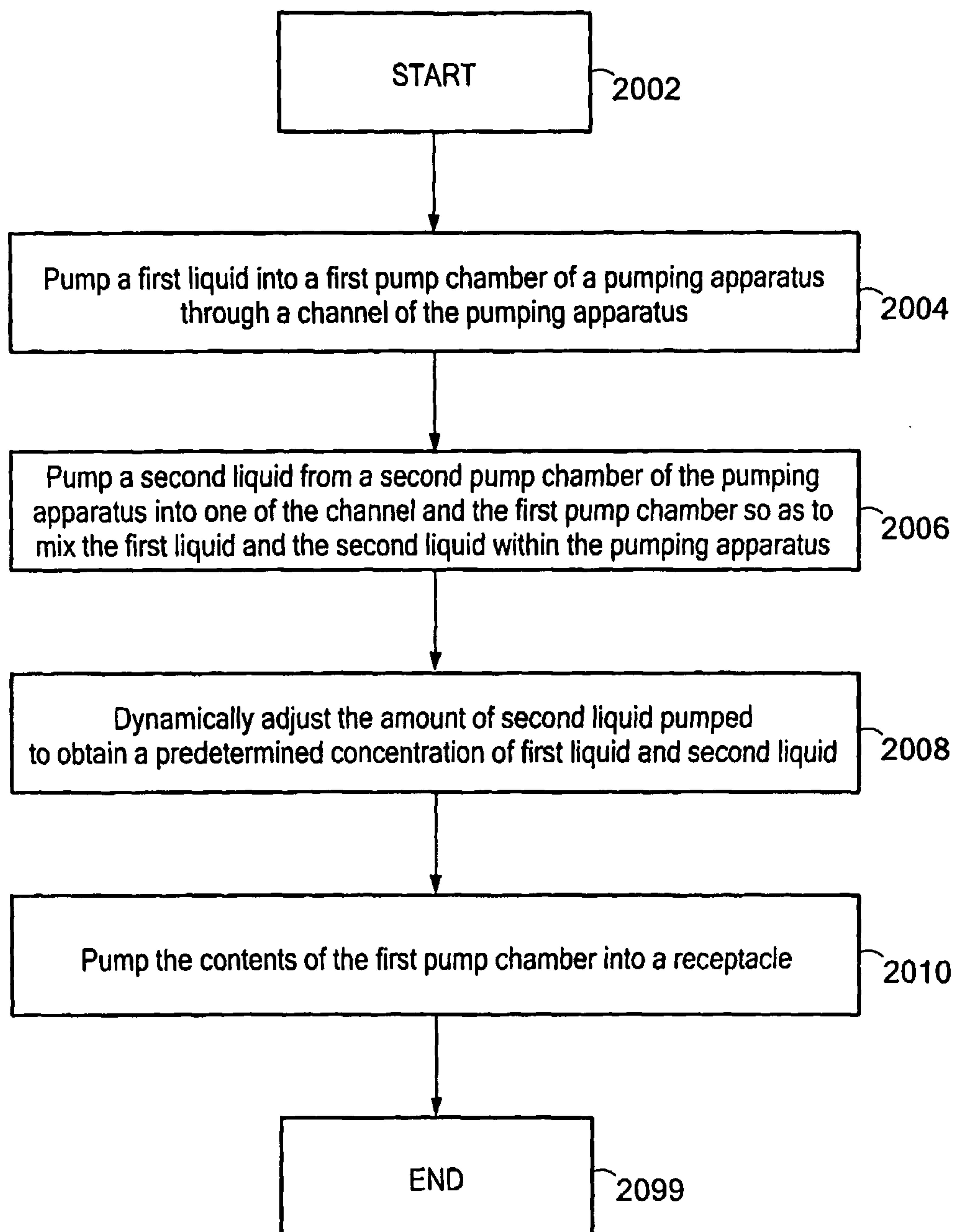
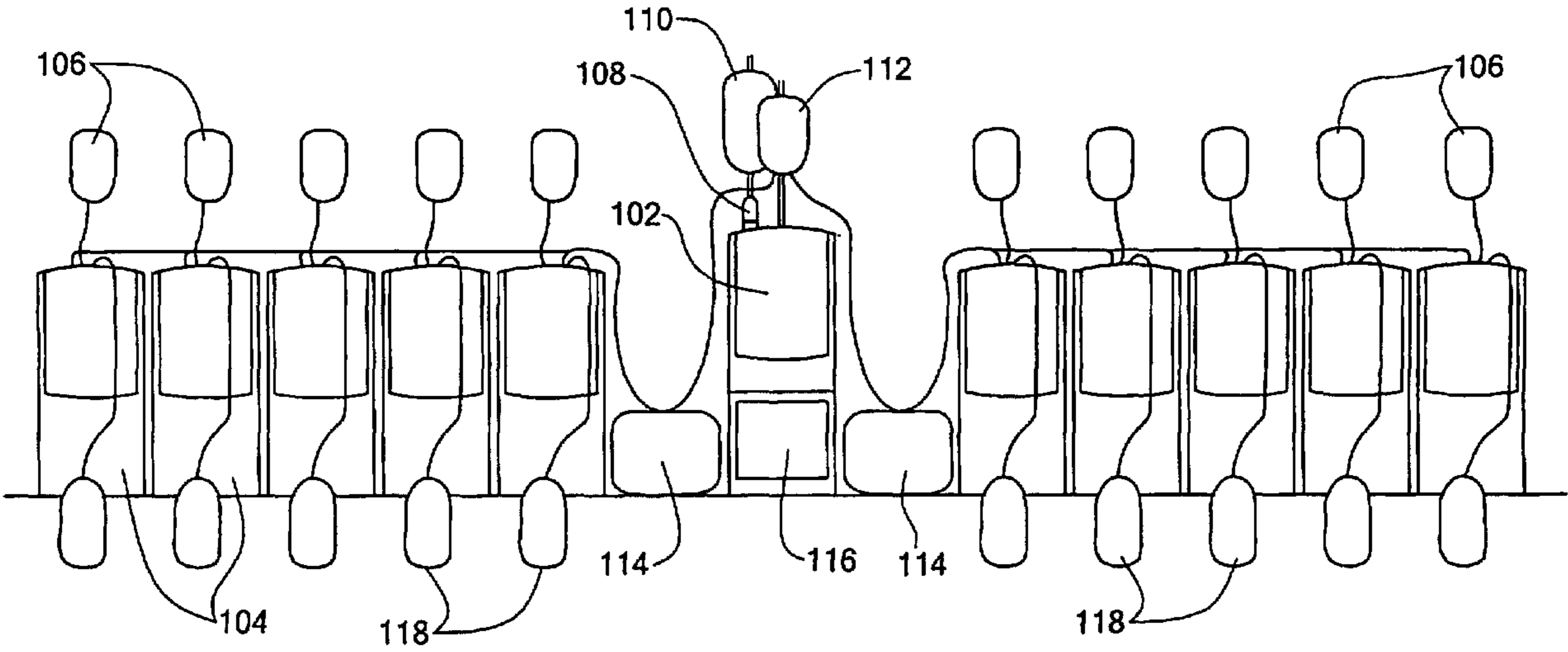


FIG. 19

40/40

**FIG. 20** 2000



100