



- (51) International Patent Classification:  
*G08B 5/36* (2006.01)
- (21) International Application Number:  
PCT/US2018/041265
- (22) International Filing Date:  
09 July 2018 (09.07.2018)
- (25) Filing Language: English
- (26) Publication Language: English
- (30) Priority Data:  
62/530,722 10 July 2017 (10.07.2017) US
- (71) Applicant: **CARRIER CORPORATION** [US/US];  
13995 Pasteur Blvd., Palm Beach Gardens, Florida 33418 (US).
- (72) Inventors: **BUCHHOLZ, Matthew J.**; 4820 Centennial Blvd., Suite 145, Colorado Springs, Colorado 80919 (US).  
**MOTT, Kenneth J.**; 4820 Centennial Blvd., Suite 145, Colorado Springs, Colorado 80919 (US).
- (74) Agent: **HAYTER, Alicia**; CANTOR COLBURN LLP,  
20 Church Street, 22nd Floor, Hartford, Connecticut 06103-3207 (US).
- (81) Designated States (*unless otherwise indicated, for every kind of national protection available*): AE, AG, AL, AM, AO, AT, AU, AZ, BA, BB, BG, BH, BN, BR, BW, BY, BZ, CA, CH, CL, CN, CO, CR, CU, CZ, DE, DJ, DK, DM, DO, DZ, EC, EE, EG, ES, FI, GB, GD, GE, GH, GM, GT, HN, HR, HU, ID, IL, IN, IR, IS, JO, JP, KE, KG, KH, KN, KP, KR, KW, KZ, LA, LC, LK, LR, LS, LU, LY, MA, MD, ME, MG, MK, MN, MW, MX, MY, MZ, NA, NG, NI, NO, NZ, OM, PA, PE, PG, PH, PL, PT, QA, RO, RS, RU, RW, SA, SC, SD, SE, SG, SK, SL, SM, ST, SV, SY, TH, TJ, TM, TN, TR, TT, TZ, UA, UG, US, UZ, VC, VN, ZA, ZM, ZW.
- (84) Designated States (*unless otherwise indicated, for every kind of regional protection available*): ARIPO (BW, GH, GM, KE, LR, LS, MW, MZ, NA, RW, SD, SL, ST, SZ, TZ, UG, ZM, ZW), Eurasian (AM, AZ, BY, KG, KZ, RU, TJ, TM), European (AL, AT, BE, BG, CH, CY, CZ, DE, DK, EE, ES, FI, FR, GB, GR, HR, HU, IE, IS, IT, LT, LU, LV, MC, MK, MT, NL, NO, PL, PT, RO, RS, SE, SI, SK, SM,

(54) Title: HAZARD DETECTOR WITH OPTICAL STATUS INDICATOR

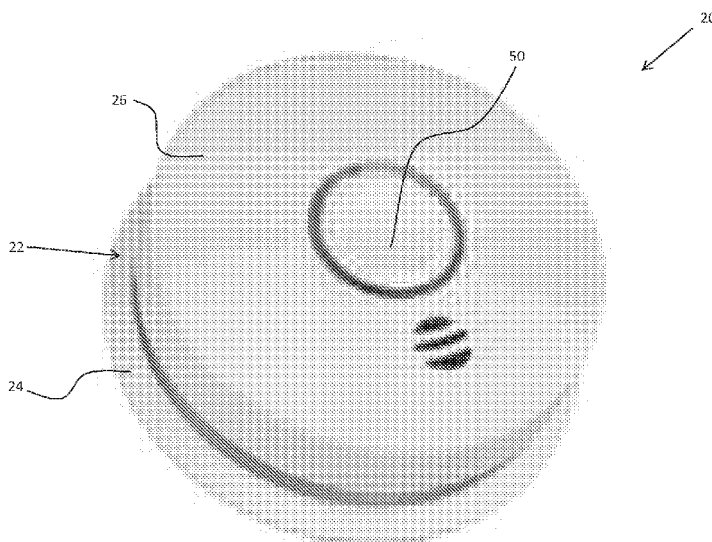


FIG. 1

(57) Abstract: A life safety device includes a housing and a light transmission device disposed within the housing. A first end of the light transmission device is visible at the exterior of the housing. The life safety device additionally includes a transmitter for generating a light. The transmitter is positioned within the housing adjacent the light transmission device. A receiver measures ambient light around the life safety device. The receiver is positioned within the housing adjacent the light transmission device.



TR), OAPI (BF, BJ, CF, CG, CI, CM, GA, GN, GQ, GW, KM, ML, MR, NE, SN, TD, TG).

**Declarations under Rule 4.17:**

- *as to applicant's entitlement to apply for and be granted a patent (Rule 4.17(ii))*
- *as to the applicant's entitlement to claim the priority of the earlier application (Rule 4.17(iii))*
- *of inventorship (Rule 4.17(iv))*

**Published:**

- *with international search report (Art. 21(3))*
- *before the expiration of the time limit for amending the claims and to be republished in the event of receipt of amendments (Rule 48.2(h))*

## HAZARD DETECTOR WITH OPTICAL STATUS INDICATOR

## BACKGROUND

[0001] The disclosure relates to a life safety device for detecting one or more conditions, such as smoke and carbon monoxide for example. More specifically, the disclosure relates to a life safety device including a visual indicator for identifying each of the sensed conditions.

[0002] Regulations require the use of indicators to indicate the current status of a life safety detector. However, the current indicators used are small relative to the housing and are not aesthetically pleasing. Therefore, an objective of the disclosure is to provide an apparatus which visually indicates to a user a status of the device in a more aesthetically pleasing manner.

## BRIEF DESCRIPTION

[0003] According to one aspect of the invention, a life safety device includes a housing and a light transmission device disposed within the housing. A first end of the light transmission device is visible at the exterior of the housing. The life safety device additionally includes a transmitter for generating a light. The transmitter is positioned within the housing adjacent the light transmission device. A receiver measures ambient light around the life safety device. The receiver is positioned within the housing adjacent the light transmission device.

[0004] In addition to one or more of the features described above, or as an alternative, in further embodiments a light source of the life safety device is operable as both the transmitter and the receiver.

[0005] In addition to one or more of the features described above, or as an alternative, in further embodiments the at least one light source is a light emitting diode.

[0006] In addition to one or more of the features described above, or as an alternative, in further embodiments comprising a control system operably coupled to the transmitter and the receiver, wherein the control system determines an operating mode of the life safety device in response to the ambient light measured.

[0007] In addition to one or more of the features described above, or as an alternative, in further embodiments the life safety device is operable in a daytime mode or a night time mode.

**[0008]** In addition to one or more of the features described above, or as an alternative, in further embodiments comprising a plurality of light sources including a first light source, a second light source, wherein the first light source has a first color, and the second light source has a second color, the first color and the second color being distinct.

**[0009]** In addition to one or more of the features described above, or as an alternative, in further embodiments in the daytime mode, the first light source and the second light source are operable as the transmitter.

**[0010]** In addition to one or more of the features described above, or as an alternative, in further embodiments comprising a third light source, wherein in the daytime mode, the third light source is operable as the receiver.

**[0011]** In addition to one or more of the features described above, or as an alternative, in further embodiments the third light source is radially offset from the first light source and the second light source relative to the light transmission device.

**[0012]** In addition to one or more of the features described above, or as an alternative, in further embodiments in the night time mode, the third light source is operable as both the transmitter and the receiver.

**[0013]** According to another embodiment, a method of operating a life safety device includes detecting ambient light adjacent the life safety device, sensing a condition via at least one detector of the life safety device, and illuminating an indicator visible at an exterior of the life safety device in response to the sensed condition. Detecting ambient light and illuminating the indicator are performed by a light source.

**[0014]** In addition to one or more of the features described above, or as an alternative, in further embodiments the light source is a light emitting diode.

**[0015]** According to yet another embodiment, a life safety device includes a housing and a detector coupled to the housing. The detector senses one or more conditions adjacent the life safety device. A visual warning system is disposed within the housing. The visual warning system includes an indicator at least partially visible at the exterior of the housing and at least one light source for illuminating the indicator. A color used to illuminate the indicator is selected in response to the condition sensed by the detector.

**[0016]** In addition to one or more of the features described above, or as an alternative, in further embodiments the at least one light source includes a first light source, a second light source, wherein the first light source has a first color, and the second light source has a second color, the first color and the second color being distinct.

[0017] In addition to one or more of the features described above, or as an alternative, in further embodiments the first light source is used to illuminate the indicator in response to a first condition sensed by the detector and the second light source is used to illuminate the indicator in response to a second condition sensed by the detector.

[0018] In addition to one or more of the features described above, or as an alternative, in further embodiments both the first light source and the second light source are used to illuminate the indicator in response to a third condition sensed by the detector.

[0019] In addition to one or more of the features described above, or as an alternative, in further embodiments the indicator includes a bi-directional, passive light transmission device positioned generally adjacent the at least one light source.

[0020] In addition to one or more of the features described above, or as an alternative, in further embodiments the at least one light source is operable as a receiver for measuring ambient light adjacent the life safety device, the receiver being positioned within the housing adjacent the light transmission device.

[0021] In addition to one or more of the features described above, or as an alternative, in further embodiments the at least one light source is a light emitting diode.

[0022] According to another embodiment, a method of operating a life safety device includes detecting ambient light adjacent the life safety device, sensing a condition via at least one detector of the life safety device, and illuminating an indicator visible at an exterior of the life safety device in response to the sensed condition. The indicator is illuminated with a first color in response to sensing a first condition and the indicator is illuminated with a second color, distinct from the first color in response to sensing a second condition.

[0023] These and other advantages and features will become more apparent from the following description taken in conjunction with the drawings.

## BRIEF DESCRIPTION OF THE DRAWINGS

[0024] The subject matter, which is regarded as the invention, is particularly pointed out and distinctly claimed in the claims at the conclusion of the specification. The foregoing and other features, and advantages of the invention are apparent from the following detailed description taken in conjunction with the accompanying drawings in which:

[0025] FIG. 1 is a perspective view of an example of a life safety device according to an embodiment;

[0026] FIG. 2 is an exploded view of the life safety device of FIG. 1 according to an embodiment;

[0027] FIG. 3 is a schematic diagram of a control system of a life safety device according to an embodiment;

[0028] FIG. 4 is a schematic diagram of a control system of a life safety device according to another embodiment;

[0029] FIG. 5 is a perspective view of a light transmission device of the life safety device according to an embodiment;

[0030] FIG. 6 is another perspective view of a light transmission device of the life safety device according to an embodiment;

[0031] FIG. 7 is a perspective view of a blocking material associated with the light transmission device according to an embodiment; and

[0032] FIG. 8 is a perspective view of a life safety device in various conditions according to an embodiment.

[0033] The detailed description explains embodiments of the invention, together with advantages and features, by way of example with reference to the drawings.

#### DETAILED DESCRIPTION

[0034] Referring now to FIGS. 1 and 2, an example of a life safety device 20 is illustrated. The life safety device 20 includes a housing assembly 22 having a first, upper housing portion 24 and a second, lower housing portion 26 that is removably connected to the first housing portion 24. The life safety device 20 further includes a control system 30 including at least one detection circuit 32 and at least one alarm circuit 34 to be described in more detail below with reference to FIGS. 3 and 4. When the first and second housing portions 24, 26 are connected, the first and second housing portions 24, 26 enclose the control system 30 and other components necessary to operation of the device 20. As used herein, the terms “upper”, “lower”, and the like are in reference to the device 20 in use as it is mounted on a surface, such as a ceiling in a building for example. Therefore, the upper housing portion 24 is typically closer to the ceiling than the lower housing portion 26, and the lower housing portion 26 is typically the portion of the device 20 that will face downward toward the floor of the building. In some embodiments device 20 may be mounted on a wall such that upper housing portion 24 is closer to the wall than the lower housing portion 26, and the lower housing portion 26 is typically the portion of the device 20 that will face outward toward the interior space of the room or space to be monitored.

[0035] In the non-limiting embodiment of FIG. 2, the upper housing portion 24 includes a base plate 36 and a trim plate 38 disposed upwardly adjacent the base plate 36.

The trim plate 38 is typically positioned adjacent to or flush with a mounting surface, such as a ceiling or wall for example. As shown, both the trim plate 38 and the base plate 36 include a centrally located opening 40, 42 respectively, having a similar size and shape. In embodiments where the device 20 is “hardwired”, a power source 44 located within the mounting surface, such as an AC power supply for example, may extend into the aligned openings 40, 42.

**[0036]** A printed circuit board 46 is disposed generally between the base plate 36 and an adjacent surface of the lower housing portion 26. The printed circuit board 46 includes the circuitry and/or components associated with the at least one detection circuit 32 and at least one alarm circuit 34. In embodiments where the life safety device 20 is “hardwired”, the printed circuit board 46 is directly connected to the power source 44. In such embodiments, part of the printed circuit board 46 may extend into the central opening 40, 42 of the upper housing portion 24 to connect to the power source 44. The printed circuit board 46 may be adapted to receive one or more batteries sufficient to provide power thereto to operate the device 20 for an extended period of time. The power provided by the batteries may be the sole source of power used to operate the device 20, or alternatively, may be supplemental to the power source 44, for example in the event of a failure or loss of power at the power source.

**[0037]** A sound generation mechanism 48 may be disposed between the printed circuit board 46 and the lower housing portion 26. The sound generation mechanism 48 receives power from the printed circuit board 46 to generate a noise in response to detection of a condition. Coupled to the lower housing portion 26 is an actuatable mechanism 50, such as a button. The actuatable mechanism 50 may be a button configured to perform one or more functions of the life safety device 20 when actuated. Examples of operations performed via the actuatable mechanism 50 include, but are not limited to, a press to test function, a smoke alarm “hush”, a low battery “hush”, and end of life “hush”, radio frequency enrollment of additional life safety detectors 20 such as in a detection system including a plurality of life safety detectors configured to communicate with one another wirelessly, and to reset the unit once removed from its packaging for example.

**[0038]** In the illustrated, non-limiting embodiment, the actuatable mechanism 50 is received within an opening formed in the lower housing portion 26, and is operably coupled to a control system 30 of the printed circuit board 46. Although the actuatable mechanism 50 is shown positioned at the center of the lower housing portion, embodiments where the actuatable mechanism 50 is located at another position are also within the scope of the

disclosure. Further, it should be understood that in embodiments where the actuatable mechanism 50 performs multiple operations, there may be only a single actuatable mechanism 50 located on the detector 20 and no other mechanism is required. Alternatively, the detector 20 may include a plurality of actuatable mechanisms 50, each being operable to perform a distinct function or the actuatable mechanism 50 may be divided to form a plurality of actuatable mechanisms. In embodiments where the detector 20 includes a plurality of separate actuatable mechanisms 50, the actuatable mechanisms 50 may be located at any location relative to the housing 22.

**[0039]** With reference FIG. 3, a schematic diagram of an example of a control system 30 of the device 20 is shown in more detail. The control system 30 includes a microcontroller 60 operable to receive an input from the at least one detector circuit 32, for example from a conventional ion or photoelectric smoke chamber 62 and a carbon monoxide detector circuit 64. However, it should be understood that the detector 20 may be adapted for detection of a variety of hazardous conditions, including but not limited to smoke, carbon monoxide, explosive gas, and heat for example. It will also be understood from the following that the particular technology of the detector circuits 62, 64 are not a limiting aspect of the invention. Further, while the discussion herein refers to a microcontroller, one skilled in the art will recognize that the functionality and intelligence associated with this element may be alternatively embodied in a microprocessor with associated input/output and buffering circuits, in a programmable logic device (PLD), in an application specific integrated circuit (ASIC), or other intelligent, programmable device. Therefore, the use of the term microcontroller herein shall be construed to cover all of these alternative structures as well.

**[0040]** The microcontroller 60 also receives an input from a user-actuated switch 66 input, for example coupled to the actuatable mechanism 50. The microcontroller 60 utilizes the inputs from these components 62, 64, 66 to generate an output alarm condition when the sensed environmental conditions so dictate. A single alarm circuit 34 is utilized to broadcast via the sound generation mechanism 48 the appropriate audible sound, depending on which condition has been detected. The alarm circuit 34 may include both tone and synthesized voice message generation capabilities, or may be a simple piezo-electric type device. It should be understood that the life safety device 20 illustrated and described herein is intended as an example only and that a life safety device 20 having any configuration and capability is contemplated herein.

**[0041]** With reference now to FIG. 4, in an embodiment, the control system 30 of the device 20 additionally includes a visual warning system 68 including at least one light source



70, such as a light emitting diode (LED) for example, and a circuit 72 for operating the light source 70. The light generated by the at least one LED 70 is visible through the housing 22, such as through the lower housing portion 26 for example. The at least one light source 70 may be controlled to generate distinct outputs in response to a plurality of detected conditions. Although light source 70 is described herein as an LED, in some embodiments other types of illumination sources may be used in alternative or in addition to an LED.

**[0042]** In an embodiment, the device 20 includes a light transmission device 74, such as a light pipe for example, positioned within the housing 22 generally between the printed circuit board 46 and the lower housing portion 26 (see FIG. 2). Inclusion of the light transmission device 74 enhances the visibility of the light output by the LED 70 at the exterior of the device 20. The light transmission device 74 is a passive device formed from a clear or generally transparent plastic material and is configured to diffuse and evenly distribute the light generated by the at least one LED 70.

**[0043]** An example of the light transmission device 74 is illustrated in more detail in FIGS. 5 and 6. In the illustrated non-limiting embodiment, the light transmission device 74 is hollow and generally conical or frustoconical in shape. However, other shapes are also within the scope of the disclosure. A first end 76 of the light transmission device 74 may extend through an opening formed in the lower housing portion 26 adjacent the actuatable mechanism 50. In an embodiment, the first end 76 of the light transmission device 74 is concentric and therefore coaxial with the actuatable mechanism 50 relative to the lower housing portion 26. As a result, an inner diameter of the light transmission device 74 adjacent the first end 76 is generally equal to or complementary to an outer diameter of the actuatable mechanism 50. However, embodiments where the light transmission device 74 is spaced away from or apart from the actuatable mechanism 52 are also within the scope of the disclosure.

**[0044]** The light transmission device 74 additionally includes at least one port 78 located adjacent the at least one LED 70 for communicating light to the first end 76. In embodiments where the visual warning system 68 includes a plurality of LEDs 70, the light transmission device 74 may include a plurality of ports 78, each of which is associated with a distinct LED 70 of the plurality of LEDs. However, in other embodiments, a port 78 may be associated with more than one of the plurality of LEDs 70. In the illustrated, non-limiting embodiment, the visual warning system 68 includes at least two LEDs. A first LED 70a has a first color, such as green for example, and the second LED 70b has a second distinct color, such as red for example. The LEDs 70 may be operated independently to generate either the

first color or the second color, and may be operated in unison to create a third color, distinct from the first and second colors.

**[0045]** As an example, a green LED 70a may be operated in unison with a red LED 70b to create a yellow color. However, embodiments where the system 68 includes another LED having a third color associated therewith are also contemplated herein. As another example, if a blue LED is included, a red LED 70a and a blue LED 70b may be operated in unison to create magenta; in yet another example, a green LED 70a and a blue LED 70b may be operated in unison to create cyan. In addition, it should be understood that the system 68 may include one or more LEDs associated with each color, such as two green LEDs and two red LEDs for example. This may allow different levels of brightness. Additional colors may be operated independently. Further, it should be understood that a system 68 having any number of LEDs 70, including one LED or more than two LEDs, as well as any number of colors associated therewith is contemplated herein.

**[0046]** In addition, the light transmission device 74 has a bi-directional configuration. Accordingly, light is not only transmitted from the at least one LED 70 through the device 74 to the exterior of the housing 22, but also ambient light may be transmitted through the light transmission device 74 to a sensor capable of measuring the ambient light to determine a time of day and select a corresponding mode of operation. The at least one LED 70 may be operable as the sensor for measuring ambient light. In such embodiments, the at least one LED 70 converts ambient light transmitted thereto into a voltage that can be used to identify a corresponding time of day. The at least one LED 70 is therefore operable as both a transmitter for generating light, and a receiver for receiving and measuring ambient light. In the illustrated, non-limiting embodiment, a distinct LED, 70c, is configured as the sensor for measuring ambient light.

**[0047]** In the illustrated, non-limiting embodiment, the light transmission device 74 additionally includes a post 80, separate from the ports 78, for communicating ambient light to the sensor, LED 70c. The post 80 may be encased within a light blocking material 82, illustrated in FIG. 7, to prevent light transmitted by any of the plurality of LEDs 70 from interfering with the ambient light. Light blocking material 82 may be disposed between light transmission device 74 and lower housing portion 26. As shown, the post 80 is radially offset from the center of the light transmission device 74, but other configurations of post 80 and light blocking material 82 are within the scope of the disclosure.

**[0048]** During operation of the device 20, ambient light is communicated through the light transmission device 74, specifically through the post 80, to the adjacent LED 70c. The

microcontroller 60 processes the voltage information provided by LED 70c to determine a time of day and control operation of the device 20 in either a daytime mode or night time mode.

**[0049]** In the daytime mode, the visual warning system 68 continuously indicates a status of the detected conditions and/or of the device 20. With reference to FIG. 8, in the illustrated, non-limiting embodiment, if no condition has been detected by the device 20, a first LED, such as the green LED 70a for example, is illuminated. The light generated by the first LED 70a, is transmitted through an adjacent port 78 in the light transmission device 74 to illuminate the first end 76 of the device 74. If a dangerous condition has been detected, such as an unacceptable level of either carbon monoxide or smoke for example, a second LED, such as the red LED 70b, will be operated. The light from the LED 70b will transmit through an adjacent port 78 in the light transmission device 74 to illuminate the first end 76 of the device 74, visible at the exterior of the housing 22.

**[0050]** In an embodiment, if an error within the device 20 is detected, both the first LED 70a and the second LED 70b are operated. The red and green light are transmitted into the light transmission device 74 where they mix to create a yellow light visible at the first end 76 thereof. Accordingly, a first color is visible at the exterior of the housing 22 during a first condition, a second color visible at the exterior of the housing 22 during a second condition, and in some embodiments, a third color is visible at the exterior of the housing 22 during a third condition. The colors and functions illustrated and described herein are intended as an example only. Other exemplary conditions such as a pending or unconfirmed alarms may be demonstrated with additional colors or light patterns.

**[0051]** In some embodiments, when operating in the daytime mode, the LED 70c operating as the ambient light sensor may be configured to continuously measure the ambient light and/or provide an indication of the ambient light to the microcontroller 60. Alternatively, the LED 70c may be configured to measure the ambient light and/or provide an input of the ambient light to the microcontroller 60 at intervals. In an embodiment, upon detection of a reduced amount of ambient light indicating a time of day after sunset or that the lights within an area adjacent the device 20 are not on, operation of the first and second LEDs 70a, 70b is generally discontinued and the device 20 is transitioned to operation in a night time mode. However, it should be understood that upon detection of a corresponding condition, these LEDs 70a, 70b may be activated regardless of whether the device 20 is in a daytime mode or a night time mode. Furthermore, the operation of the LEDs 70a-70n may

differ depending on the current state of the device 20, e.g. if the device is in test or setup mode.

**[0052]** In the night time mode, the LED 70c is selectively operated as both a receiver and transceiver. Power is supplied to the LED 70c in a manner causing the LED 70c to pulse or flash to reduce the level or nuisance to a person nearby. In an embodiment, the brightness of the LED 70c is less than the brightness of the LEDs 70a, 70b. When the LED 70c is illuminated, light transmits through the post 80 to the end 76 of the light transmission device 74. During the periods between the flashes, a measurement of the ambient light communicated to the LED 70c via the post 80 is taken. Upon determining that the lights within the area adjacent the devices 20 are on or that the sun has risen, the device 20 will transform to the daytime mode.

**[0053]** Although the LED 70c for measuring the ambient light is illustrated and described herein as being distinct from the LEDs 70a, 70b operable during the daytime mode, it should be understood that the same LED may be used in both modes of operation. For example, the LED 70c may be a green LED, operable in place of LED 70a during the daytime mode. Further, the intensity level of the color output by such an LED may vary based on the mode of operation of the device 20. In an embodiment, the intensity of the color output by the LED may be controlled via the current supplied thereto or via pulse width modulation. In some embodiments, LED 70c may be a separate color LED 70c as described above, or in some embodiments may be the same LED as LED 70a or 70b. In embodiments where an alternate light source incapable of communicating voltage based on ambient light, or in other embodiments where a separate LED is desirable, LED 70c may function to provide voltage information from received ambient light rather than to transmit light.

**[0054]** While the invention has been described in detail in connection with only a limited number of embodiments, it should be readily understood that the invention is not limited to such disclosed embodiments. Rather, the invention can be modified to incorporate any number of variations, alterations, substitutions or equivalent arrangements not heretofore described, but which are commensurate with the spirit and scope of the invention. Additionally, while various embodiments of the invention have been described, it is to be understood that aspects of the invention may include only some of the described embodiments. Accordingly, the invention is not to be seen as limited by the foregoing description, but is only limited by the scope of the appended claims.

## CLAIMS

What is claimed is:

1. A life safety device comprising:  
a housing;  
a light transmission device disposed within the housing, a first end of the light transmission device being visible at the exterior of the housing; and  
a transmitter for generating a light, the transmitter being positioned within the housing adjacent the light transmission device; and  
a receiver for measuring ambient light around the life safety device, the receiver being positioned within the housing adjacent the light transmission device.
2. The life safety device of claim 1, wherein a light source of the life safety device is operable as both the transmitter and the receiver.
3. The life safety device of claim 1, wherein the at least one light source is a light emitting diode.
4. The life safety device of claim 1, further comprising a control system operably coupled to the transmitter and the receiver, wherein the control system determines an operating mode of the life safety device in response to the ambient light measured.
5. The life safety device of claim 4, wherein the life safety device is operable in a daytime mode or a night time mode.
6. The life safety device of claim 5, further comprising a plurality of light sources including a first light source, a second light source, wherein the first light source has a first color, and the second light source has a second color, the first color and the second color being distinct.
7. The life safety device of claim 6, wherein in the daytime mode, the first light source and the second light source are operable as the transmitter.
8. The life safety device of claim 6, further comprising a third light source, wherein in the daytime mode, the third light source is operable as the receiver.
9. The life safety device of claim 8, wherein the third light source is radially offset from the first light source and the second light source relative to the light transmission device.
10. The life safety device of claim 8, wherein in the night time mode, the third light source is operable as both the transmitter and the receiver.
11. A method of operating a life safety device comprising:  
detecting ambient light adjacent the life safety device; and

sensing a condition via at least one detector of the life safety device; and  
illuminating an indicator visible at an exterior of the life safety device in response to the sensed condition, wherein detecting ambient light and illuminating the indicator are performed by a light source.

12. The method of claim 11, wherein the light source is a light emitting diode.

13. A life safety device comprising:

a housing;

a detector coupled to the housing, wherein the detector senses one or more conditions adjacent the life safety device;

a visual warning system disposed within the housing, the visual warning system including:

an indicator at least partially visible at the exterior of the housing; and

at least one light source for illuminating the indicator, wherein a color used to illuminate the indicator is selected in response to the condition sensed by the detector.

14. The life safety device of claim 11, wherein the at least one light source includes a first light source, a second light source, wherein the first light source has a first color, and the second light source has a second color, the first color and the second color being distinct.

15. The life safety device of claim 14, wherein the first light source is used to illuminate the indicator in response to a first condition sensed by the detector and the second light source is used to illuminate the indicator in response to a second condition sensed by the detector.

16. The life safety device of claim 15, wherein both the first light source and the second light source are used to illuminate the indicator in response to a third condition sensed by the detector.

17. The life safety device of claim 11, wherein the indicator includes a bi-directional, passive light transmission device positioned generally adjacent the at least one light source.

18. The life safety device of claim 11, wherein the at least one light source is operable as a receiver for measuring ambient light adjacent the life safety device, the receiver being positioned within the housing adjacent the light transmission device.

19. The life safety device of claim 11, wherein the at least one light source is a light emitting diode.

20. A method of operating a life safety device comprising:

detecting ambient light adjacent the life safety device; and  
sensing a condition via at least one detector of the life safety device; and  
illuminating an indicator visible at an exterior of the life safety device in response to the sensed condition, wherein the indicator is illuminated with a first color in response to sensing a first condition and the indicator is illuminated with a second color, distinct from the first color in response to sensing a second condition.

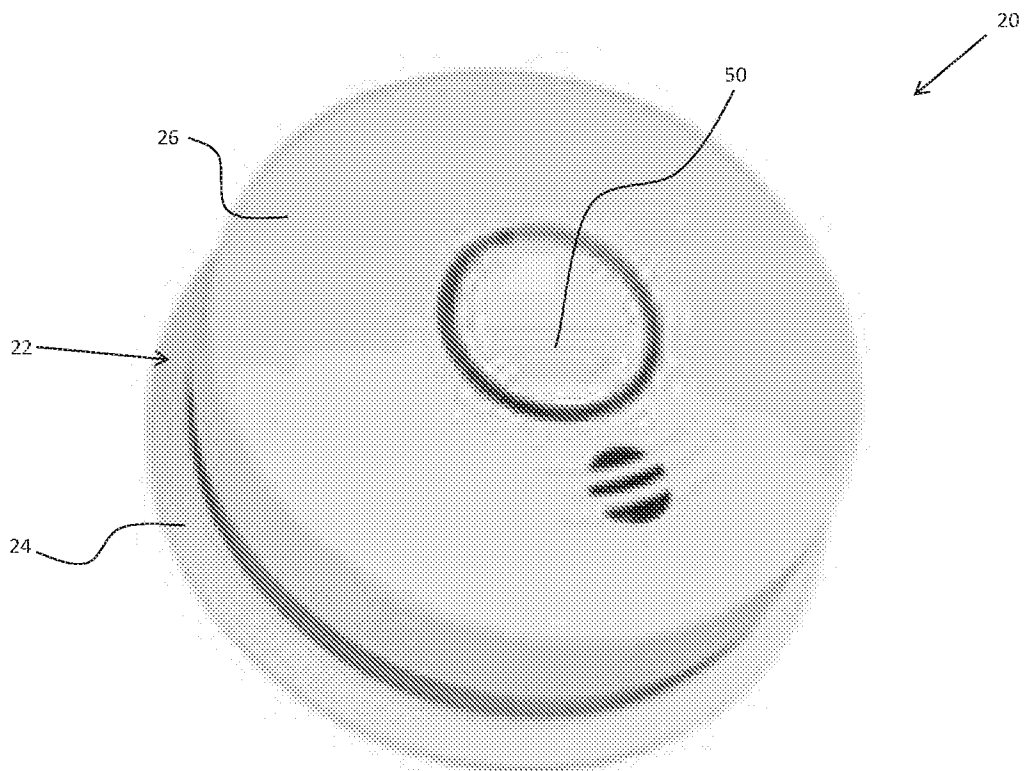


FIG. 1



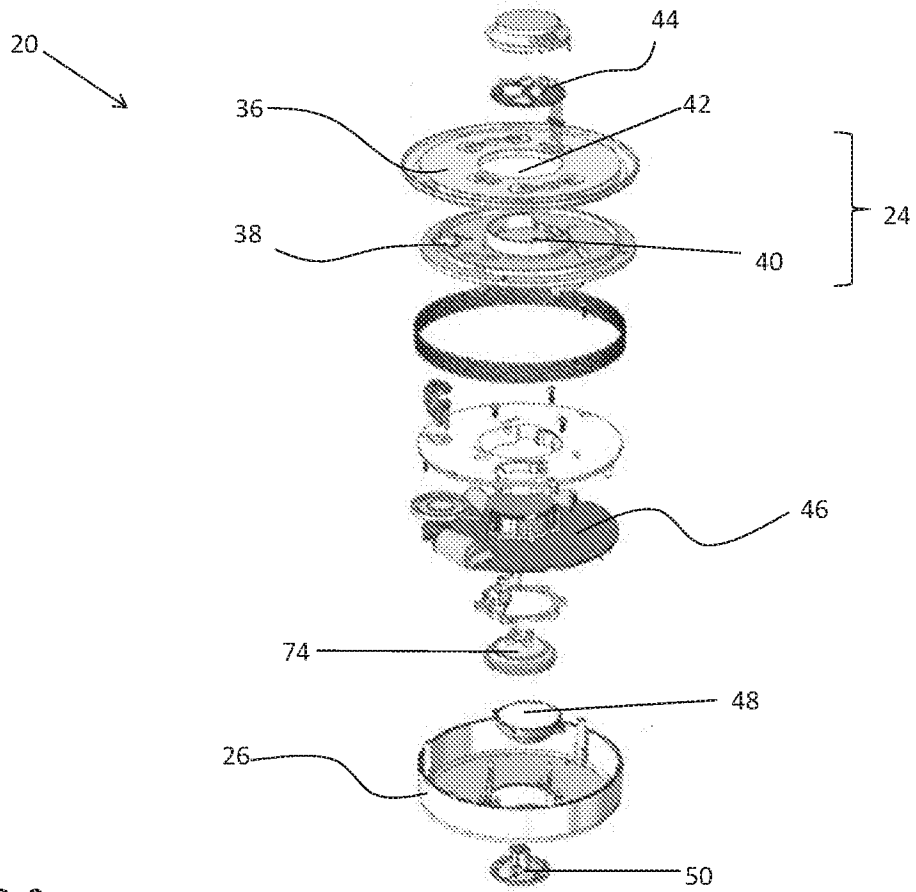


FIG. 2

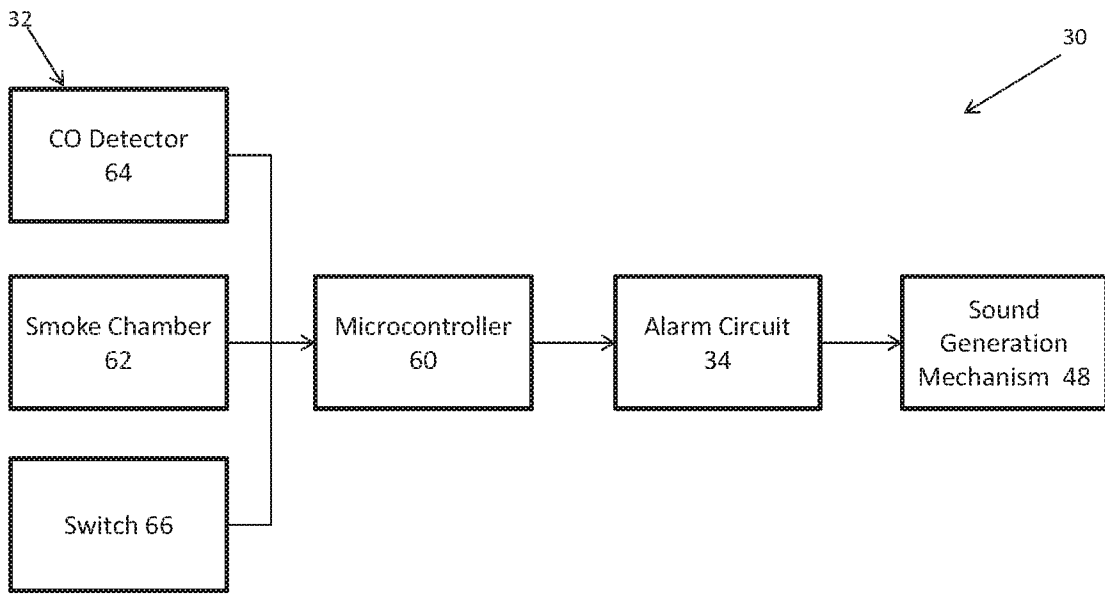


FIG. 3

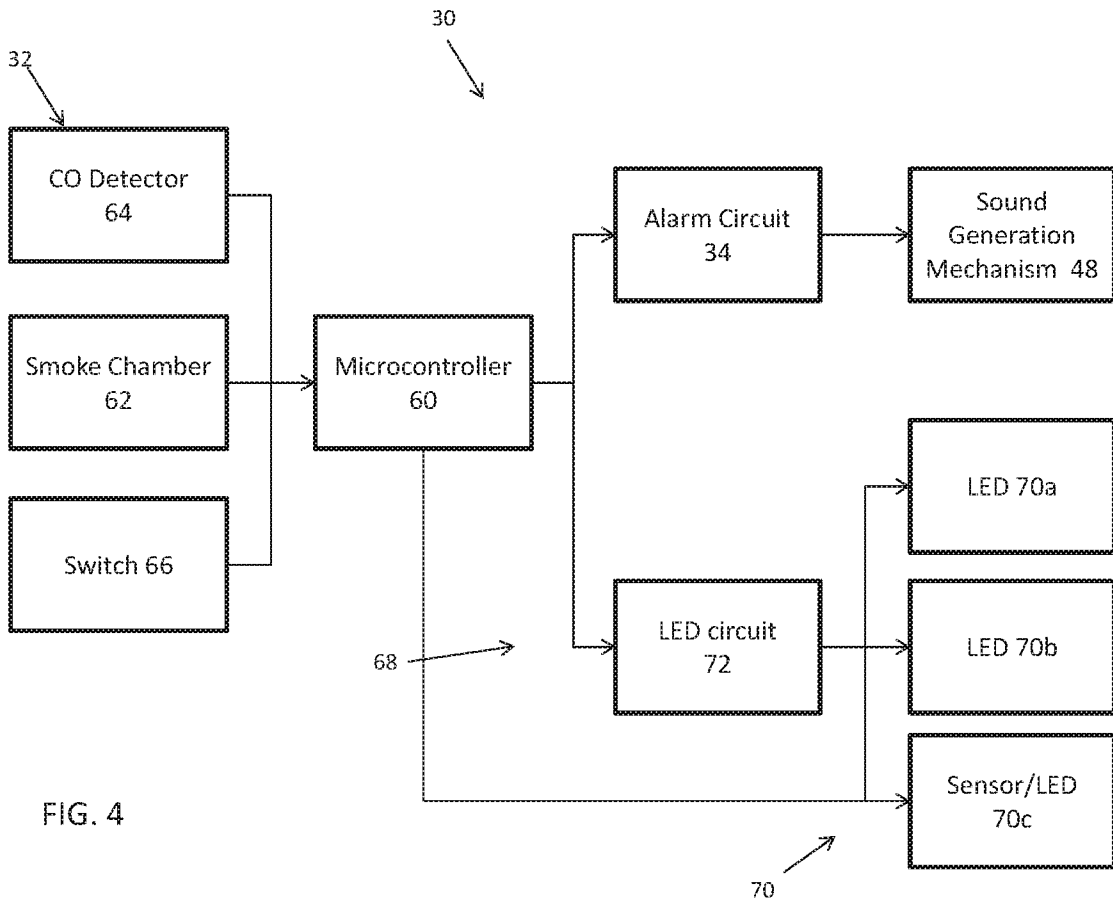


FIG. 4

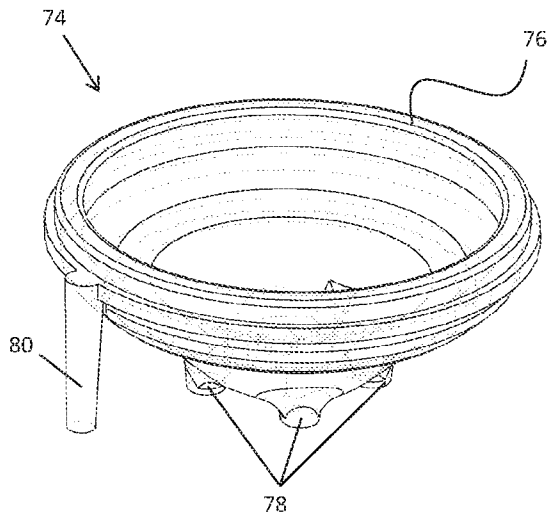


FIG. 5

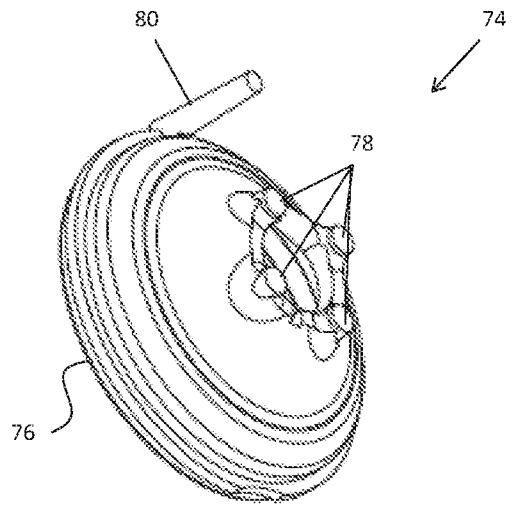


FIG. 6

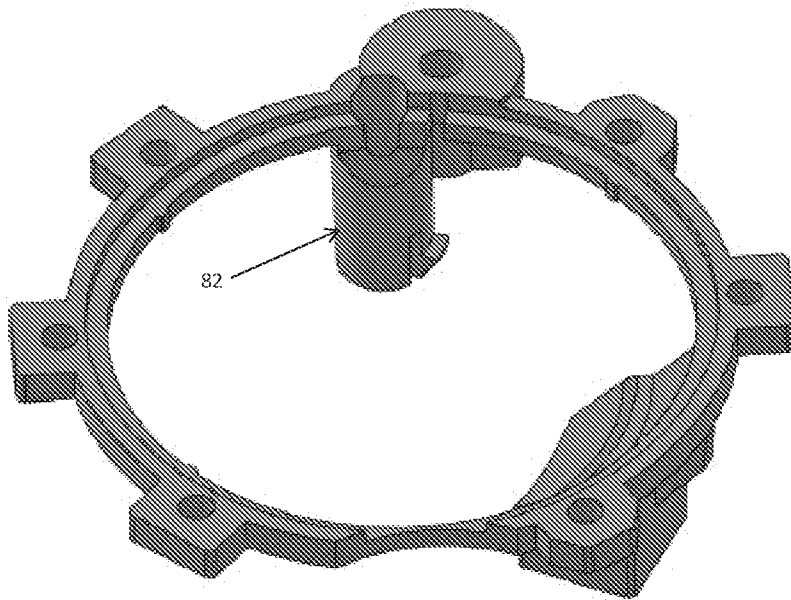
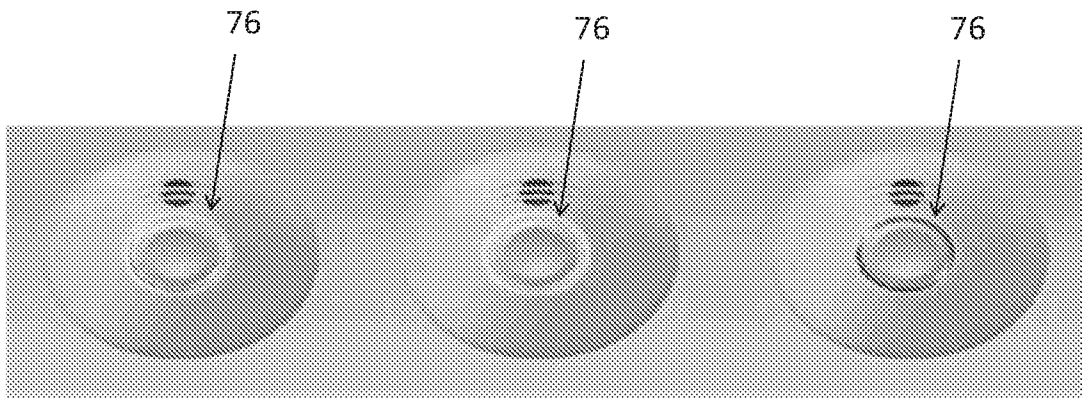


FIG. 7



First Condition  
i.e. Green Light

Third Condition  
i.e. Yellow Light

Second Condition  
i.e. Red Light

FIG. 8

INTERNATIONAL SEARCH REPORT

International application No  
PCT/US2018/041265

A. CLASSIFICATION OF SUBJECT MATTER  
INV. G08B5/36  
ADD.  
According to International Patent Classification (IPC) or to both national classification and IPC

B. FIELDS SEARCHED  
Minimum documentation searched (classification system followed by classification symbols)  
G08B

Documentation searched other than minimum documentation to the extent that such documents are included in the fields searched

Electronic data base consulted during the international search (name of data base and, where practicable, search terms used)  
EPO-Internal, WPI Data

C. DOCUMENTS CONSIDERED TO BE RELEVANT

Category*	Citation of document, with indication, where appropriate, of the relevant passages	Relevant to claim No.
X	US 2016/033115 A1 (SAVAGE JR KENNETH [US] ET AL) 4 February 2016 (2016-02-04)	1,3
Y	paragraph [0002] paragraph [0026] paragraph [0104] paragraph [0122] paragraph [0124] paragraph [0139] figures 8c, 11a, 11b	2
X	US 2014/333928 A1 (ERDTMANN MATTHEW [US]) 13 November 2014 (2014-11-13)	12-17, 19,20
Y	paragraph [0046] paragraph [0054] paragraph [0061] paragraph [0071] figure 1a	11,18
	----- -/--	

Further documents are listed in the continuation of Box C.

See patent family annex.

\* Special categories of cited documents :

- "A" document defining the general state of the art which is not considered to be of particular relevance
- "E" earlier application or patent but published on or after the international filing date
- "L" document which may throw doubts on priority claim(s) or which is cited to establish the publication date of another citation or other special reason (as specified)
- "O" document referring to an oral disclosure, use, exhibition or other means
- "P" document published prior to the international filing date but later than the priority date claimed

- "T" later document published after the international filing date or priority date and not in conflict with the application but cited to understand the principle or theory underlying the invention
- "X" document of particular relevance; the claimed invention cannot be considered novel or cannot be considered to involve an inventive step when the document is taken alone
- "Y" document of particular relevance; the claimed invention cannot be considered to involve an inventive step when the document is combined with one or more other such documents, such combination being obvious to a person skilled in the art
- "&" document member of the same patent family

Date of the actual completion of the international search  10 October 2018	Date of mailing of the international search report  02/01/2019
Name and mailing address of the ISA/ European Patent Office, P.B. 5818 Patentlaan 2 NL - 2280 HV Rijswijk Tel. (+31-70) 340-2040, Fax: (+31-70) 340-3016	Authorized officer  Meister, Mark

## INTERNATIONAL SEARCH REPORT

International application No  
PCT/US2018/041265

C(Continuation). DOCUMENTS CONSIDERED TO BE RELEVANT		
Category*	Citation of document, with indication, where appropriate, of the relevant passages	Relevant to claim No.
Y	amiclaus: "Activity: LED as light sensor",  1 May 2017 (2017-05-01), XP002785512, Retrieved from the Internet: URL:https://wiki.analog.com/university/courses/electronics/electronics-lab-led-sensor?rev=1493016886 [retrieved on 2018-10-09] the whole document	2,11,18
A	----- US 2015/339896 A1 (STAGG BRADLEY BENJAMIN [US]) 26 November 2015 (2015-11-26) paragraph [0052]	14-17
A	----- US 2004/095253 A1 (TANGUAY WILLIAM P [US]) 20 May 2004 (2004-05-20) paragraphs [0066] - [0068] figure 7 -----	14-17



# INTERNATIONAL SEARCH REPORT

International application No.  
PCT/US2018/041265

## Box No. II Observations where certain claims were found unsearchable (Continuation of item 2 of first sheet)

This international search report has not been established in respect of certain claims under Article 17(2)(a) for the following reasons:

1.  Claims Nos.:  
because they relate to subject matter not required to be searched by this Authority, namely:
  
2.  Claims Nos.:  
because they relate to parts of the international application that do not comply with the prescribed requirements to such an extent that no meaningful international search can be carried out, specifically:
  
3.  Claims Nos.:  
because they are dependent claims and are not drafted in accordance with the second and third sentences of Rule 6.4(a).

## Box No. III Observations where unity of invention is lacking (Continuation of item 3 of first sheet)

This International Searching Authority found multiple inventions in this international application, as follows:

see additional sheet

1.  As all required additional search fees were timely paid by the applicant, this international search report covers all searchable claims.
  
2.  As all searchable claims could be searched without effort justifying an additional fees, this Authority did not invite payment of additional fees.
  
3.  As only some of the required additional search fees were timely paid by the applicant, this international search report covers only those claims for which fees were paid, specifically claims Nos.:
  
4.  No required additional search fees were timely paid by the applicant. Consequently, this international search report is restricted to the invention first mentioned in the claims; it is covered by claims Nos.:

1-3, 11-20

### Remark on Protest

- The additional search fees were accompanied by the applicant's protest and, where applicable, the payment of a protest fee.
- The additional search fees were accompanied by the applicant's protest but the applicable protest fee was not paid within the time limit specified in the invitation.
- No protest accompanied the payment of additional search fees.

**FURTHER INFORMATION CONTINUED FROM PCT/ISA/ 210**

This International Searching Authority found multiple (groups of) inventions in this international application, as follows:

1. claims: 1-3, 11-20

A life safety device comprising: a housing; a light transmission device disposed within the housing, a first end of the light transmission device being visible at the exterior of the housing; and a transmitter for generating a light, the transmitter being positioned within the housing adjacent the light transmission device; and a receiver for measuring ambient light around the life safety device, the receiver being positioned within the housing adjacent the light transmission device, wherein a light source of the life safety device is operable as both the transmitter and the receiver.

---

2. claims: 4-10

A life safety device comprising: a housing; a light transmission device disposed within the housing, a first end of the light transmission device being visible at the exterior of the housing; and a transmitter for generating a light, the transmitter being positioned within the housing adjacent the light transmission device; and a receiver for measuring ambient light around the life safety device, the receiver being positioned within the housing adjacent the light transmission device, wherein the control system determines an operating mode of the life safety device in response to the ambient light measured.

---

# INTERNATIONAL SEARCH REPORT

Information on patent family members

International application No PCT/US2018/041265
---

Patent document cited in search report	Publication date	Patent family member(s)	Publication date
US 2016033115	A1	04-02-2016	
		AU 2015298173	A1 09-03-2017
		EP 3175171	A2 07-06-2017
		US D769757	S 25-10-2016
		US 2016033115	A1 04-02-2016
		US 2016035193	A1 04-02-2016
		US 2016035199	A1 04-02-2016
		US 2016035200	A1 04-02-2016
		US 2016035201	A1 04-02-2016
		WO 2016018757	A2 04-02-2016
US 2014333928	A1	13-11-2014	
		US 2014333928	A1 13-11-2014
		US 2015102934	A1 16-04-2015
		US 2015102935	A1 16-04-2015
US 2015339896	A1	26-11-2015	NONE
US 2004095253	A1	20-05-2004	
		US 2004095253	A1 20-05-2004
		US 2005151663	A1 14-07-2005