



US00D358917S

# United States Patent [19]

[11] Patent Number: **Des. 358,917**

## Keys

[45] Date of Patent: **\*\* May 30, 1995**

[54] **FUNNEL FOR ADAPTING A CONTAINER AS A SPITTOON**

[76] Inventor: **Leonard A. Keys**, Rte. 5 Box 1292, Forest, Va. 24551

[\*\*] Term: **14 Years**

[21] Appl. No.: **20,826**

[22] Filed: **Apr. 4, 1994**

[52] U.S. Cl. .... **D34/2**

[58] Field of Search ..... D34/2; D7/700; 4/258, 4/260, 283, 284; D15/150

### [56] References Cited

#### U.S. PATENT DOCUMENTS

D. 30,744	5/1899	Browne	.....	D34/2
D. 32,005	12/1899	Weber	.....	D34/2
128,544	7/1872	Hillin	.....	4/283
D. 227,413	6/1973	Sherin	.....	D7/700
D. 249,997	10/1978	Lindquist	.....	D7/700
D. 265,586	7/1982	Sloan	.....	D7/700
D. 287,035	12/1986	Lewis	.....	D7/700

796,816	8/1905	Crapper	.....	4/283
1,066,123	7/1913	Koch	.....	4/262
1,795,793	3/1931	Occhipinti	.....	4/261
4,503,572	3/1985	Dawson	.....	D7/700
4,908,882	3/1990	Williams	.....	4/261

*Primary Examiner*—James M. Gandy  
*Assistant Examiner*—Robin V. Taylor  
*Attorney, Agent, or Firm*—Terry M. Gernstein

### [57] CLAIM

The ornamental design for a funnel for adapting a container as a spittoon, as shown and described.

### DESCRIPTION

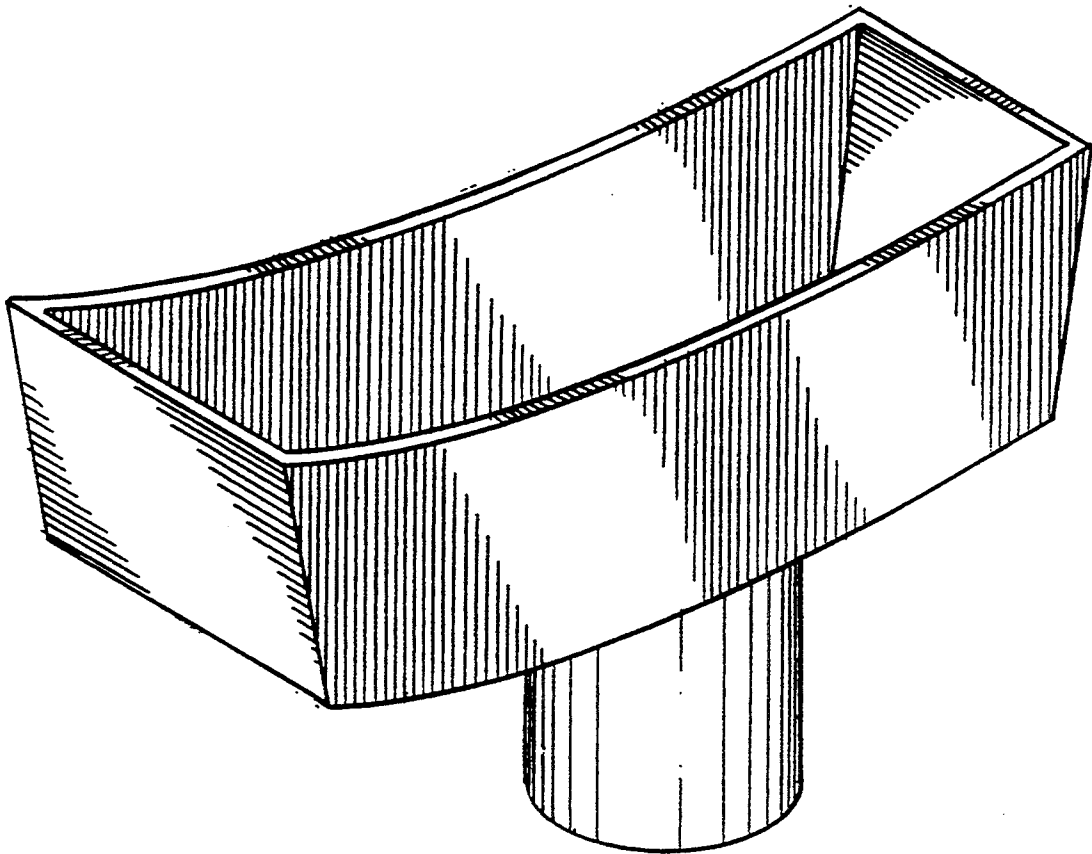
FIG. 1 is a front, top and side perspective view of the funnel for adapting a container as a spittoon showing my new design;

FIG. 2 is a front elevational view thereof, the rear being a mirror image of the front shown in FIG. 2;

FIG. 3 is a side elevational view thereof, the side opposite being a mirror image of the side shown in FIG. 3;

FIG. 4 is a top plan view thereof; and,

FIG. 5 is a bottom plan view thereof.



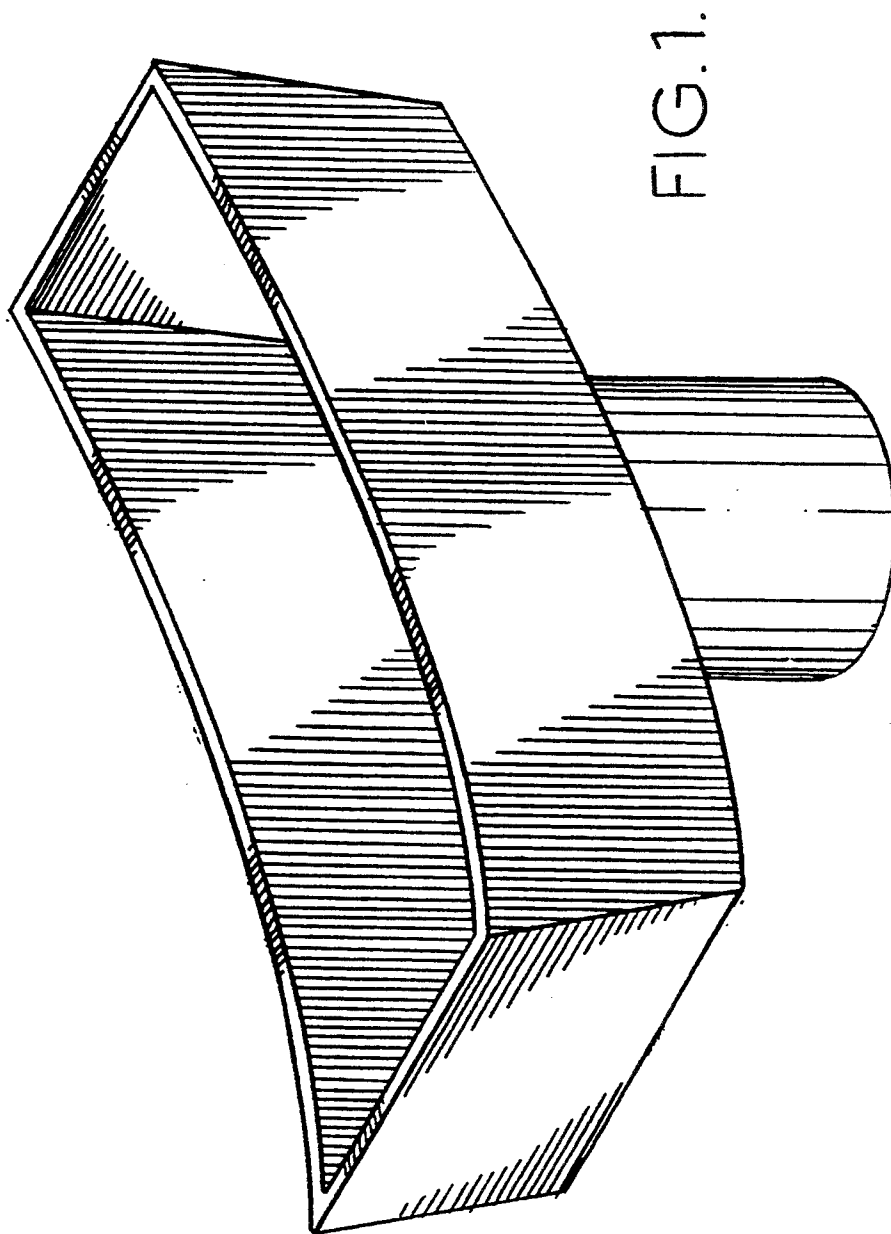


FIG. 1.

FIG. 3.

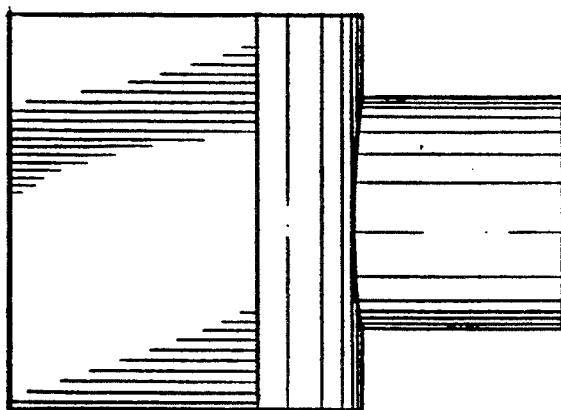
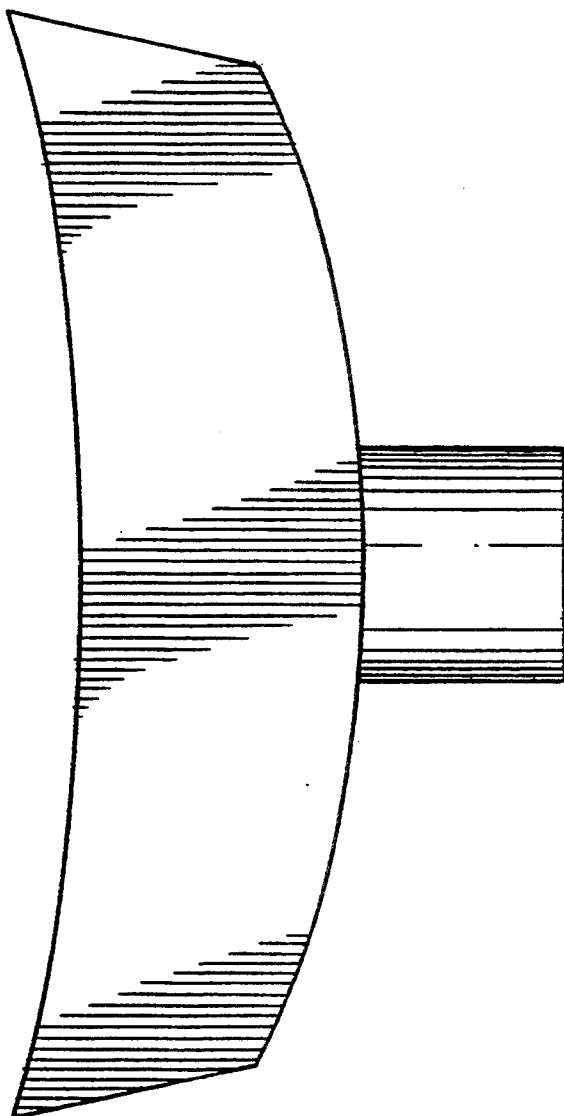


FIG. 2.



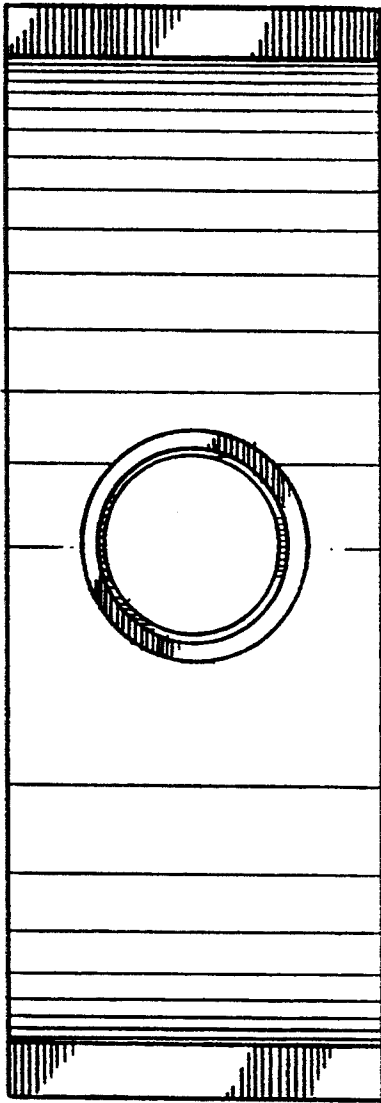


FIG. 5.

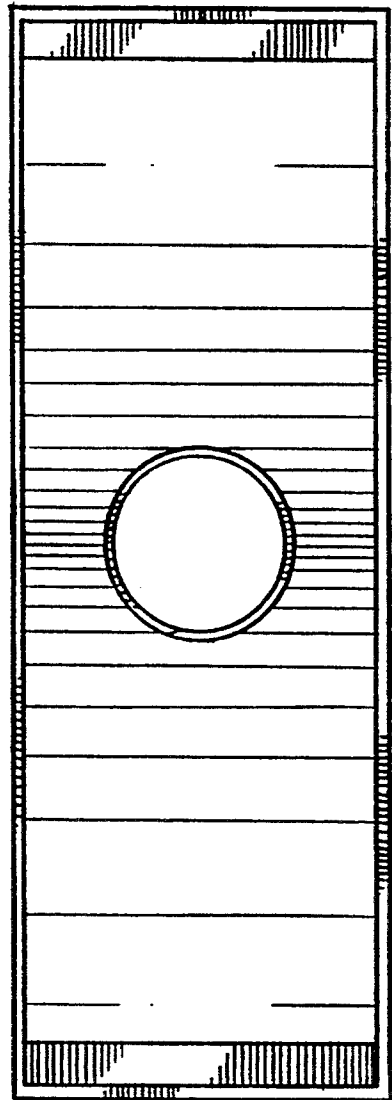


FIG. 4.