



US00D434444S

United States Patent [19]
Mak

[11] **Patent Number: Des. 434,444**

[45] **Date of Patent: ** Nov. 28, 2000**

[54] **PENCIL SHARPENER CASING**

[76] **Inventor: King Biu Mak**, Room A12, 5/F., Block A, Yau Tong Ind. City, 17 Ko Fai Road, Yau Tong, Kowloon, The Hong Kong Special Administrative Region of the People's Republic of China

[**] **Term: 14 Years**

[21] **Appl. No.: 29/104,930**

[22] **Filed: May 13, 1999**

[51] **LOC (7) Cl. 19-06**

[52] **U.S. Cl. D19/73**

[58] **Field of Search** D19/65, 73, 74, D19/75, 95, 99, 100; D8/98; 144/28.1, 28.11, 28.2-28.7, 28.72, 28.8, 28.9, 30; 30/451-452

[56] **References Cited**

U.S. PATENT DOCUMENTS

- D. 221,907 9/1971 Kajiwara D19/73
- D. 222,188 10/1971 Kajiwara D19/73

- D. 237,610 11/1975 Macowski D19/73
- D. 298,840 12/1988 Macowski D19/73
- D. 396,062 7/1998 White et al. D19/73
- D. 406,173 2/1999 Chen D19/73
- 3,152,581 10/1964 Kent 144/28.5
- 3,678,975 7/1972 Imanishi et al. 144/28.5

Primary Examiner—Martie K. Holtje
Attorney, Agent, or Firm—Hall, Priddy, Myers & Vande Sande

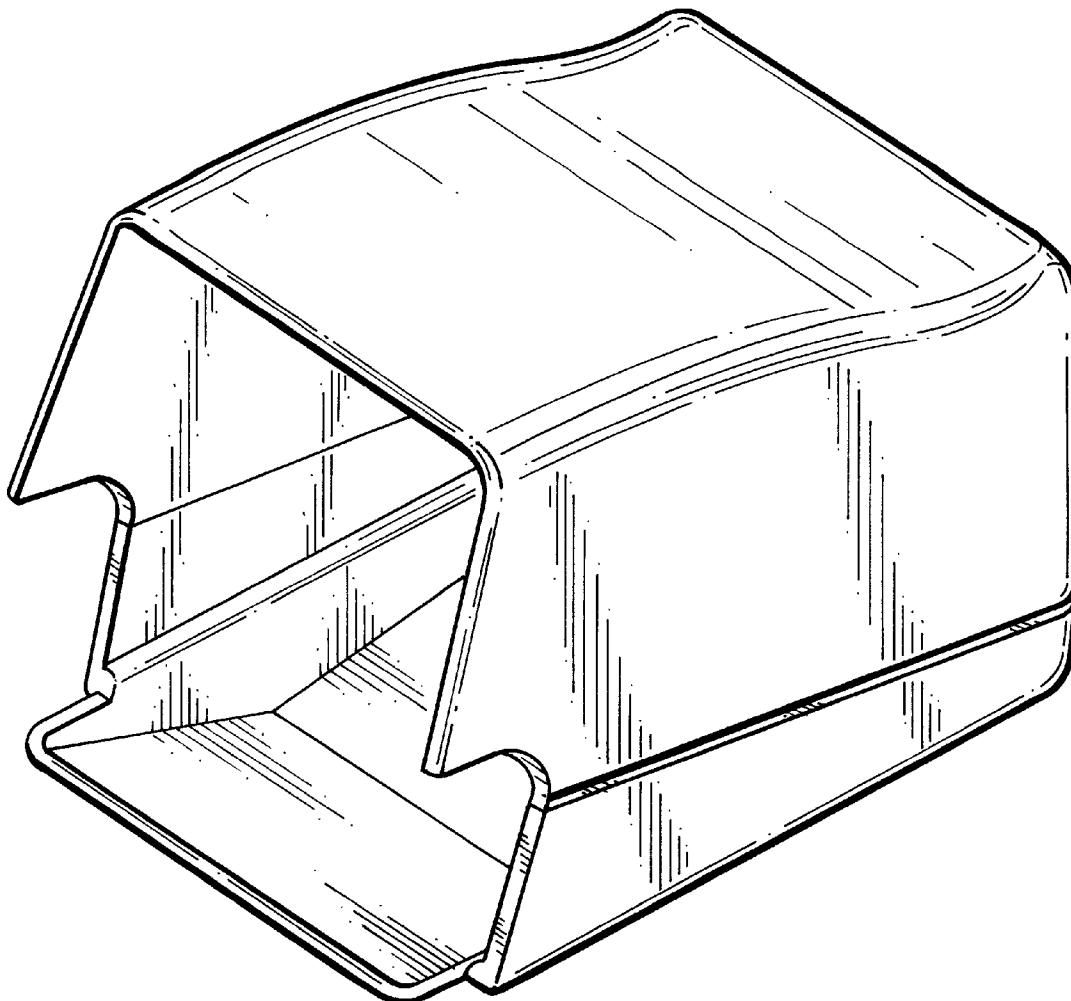
[57] **CLAIM**

The ornamental design for a pencil sharpener casing, as shown.

DESCRIPTION

FIG. 1 is an isometric view of the pencil sharpener casing; FIG. 2 is a first side view; FIG. 3 is a top view; FIG. 4 is a bottom view; FIG. 5 is a second side view; FIG. 6 is a front view; and, FIG. 7 is a rear view.

1 Claim, 4 Drawing Sheets



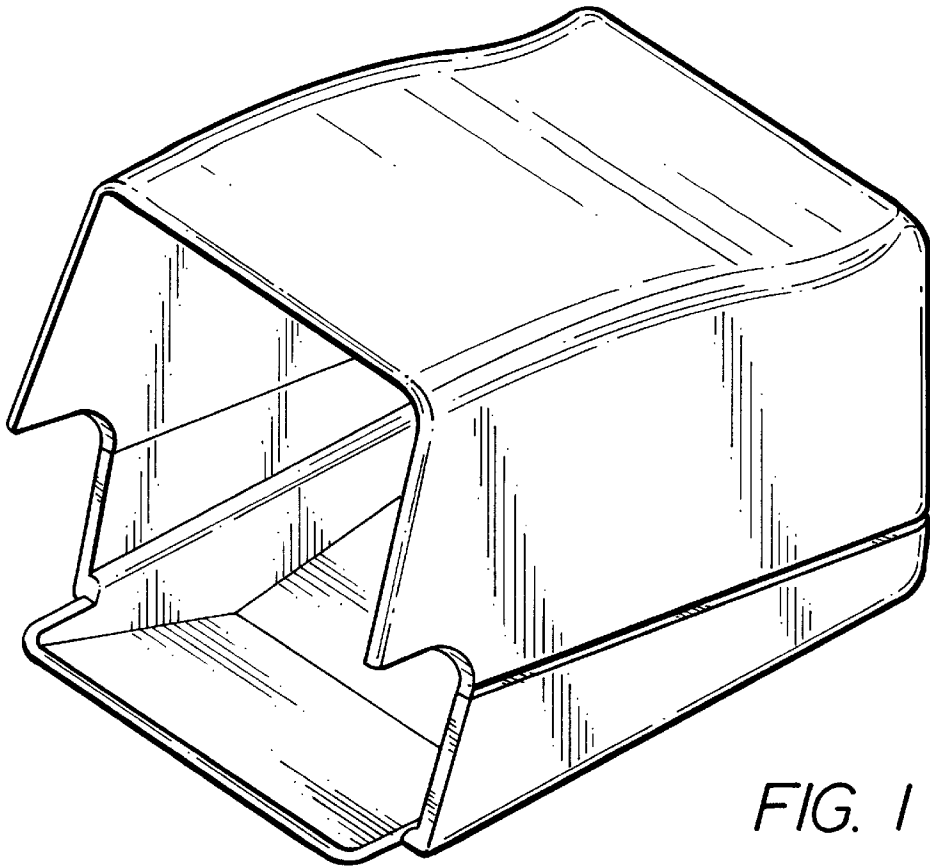


FIG. 1

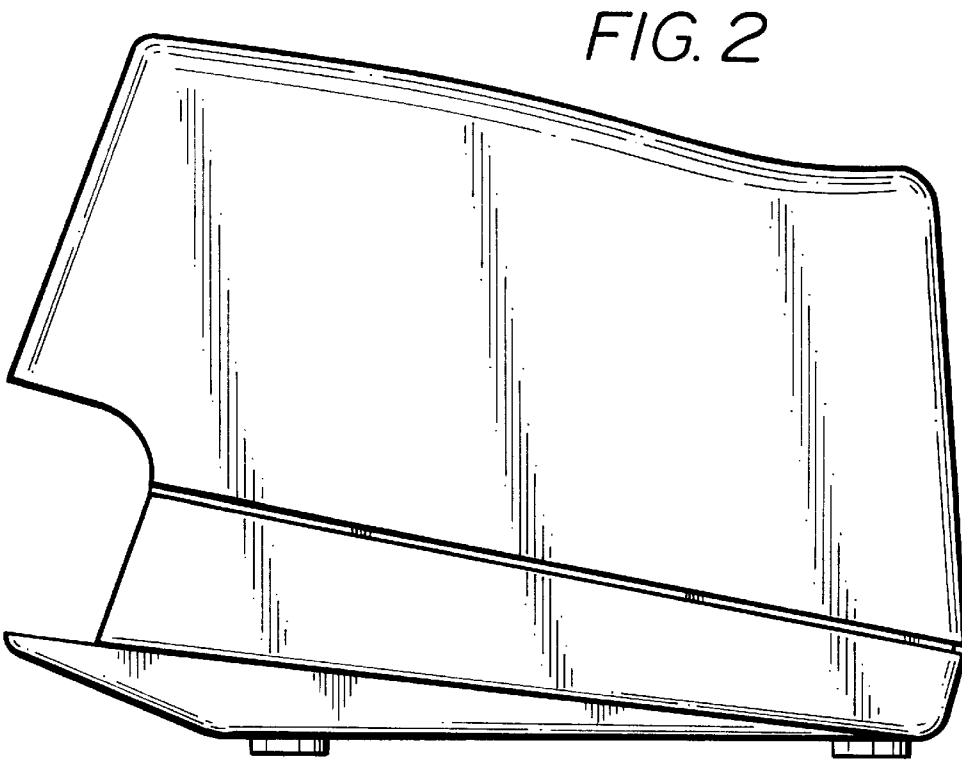


FIG. 2

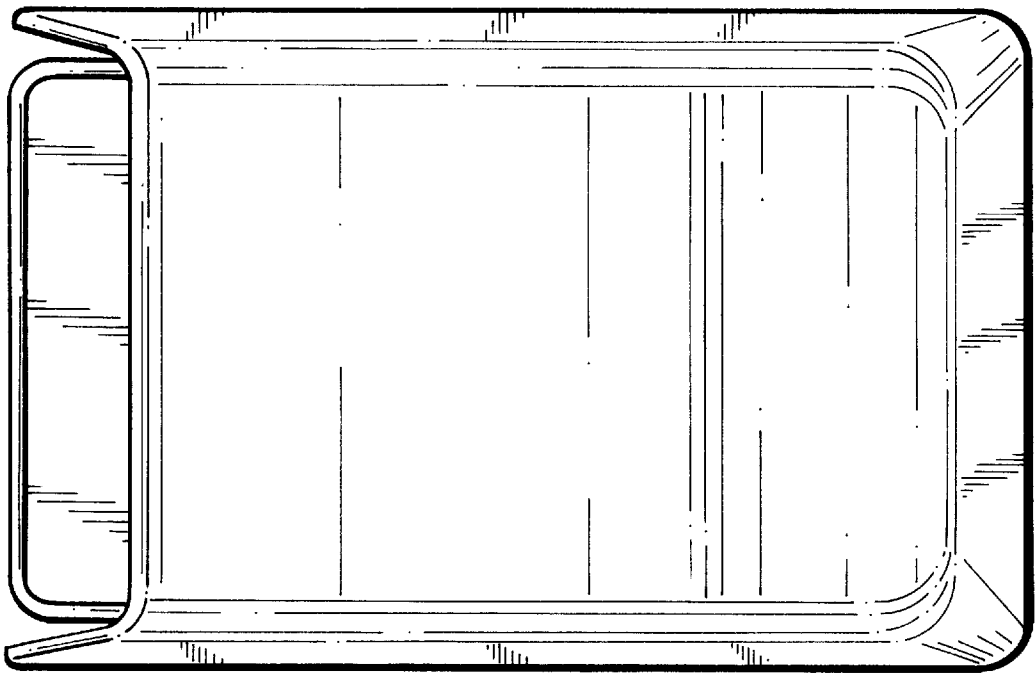
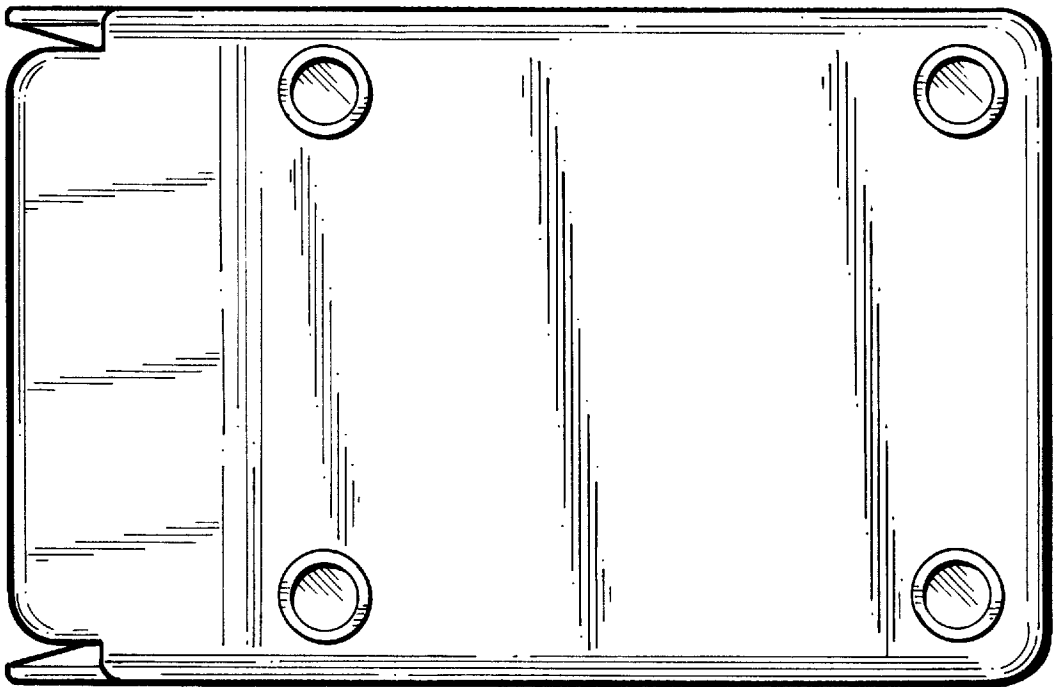


FIG. 3

FIG. 4



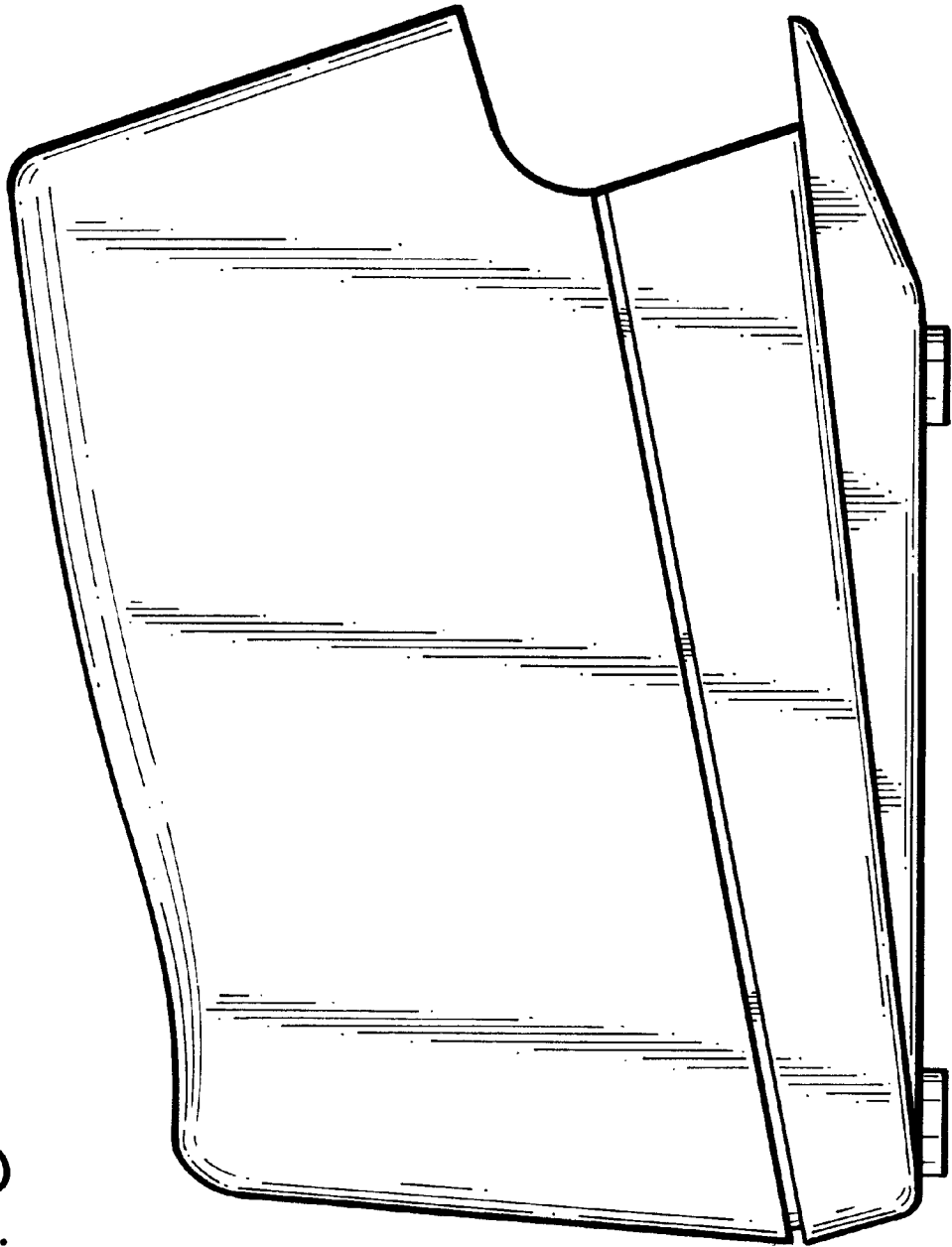


FIG. 5

FIG. 7

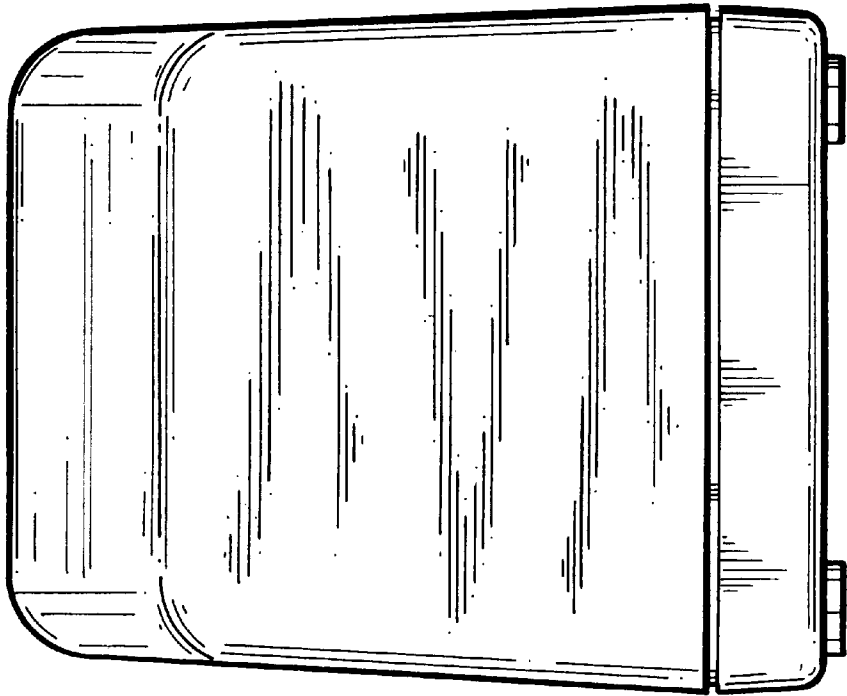


FIG. 6

