



US00D492304S1

(12) **United States Design Patent**
Nishida

(10) **Patent No.:** **US D492,304 S**

(45) **Date of Patent:** **** Jun. 29, 2004**

(54) **ELECTRONIC ORGANIZER**

(75) Inventor: **Koji Nishida, Nara-ken (JP)**

(73) Assignee: **Sharp Kabushiki Kaisha, Osaka (JP)**

(**) Term: **14 Years**

(21) Appl. No.: **29/183,706**

(22) Filed: **Jun. 17, 2003**

(30) **Foreign Application Priority Data**

Dec. 19, 2002 (JP) 2002-035279

(51) **LOC (7) Cl.** **14-02**

(52) **U.S. Cl.** **D14/345**

(58) **Field of Search** D14/341-346;
D18/1, 2, 7; 235/145 A, 145 R; 341/22,
23; 345/156, 168, 169, 172, 173, 87; 361/680-686;
349/12

(56) **References Cited**

U.S. PATENT DOCUMENTS

- D354,478 S * 1/1995 Miyahara D14/345
- D466,115 S * 11/2002 Hawkins et al. D14/345
- D468,736 S * 1/2003 Loh et al. D14/345

* cited by examiner

Primary Examiner—Freda S. Nunn

(74) *Attorney, Agent, or Firm*—Nixon & Vanderhye, P.C.;
Richard G. Besha

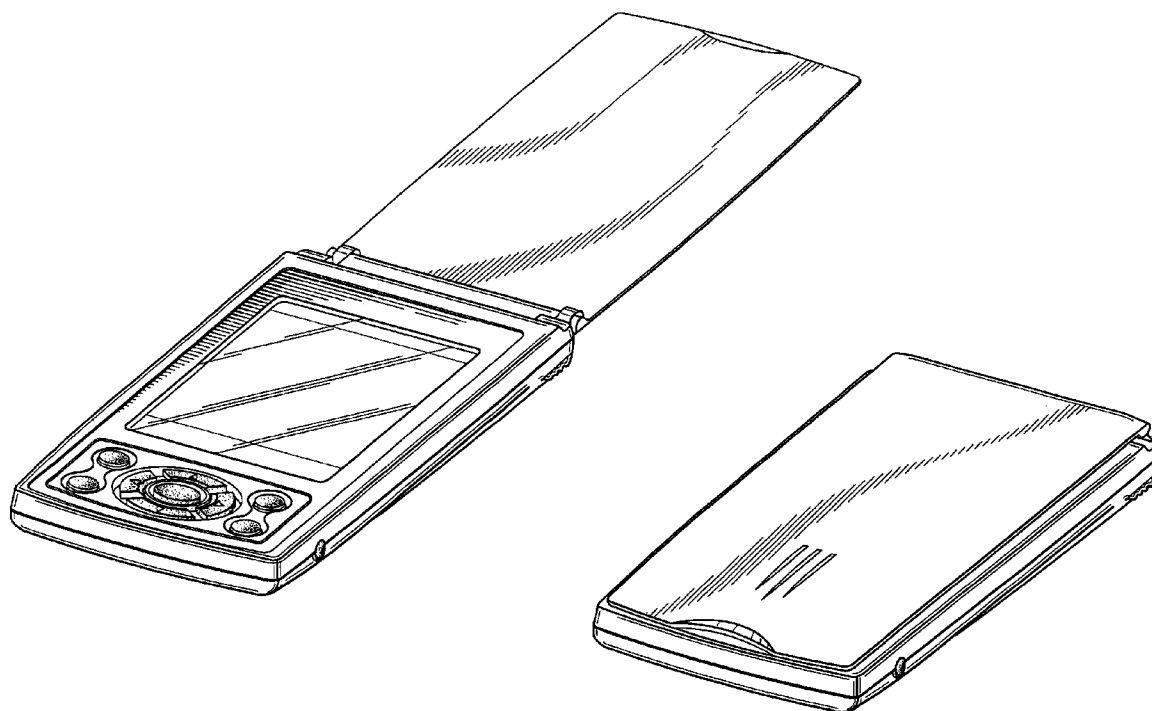
(57) **CLAIM**

The ornamental design for an “electronic organizer,” as shown and described.

DESCRIPTION

FIG. 1 is a top, front and right side perspective view of an electronic organizer according to my design;
 FIG. 2 is a top plan view thereof;
 FIG. 3 is a bottom plan view thereof;
 FIG. 4 is a front elevational view thereof;
 FIG. 5 is a rear elevational view thereof;
 FIG. 6 is a right side elevational view thereof;
 FIG. 7 is a left side elevational view thereof;
 FIG. 8 is a top, front and right side perspective view of the electronic organizer hereof in a closed position;
 FIG. 9 is a top plan view thereof;
 FIG. 10 is a bottom plan view thereof;
 FIG. 11 is a front elevational view thereof;
 FIG. 12 is a rear elevational view thereof;
 FIG. 13 is a right side elevational view thereof; and,
 FIG. 14 is a left side elevational view thereof.

1 Claim, 10 Drawing Sheets



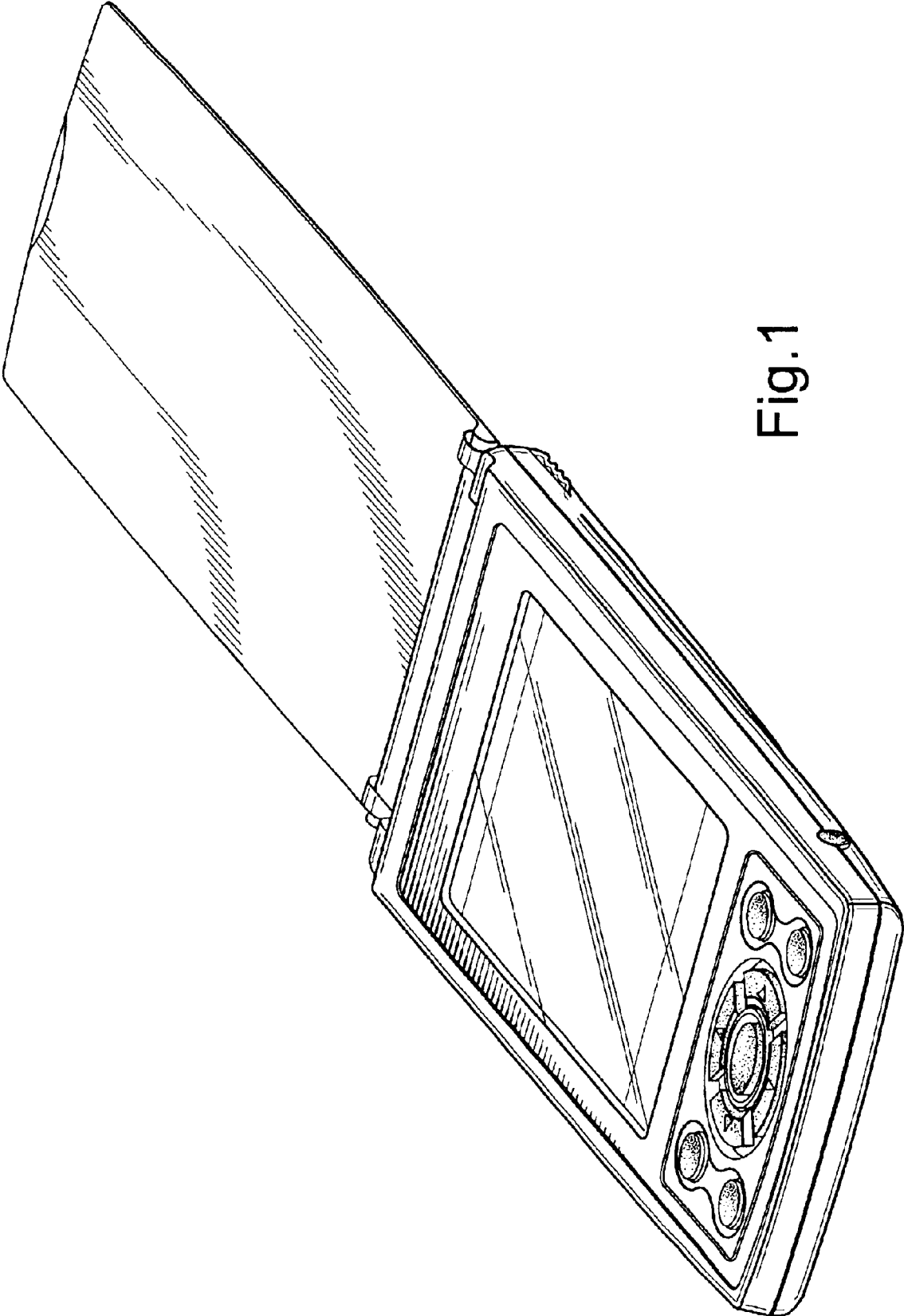


Fig. 1

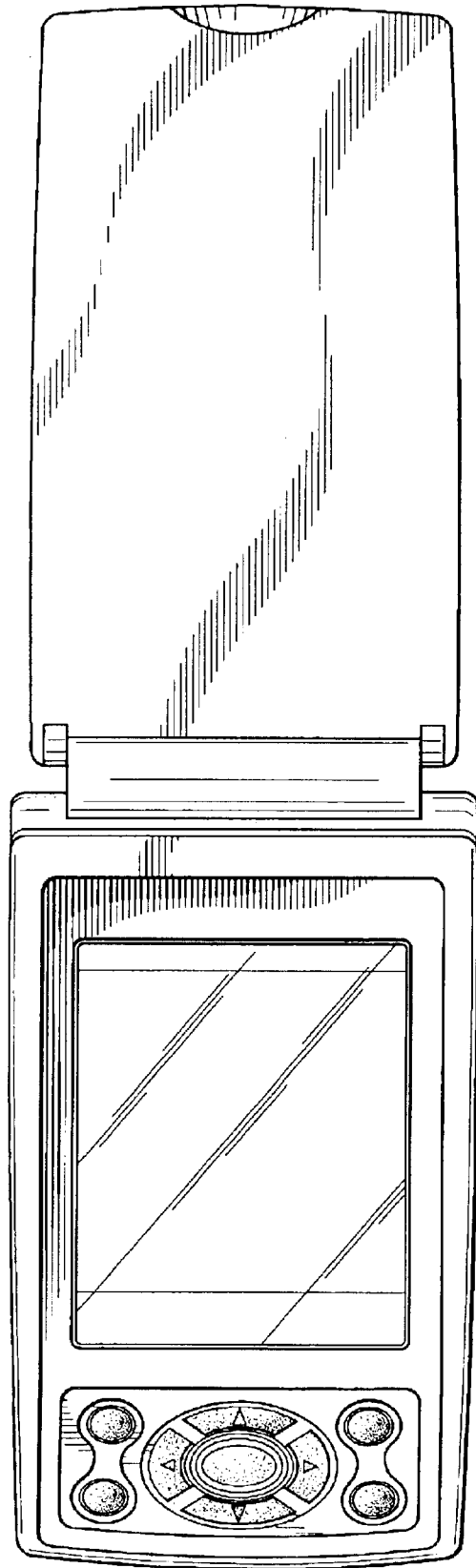


Fig.2

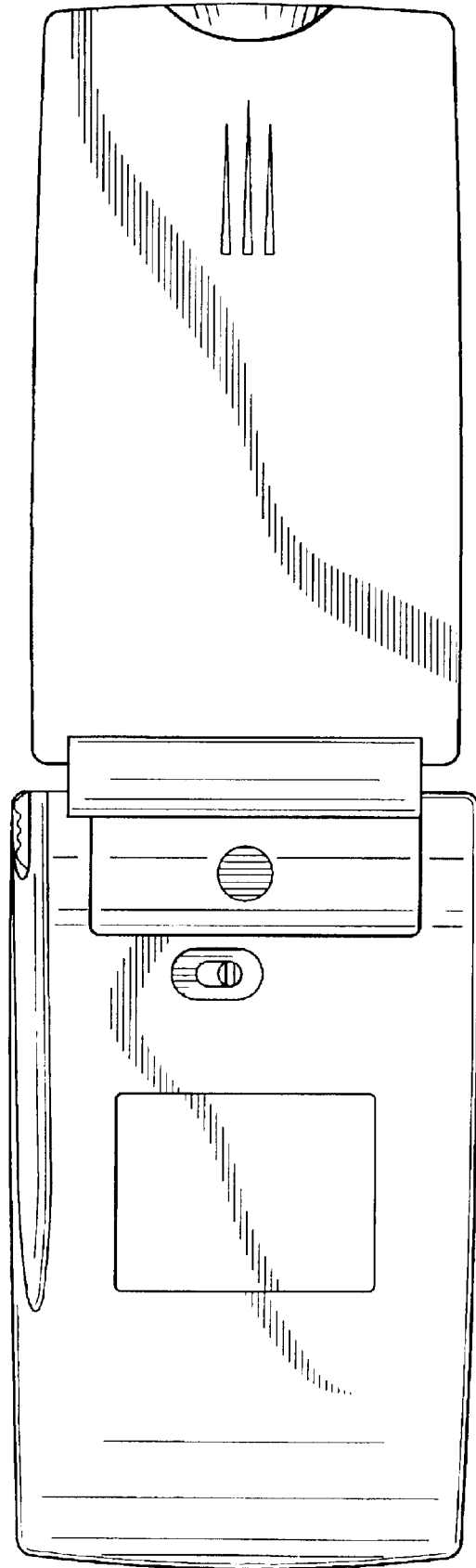


Fig.3

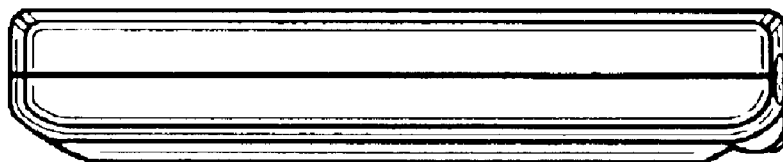


Fig.4



Fig.5

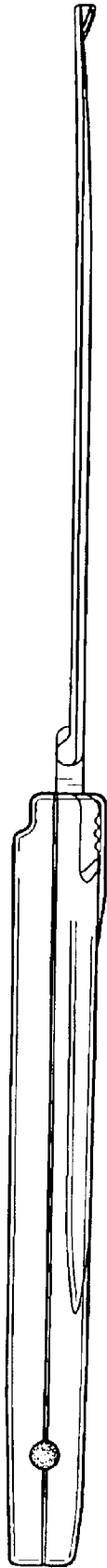


Fig.6

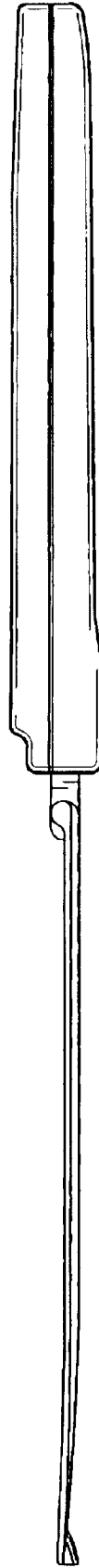


Fig.7

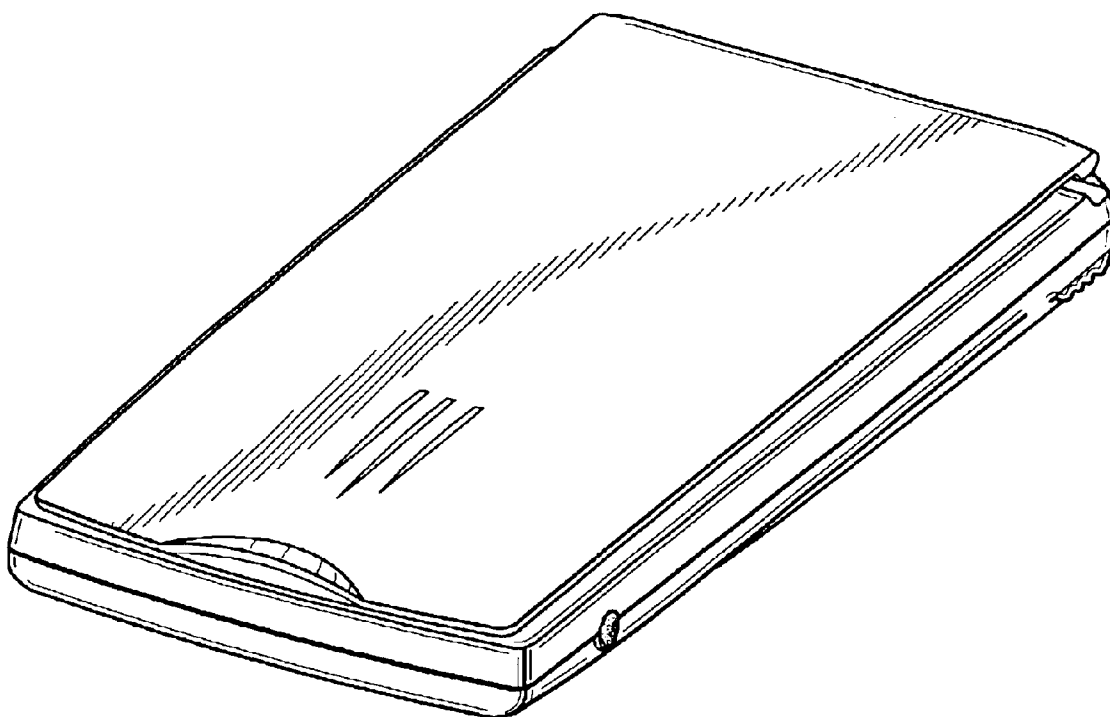


Fig.8

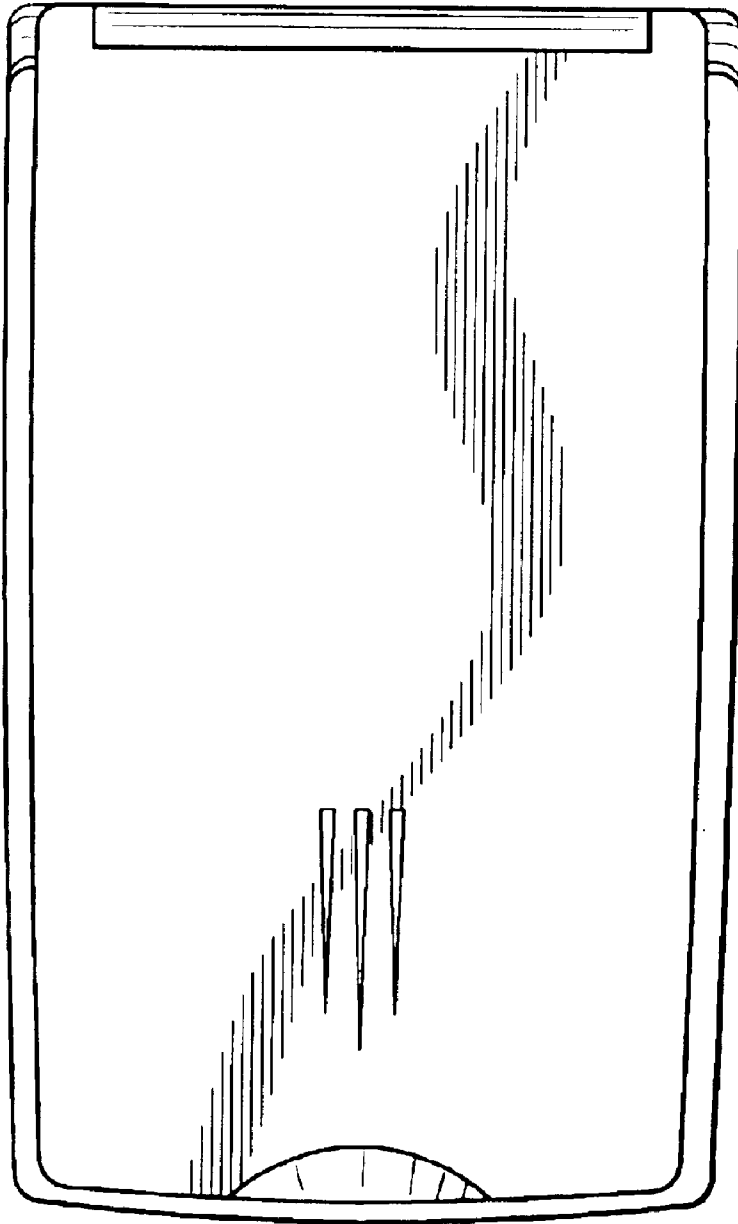


Fig.9

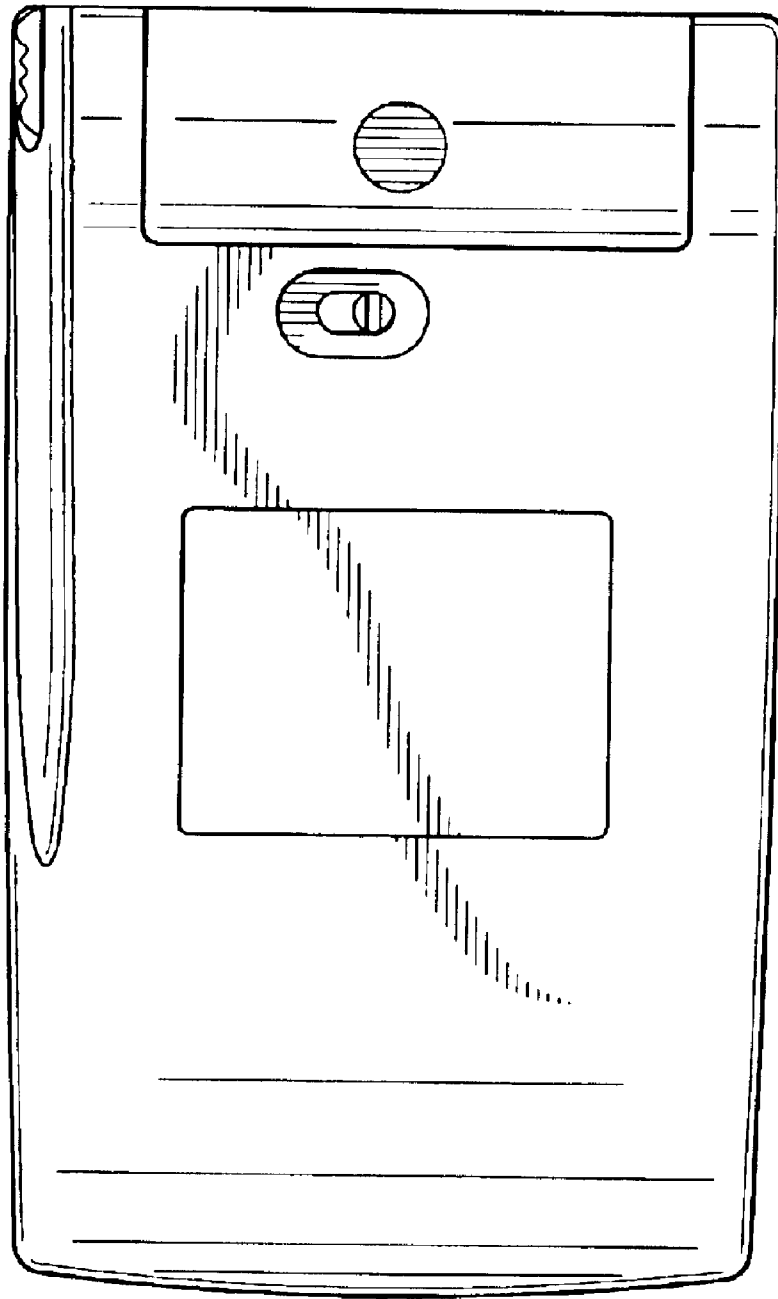


Fig.10



Fig.12



Fig.11



Fig. 13

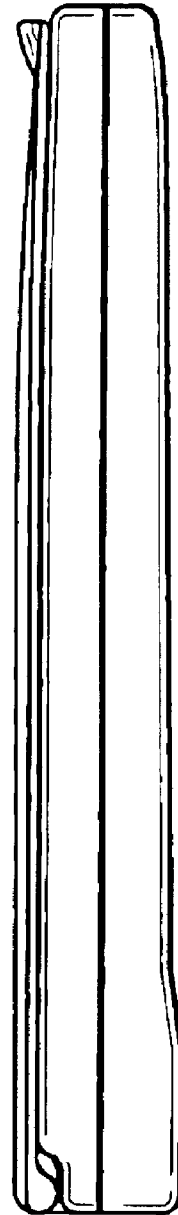


Fig. 14