

(19) World Intellectual Property Organization
International Bureau



(43) International Publication Date
10 August 2006 (10.08.2006)

PCT

(10) International Publication Number
WO 2006/084175 A3

(51) International Patent Classification:
B60S 9/02 (2006.01)

(21) International Application Number:
PCT/US2006/003922

(22) International Filing Date: 6 February 2006 (06.02.2006)

(25) Filing Language: English

(26) Publication Language: English

(30) Priority Data:
60/650,421 4 February 2005 (04.02.2005) US

(71) Applicant (for all designated States except US): **ALCOA INC.** [US/US]; Alcoa Corporate Center, 201 Isabella Street, Pittsburgh, Pennsylvania 15212-5858 (US).

(72) Inventors: **TRAGESER, Andrew B.**; 204 Kalkirk Drive, Pittsburgh, Pennsylvania 15238 (US). **STOL, Israel**; 639 Rock Springs Road, Pittsburgh, Pennsylvania 15228 (US).

(74) Agent: **HILD, Jr., Harry A.**; Alcoa Technical Center, 100 Technical Drive, Alcoa Center, Pennsylvania 15069-0001, (US).

(81) Designated States (unless otherwise indicated, for every kind of national protection available): AE, AG, AL, AM,

AT, AU, AZ, BA, BB, BG, BR, BW, BY, BZ, CA, CH, CN, CO, CR, CU, CZ, DE, DK, DM, DZ, EC, EE, EG, ES, FI, GB, GD, GE, GH, GM, HR, HU, ID, IL, IN, IS, JP, KE, KG, KM, KN, KP, KR, KZ, LC, LK, LR, LS, LT, LU, LV, LY, MA, MD, MG, MK, MN, MW, MX, MZ, NA, NG, NI, NO, NZ, OM, PG, PH, PL, PT, RO, RU, SC, SD, SE, SG, SK, SL, SM, SY, TJ, TM, TN, TR, TT, TZ, UA, UG, US, UZ, VC, VN, YU, ZA, ZM, ZW.

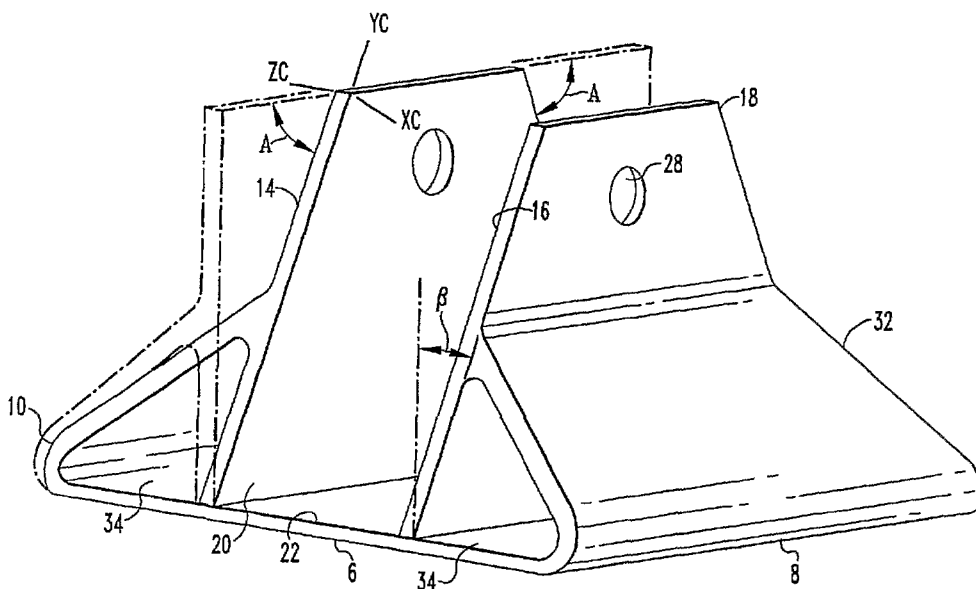
(84) Designated States (unless otherwise indicated, for every kind of regional protection available): ARIPO (BW, GH, GM, KE, LS, MW, MZ, NA, SD, SL, SZ, TZ, UG, ZM, ZW), Eurasian (AM, AZ, BY, KG, KZ, MD, RU, TJ, TM), European (AT, BE, BG, CH, CY, CZ, DE, DK, EE, ES, FI, FR, GB, GR, HU, IE, IS, IT, LT, LU, LV, MC, NL, PL, PT, RO, SE, SI, SK, TR), OAPI (BF, BJ, CF, CG, CI, CM, GA, GN, GQ, GW, ML, MR, NE, SN, TD, TG).

Published:
— with international search report

(88) Date of publication of the international search report:
1 November 2007

For two-letter codes and other abbreviations, refer to the "Guidance Notes on Codes and Abbreviations" appearing at the beginning of each regular issue of the PCT Gazette.

(54) Title: EXTRUDED MONOLITHIC ALUMINUM TRAILER LANDING GEAR FOOT AND METHOD OF MAKING SAME



(57) Abstract: This invention discloses a monolithic aluminum foot (2) for use with a tractor trailer landing gear. The monolithic foot (2) has a pocket (20) that is adapted to receive the landing gear (4) and one or more support members (32) extending radially outward from the walls (14, 16) of the pocket (20). The support members (32) are integrally extruded with the walls (14, 16) of the pocket (20) during the extrusion of the foot (2). The foot (2) and the landing gear (4) have one or more aligned apertures (28) that are adapted to receive one or more locking members, which lock the foot (2) to the landing gear (4). This invention also discloses an extrusion method of fabricating monolithic foot (2) in tractor trailer gear.

WO 2006/084175 A3

INTERNATIONAL SEARCH REPORT

International application No.
PCT/US 06/03922

A. CLASSIFICATION OF SUBJECT MATTER
 IPC(8): B60S 9/02 (2007.01)
 USPC: 254/419
 According to International Patent Classification (IPC) or to both national classification and IPC

B. FIELDS SEARCHED
 Minimum documentation searched (classification system followed by classification symbols)
 IPC(8): B60S 9/02 (2007.01)
 USPC: 254/419

Documentation searched other than minimum documentation to the extent that such documents are included in the fields searched
 USPC: 254/418, 419; 280/28.5; 248/352; 280/475, 762, 763.1 (limited text search); 248/188.8, 346.03 (limited text search)

Electronic data base consulted during the international search (name of data base and, where practicable, search terms used)
 USPTO WEST (PGPGB, USPT, USOC, EPAB, JPAB), google.com
 Search Terms: extrude or extruded or extrusion, apparatus, shoe, foot, support, jack foot, jack base, truck, trailer, semitrailer or semi-trailer, tractor, foot pad, landing gear, unitary, integral, monolithic, one-piece, sandshoe or sand shoe, support foot, aluminum

C. DOCUMENTS CONSIDERED TO BE RELEVANT

Category*	Citation of document, with indication, where appropriate, of the relevant passages	Relevant to claim No.
Y	US 4,903,977 A (Baxter) 27 February 1990 (27.02.1990), entire document.	1-10
Y	US 4,284,293 A (Rygajlo) 18 August 1981 (18.08.1981), col 2, ln 6-7	1-10
Y	US 4,589,932 A (Park) 20 May 1986 (20.05.1986), col 1, ln 9-40	2 and 3
Y	US 4,694,932 A (Schmitt) 22 September 1987 (22.09.1987), (col 1, ln 25-42 and ln 31-34)	11-20
Y	US 2003/0183033 A1 (Peveler) 02 October 2003 (02.10.2003), entire document; Fig 5	11-20
Y	US 5,342,459 A (Klemp et al.) 30 August 1994 (30.08.1994), (see abstract; col 1, ln 14-28 and ln 52; col 3, ln 35-37; col 4, ln 3-5; col 6, ln 50-58; col 7, ln 26-32)	11-20

Further documents are listed in the continuation of Box C.

* Special categories of cited documents:	"T" later document published after the international filing date or priority date and not in conflict with the application but cited to understand the principle or theory underlying the invention
"A" document defining the general state of the art which is not considered to be of particular relevance	"X" document of particular relevance; the claimed invention cannot be considered novel or cannot be considered to involve an inventive step when the document is taken alone
"E" earlier application or patent but published on or after the international filing date	"Y" document of particular relevance; the claimed invention cannot be considered to involve an inventive step when the document is combined with one or more other such documents, such combination being obvious to a person skilled in the art
"L" document which may throw doubts on priority claim(s) or which is cited to establish the publication date of another citation or other special reason (as specified)	"&" document member of the same patent family
"O" document referring to an oral disclosure, use, exhibition or other means	
"P" document published prior to the international filing date but later than the priority date claimed	

Date of the actual completion of the international search 03 April 2007 (03.04.2007)	Date of mailing of the international search report 13 AUG 2007
---	--

Name and mailing address of the ISA/US Mail Stop PCT, Attn: ISA/US, Commissioner for Patents P.O. Box 1450, Alexandria, Virginia 22313-1450 Facsimile No. 571-273-3201	Authorized officer: Lee W. Young PCT Helpdesk: 571-272-4300 PCT OSP: 571-272-7774
---	--