



US00D746423S

(12) **United States Design Patent**
Schoenherr et al.

(10) **Patent No.:** **US D746,423 S**

(45) **Date of Patent:** **** Dec. 29, 2015**

- (54) **HANSHOWER HOLDER**
- (71) Applicant: **Hansgrohe SE**, Schiltach (DE)
- (72) Inventors: **Tom Schoenherr**, Stuttgart (DE); **Marco Flaig**, Stuttgart (DE)
- (73) Assignee: **Hansgrohe SE**, Schiltach (DE)
- (**) Term: **14 Years**
- (21) Appl. No.: **29/526,053**
- (22) Filed: **May 6, 2015**

6,473,916 B2 * 11/2002 Schiødt E03C 1/066
4/567
D553,404 S * 10/2007 Rexach D6/524
D622,829 S * 8/2010 Barnard D23/304
D695,880 S * 12/2013 Schoenherr D23/239

FOREIGN PATENT DOCUMENTS

CN	ZL200730151131.0	8/2008
CN	302373883	3/2013
DE	49812327.8	6/1999
EM	000870241-0003	1/2008
EM	002416388-0001	3/2014

* cited by examiner

Primary Examiner — Robert Delehanty

(74) *Attorney, Agent, or Firm* — Lora J. Graentzdoerffer

- (30) **Foreign Application Priority Data**
- Nov. 13, 2014 (EM) 002577742-0002
- (51) **LOC (10) Cl.** **23-02**
- (52) **U.S. Cl.**
- USPC **D23/304**
- (58) **Field of Classification Search**
- USPC D23/213, 223, 228, 239, 249, 304, 283;
D8/394, 373, 380; D6/524
- CPC E03C 1/06; E03C 1/066
- See application file for complete search history.

(57) **CLAIM**

The ornamental design for a handshower holder, as shown and described.

DESCRIPTION

FIG. 1 is a perspective view;
 FIG. 2 is a front elevation view;
 FIG. 3 is a rear elevation view;
 FIG. 4 is a right side elevation view;
 FIG. 5 is a left side elevation view;
 FIG. 6 is a top plan view; and,
 FIG. 7 is a bottom plan view.

The broken-line disclosure in the views represents portions of the handshower holder in which the claimed design is embodied, but which form no part of the claimed design.

- (56) **References Cited**
- U.S. PATENT DOCUMENTS**
- D267,582 S * 1/1983 Mackay D23/223
- 4,719,654 A * 1/1988 Blessing E03C 1/06
239/282
- 5,277,391 A * 1/1994 Haug E03C 1/066
D8/363

1 Claim, 7 Drawing Sheets

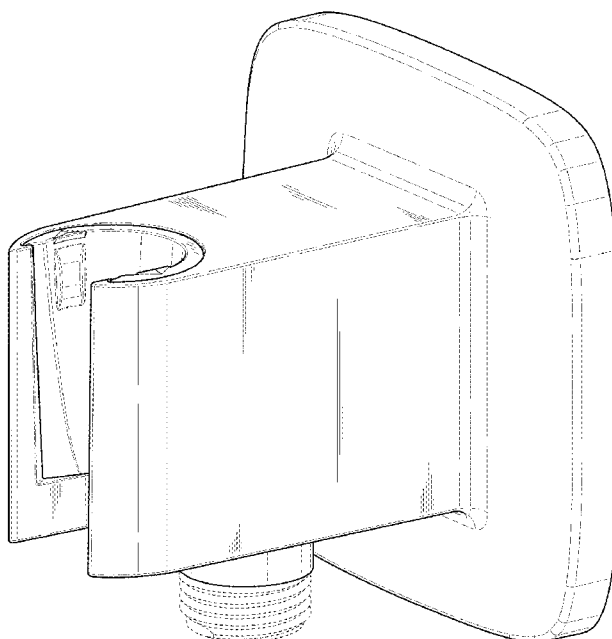


FIG. 1

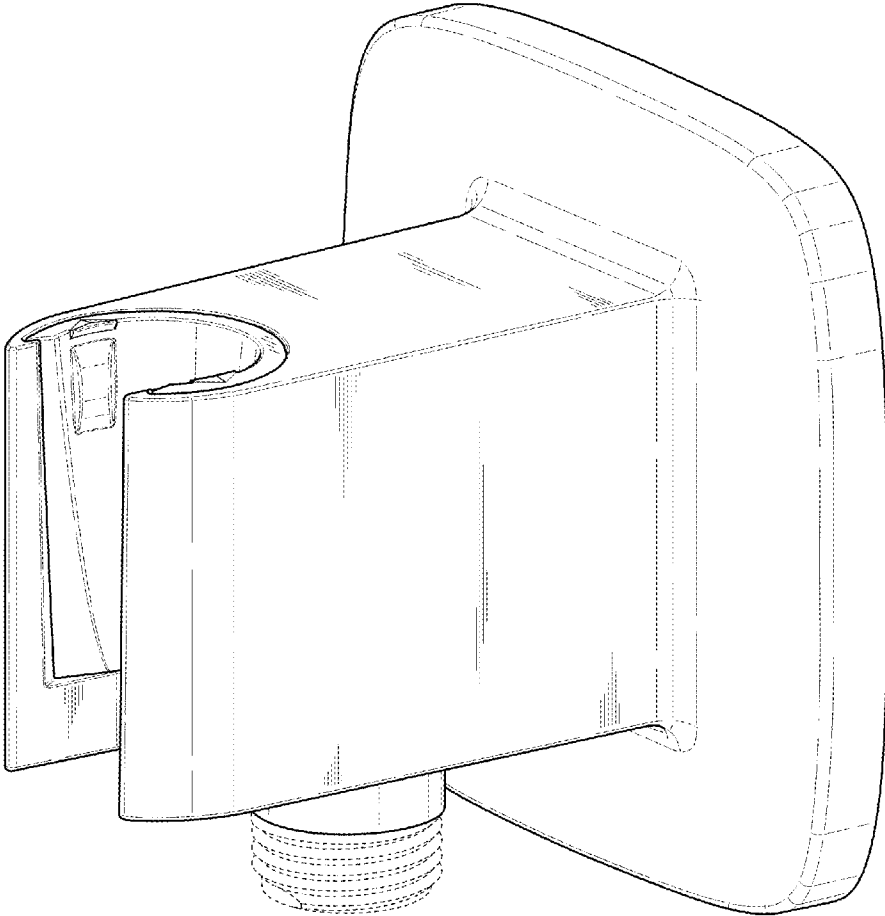


FIG. 2

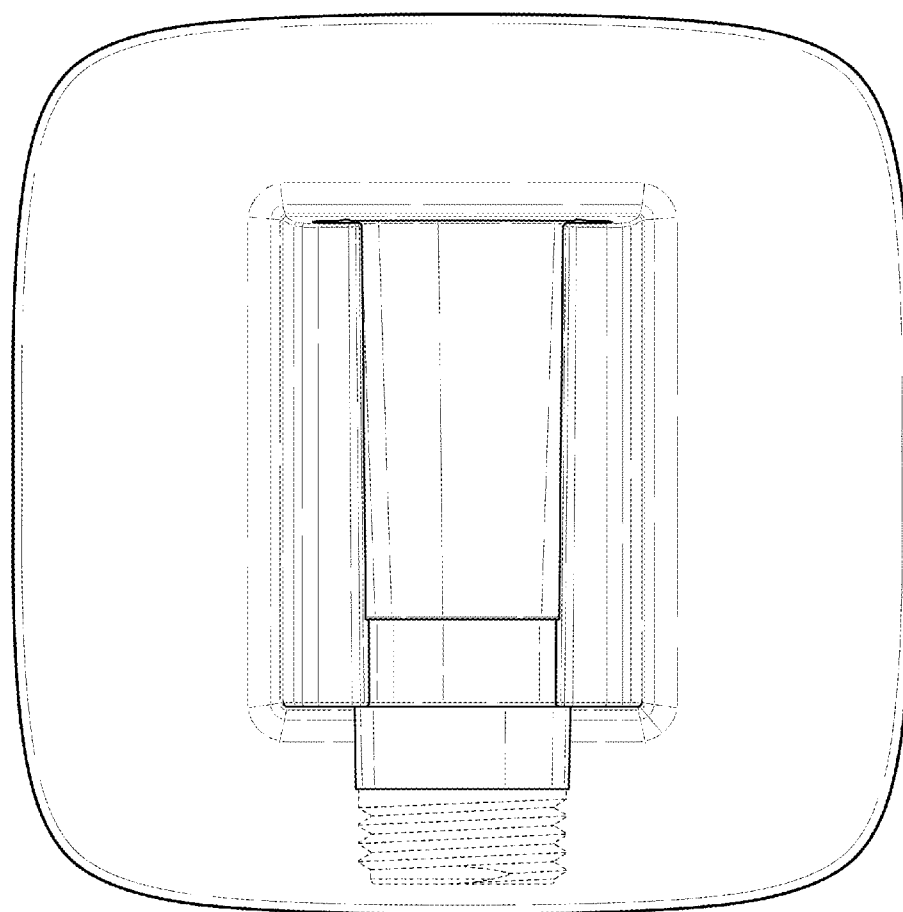


FIG. 3

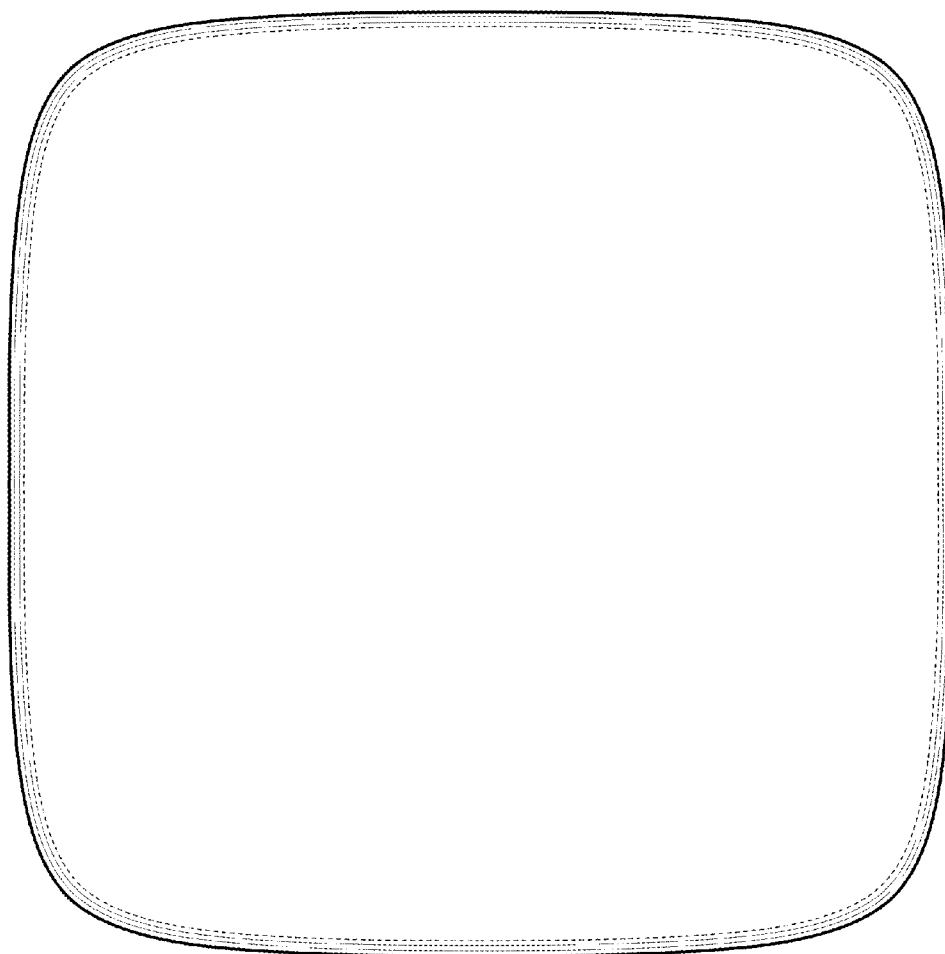


FIG. 4

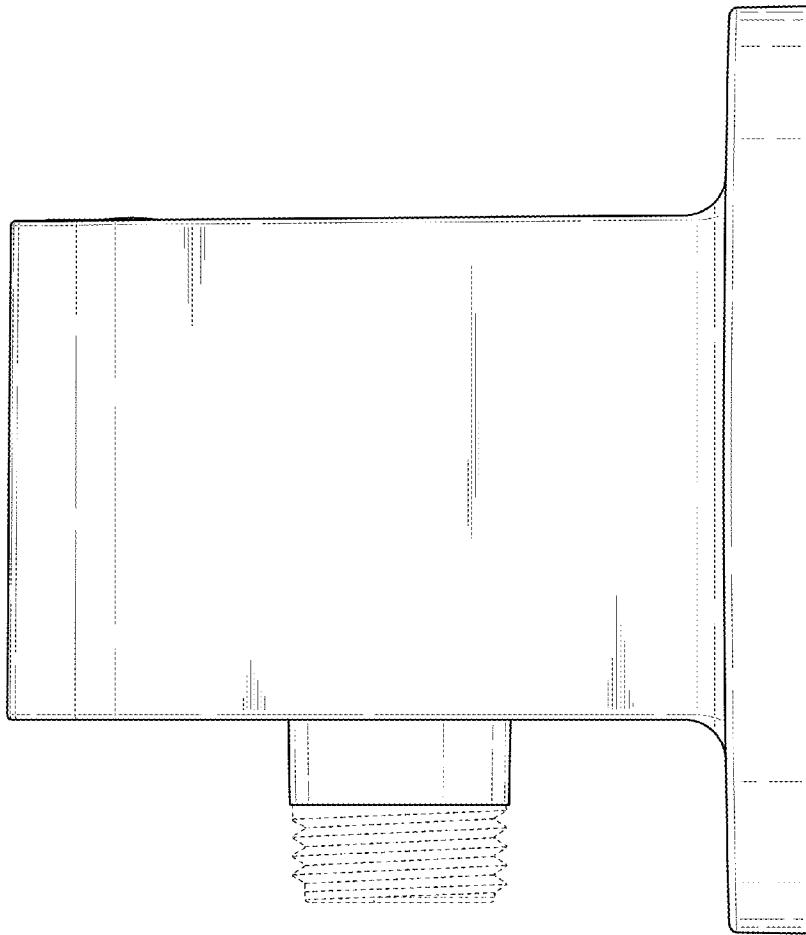


FIG. 5

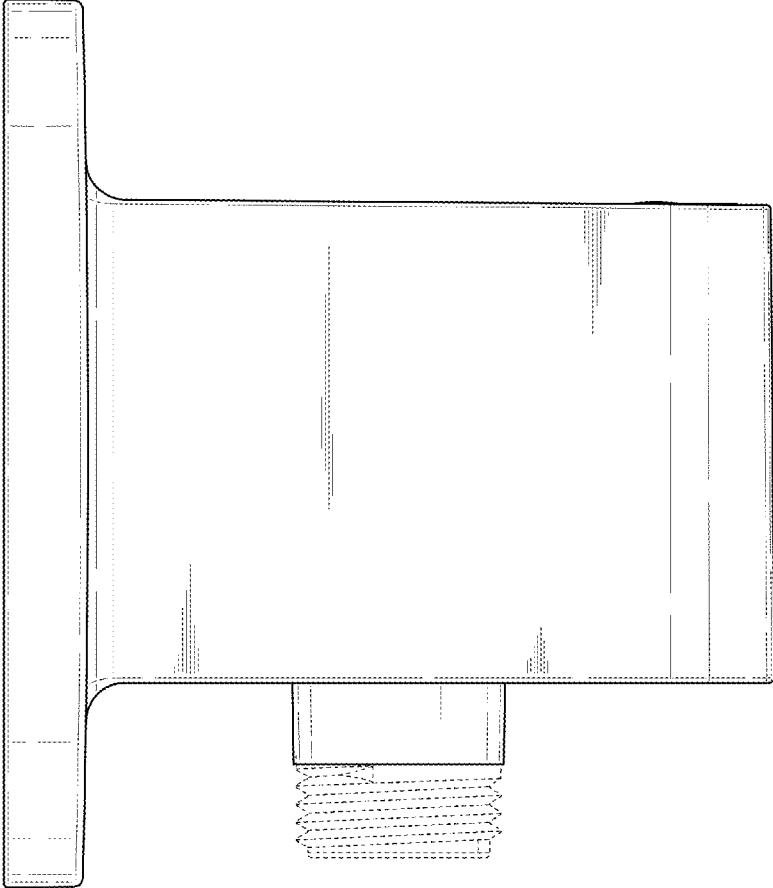


FIG. 6

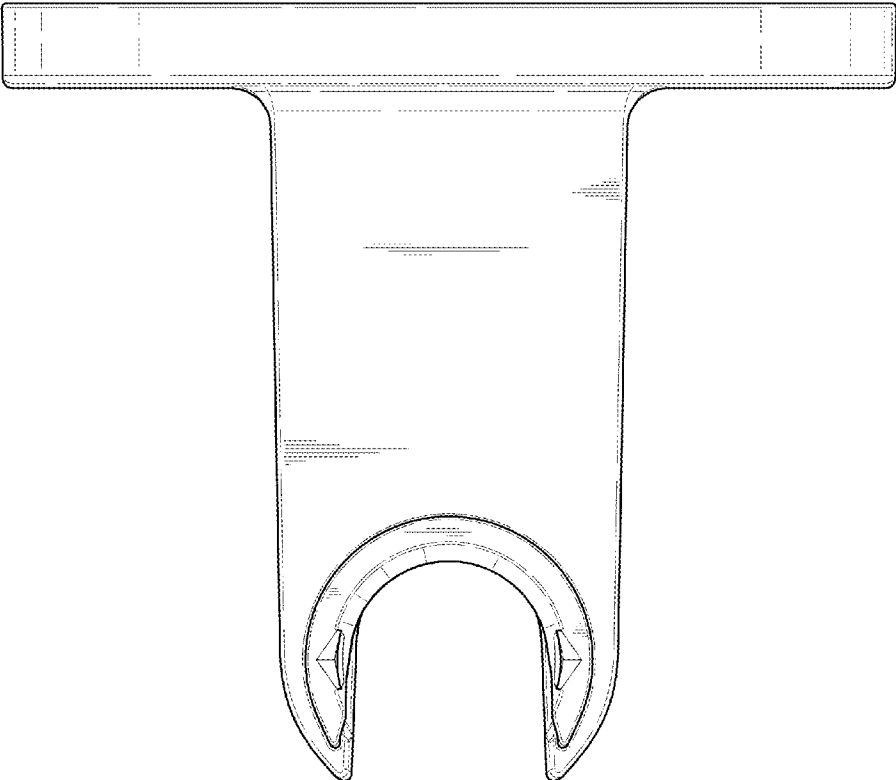


FIG. 7

