



- (51) **International Patent Classification:**  
*F02C 7/24* (2006.01)      *F01D 25/00* (2006.01)
- (21) **International Application Number:**  
PCT/US2013/063613
- (22) **International Filing Date:**  
7 October 2013 (07.10.2013)
- (25) **Filing Language:** English
- (26) **Publication Language:** English
- (30) **Priority Data:**  
13/662,900      29 October 2012 (29.10.2012)      US
- (71) **Applicant:** UNITED TECHNOLOGIES CORPORATION [US/US]; One Financial Plaza, Hartford, CT 06101 (US).
- (72) **Inventor:** RIOUX, Philip Robert; 65 Turkey Street, North Berwick, ME 03906 (US).
- (74) **Agent:** BUTCHKO, Karin, H.; Carlson, Gaskey & Olds/Pratt & Whitney, c/o CPA Global, P.O. Box 52050, Minneapolis, MN 55402 (US).
- (81) **Designated States** (*unless otherwise indicated, for every kind of national protection available*): AE, AG, AL, AM, AO, AT, AU, AZ, BA, BB, BG, BH, BN, BR, BW, BY,

BZ, CA, CH, CL, CN, CO, CR, CU, CZ, DE, DK, DM, DO, DZ, EC, EE, EG, ES, FI, GB, GD, GE, GH, GM, GT, HN, HR, HU, ID, IL, IN, IR, IS, JP, KE, KG, KN, KP, KR, KZ, LA, LC, LK, LR, LS, LT, LU, LY, MA, MD, ME, MG, MK, MN, MW, MX, MY, MZ, NA, NG, NI, NO, NZ, OM, PA, PE, PG, PH, PL, PT, QA, RO, RS, RU, RW, SA, SC, SD, SE, SG, SK, SL, SM, ST, SV, SY, TH, TJ, TM, TN, TR, TT, TZ, UA, UG, US, UZ, VC, VN, ZA, ZM, ZW.

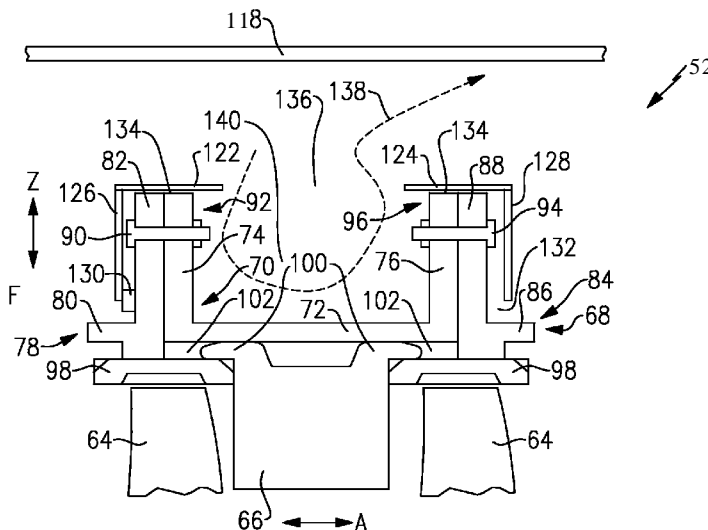
- (84) **Designated States** (*unless otherwise indicated, for every kind of regional protection available*): ARIPO (BW, GH, GM, KE, LR, LS, MW, MZ, NA, RW, SD, SL, SZ, TZ, UG, ZM, ZW), Eurasian (AM, AZ, BY, KG, KZ, RU, TJ, TM), European (AL, AT, BE, BG, CH, CY, CZ, DE, DK, EE, ES, FI, FR, GB, GR, HR, HU, IE, IS, IT, LT, LU, LV, MC, MK, MT, NL, NO, PL, PT, RO, RS, SE, SI, SK, SM, TR), OAPI (BF, BJ, CF, CG, CI, CM, GA, GN, GQ, GW, KM, ML, MR, NE, SN, TD, TG).

**Published:**

- with international search report (Art. 21(3))
- before the expiration of the time limit for amending the claims and to be republished in the event of receipt of amendments (Rule 48.2(h))

[Continued on nextpage]

(54) **Title:** BLAST SHIELD FOR HIGH PRESSURE COMPRESSOR



**FIG. 3**

(57) **Abstract:** A high pressure compressor includes an inner case wall, a plurality of flanges extending outwardly from the inner case wall, a shield that surrounds at least a portion of at least one of the plurality of flanges to define a chamber that at least partially encases at least one of the plurality of flanges, and a passage at least partially defined by the shield that allows air to circulate into the chamber.

WO 2014/099105 A3

(88) Date of publication of the international search report:  
21 August 2014

## INTERNATIONAL SEARCH REPORT

International application No.  
**PCT/US2013/063613****A. CLASSIFICATION OF SUBJECT MATTER****F02C 7/24(2006.01)i, F01D 25/00(2006.01)i**

According to International Patent Classification (IPC) or to both national classification and IPC

**B. FIELDS SEARCHED**Minimum documentation searched (classification system followed by classification symbols)  
F02C 7/24; B23P 15/02; F04D 29/58; F02K 3/04; F01D 25/00Documentation searched other than minimum documentation to the extent that such documents are included in the fields searched  
Korean utility models and applications for utility models  
Japanese utility models and applications for utility modelsElectronic data base consulted during the international search (name of data base and, where practicable, search terms used)  
eKOMPASS(KIPO internal) & keywords: high pressure compressor, inner case wall, flange, shield, chamber, passage, seal and gap**C. DOCUMENTS CONSIDERED TO BE RELEVANT**

Category *	Citation of document, with indication, where appropriate, of the relevant passages	Relevant to claim No.
Y A	US 2006-0193721 AI (ADAM et al.) 31 August 2006 See paragraphs [0031], [0035]-[0037], [0039] and figures 1,2.	1, 11-13 2-10, 14-20
Y A	US 2007-0140839 AI (BUCARO et al.) 21 June 2007 See paragraphs [0023], [0026]-[0030] and figure 2.	1, 11-13 2-10, 14-20
A	US 2005-0091984 AI (CZACHOR, ROBERT) 05 May 2005 See paragraphs [0031]-[0035] and figures 10-14.	1-20
A	US 2008-0112798 AI (SEITZER et al.) 15 May 2008 See paragraphs [0053]-[0056] and figure 3.	1-20
A	US 2008-0120841 AI (RING et al.) 29 May 2008 See paragraphs [0019], [0020] and figure 3.	1-20

 Further documents are listed in the continuation of Box C. See patent family annex.

\* Special categories of cited documents:

"A" document defining the general state of the art which is not considered to be of particular relevance

"E" earlier application or patent but published on or after the international filing date

"L" document which may throw doubts on priority claim(s) or which is cited to establish the publication date of another citation or other special reason (as specified)

"O" document referring to an oral disclosure, use, exhibition or other means

"P" document published prior to the international filing date but later than the priority date claimed

"T" later document published after the international filing date or priority date and not in conflict with the application but cited to understand the principle or theory underlying the invention

"X" document of particular relevance; the claimed invention cannot be considered novel or cannot be considered to involve an inventive step when the document is taken alone

"Y" document of particular relevance; the claimed invention cannot be considered to involve an inventive step when the document is combined with one or more other such documents, such combination being obvious to a person skilled in the art

"&amp;" document member of the same patent family


Date of the actual completion of the international search

07 M y 2014 (07.07.2014)

Date of mailing of the international search report

**07 July 2014 (07.07.2014)**

Name and mailing address of the ISA/KR


**International Application Division**  
**Korean Intellectual Property Office**  
 189 Cleongsa-ro, Seo-gu, Daejeon Metropolitan City, 302-701,  
 Republic of Korea

Facsimile No. +82-42-472-7140

Authorized officer

JEONG, A Ram

Telephone No. +82-42-481-3388



## INTERNATIONAL SEARCH REPORT

Information on patent family members

International application No.

**PCT/US2013/063613**

Patent document cited in search report	Publication date	Patent family member(s)	Publication date
US 2006-0193721 AI	31/08/2006	CA 2537672 AI	25/08/2006
		CA 2537672 C	08/10/2013
		EP 1698761 A2	06/09/2006
		EP 1698761 A3	11/10/2006
		FR 2882573 AI	01/09/2006
		FR 2882573 BI	13/04/2007
		JP 04972323 B2	11/07/2012
		JP 2006-233970 A	07/09/2006
		US 7614845 B2	10/11/2009
		US 2007-0140839 AI	21/06/2007
EP 1798381 A2	20/06/2007		
EP 1798381 A3	27/02/2008		
EP 1798381 BI	30/09/2009		
JP 05080076 B2	21/11/2012		
JP 2007-182874 A	19/07/2007		
US 7597537 B2	06/10/2009		
US 2005-0091984 AI	05/05/2005	CN 1902380 A	24/01/2007
		EP 1751401 A2	14/02/2007
		wo 2005-042928 A2	12/05/2005
		wo 2005-042928 A3	01/09/2005
US 2008-0112798 AI	15/05/2008	CA 2609279 AI	15/05/2008
		EP 1923539 A2	21/05/2008
		JP 04974857 B2	11/07/2012
		JP 2008-121684 A	29/05/2008
		US 7823389 B2	02/11/2010
US 2008-0120841 AI	29/05/2008	CA 2611825 AI	28/05/2008
		EP 1930552 A2	11/06/2008
		EP 1930552 A3	18/12/2013
		JP 2008-133829 A	12/06/2008
		US 7704038 B2	27/04/2010