

(19) World Intellectual Property Organization
International Bureau



(43) International Publication Date
16 February 2006 (16.02.2006)

PCT

(10) International Publication Number
WO 2006/016873 A3

- (51) International Patent Classification: **B66B 23/12**
- (21) International Application Number:
PCT/US2004/022193
- (22) International Filing Date: 8 July 2004 (08.07.2004)
- (25) Filing Language: English
- (26) Publication Language: English
- (71) Applicant (for all designated States except US): **OTIS ELEVATOR COMPANY** [US/US]; Ten Farm Springs Road, Farmington, CT 06032 (US).
- (72) Inventors; and
- (75) Inventors/Applicants (for US only): **JAYACHANDRAN, Vijay** [IN/US]; 169 Vernon Avenue, Apt. 100, Vernon, CT 06066 (US). **ALVES, Goldino** [US/US]; 162 Garnet Lane, South Windsor, CT 06074 (US). **JARVIS, Dave** [US/US]; 114 Woodlawn Street, West Hartford, CT 06110 (US). **SPIELMAN, Fred** [US/US]; 45 Lindell Drive, Somers, CT 06071 (US).
- (74) Agent: **GASKEY, David, J.**; CARLSON, GASKEY & OLDS, 400 W. Maple Rd., Suite 350, Birmingham, MI 48009 (US).

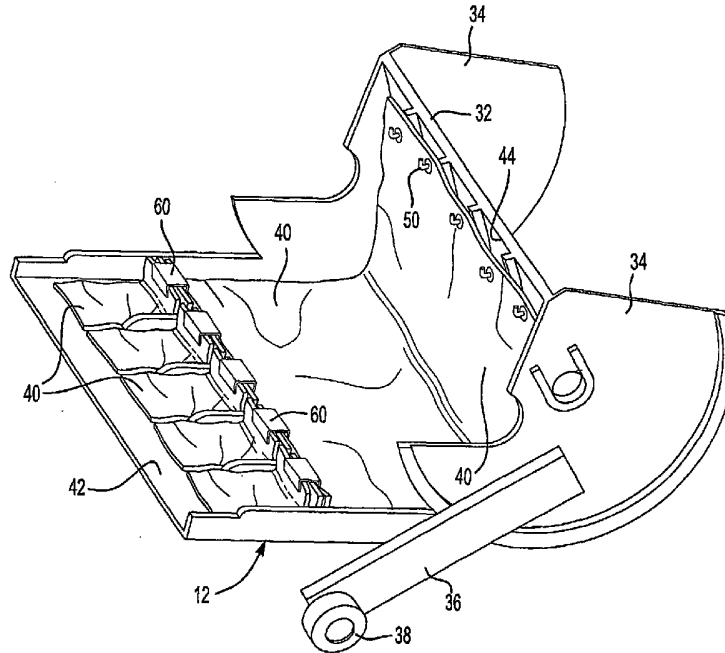
- (81) Designated States (unless otherwise indicated, for every kind of national protection available): AE, AG, AL, AM, AT, AU, AZ, BA, BB, BG, BR, BW, BY, BZ, CA, CH, CN, CO, CR, CU, CZ, DE, DK, DM, DZ, EC, EE, EG, ES, FI, GB, GD, GE, GH, GM, HR, HU, ID, IL, IN, IS, JP, KE, KG, KP, KR, KZ, LC, LK, LR, LS, LT, LU, LV, MA, MD, MG, MK, MN, MW, MX, MZ, NA, NI, NO, NZ, OM, PG, PH, PL, PT, RO, RU, SC, SD, SE, SG, SK, SL, SY, TJ, TM, TN, TR, TT, TZ, UA, UG, US, UZ, VC, VN, YU, ZA, ZM, ZW.
- (84) Designated States (unless otherwise indicated, for every kind of regional protection available): ARIPO (BW, GH, GM, KE, LS, MW, MZ, NA, SD, SL, SZ, TZ, UG, ZM, ZW), Eurasian (AM, AZ, BY, KG, KZ, MD, RU, TJ, TM), European (AT, BE, BG, CH, CY, CZ, DE, DK, EE, ES, FI, FR, GB, GR, HU, IE, IT, LU, MC, NL, PL, PT, RO, SE, SI, SK, TR), OAPI (BF, BJ, CF, CG, CI, CM, GA, GN, GQ, GW, ML, MR, NE, SN, TD, TG).

Declaration under Rule 4.17:
 — of inventorship (Rule 4.17(iv)) for US only

Published:
 — with international search report

[Continued on next page]

(54) Title: PASSENGER CONVEYOR STEP HAVING AN ACOUSTIC BARRIER



(57) Abstract: An escalator step (12) includes a sound barrier material (40) covering over at least a portion of an inner surface (42) of a tread portion (30) and an inner surface (44) of a riser portion (32). In one example, the sound barrier material (40) comprises a sheet of vinyl. The sound barrier material (40) reduces noise radiation from the step (12) toward a cavity (26) within a passenger conveyor support structure (20) and reduces noise emanations from the cavity (26) through the steps (12). Several embodiments for securing the sound barrier material (40) in place are disclosed.

WO 2006/016873 A3



— *before the expiration of the time limit for amending the claims and to be republished in the event of receipt of amendments*

For two-letter codes and other abbreviations, refer to the "Guidance Notes on Codes and Abbreviations" appearing at the beginning of each regular issue of the PCT Gazette.

(88) Date of publication of the international search report:

30 March 2006

INTERNATIONAL SEARCH REPORT

International application No.

PCT/US04/22193

A. CLASSIFICATION OF SUBJECT MATTER
 IPC(7) : B66B 23/12
 US CL : 198/333
 According to International Patent Classification (IPC) or to both national classification and IPC

B. FIELDS SEARCHED
 Minimum documentation searched (classification system followed by classification symbols)
 U.S. : 198/333, 326

Documentation searched other than minimum documentation to the extent that such documents are included in the fields searched
 N/A

Electronic data base consulted during the international search (name of data base and, where practicable, search terms used)
 EAST

C. DOCUMENTS CONSIDERED TO BE RELEVANT

Category *	Citation of document, with indication, where appropriate, of the relevant passages	Relevant to claim No.
A	US 6,241,071 B1 (Yamashita et al.) 05 June 2001, see entire document	1-4, 7, and 8
A	US 5,452,789 A (Wolpers et al.) 26 Sept 1995	1-13
A	US 6,702,094 B2 (Ishikawa et al.) 9 March 2004	1-13
A	US 6,234,295 B1 (Ogawa) 22 May 2001	1-13
A	US 4,519,490 A (White) 28 May 1985	1-13
A	US 5,186,301 A (Rivera) 16 February 1993	9 and 10
A	US 6,585,099 B2 (Babler et al.) 01 July 2003	1-13
A	US 4,858,745 A (Haas et al.) 22 August 1989	1-13
A	US 5,924,544 A (Kwon) 20 July 1999	1-13

Further documents are listed in the continuation of Box C. See patent family annex.

* Special categories of cited documents:	"T" later document published after the international filing date or priority date and not in conflict with the application but cited to understand the principle or theory underlying the invention
"A" document defining the general state of the art which is not considered to be of particular relevance	"X" document of particular relevance; the claimed invention cannot be considered novel or cannot be considered to involve an inventive step when the document is taken alone
"E" earlier application or patent published on or after the international filing date	"Y" document of particular relevance; the claimed invention cannot be considered to involve an inventive step when the document is combined with one or more other such documents, such combination being obvious to a person skilled in the art
"L" document which may throw doubts on priority claim(s) or which is cited to establish the publication date of another citation or other special reason (as specified)	"&" document member of the same patent family
"O" document referring to an oral disclosure, use, exhibition or other means	
"P" document published prior to the international filing date but later than the priority date claimed	

Date of the actual completion of the international search: 28 September 2004 (28.09.2004)
 Date of mailing of the international search report: 02 FEB 2006

Name and mailing address of the ISA/US:
 Mail Stop PCT, Attn: ISA/US
 Commissioner for Patents
 P.O. Box 1450
 Alexandria, Virginia 22313-1450
 Facsimile No. (703) 305-3230

Authorized officer:
 Gene Crawford
 Telephone No. 571-272-3600