



US00D877972S

(12) **United States Design Patent**
Kahawaiolaa

(10) **Patent No.:** **US D877,972 S**

(45) **Date of Patent:** **** Mar. 10, 2020**

- (54) **CIGARETTE PACKAGE**
- (71) Applicant: **Maui Kahawaiolaa**, Honolulu, HI (US)
- (72) Inventor: **Maui Kahawaiolaa**, Honolulu, HI (US)
- (**) Term: **15 Years**
- (21) Appl. No.: **29/667,722**
- (22) Filed: **Oct. 24, 2018**
- (51) **LOC (12) Cl.** **27-01**
- (52) **U.S. Cl.**
USPC **D27/101**
- (58) **Field of Classification Search**
USPC D27/101, 183-194; D9/414-418, 420,
D9/423, 425, 430, 433; 206/242, 245,
206/256, 259-261, 264, 265, 268, 271,
206/273
CPC A24F 47/002; A24F 47/004; A24F 47/006;
A24F 47/008; A61M 15/006
See application file for complete search history.

D770,679	S *	11/2016	Weigensberg	D27/189
D801,801	S *	11/2017	Marchitto	B65D 85/1045
					D9/414
D833,065	S *	11/2018	Alarcon	D27/186
D863,953	S *	10/2019	Schnakenberg	D9/423
2003/0205487	A1 *	11/2003	Lin	A24F 15/18
					206/86
2014/0001066	A1 *	1/2014	Dong	B65D 85/1045
					206/256
2016/0159557	A1 *	6/2016	Kahawaiolaa	B65D 85/1045
					206/268
2017/0001790	A1 *	1/2017	Kahawaiolaa	B65D 85/1045
2019/0002187	A1 *	1/2019	Kahawaiolaa	B65D 85/1045

OTHER PUBLICATIONS

U.S. Appl. No. 29/611,252, Maui Kahawialaa.

* cited by examiner

Primary Examiner — Marissa J Cash
Assistant Examiner — Rebecca Tsehaye
(74) *Attorney, Agent, or Firm* — Ross Brandborg

(57) **CLAIM**

I claim the ornamental design for a cigarette package, as shown and described.

DESCRIPTION

FIG. 1 shows an isometric view of the invention with a partially closed lid.
FIG. 2 shows an isometric view of the invention with an open lid; and,
FIG. 3 shows an isometric view of the invention with an expanded view of the closing sticker and box top.
The broken lines in the drawings depict portions of the cigarette package that form no part of the claimed design.

1 Claim, 3 Drawing Sheets

(56) **References Cited**
U.S. PATENT DOCUMENTS

3,976,194	A *	8/1976	Loredo	A24F 15/18
					206/87
4,961,496	A *	10/1990	Focke	B65D 5/48046
					206/246
6,719,129	B2 *	4/2004	Davis	A24F 15/12
					206/804
7,455,177	B2 *	11/2008	Serafini	B65D 5/4204
					206/265
D591,898	S *	5/2009	McKenzie	D27/187
D591,899	S *	5/2009	Bray	D27/189
D679,178	S *	4/2013	Villiers	D9/420
D690,461	S *	9/2013	Chen	D27/187
D712,091	S *	8/2014	Liu	D27/186
9,232,819	B2 *	1/2016	Damiani	A24D 1/08

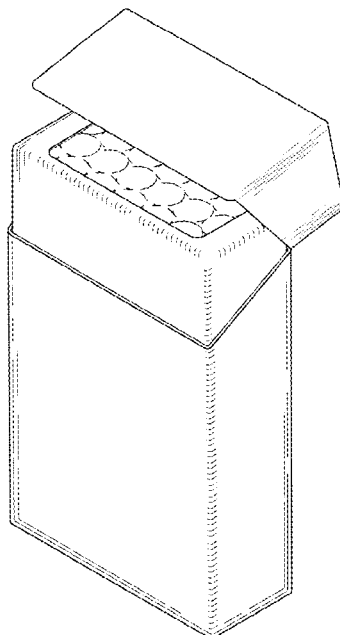


FIG.1

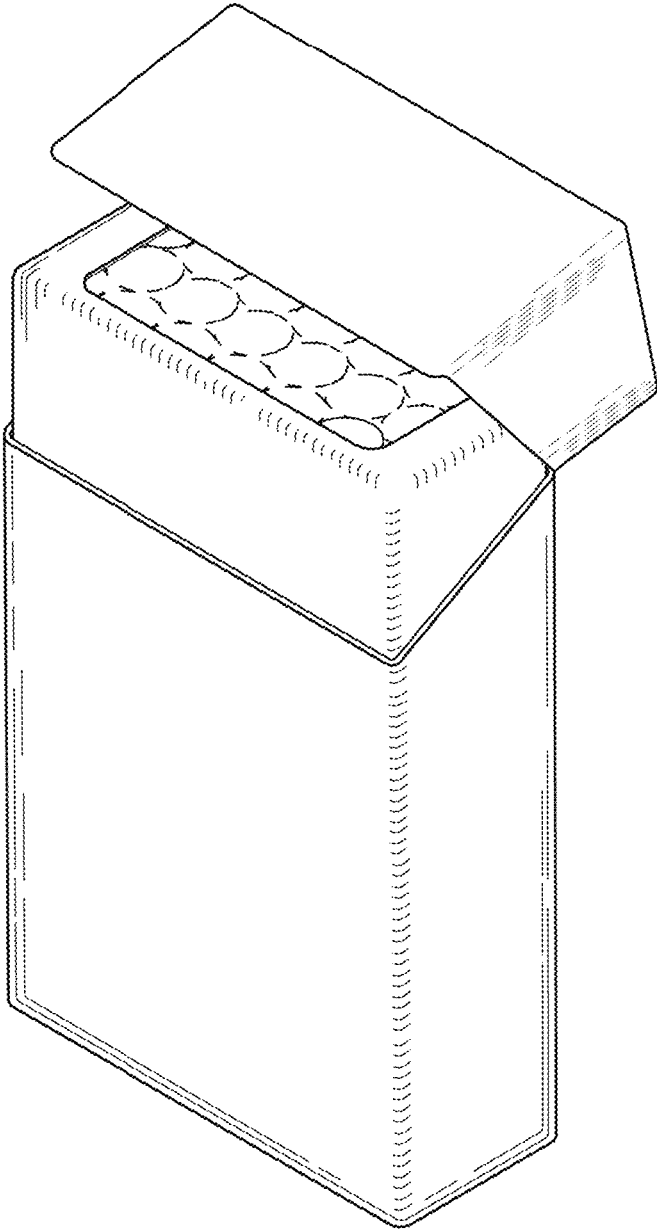


FIG.2

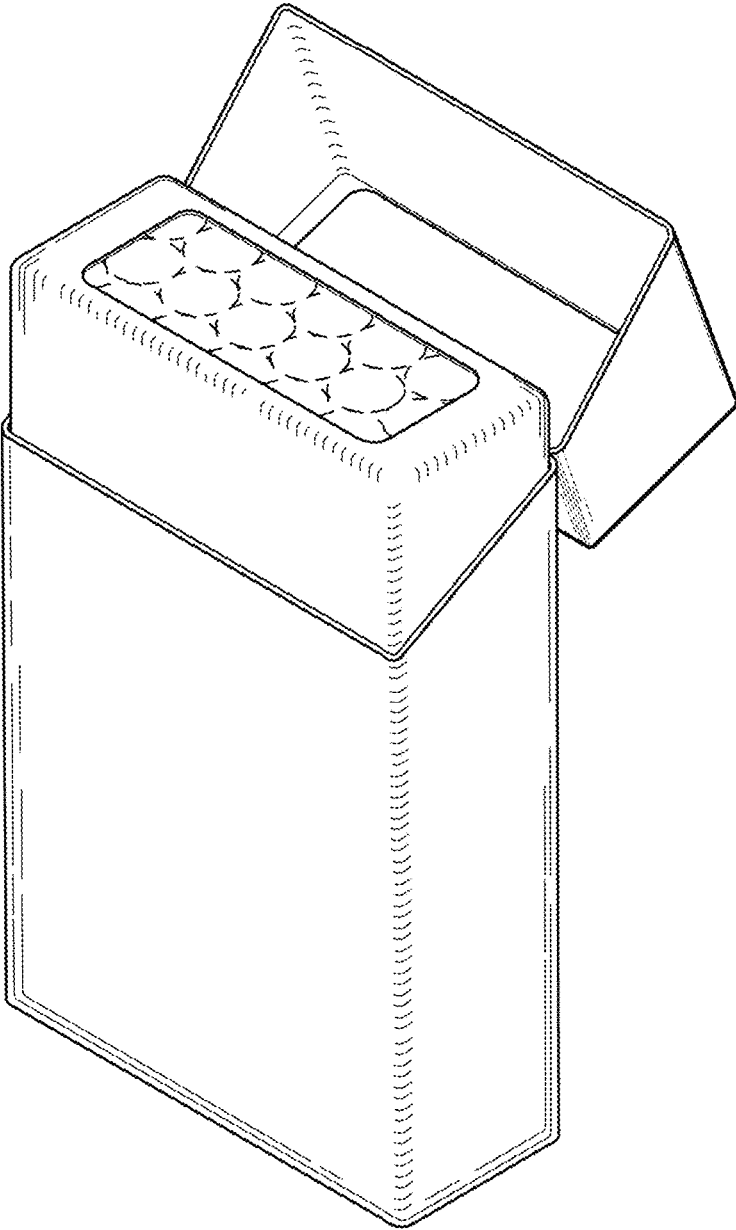


FIG.3

