



(43) International Publication Date
13 December 2012 (13.12.2012)

(51) International Patent Classification:

A61L 2/20 (2006.01) A61L 2/00 (2006.01)
A61L 2/16 (2006.01)

(21) International Application Number:

PCT/IB2012/052756

(22) International Filing Date:

31 May 2012 (31.05.2012)

(25) Filing Language:

English

(26) Publication Language:

English

(30) Priority Data:

61/495,258 9 June 2011 (09.06.2011) US

(71) Applicant (for all designated States except US): **ECOLAB USA INC.** [US/US]; 370 N. Wabasha Street, St. Paul, MN 55102 (US).

(72) Inventors; and

(75) Inventors/Applicants (for US only): **OLSON, Joelle, Francine** [US/US]; 1398 Willow Creek Lane, Shoreview, MN 55126 (US). **SMITH, Kim R.** [US/US]; 8774 Rainier Alcove, Woodbury, MN 55125 (US). **THOMAS, John, E.** [US/US]; 1019 East Hazel Street, River Falls, WI 54022 (US). **SCHULTZ, Andrew, M.** [US/US]; 5933 Columbus Avenue South, Minneapolis, MN 55417 (US).

(74) Agent: **SORENSEN, Andrew, D.**; ECOLAB USA Inc., 655 Lone Oak Drive, Eagan, MN 55121 (US).

(81) Designated States (unless otherwise indicated, for every

kind of national protection available): AE, AG, AL, AM, AO, AT, AU, AZ, BA, BB, BG, BH, BR, BW, BY, BZ, CA, CH, CL, CN, CO, CR, CU, CZ, DE, DK, DM, DO, DZ, EC, EE, EG, ES, FI, GB, GD, GE, GH, GM, GT, HN, HR, HU, ID, IL, IN, IS, JP, KE, KG, KM, KN, KP, KR, KZ, LA, LC, LK, LR, LS, LT, LU, LY, MA, MD, ME, MG, MK, MN, MW, MX, MY, MZ, NA, NG, NI, NO, NZ, OM, PE, PG, PH, PL, PT, QA, RO, RS, RU, RW, SC, SD, SE, SG, SK, SL, SM, ST, SV, SY, TH, TJ, TM, TN, TR, TT, TZ, UA, UG, US, UZ, VC, VN, ZA, ZM, ZW.

(84) Designated States (unless otherwise indicated, for every

kind of regional protection available): ARIPO (BW, GH, GM, KE, LR, LS, MW, MZ, NA, RW, SD, SL, SZ, TZ, UG, ZM, ZW), Eurasian (AM, AZ, BY, KG, KZ, RU, TJ, TM), European (AL, AT, BE, BG, CH, CY, CZ, DE, DK, EE, ES, FI, FR, GB, GR, HR, HU, IE, IS, IT, LT, LU, LV, MC, MK, MT, NL, NO, PL, PT, RO, RS, SE, SI, SK, SM, TR), OAPI (BF, BJ, CF, CG, CI, CM, GA, GN, GQ, GW, ML, MR, NE, SN, TD, TG).

Published:

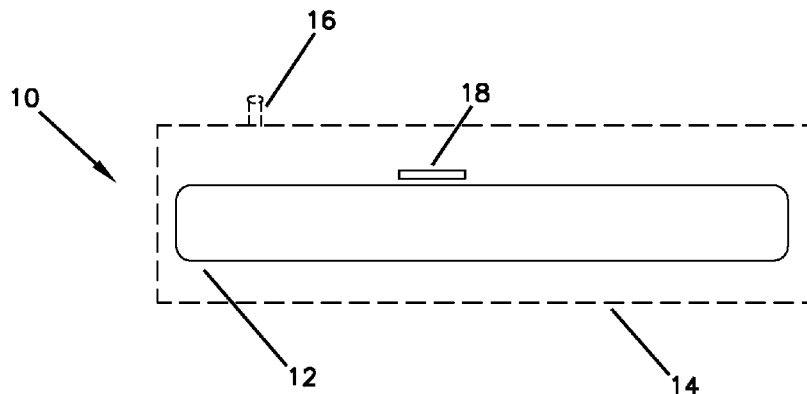
- with international search report (Art. 21(3))
- before the expiration of the time limit for amending the claims and to be republished in the event of receipt of amendments (Rule 48.2(h))

(88) Date of publication of the international search report:

4 April 2013

(54) Title: METHOD OF TREATING ARTICLES WITH CARBON DIOXIDE

FIG. 1



(57) Abstract: The present disclosure relates to treating articles suspected of being infested with bed bugs using carbon dioxide.

A. CLASSIFICATION OF SUBJECT MATTER*A61L 2/20(2006.01)i, A61L 2/16(2006.01)i, A61L 2/00(2006.01)i*

According to International Patent Classification (IPC) or to both national classification and IPC

B. FIELDS SEARCHED

Minimum documentation searched (classification system followed by classification symbols)

A61L 2/20; A01M 1/20; A01M 1/02; A01M 1/10; A01M 13/00; A01M 1/00; A01N 25/00

Documentation searched other than minimum documentation to the extent that such documents are included in the fields searched

Korean utility models and applications for utility models

Japanese utility models and applications for utility models

Electronic data base consulted during the international search (name of data base and, where practicable, search terms used)

eKOMPASS(KIPO internal) & Keywords: carbon dioxide, bed bug, infest, sealing, enclosure, kit.

C. DOCUMENTS CONSIDERED TO BE RELEVANT

Category*	Citation of document, with indication, where appropriate, of the relevant passages	Relevant to claim No.
A	US 2011-0113674 A1 (LEVY, DAVID H.) 19 May 2011 See abstract; paragraphs [0059]-[0066]; claims 1-54; Figures 1-2.	1-17
A	US 2009-0313883 A1 (OLSON, JOELLE F. et al.) 24 December 2009 See abstract; paragraphs [0007]-[0014], [0016]-[0040]; claims 1-25; Figure 1.	1-17
A	ANDERSON, J. F. et al., "A carbon dioxide, heat and chemical lure trap for the bedbug, Cimex lectularius", Medical and Veterinary Entomology 2009, Vol. 23, pages 99-105. (23 February 2009) See the whole document.	1-17
A	US 2009-0145020 A1 (MCKNIGHT, SUSAN) 11 June 2009 See abstract; paragraphs [0015]-[0019],[0028]-[0056]; claims 1-25; Figures 1-4.	1-17
A	US 2009-0145019 A1 (NOLEN, JAMES et al.) 11 June 2009 See abstract; paragraphs [0013]-[0017], [0031]-[0042]; claims 1-45; Figures 1-4.	1-17

 Further documents are listed in the continuation of Box C. See patent family annex.

* Special categories of cited documents:

"A" document defining the general state of the art which is not considered to be of particular relevance

"E" earlier application or patent but published on or after the international filing date

"L" document which may throw doubts on priority claim(s) or which is cited to establish the publication date of citation or other special reason (as specified)

"O" document referring to an oral disclosure, use, exhibition or other means

"P" document published prior to the international filing date but later than the priority date claimed

"T" later document published after the international filing date or priority date and not in conflict with the application but cited to understand the principle or theory underlying the invention

"X" document of particular relevance; the claimed invention cannot be considered novel or cannot be considered to involve an inventive step when the document is taken alone

"Y" document of particular relevance; the claimed invention cannot be considered to involve an inventive step when the document is combined with one or more other such documents, such combination being obvious to a person skilled in the art

"&" document member of the same patent family

Date of the actual completion of the international search

28 JANUARY 2013 (28.01.2013)

Date of mailing of the international search report

29 JANUARY 2013 (29.01.2013)

Name and mailing address of the ISA/KR

Korean Intellectual Property Office
189 Cheongsu-ro, Seo-gu, Daejeon Metropolitan
City, 302-701, Republic of Korea

Facsimile No. 82-42-472-7140

Authorized officer

KIM, Dongseok

Telephone No. 82-42-481-8647



INTERNATIONAL SEARCH REPORT

Information on patent family members

International application No.

PCT/IB2012/052756

Patent document cited in search report	Publication date	Patent family member(s)	Publication date
US 2011-0113674 A1	19.05.2011	None	
US 2009-0313883 A1	24.12.2009	WO 2009-153758 A2 WO 2009-153758 A3	23.12.2009 08.04.2010
US 2009-0145020 A1	11.06.2009	AU 2008-335819 A1 AU 2008-335819 B2 CA 2707490 A1 CA 2767322 A1 GB 201010414 D0 GB 2469400 A WO 2009-075792 A2 WO 2009-075792 A3	18.06.2009 04.08.2011 18.06.2009 18.06.2009 04.08.2010 13.10.2010 18.06.2009 17.09.2009
US 2009-0145019 A1	11.06.2009	WO 2009-075839 A1	18.06.2009