



- (51) International Patent Classification:
H01B 1/24 (2006.01)
- (21) International Application Number:
PCT/US2012/059650
- (22) International Filing Date:
11 October 2012 (11.10.2012)
- (25) Filing Language: English
- (26) Publication Language: English
- (30) Priority Data:
13/272,527 13 October 2011 (13.10.2011) US
- (71) Applicant (for all designated States except US): **FLEXCON COMPANY, INC.** [US/US]; 1 FLEXcon Industrial Park, Spencer, MA 01562 (US).
- (72) Inventors; and
- (71) Applicants (for US only): **BURNHAM, Kenneth** [US/US]; 32 Keyes Street, Warren, MA 01083 (US). **SKOV, Richard** [US/US]; 18 William Casey Road, Spencer, MA 01562 (US).
- (74) Agents: **HILTON, William, E.** et al.; Gesmer Updegrove LLP, 40 Broad Street, Boston, MA 02109 (US).
- (81) Designated States (unless otherwise indicated, for every kind of national protection available): AE, AG, AL, AM, AO, AT, AU, AZ, BA, BB, BG, BH, BN, BR, BW, BY, BZ, CA, CH, CL, CN, CO, CR, CU, CZ, DE, DK, DM, DO, DZ, EC, EE, EG, ES, FI, GB, GD, GE, GH, GM, GT, HN, HR, HU, ID, IL, IN, IS, JP, KE, KG, KM, KN, KP, KR, KZ, LA, LC, LK, LR, LS, LT, LU, LY, MA, MD, ME, MG, MK, MN, MW, MX, MY, MZ, NA, NG, NI, NO, NZ, OM, PA, PE, PG, PH, PL, PT, QA, RO, RS, RU, RW, SC, SD, SE, SG, SK, SL, SM, ST, SV, SY, TH, TJ, TM, TN, TR, TT, TZ, UA, UG, US, UZ, VC, VN, ZA, ZM, ZW.
- (84) Designated States (unless otherwise indicated, for every kind of regional protection available): ARIPO (BW, GH, GM, KE, LR, LS, MW, MZ, NA, RW, SD, SL, SZ, TZ, UG, ZM, ZW), Eurasian (AM, AZ, BY, KG, KZ, RU, TJ, TM), European (AL, AT, BE, BG, CH, CY, CZ, DE, DK, EE, ES, FI, FR, GB, GR, HR, HU, IE, IS, IT, LT, LU, LV, MC, MK, MT, NL, NO, PL, PT, RO, RS, SE, SI, SK, SM,

[Continued on next page]

(54) Title: ELECTRICALLY CONDUCTIVE MATERIALS FORMED BY ELECTROPHORESIS

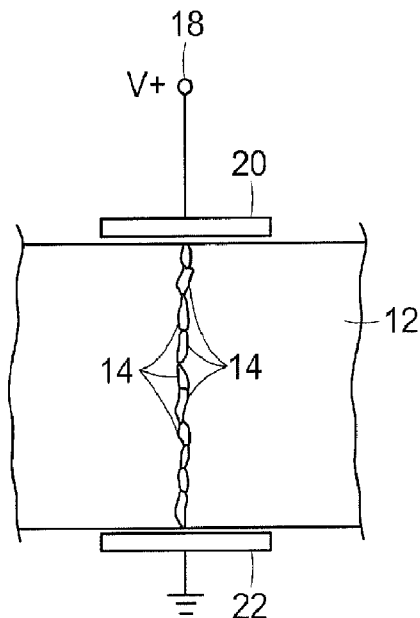


FIG. 2

(57) Abstract: A method of forming an electrically conductive composite is disclosed that includes the steps of providing a first dielectric material and a second conductive material that is substantially dispersed within the first dielectric material; and applying an electric field through at least a portion of the combined first dielectric material and second conductive material such that the second conductive material undergoes electrophoresis and forms at least one electrically conductive path through the electrically conductive composite along the direction of the applied electric field.





TR), OAPI (BF, BJ, CF, CG, CI, CM, GA, GN, GQ, GW, ML, MR, NE, SN, TD, TG).

— before the expiration of the time limit for amending the claims and to be republished in the event of receipt of amendments (Rule 48.2(h))

Published:

— with international search report (Art. 21(3))

(88) Date of publication of the international search report:

10 April 2014

INTERNATIONAL SEARCH REPORT

International application No
PCT/US2012/059650

A. CLASSIFICATION OF SUBJECT MATTER
INV. H01B1/24
ADD.

According to International Patent Classification (IPC) or to both national classification and IPC

B. FIELDS SEARCHED
Minimum documentation searched (classification system followed by classification symbols)
H01B

Documentation searched other than minimum documentation to the extent that such documents are included in the fields searched

Electronic data base consulted during the international search (name of data base and, where practicable, search terms used)
EPO-Internal, WPI Data

C. DOCUMENTS CONSIDERED TO BE RELEVANT

Category*	Citation of document, with indication, where appropriate, of the relevant passages	Relevant to claim No.
X	NO 20 092 381 A (INST ENERGITEKNIK [NO] CONDALIGN AS [NO]) 23 December 2010 (2010-12-23) page 4, line 7 - line 28 figures 5,10 claims 1,3 & US 2012/224285 A1 (SVASAND ELDRID [CL] ET AL) 6 September 2012 (2012-09-06) -----	1-20
X	US 2009/038832 A1 (CHAFFINS STERLING [US] ET AL) 12 February 2009 (2009-02-12) example 1 figure 3 claims 1,15 ----- -/--	1-20

Further documents are listed in the continuation of Box C.

See patent family annex.

* Special categories of cited documents :

"A" document defining the general state of the art which is not considered to be of particular relevance	"T" later document published after the international filing date or priority date and not in conflict with the application but cited to understand the principle or theory underlying the invention
"E" earlier application or patent but published on or after the international filing date	"X" document of particular relevance; the claimed invention cannot be considered novel or cannot be considered to involve an inventive step when the document is taken alone
"L" document which may throw doubts on priority claim(s) or which is cited to establish the publication date of another citation or other special reason (as specified)	"Y" document of particular relevance; the claimed invention cannot be considered to involve an inventive step when the document is combined with one or more other such documents, such combination being obvious to a person skilled in the art
"O" document referring to an oral disclosure, use, exhibition or other means	"&" document member of the same patent family
"P" document published prior to the international filing date but later than the priority date claimed	

Date of the actual completion of the international search 14 February 2014	Date of mailing of the international search report 25/02/2014
---	--

Name and mailing address of the ISA/ European Patent Office, P.B. 5818 Patentlaan 2 NL - 2280 HV Rijswijk Tel. (+31-70) 340-2040, Fax: (+31-70) 340-3016	Authorized officer Le Hervet, Morgan
--	---

INTERNATIONAL SEARCH REPORT

International application No
PCT/US2012/059650

C(Continuation). DOCUMENTS CONSIDERED TO BE RELEVANT		
Category*	Citation of document, with indication, where appropriate, of the relevant passages	Relevant to claim No.
X	US 4 170 677 A (HUTCHESON EDWARD T [US]) 9 October 1979 (1979-10-09) column 2, line 52 - line 55 figure 2 claim 1	1-20
X	----- US 2007/035808 A1 (AMUNDSON KARL R [US] ET AL) 15 February 2007 (2007-02-15) paragraph [0200] - paragraph [0209] claim 1	1,2, 5-12, 15-20
X	----- US 2003/102154 A1 (HABA BELGACEM [US]) 5 June 2003 (2003-06-05) paragraph [0037] - paragraph [0046] figures 6A,8B claim 1	1,2, 5-12, 15-20
A	----- US 4 548 862 A (HARTMAN RICHARD B [US]) 22 October 1985 (1985-10-22) the whole document	1-20
A	----- Ronald E Allred ET AL: "Surface Modification of Exfoliated Graphite Nano-Reinforcements", Proc. 38 th SAMPE Tech. Conf, 2006, pages 1-14, XP055102062, Retrieved from the Internet: URL: http://www.adherent-tech.com/publications/display_publication/76 [retrieved on 2014-02-13] 1. INTRODUCTION	7,17

INTERNATIONAL SEARCH REPORT

Information on patent family members

International application No

PCT/US2012/059650

Patent document cited in search report	Publication date	Patent family member(s)	Publication date	
NO 20092381	A	23-12-2010	AU 2010263367 A1	02-02-2012
			AU 2010263374 A1	02-02-2012
			CN 102483969 A	30-05-2012
			CN 102483970 A	30-05-2012
			EP 2446447 A1	02-05-2012
			EP 2446448 A1	02-05-2012
			EP 2446721 A1	02-05-2012
			JP 2012531026 A	06-12-2012
			JP 2012531060 A	06-12-2012
			KR 20120052938 A	24-05-2012
			KR 20120101627 A	14-09-2012
			NO 333507 B1	24-06-2013
			SG 177314 A1	28-02-2012
			SG 177315 A1	28-02-2012
			US 2012224285 A1	06-09-2012
			US 2012231178 A1	13-09-2012
			US 2012240992 A1	27-09-2012
			WO 2010151141 A1	29-12-2010
			WO 2010151142 A1	29-12-2010
			WO 2010151148 A1	29-12-2010

US 2009038832	A1	12-02-2009	US 2009038832 A1	12-02-2009
			WO 2009023584 A2	19-02-2009

US 4170677	A	09-10-1979	NONE	

US 2007035808	A1	15-02-2007	US 2007035808 A1	15-02-2007
			US 2009225397 A1	10-09-2009

US 2003102154	A1	05-06-2003	US 6190509 B1	20-02-2001
			US 6518091 B1	11-02-2003
			US 2003102154 A1	05-06-2003

US 4548862	A	22-10-1985	AU 573363 B2	02-06-1988
			AU 4508685 A	13-03-1986
			BR 8504037 A	10-06-1986
			CA 1237176 A1	24-05-1988
			DE 3576604 D1	19-04-1990
			EP 0174777 A2	19-03-1986
			ES 294516 U	01-11-1986
			ES 8700804 A1	16-01-1987
			HK 77590 A	05-10-1990
			IE 58447 B1	22-09-1993
			JP S6166310 A	05-04-1986
			US 4548862 A	22-10-1985
