

(19) World Intellectual Property Organization  
International Bureau



(43) International Publication Date  
21 February 2002 (21.02.2002)

PCT

(10) International Publication Number  
WO 02/15015 A3

(51) International Patent Classification<sup>7</sup>: G06F 13/30, 13/28

(74) Agents: BRADEN, Stanton, C. et al.; Siemens Corporation, Intellectual Property Dept., 186 Wood Ave. South, Iselin, NJ 08830 (US).

(21) International Application Number: PCT/US01/24205

(81) Designated States (national): CN, JP, KR.

(22) International Filing Date: 2 August 2001 (02.08.2001)

(84) Designated States (regional): European patent (AT, BE, CH, CY, DE, DK, ES, FI, FR, GB, GR, IE, IT, LU, MC, NL, PT, SE, TR).

(25) Filing Language: English

(26) Publication Language: English

(30) Priority Data:  
09/637,334 10 August 2000 (10.08.2000) US

Published:  
— with international search report

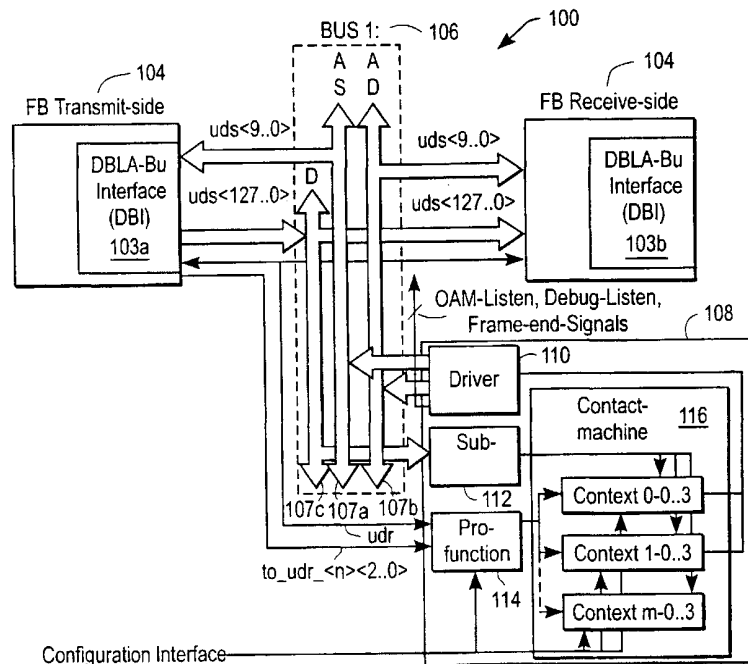
(71) Applicant: INFINEON TECHNOLOGIES NORTH AMERICA CORP. [US/US]; 1730 North First Street, San Jose, CA 95112-4508 (US).

(88) Date of publication of the international search report:  
2 May 2002

(72) Inventor: HAGEN, Gunnr: 444 Saratoga Avenue, Apt. 18K, Santa Clara, CA 95050 (US).

For two-letter codes and other abbreviations, refer to the "Guidance Notes on Codes and Abbreviations" appearing at the beginning of each regular issue of the PCT Gazette.

(54) Title: INTERLEAVEMENT FOR TRANSPORT OF FRAMES AND CELLS



(57) Abstract: A DMA system includes a plurality of transmit-recv pairs (102, 104) for communicating on a bus. A DMA controller (108) supervises bus handling. The DMA controller (108) includes a priority controller (114), a bus sniffer (112), and a context machine (116). The bus sniffer (112) and context machine (116) identify block transfers as frame or cell transfers and supervise interleaving. The priority controller (114) resolves the priority of each of the constituent transfers of the frame or cell block transfers using a matrix of priority tokens.



WO 02/15015 A3

INTERNATIONAL SEARCH REPORT

International Application No

PCT/US 01/24205

A. CLASSIFICATION OF SUBJECT MATTER  
 IPC 7 G06F13/30 G06F13/28

According to International Patent Classification (IPC) or to both national classification and IPC

B. FIELDS SEARCHED

Minimum documentation searched (classification system followed by classification symbols)

IPC 7 G06F

Documentation searched other than minimum documentation to the extent that such documents are included in the fields searched

Electronic data base consulted during the international search (name of data base and, where practical, search terms used)

EPO-Internal, WPI Data, PAJ, INSPEC, COMPENDEX

C. DOCUMENTS CONSIDERED TO BE RELEVANT

Category *	Citation of document, with indication, where appropriate, of the relevant passages	Relevant to claim No.
A	US 5 659 749 A (MITCHELL BOB ET AL) 19 August 1997 (1997-08-19) column 2, line 9 - line 51 ---	1-20
A	EP 0 550 164 A (SUN MICROSYSTEMS INC) 7 July 1993 (1993-07-07) column 3, line 7 - line 31 claims 1,2,6,7 ---	1-20
P,A	EP 1 059 588 A (TEXAS INSTRUMENTS INC) 13 December 2000 (2000-12-13) page 2, line 18 - line 42 page 3, line 45 - line 48 page 5, line 30 - line 32 page 5, line 50 - line 51 page 8, line 13 - line 29 page 16, line 36 - line 39 claims 1-3 --- -/--	1-20

Further documents are listed in the continuation of box C.

Patent family members are listed in annex.

\* Special categories of cited documents:

\*A\* document defining the general state of the art which is not considered to be of particular relevance

\*E\* earlier document but published on or after the international filing date

\*L\* document which may throw doubts on priority claim(s) or which is cited to establish the publication date of another citation or other special reason (as specified)

\*O\* document referring to an oral disclosure, use, exhibition or other means

\*P\* document published prior to the international filing date but later than the priority date claimed

\*T\* later document published after the international filing date or priority date and not in conflict with the application but cited to understand the principle or theory underlying the invention

\*X\* document of particular relevance; the claimed invention cannot be considered novel or cannot be considered to involve an inventive step when the document is taken alone

\*Y\* document of particular relevance; the claimed invention cannot be considered to involve an inventive step when the document is combined with one or more other such documents, such combination being obvious to a person skilled in the art.

\*&\* document member of the same patent family

Date of the actual completion of the international search

25 January 2002

Date of mailing of the international search report

05/02/2002

Name and mailing address of the ISA

European Patent Office, P.B. 5818 Patentlaan 2  
 NL - 2280 HV Rijswijk  
 Tel. (+31-70) 340-2040, Tx. 31 651 epo nl,  
 Fax: (+31-70) 340-3016

Authorized officer

Henneman, P

INTERNATIONAL SEARCH REPORT

International Application No  
PCT/US 01/24205

C.(Continuation) DOCUMENTS CONSIDERED TO BE RELEVANT		
Category *	Citation of document, with indication, where appropriate, of the relevant passages	Relevant to claim No.
P, A	US 6 115 373 A (LEA CHIN TAU) 5 September 2000 (2000-09-05) the whole document -----	1-20

# INTERNATIONAL SEARCH REPORT

Information on patent family members

International Application No

PCT/US 01/24205

Patent document cited in search report	Publication date	Publication date	Patent family member(s)	Publication date
US 5659749	A	19-08-1997	NONE	
EP 0550164	A	07-07-1993	US 5388237 A	07-02-1995
			DE 69225463 D1	18-06-1998
			DE 69225463 T2	24-12-1998
			EP 0550164 A1	07-07-1993
			JP 6266650 A	22-09-1994
			KR 9606503 B1	16-05-1996
EP 1059588	A	13-12-2000	EP 1059588 A1	13-12-2000
US 6115373	A	05-09-2000	NONE	