

[54] **PORTABLE DETACHABLE STEP FOR MOUNTING ON BUMPERS OF VEHICLES**

[75] Inventor: **Mark T. Mitchell**, Scottsdale, Ariz.

[73] Assignee: **Marco Mfg., Inc.**, Scottsdale, Ariz.

[\*\*] Term: **14 Years**

[21] Appl. No.: **119,589**

[22] Filed: **Feb. 7, 1980**

[51] Int. Cl. .... **D12-16**

[52] U.S. Cl. .... **D12/203; D25/62; D25/69**

[58] **Field of Search** ..... **D25/62, 63, 65, 68, D25/69; D12/203; 280/166, 291, 163, 164 R, 164 A**

[56] **References Cited**

**U.S. PATENT DOCUMENTS**

- D. 24,742 10/1895 Hummel ..... D12/203
- 1,373,366 3/1921 Stanwood ..... D12/203 X

- 3,329,443 7/1967 Lowder et al. .... 280/166
- 3,734,534 5/1973 Brooks et al. .... 280/163
- 3,980,319 9/1976 Kirkpatrick ..... 280/166

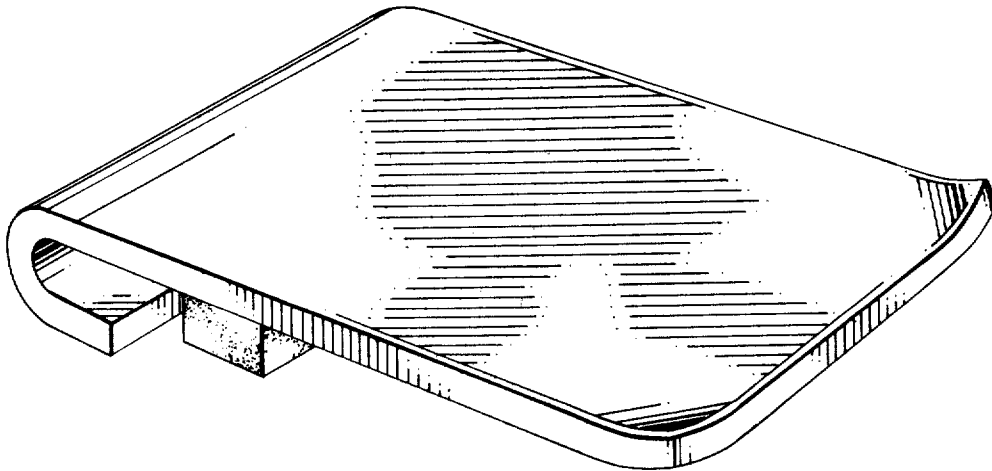
*Primary Examiner*—A. Hugo Word  
*Attorney, Agent, or Firm*—Warren F. B. Lindsley

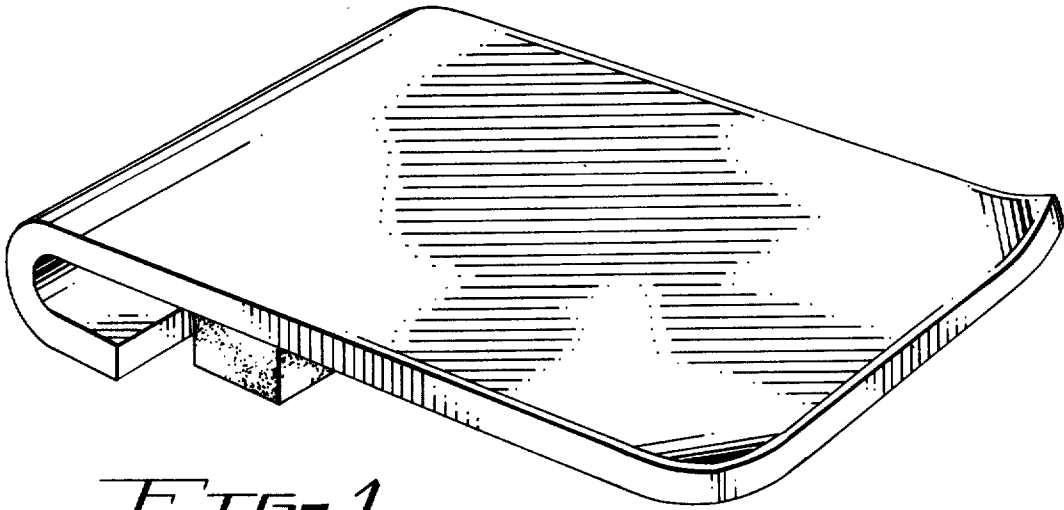
[57] **CLAIM**

The ornamental design for the portable detachable step for mounting on bumpers of vehicles, as shown and described.

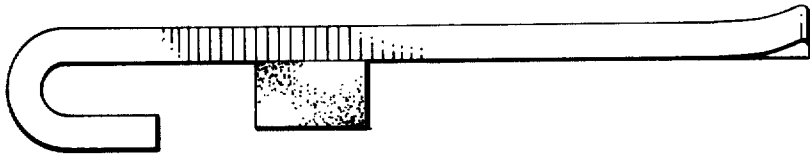
**DESCRIPTION**

FIG. 1 is a perspective view of the top end and one side of the portable detachable step for mounting on bumpers of vehicles embodying the invention;  
 FIG. 2 is a perspective view of the same end, side and bottom of the step shown in FIG. 1;  
 FIG. 3 is a view of the other side of the step shown in FIG. 1;  
 FIG. 4 is a view of the other end of the step shown in FIG. 1; and  
 FIG. 5 is a right end view of the step shown in FIG. 1.





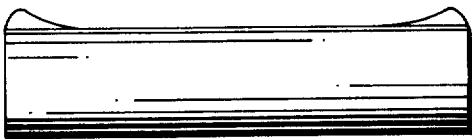
*FIG. 1*



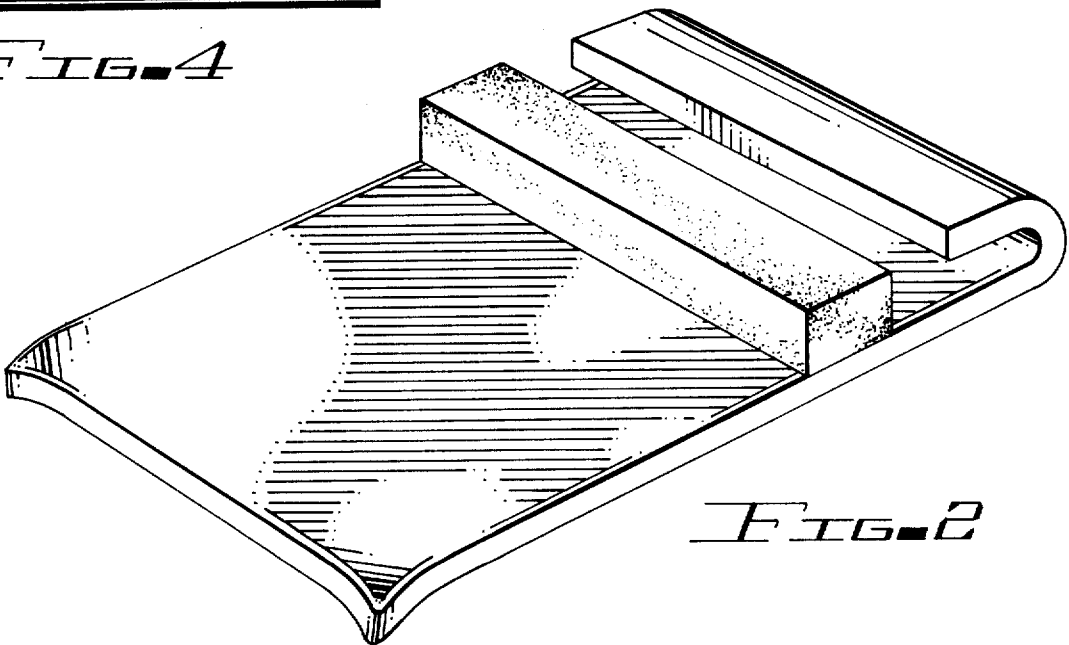
*FIG. 3*



*FIG. 5*



*FIG. 4*



*FIG. 2*