



US00D797488S

(12) **United States Design Patent**  
**Silsby et al.**

(10) **Patent No.:** **US D797,488 S**

(45) **Date of Patent:** **\*\* Sep. 19, 2017**

- (54) **PERCOLATOR**
- (71) Applicant: **Pacific Market International, LLC**,  
Seattle, WA (US)
- (72) Inventors: **Jacob D. Silsby**, Seattle, WA (US);  
**Evan Michael Choltco-Devlin**,  
Ellensburg, WA (US)
- (73) Assignee: **PACIFIC MARKET**  
**INTERNATIONAL, LLC**, Seattle, WA  
(US)

4,967,939	A *	11/1990	Taylor	.....	A47J 43/27
					222/196
4,993,603	A *	2/1991	Polhemus	.....	B65D 51/02
					222/472
D395,784	S *	7/1998	Michaeli	.....	D7/318
D398,474	S *	9/1998	Wagner	.....	D7/305
6,394,322	B1 *	5/2002	Sekiya	.....	A47G 19/12
					222/465.1
D560,951	S *	2/2008	Appleton	.....	D7/317
D584,559	S *	1/2009	Bodum	.....	D7/317
D622,090	S *	8/2010	Bodum	.....	D7/317
D663,155	S *	7/2012	Bodum	.....	D7/317

(Continued)

(\*\*) Term: **15 Years**

(21) Appl. No.: **29/568,818**

(22) Filed: **Jun. 21, 2016**

(51) **LOC (10) Cl.** ..... **07-01**

(52) **U.S. Cl.**  
USPC ..... **D7/319; D7/317**

(58) **Field of Classification Search**  
USPC ..... D7/316, 317, 318, 319, 303, 302, 312,  
D7/322, 321, 600, 397; D10/46.2;  
D9/524, 526, 527; 222/573; D23/212,  
D23/211.2, 207, 209  
CPC ..... B65D 23/06; B65D 47/06; B67D 1/16;  
A47G 19/00; A47G 19/12; A47J 31/20;  
B01D 35/00

See application file for complete search history.

(56) **References Cited**

**U.S. PATENT DOCUMENTS**

D144,354	S *	4/1946	Cadie	.....	D7/317
D220,773	S *	5/1971	Dilyard	.....	D7/317
D255,531	S *	6/1980	Daenen	.....	D10/46.2
4,776,956	A *	10/1988	Gannaway	.....	B01D 35/027
					210/282
D306,547	S *	3/1990	Wolfenden	.....	D7/317
4,907,719	A *	3/1990	Spotholz	.....	A47G 19/12
					220/216

**OTHER PUBLICATIONS**

“GSI Glacier Stainless Stovetop Percolator,” © 2015 GSI Outdoors, <<http://www.gsioutdoors.com/glacier-stainless-12-cup-perc-w-silicone-handle.html>>, [retrieved Sep. 13, 2016], 5 pages. GSI product offered for sale prior to the application filing date of Jun. 21, 2016.

*Primary Examiner* — Marianne Pandozzi  
(74) *Attorney, Agent, or Firm* — George C. Rondeau, Jr.;  
Davis Wright Tremaine LLP

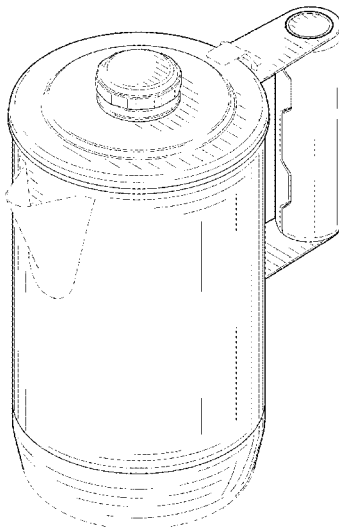
(57) **CLAIM**

The ornamental design for a percolator, as shown and described.

**DESCRIPTION**

FIG. 1 is a top perspective view of a percolator showing our new design.  
FIG. 2 is a bottom perspective view thereof.  
FIG. 3 is a right side elevational view thereof.  
FIG. 4 is a front elevational view thereof.  
FIG. 5 is a top plan view thereof.  
FIG. 6 is a left side elevational view thereof.  
FIG. 7 is a rear elevational view thereof; and,  
FIG. 8 is a bottom plan view thereof.  
The broken lines in the drawing depict portions of the percolator that form no part of the claimed design.

**1 Claim, 8 Drawing Sheets**



(56)

**References Cited**

U.S. PATENT DOCUMENTS

D691,409	S	*	10/2013	Dichraff	.....	D7/317
D691,410	S	*	10/2013	Dichraff	.....	D7/317
D703,479	S	*	4/2014	Norland	.....	D7/376
D715,586	S	*	10/2014	Katterheinrich	.....	D7/317
D763,042	S	*	8/2016	Shao	.....	D7/517

\* cited by examiner

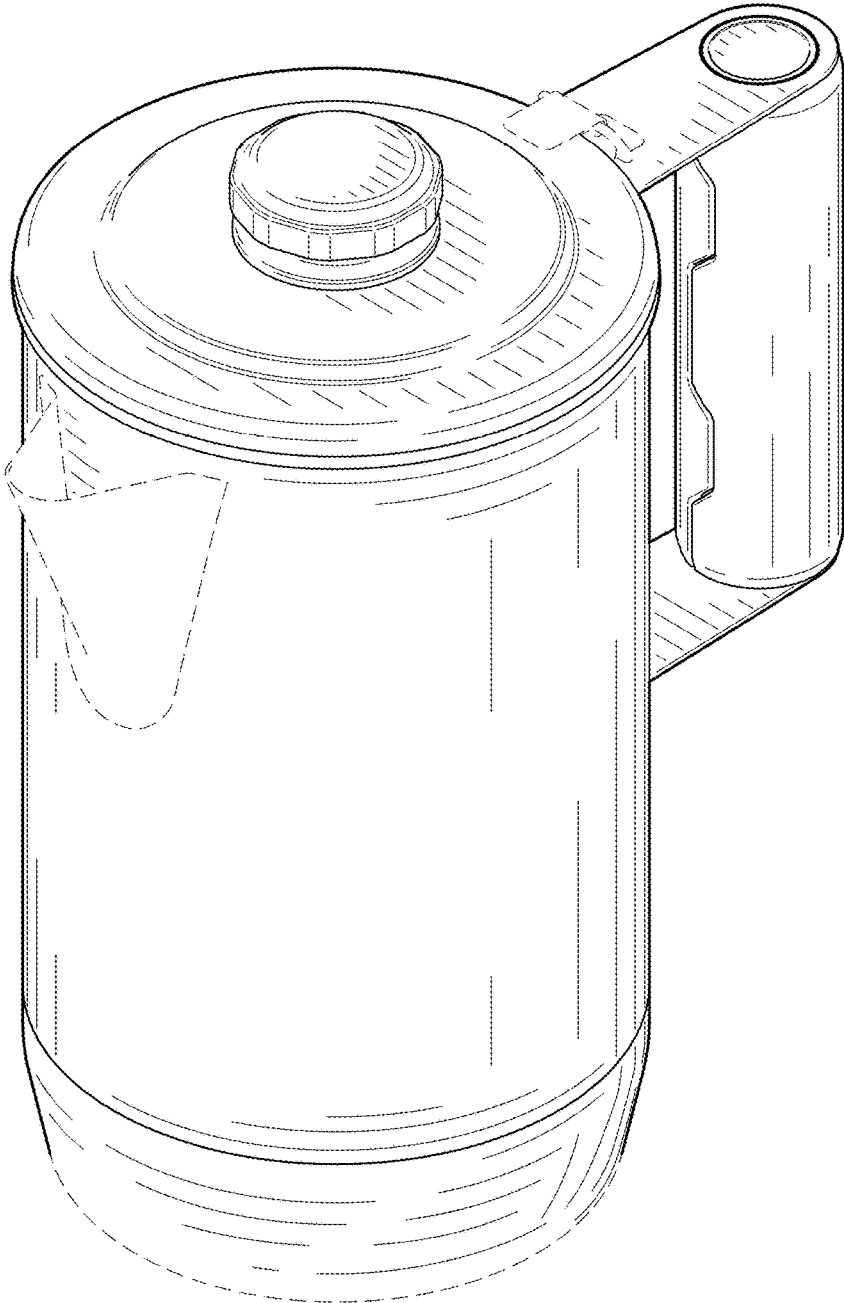


FIG. 1

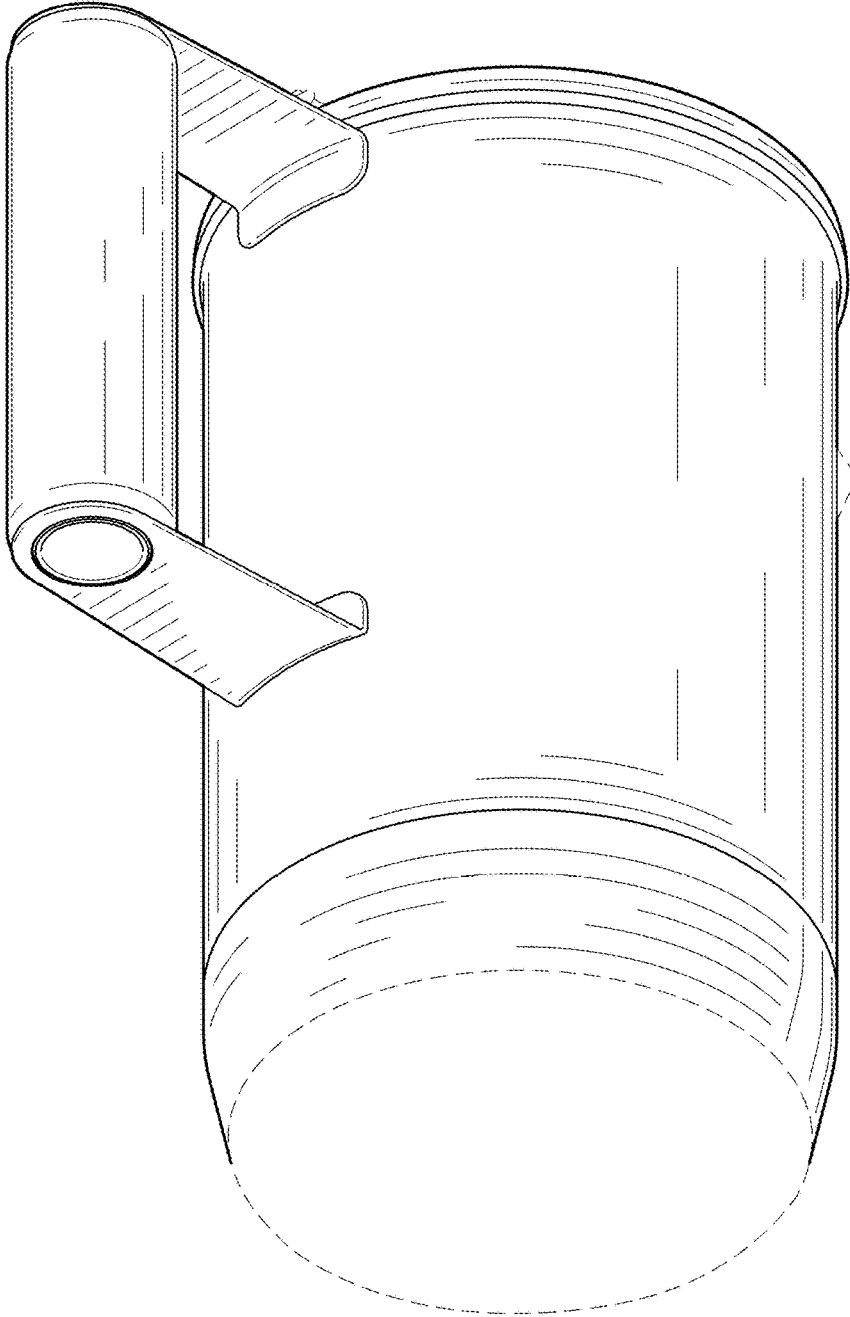


FIG. 2

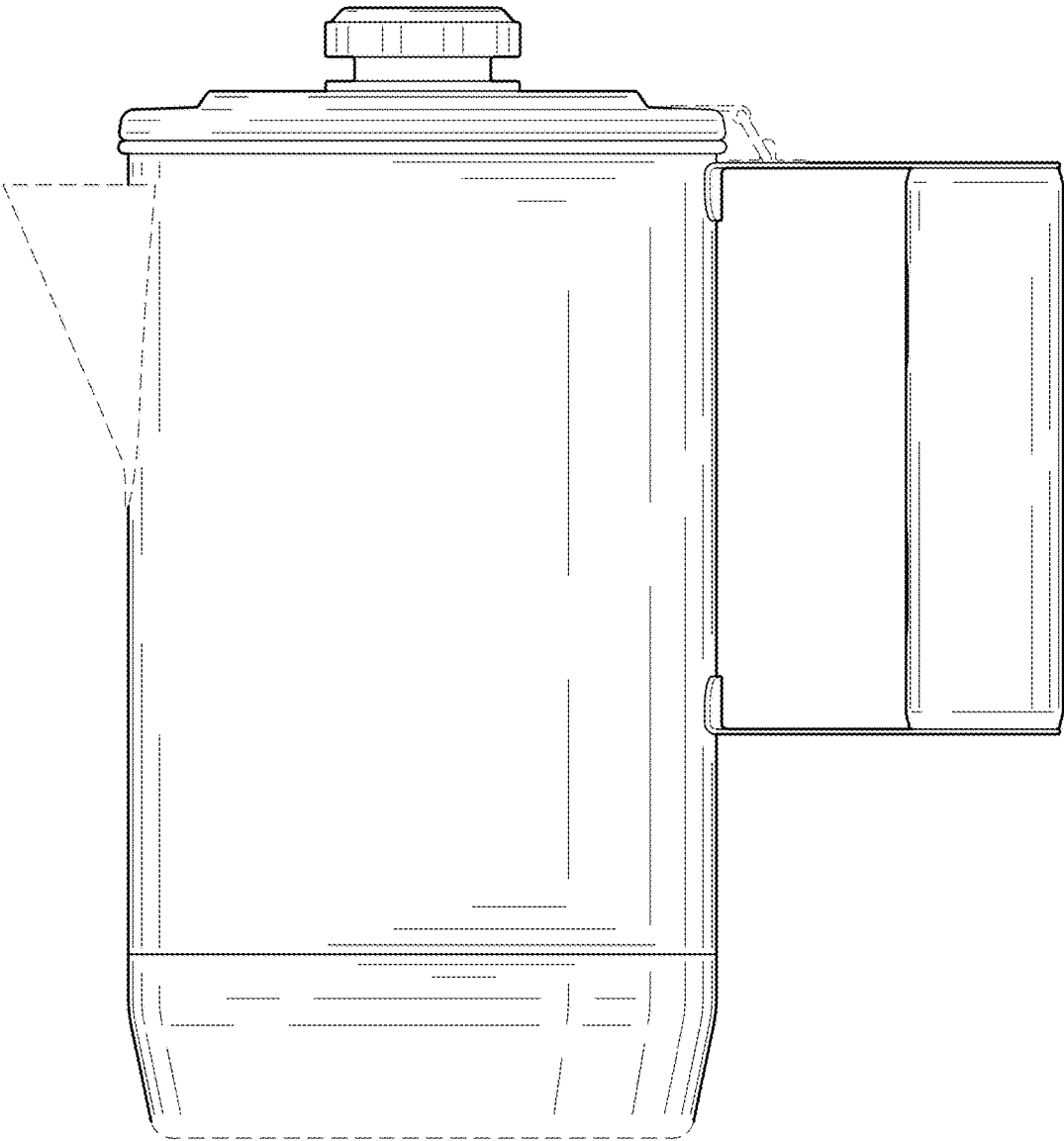


FIG. 3

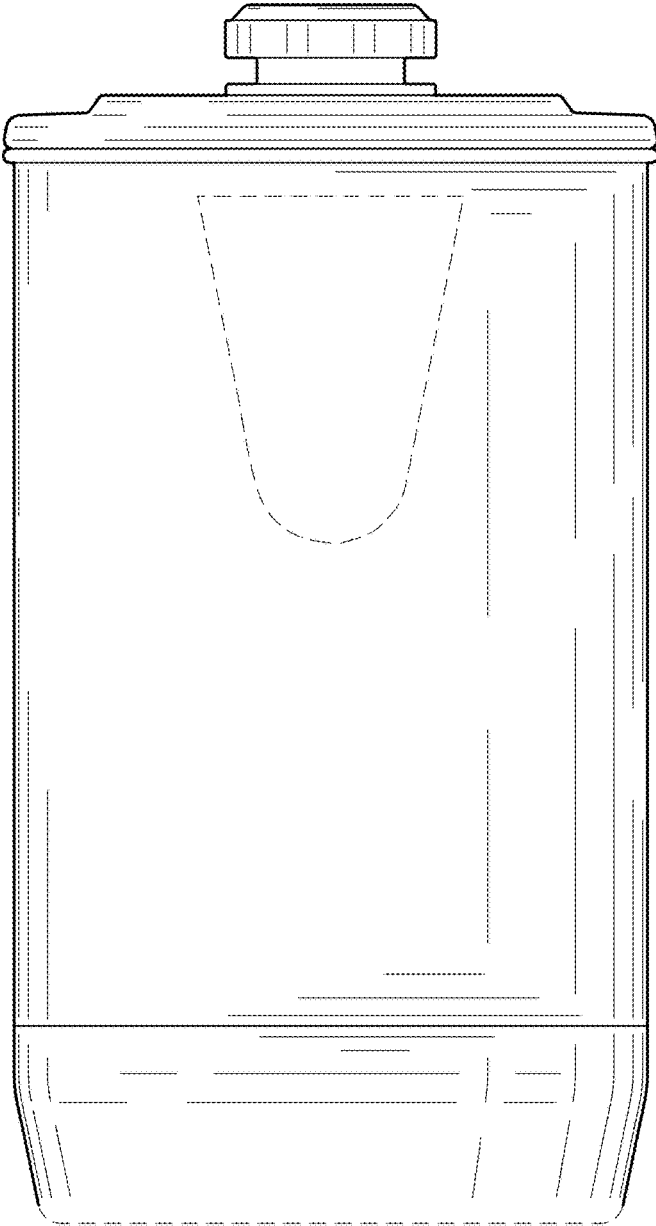


FIG. 4

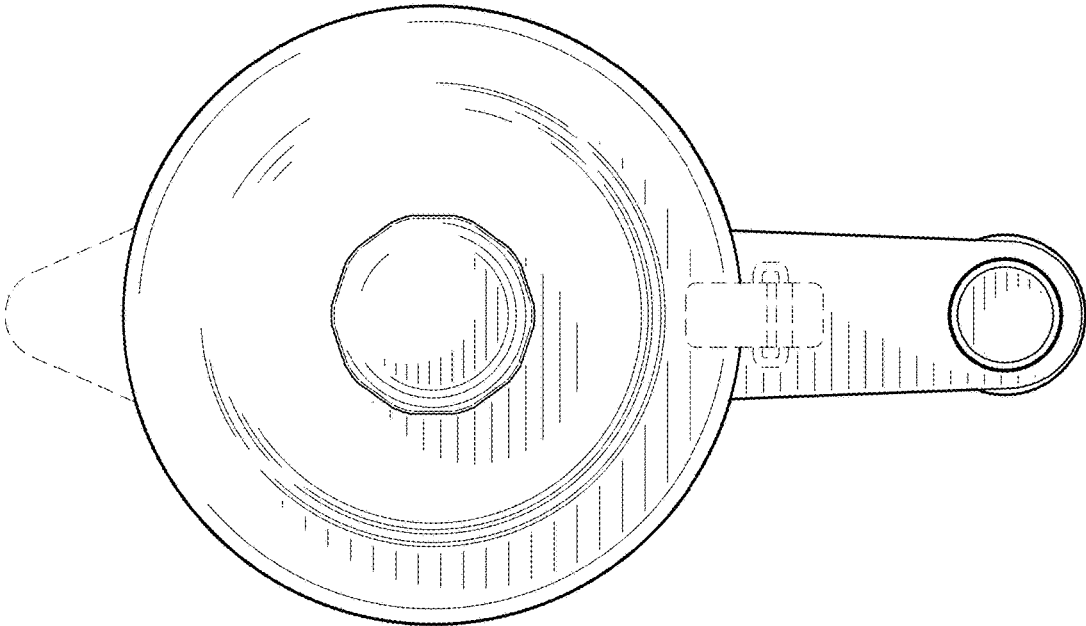


FIG. 5

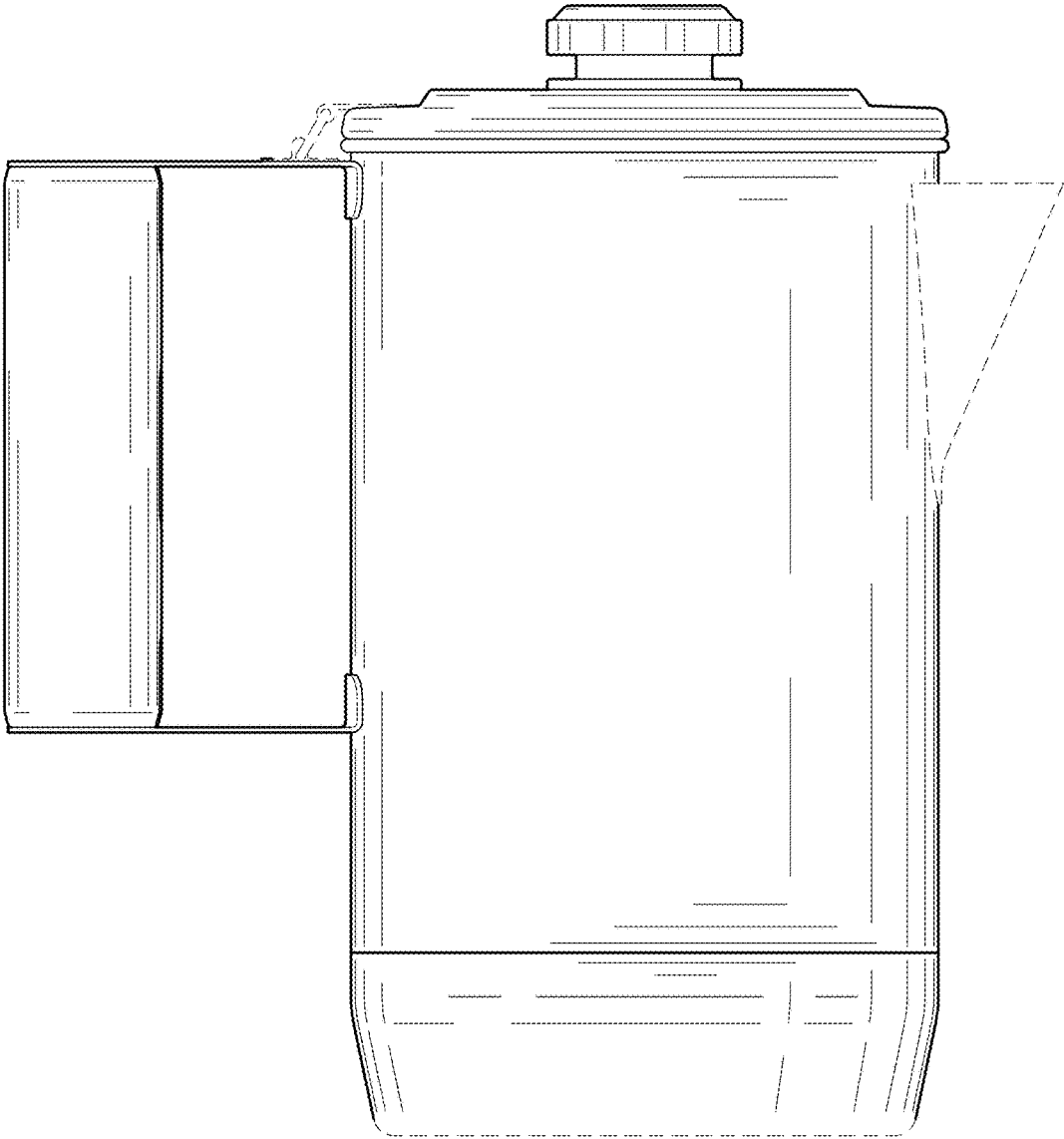


FIG. 6

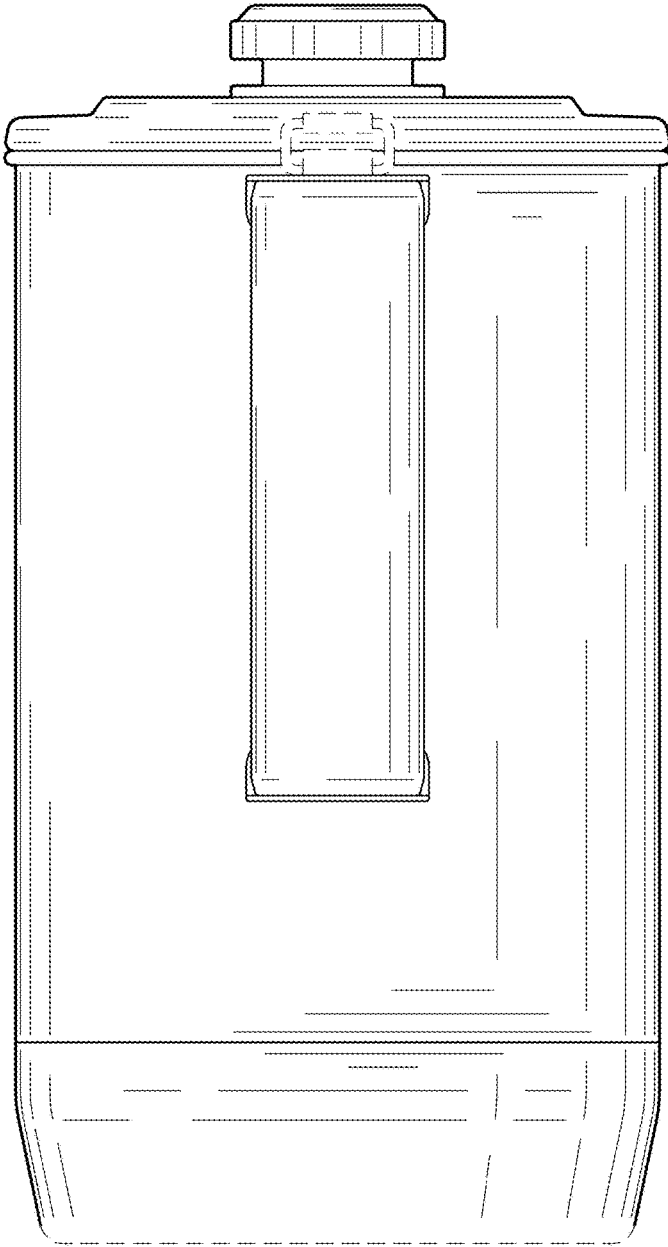


FIG. 7

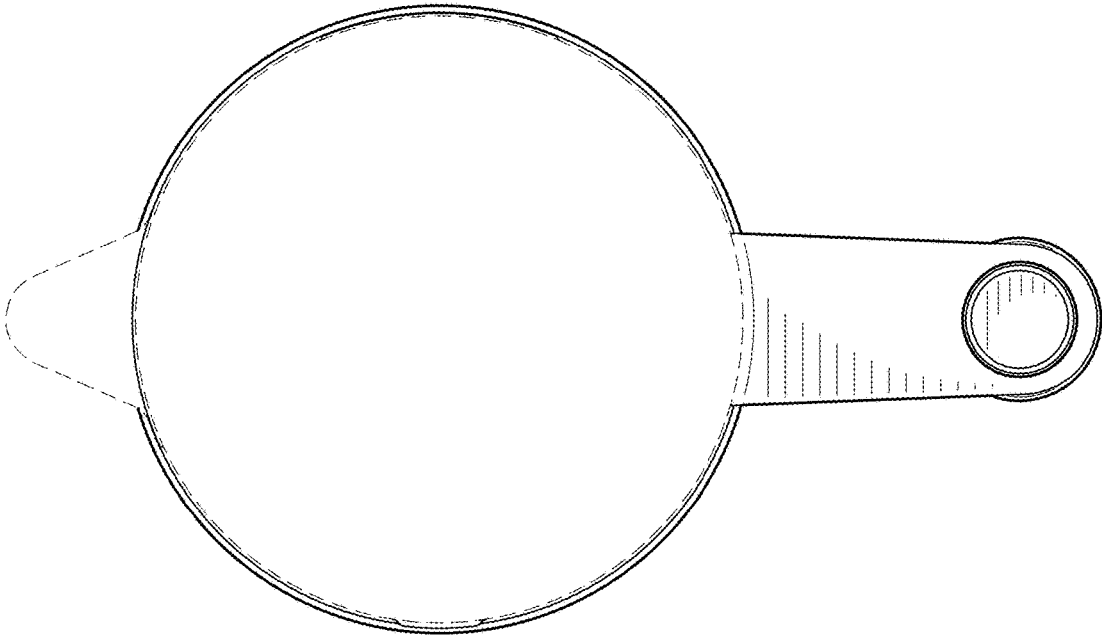


FIG. 8