



US00D429149S

# United States Patent [19] Humphrey

[11] Patent Number: **Des. 429,149**

[45] Date of Patent: **\*\* Aug. 8, 2000**

[54] **PACKAGE**

[75] Inventor: **Neall W. Humphrey**, El Dorado Hills, Calif.

[73] Assignee: **Trade Source International**, El Dorado Hills, Calif.

[\*\*] Term: **14 Years**

[21] Appl. No.: **29/111,291**

[22] Filed: **Sep. 23, 1999**

D. 416,485	11/1999	Humphrey	.....	D9/418
D. 418,408	1/2000	Humphrey	.....	D9/415
4,099,612	7/1978	Hanson	.....	206/783
5,064,056	11/1991	Gresh	.....	206/470 X
5,890,593	4/1999	Humphrey	.....	206/461

### OTHER PUBLICATIONS

Techform Inc, Nov. 1982.  
Modern Pacckaging Catalog, p. 300, Jan. 1941.

*Primary Examiner*—Prabhakar Deshmukh  
*Attorney, Agent, or Firm*—Oppenheimer Wolff & Donnelly LLP

### Related U.S. Application Data

[62] Division of application No. 29/094,860, Oct. 13, 1998, which is a division of application No. 29/078,143, Oct. 20, 1997, Pat. No. Des. 414,108.

[51] **LOC (7) Cl.** ..... **09-07**

[52] **U.S. Cl.** ..... **D9/418; D9/415**

[58] **Field of Search** ..... D9/414, 415, 418, D9/424, 425, 428, 429, 337; 206/742, 765, 303, 461-471, 495, 806; 220/4.24, 4.25

[56] **References Cited**

### U.S. PATENT DOCUMENTS

D. 394,384 5/1998 Humphrey ..... D9/418

[57] **CLAIM**

The ornamental design for a package, as shown and described.

### DESCRIPTION

FIG. 1 is a front perspective view of a package showing my new design;  
FIG. 2 is a left side elevational view thereof; the right side elevational view being a mirror image thereof;  
FIG. 3 is a top plan view thereof; and,  
FIG. 4 is a bottom plan view thereof.  
The rear is plain and unornamented.

**1 Claim, 1 Drawing Sheet**

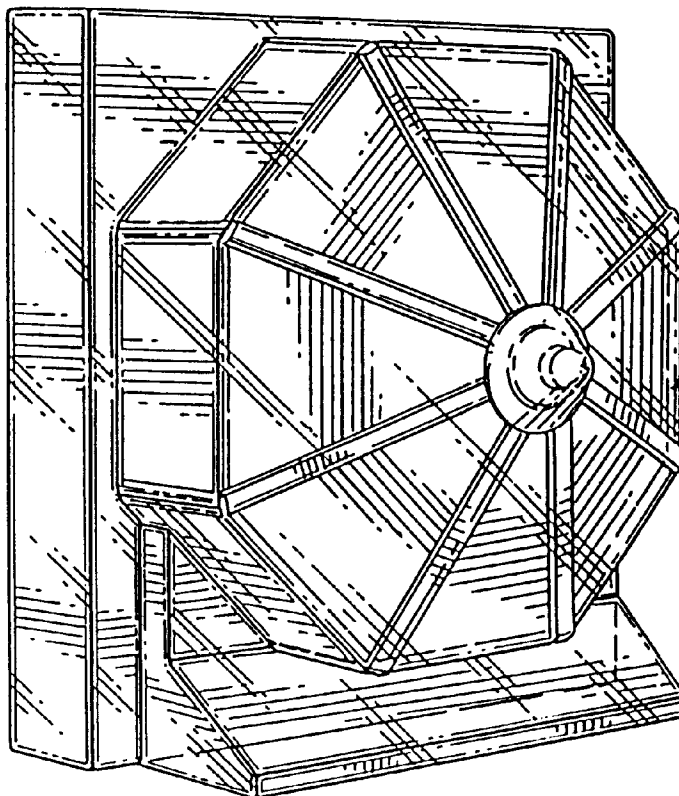


FIG. 1

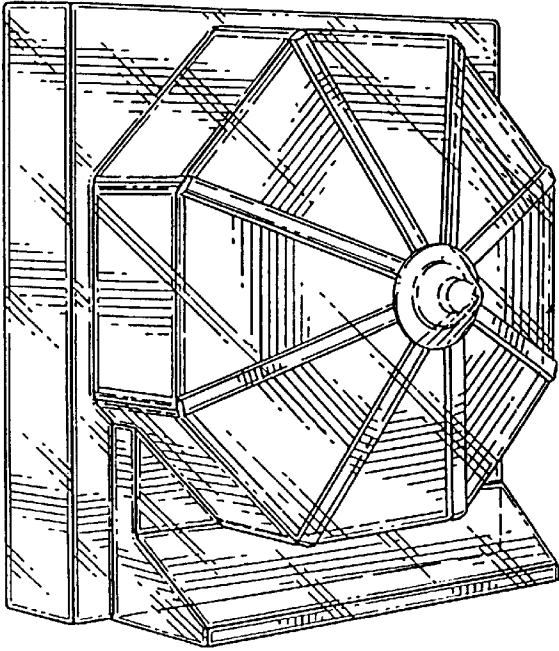


FIG. 2

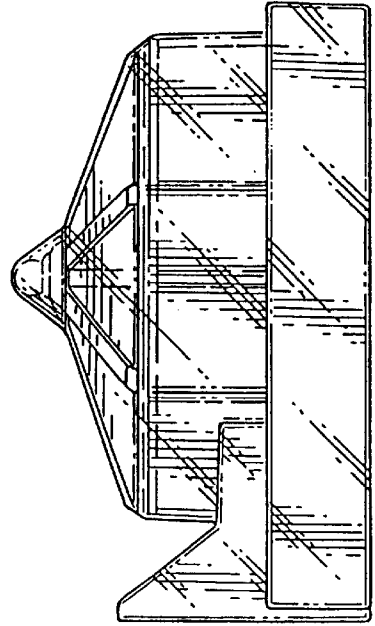


FIG. 3

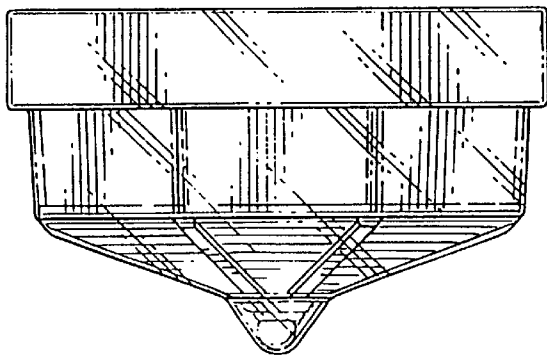


FIG. 4

