

(19) World Intellectual Property
Organization
International Bureau



(43) International Publication Date
23 December 2004 (23.12.2004)

PCT

(10) International Publication Number
WO 2004/110223 A3

(51) International Patent Classification⁷: B26B 3/06,
F41B 13/02, F41C 27/18

CO, CR, CU, CZ, DE, DK, DM, DZ, EC, EE, EG, ES, FI, GB, GD, GE, GH, GM, HR, HU, ID, IL, IN, IS, JP, KE, KG, KP, KR, KZ, LC, LK, LR, LS, LT, LU, LV, MA, MD, MG, MK, MN, MW, MX, MZ, NA, NI, NO, NZ, OM, PG, PH, PL, PT, RO, RU, SC, SD, SE, SG, SK, SL, SY, TJ, TM, TN, TR, TT, TZ, UA, UG, US, UZ, VC, VN, YU, ZA, ZM, ZW.

(21) International Application Number:
PCT/US2004/018689

(22) International Filing Date: 11 June 2004 (11.06.2004)

(25) Filing Language: English

(84) Designated States (unless otherwise indicated, for every kind of regional protection available): ARIPO (BW, GH, GM, KE, LS, MW, MZ, NA, SD, SL, SZ, TZ, UG, ZM, ZW), Eurasian (AM, AZ, BY, KG, KZ, MD, RU, TJ, TM), European (AT, BE, BG, CH, CY, CZ, DE, DK, EE, ES, FI, FR, GB, GR, HU, IE, IT, LU, MC, NL, PL, PT, RO, SE, SI, SK, TR), OAPI (BF, BJ, CF, CG, CI, CM, GA, GN, GQ, GW, ML, MR, NE, SN, TD, TG).

(26) Publication Language: English

(30) Priority Data:
10/458,963 11 June 2003 (11.06.2003) US

(71) Applicant and

(72) Inventor: YU, Zu, Sheng [CN/US]; 31 Bayview Drive, Huntington, NY 11743 (US).

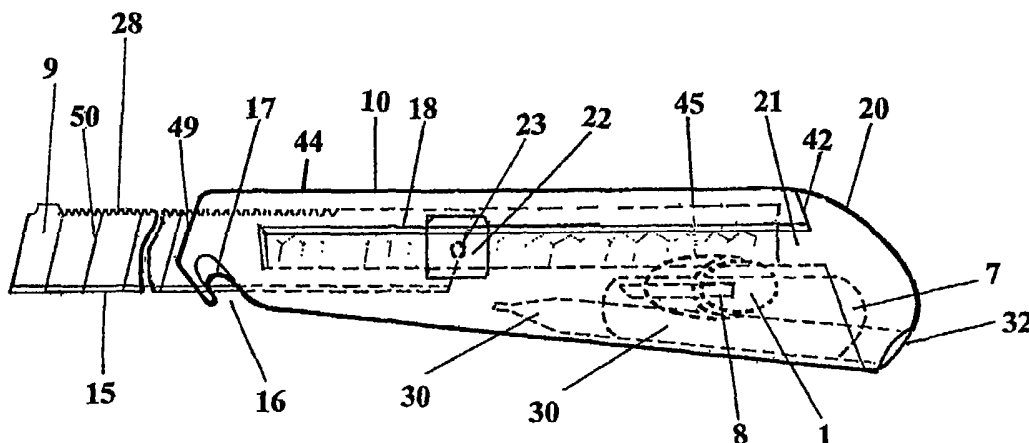
Published:
— with international search report

(74) Agent: CHAU, Frank; F. Chau & Associates, LLC, 130 Woodbury Road, Woodbury, New York 11797 (US).

(88) Date of publication of the international search report:
22 September 2005

(81) Designated States (unless otherwise indicated, for every kind of national protection available): AE, AG, AL, AM, AT, AU, AZ, BA, BB, BG, BR, BW, BY, BZ, CA, CH, CN, For two-letter codes and other abbreviations, refer to the "Guidance Notes on Codes and Abbreviations" appearing at the beginning of each regular issue of the PCT Gazette.

(54) Title: COMBINATION UTILITY KNIFE



(57) Abstract: A retractable blade utility knife (100) is provided which comprises a knife housing (10), a blade (9) having a cutting surface (15) in a lower end and a sawing surface (28) in an upper end of the blade (9), a pencil housing (30) formed in a lower rear part of the knife housing to keep hold of a pencil, a pencil sharpening slot (8) connected to a conical bore (1) and a pencil chips storage room (7), a rope-cutting recess (16) for facilitating rope cutting by the blade, a blade carrier (22) for carrying the blade (9) and for sliding along a longitudinal axis of a knife groove (45) formed in one side of the knife housing, and a rear cover (20) of the knife having a pencil inlet hole (32) and a rear cover fixed switch (21), the rear cover (20) detachably coupled to a rear portion of the knife housing (10) via the rear cover fixed switch (21), thereby providing a pencil chip storage space (7) when closed to store pencil chips and a pencil chip outlet when detached to empty the pencil chips.

WO 2004/110223 A3

INTERNATIONAL SEARCH REPORT

International application No.

PCT/US04/18689

A. CLASSIFICATION OF SUBJECT MATTER

IPC(7) : B26B 3/06; F41B 13/02; F41C 27/18
 US CL : 30/122-125, 162, 278, 289, 317, 353; 7/118, 156, 156, 158, 160; D19/36, 73, 77, 81; D08/99, 105
 According to International Patent Classification (IPC) or to both national classification and IPC

B. FIELDS SEARCHED

Minimum documentation searched (classification system followed by classification symbols)
 U.S. : 30/122-125, 162, 278, 289, 317, 353; 7/118, 156, 156, 158, 160; D19/36, 73, 77, 81; D08/99, 105

Documentation searched other than minimum documentation to the extent that such documents are included in the fields searched
 NONE

Electronic data base consulted during the international search (name of data base and, where practicable, search terms used)
 EAST

C. DOCUMENTS CONSIDERED TO BE RELEVANT

Category *	Citation of document, with indication, where appropriate, of the relevant passages	Relevant to claim No.
X --- Y	US 4,242,795 A (ROLLBAND et al.) 06 January 1981 (06.01.1981), See the entire document.	9 ----- 1, 2, 5, 10, 12, 13, 15, 21 and 22
X --- Y	US 4,891,881 A (MILLS) 09 January 1990 (09.01.1990), See the entire document.	16 ----- 17, 18, 19, 21 and 22
Y	US 4,635,309 A (LARSEN) 13 January 1987 (13.01.1987), See the entire document.	1, 2, 5, 12 and 18
Y	US 5,557,818 A (LEON) 24 September 1996 (24.09.1996), See the entire document.	1, 2, 5, 12 and 18
Y	US 6,279,186 B1 (GE et al.) 28 August 2001 (28.08.2001), See the entire document.	1, 2, 5, 12 and 18
Y	US 6,363,614 B1 (UMSTEAD et al.) 02 April 2002 (02.04.2002), See the entire document.	2, 10 and 17
Y	US 6,219, 869 B1 (BURBA) 24 April 2001 (24.04.2001), See the entire document.	13 and 19

Further documents are listed in the continuation of Box C.

See patent family annex.

*	Special categories of cited documents:	"T"	later document published after the international filing date or priority date and not in conflict with the application but cited to understand the principle or theory underlying the invention
"A"	document defining the general state of the art which is not considered to be of particular relevance	"X"	document of particular relevance; the claimed invention cannot be considered novel or cannot be considered to involve an inventive step when the document is taken alone
"E"	earlier application or patent published on or after the international filing date	"Y"	document of particular relevance; the claimed invention cannot be considered to involve an inventive step when the document is combined with one or more other such documents, such combination being obvious to a person skilled in the art
"L"	document which may throw doubts on priority claim(s) or which is cited to establish the publication date of another citation or other special reason (as specified)	"&"	document member of the same patent family
"O"	document referring to an oral disclosure, use, exhibition or other means		
"P"	document published prior to the international filing date but later than the priority date claimed		

Date of the actual completion of the international search

01 September 2004 (01.09.2004)

Date of mailing of the international search report

28 FEB 2005

Name and mailing address of the ISA/US

Mail Stop PCT, Attn: ISA/US
 Commissioner for Patents
 P.O. Box 1450
 Alexandria, Virginia 22313-1450

Facsimile No. (703) 305-3230

Authorized officer

Linda Sholl

Telephone No. 703 308 1148 *Tech. Center 3700*

Sheila H. Veney
 Paralegal Specialist

INTERNATIONAL SEARCH REPORT

International application No.
PCT/US04/18689

C. (Continuation) DOCUMENTS CONSIDERED TO BE RELEVANT

Category *	Citation of document, with indication, where appropriate, of the relevant passages	Relevant to claim No.
Y	US 4,424,283 A (KAYE) 03 February 1981 (03.02.1981), See the entire document.	13 and 19
Y	US 4,631,829 A (SCHMIDT et al.) 30 December 1986 (30.12.1986), See the entire document.	15 and 22
A	US 5,979,058 A (HENKE) 09 November 1999 (09.11.1999), See the entire document.	1-22
A	US 5,584,123 A (CHI) 17 December 1996 (17.12.1996), See the entire document.	1-22
A	US 5,315,760 A (EMERSON) 31 May 1994 (31.05.1994), See the entire document.	1-22