



US0D1017740S

(12) **United States Design Patent**
Carrington, III et al.

(10) **Patent No.:** **US D1,017,740 S**

(45) **Date of Patent:** **** Mar. 12, 2024**

(54) **EXERCISE ATTACHMENT**

amazon.com/OneTwoFit-Multifunctional-Strength-Training-Equipment/
dp/B07FYZ8X1F/?th=1 (Year: 2018).*

(Continued)

(71) Applicant: **Coulter Ventures, LLC.**, Columbus,
OH (US)

Primary Examiner — Katherine A Holbrow

Assistant Examiner — Riya Salil Kamat

(72) Inventors: **Donnell Carrington, III**, Columbus,
OH (US); **Alyssa Cox**, Portland, OR
(US)

(74) *Attorney, Agent, or Firm* — Banner & Witcoff, Ltd.

(73) Assignee: **Coulter Ventures, LLC.**, Columbus,
OH (US)

(57) **CLAIM**

The ornamental design for an exercise attachment, as shown
and described.

(**) Term: **15 Years**

DESCRIPTION

(21) Appl. No.: **29/820,807**

FIG. 1 is a top, front, left perspective view of an exercise
attachment, showing our new design;

(22) Filed: **Dec. 23, 2021**

FIG. 2 is a front view thereof;

(51) **LOC (14) Cl.** **21-02**

FIG. 3 is a rear view thereof;

(52) **U.S. Cl.**

FIG. 4 is a right side view thereof;

USPC **D21/694**; D21/662; D21/673; D21/679;
D21/686; D21/691

FIG. 5 is a left side view thereof;

(58) **Field of Classification Search**

FIG. 6 is a top view thereof;

USPC D21/662, 673, 677, 679, 684, 685, 686,
D21/691, 694

FIG. 7 is a bottom view thereof;

CPC A63B 21/078; A63B 1/00; A63B 21/156;
A63B 21/157; A63B 21/08; A63B 21/16;
A63B 21/0728; A63B 17/00; A63B
21/0557; A63B 1/005

FIG. 8 is a top, front, left perspective view thereof, showing
my new design of FIGS. 1-7 in an exemplary environment;

See application file for complete search history.

FIG. 9 is a top, front, left perspective view of an alternative
embodiment of an exercise attachment, showing our new
design;

(56) **References Cited**

FIG. 10 is a front view thereof;

U.S. PATENT DOCUMENTS

FIG. 11 is a rear view thereof;

4,915,375 A * 4/1990 Ginsburg A63B 22/0605
280/294

FIG. 12 is a right side view thereof;

D444,827 S * 7/2001 Mobley D21/694
(Continued)

FIG. 13 is a left side view thereof;

OTHER PUBLICATIONS

FIG. 14 is a top view thereof;

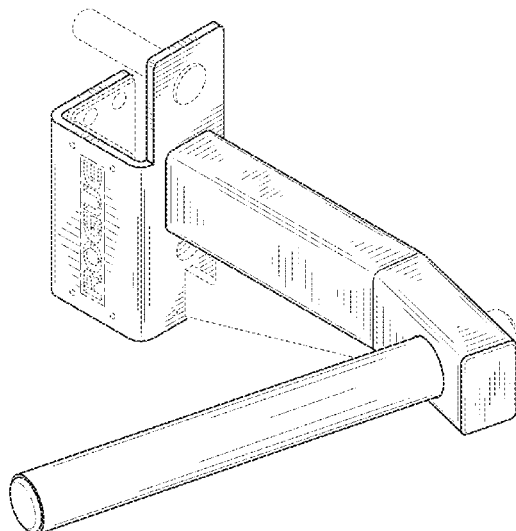
Onetwofit, Wall Mounted Pull Up Bar, published on Jul. 27, 2018
[online]. Retrieved from internet (Date: Sep. 8, 2023), <https://www.onetwofit.com/>

FIG. 15 is a bottom view thereof; and,

FIG. 16 is a top, front, left perspective view thereof, showing
my new design of FIGS. 9-15 in an exemplary environment.

The even-length broken lines show environment and por-
tions of the exercise attachment that form no part of the
claimed design. The uneven-length broken lines show the
bounds of the claimed design and form no part of the
claimed design.

1 Claim, 16 Drawing Sheets



(56)

References Cited

U.S. PATENT DOCUMENTS

D682,955 S * 5/2013 Stephan D21/679
 9,192,799 B2 * 11/2015 Alenaddaf A63B 71/0036
 9,907,991 B2 3/2018 Leipheimer
 10,058,728 B2 8/2018 Kelly
 D852,291 S * 6/2019 Meredith D21/694
 D890,273 S * 7/2020 Dunahay D8/372
 D898,136 S * 10/2020 Carmichael D21/686
 D898,137 S * 10/2020 Carmichael D21/686
 D906,448 S * 12/2020 Garcia D21/694
 D906,449 S * 12/2020 Garcia D21/694
 D907,726 S * 1/2021 Gluba D21/694
 D908,823 S * 1/2021 Scott D21/694
 10,974,091 B1 * 4/2021 Hensler A63B 21/062
 D920,451 S * 5/2021 McGrotty D21/673
 D931,953 S * 9/2021 Kuka D21/686
 D931,957 S * 9/2021 Rodriguez D21/673
 D931,958 S * 9/2021 Pritchett D21/694
 11,110,316 B2 9/2021 Sergakis et al.
 D945,540 S * 3/2022 Pritchett D21/686

D954,867 S * 6/2022 Carmichael D21/694
 D971,350 S * 11/2022 Fleischman D21/686
 11,517,785 B1 * 12/2022 Nolan A63B 17/04
 D988,949 S * 6/2023 McMath D12/178
 2017/0246496 A1 * 8/2017 Nelson A63B 21/0724
 2020/0094096 A1 * 3/2020 Sorin A63B 21/4047

OTHER PUBLICATIONS

Rogue, Single Landmine Handle, published on Jun. 2019 [online]. Retrieved from internet (Date: Sep. 18, 2023), <https://www.roguefitness.com/landmine-single-handle> (Year: 2019).
 Rogue, Monster Solo Mount Pull-Up Bar, published on Aug. 2019 [online]. Retrieved from internet (Date: Sep. 18, 2023), <https://www.roguefitness.com/monster-solo-mount-pull-up-bar> (Year: 2019).
 Garage Gym Reviews, Rogue Velocidior Dip Attachment, published on Apr. 14, 2023 [online]. Retrieved from internet (Date: Sep. 18, 2023), <https://www.youtube.com/watch?v=DI5b1Q4UB00> (Year: 2023).*

* cited by examiner

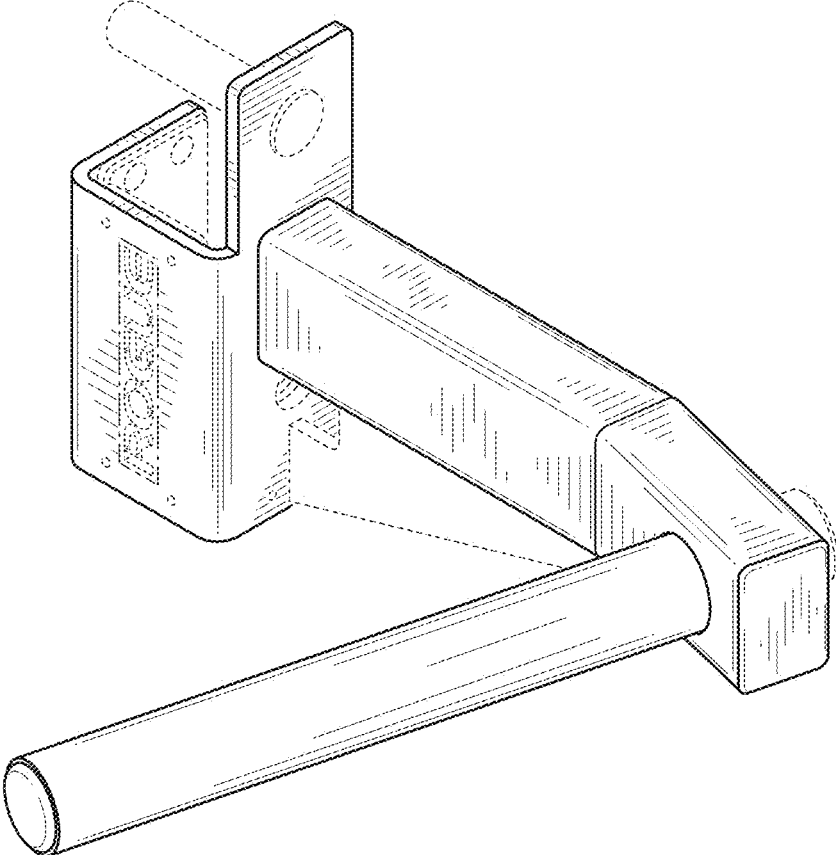


FIG. 1

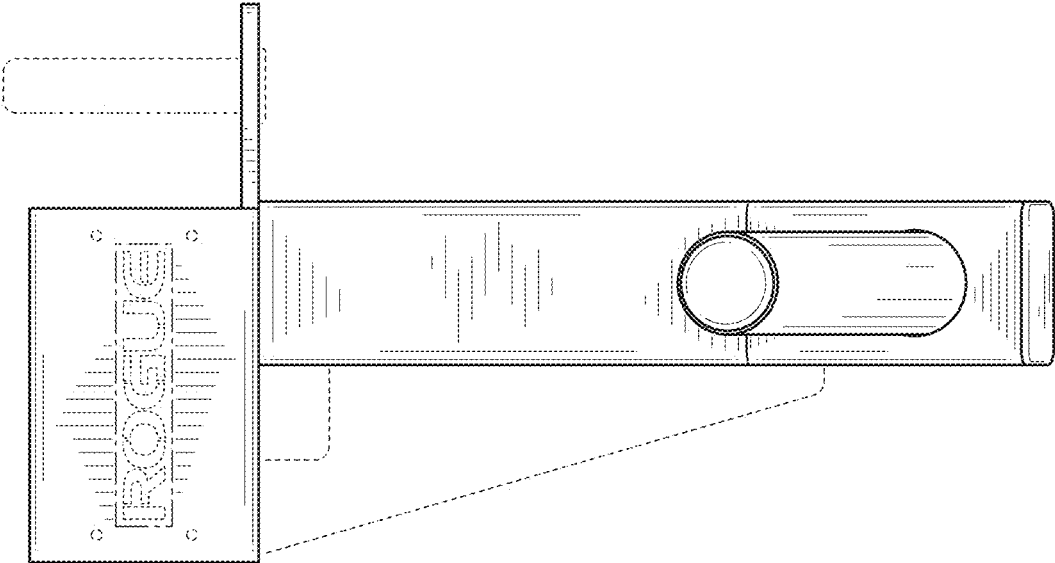


FIG. 2

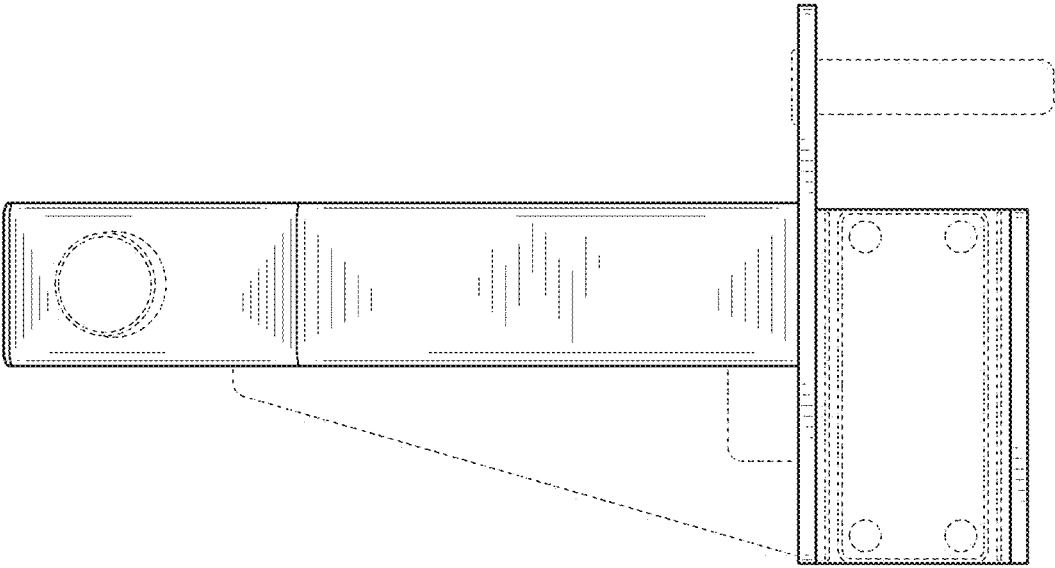


FIG. 3

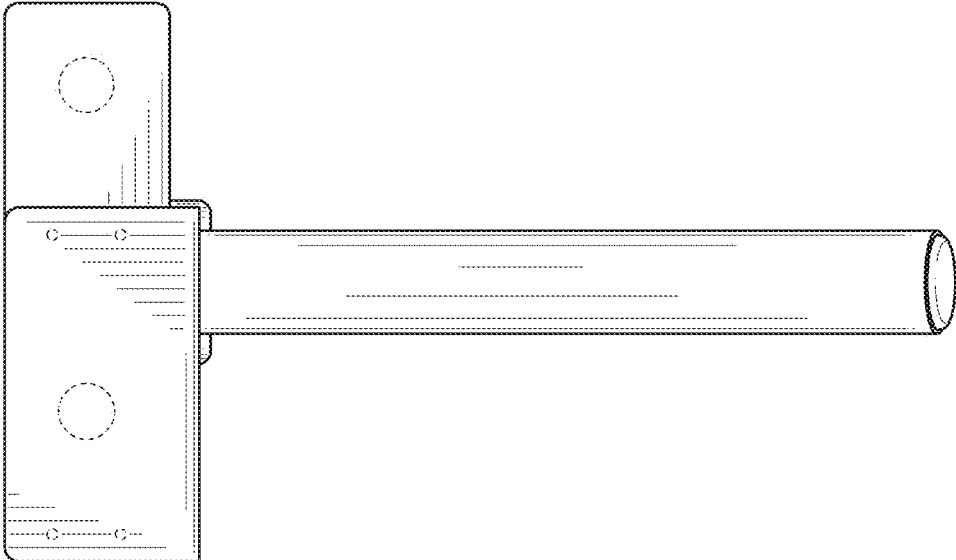


FIG. 4

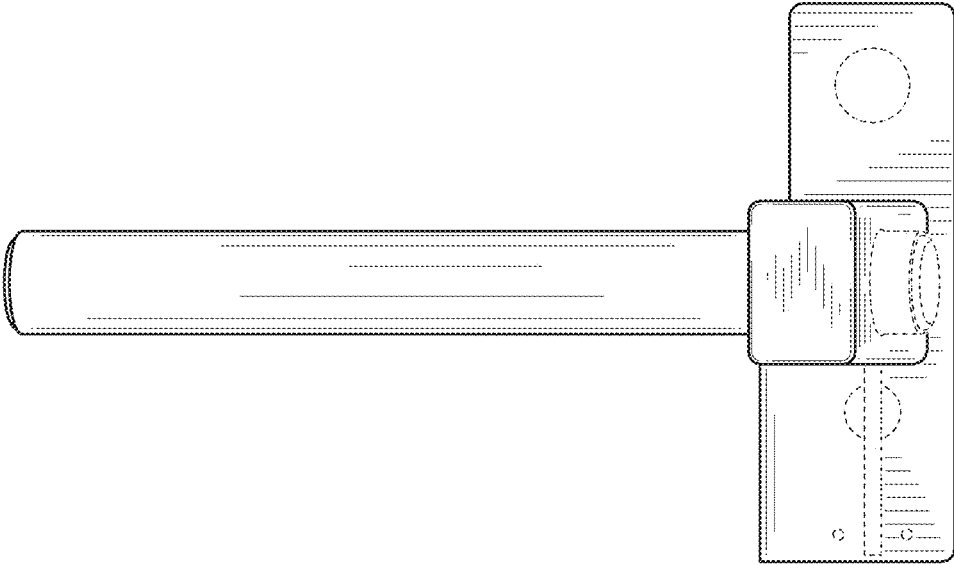


FIG. 5

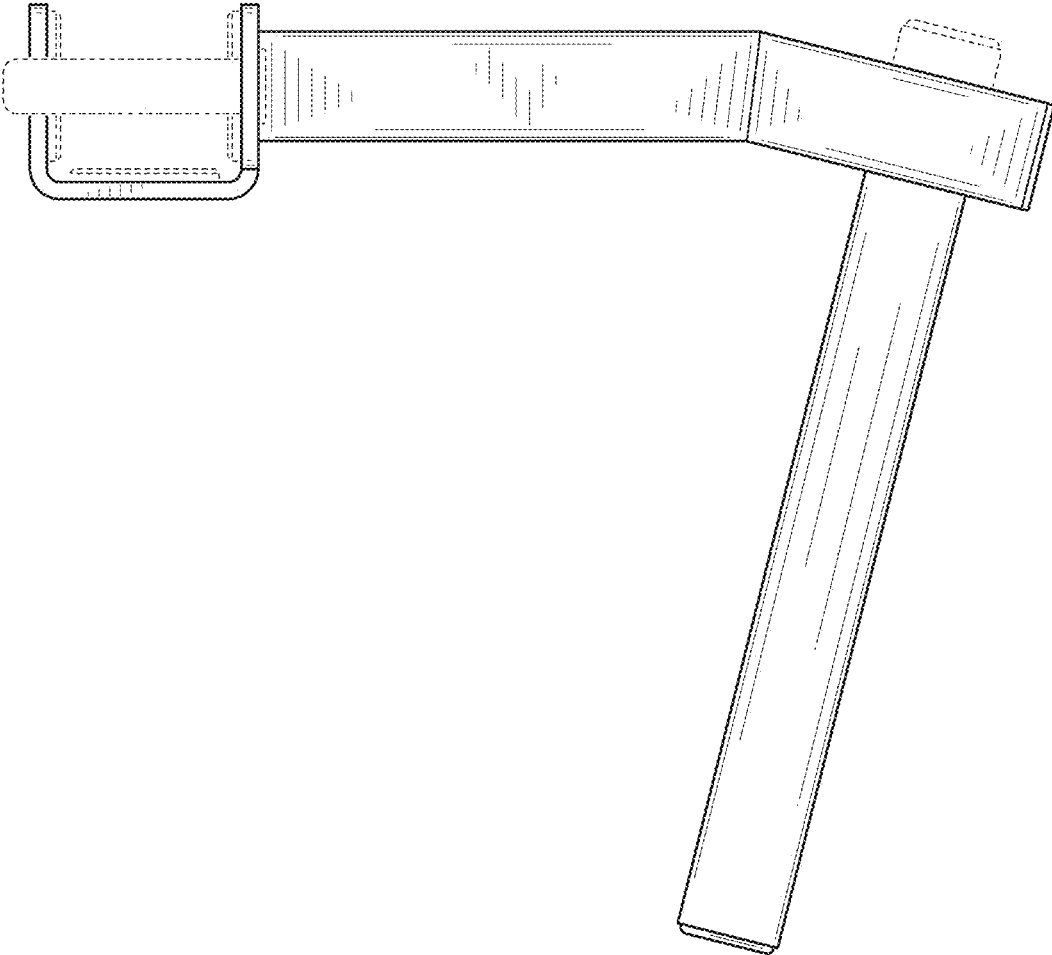


FIG. 6

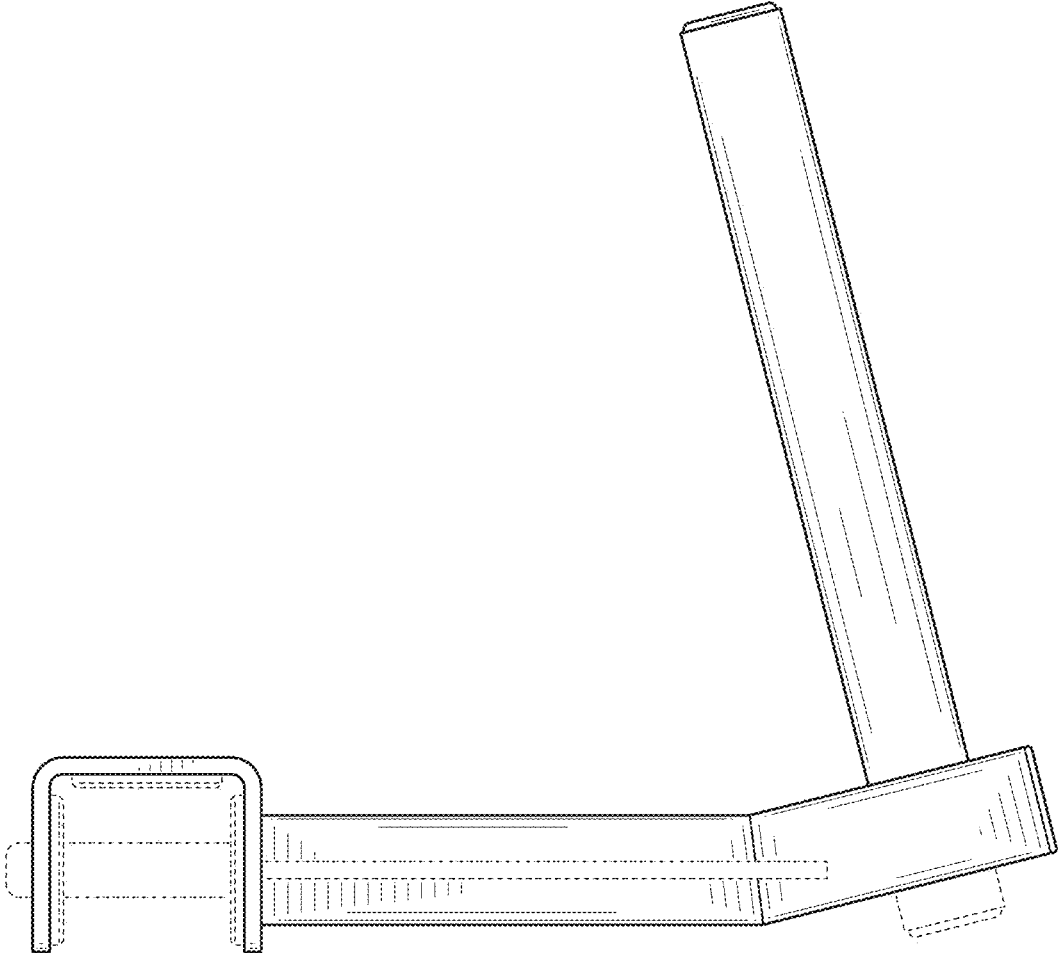


FIG. 7

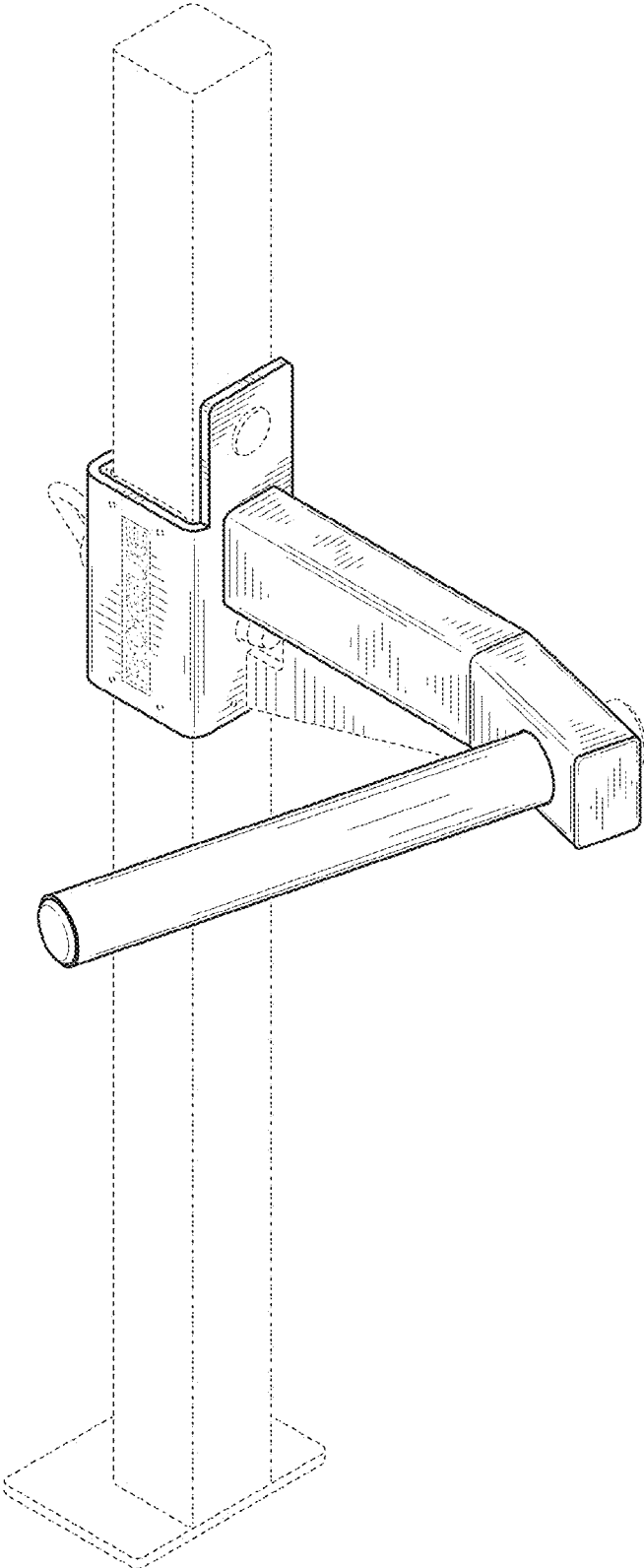


FIG. 8

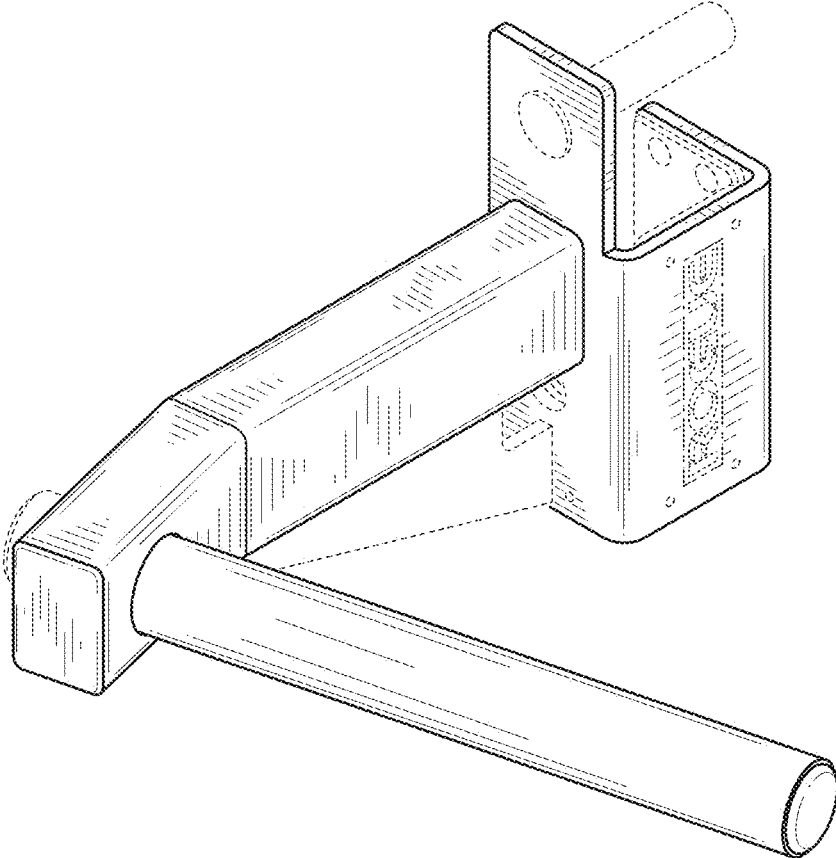


FIG. 9

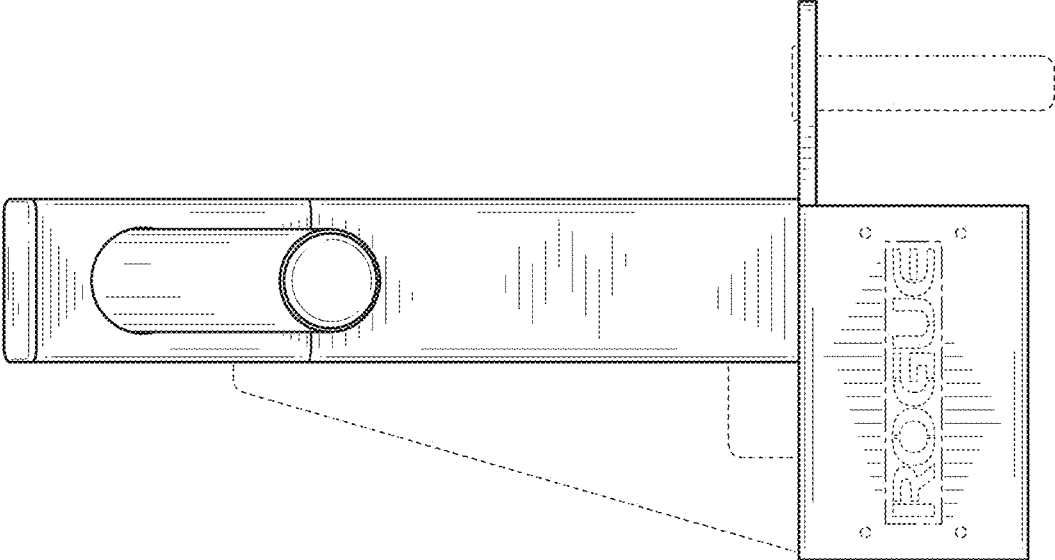


FIG. 10

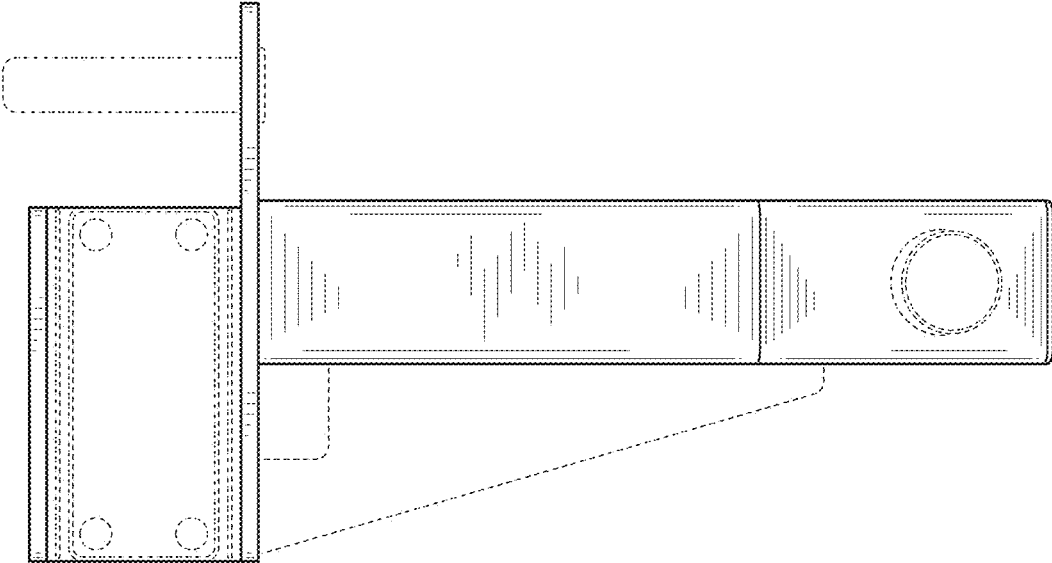


FIG. 11

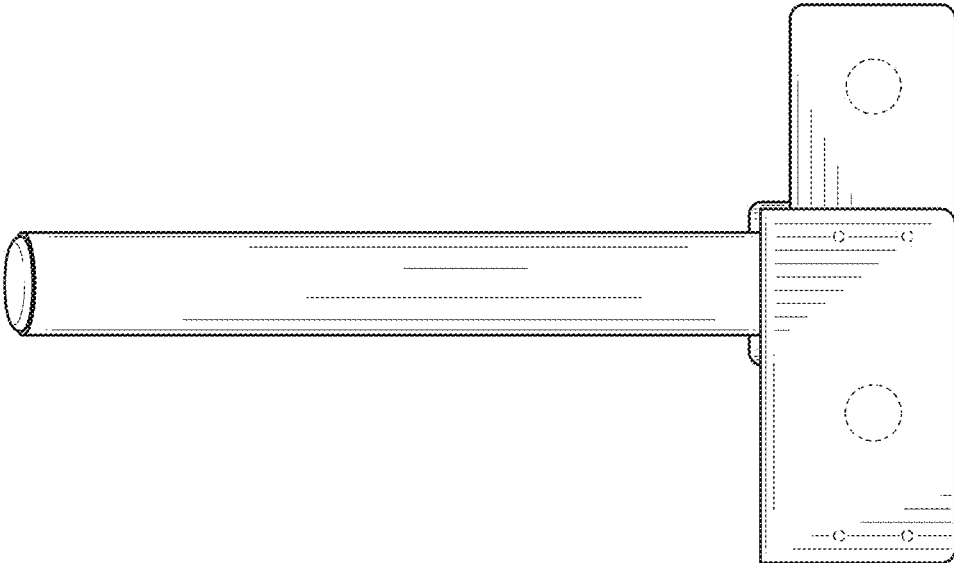


FIG. 12

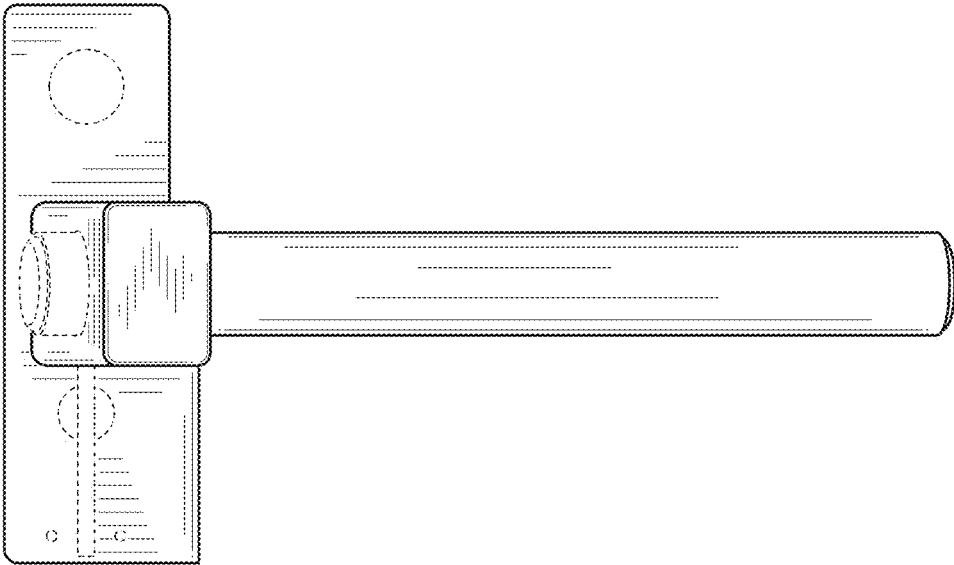


FIG. 13

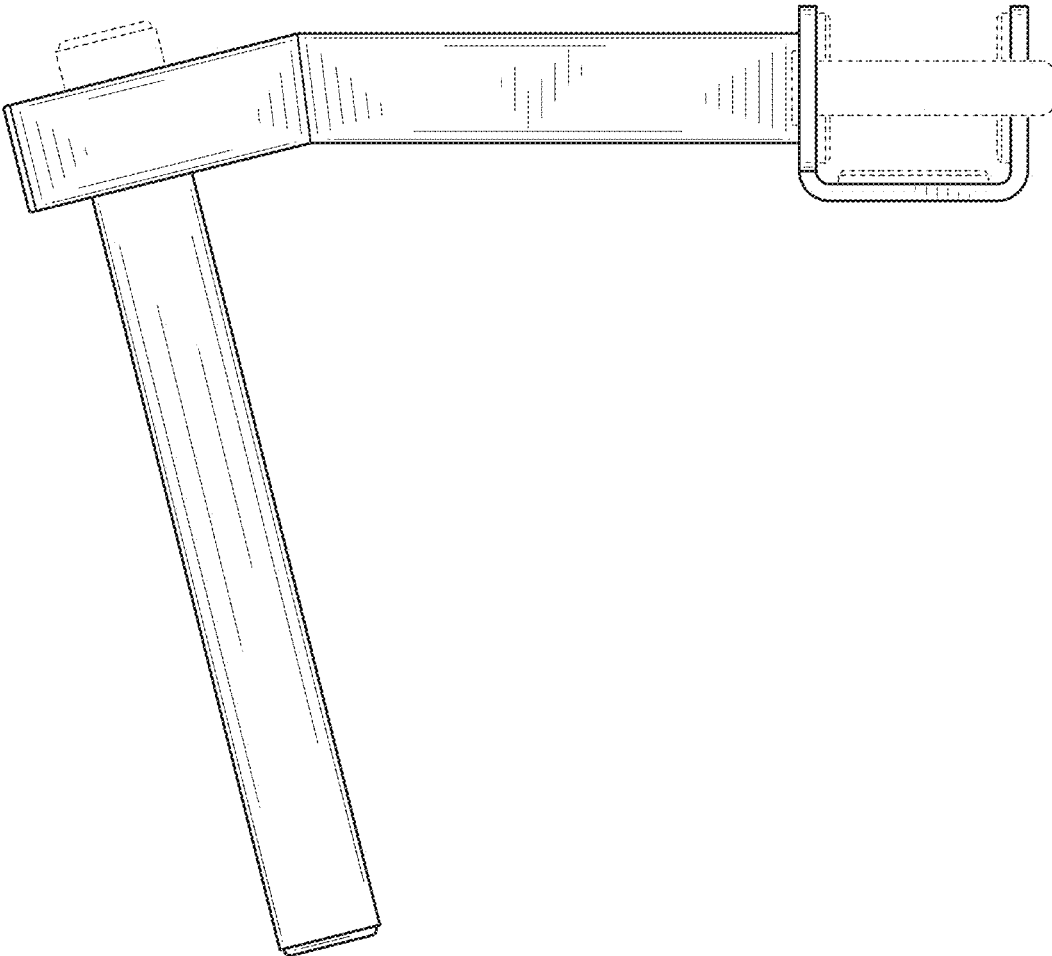


FIG. 14

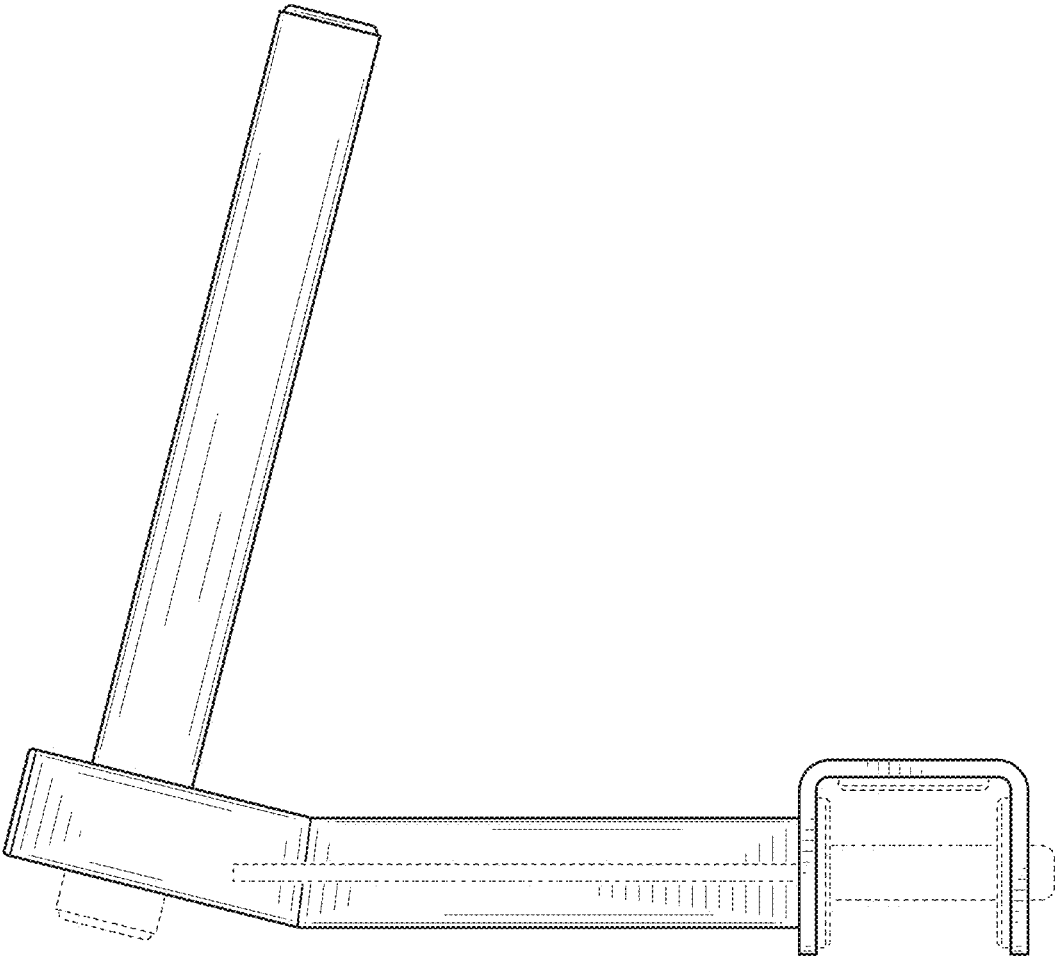


FIG. 15

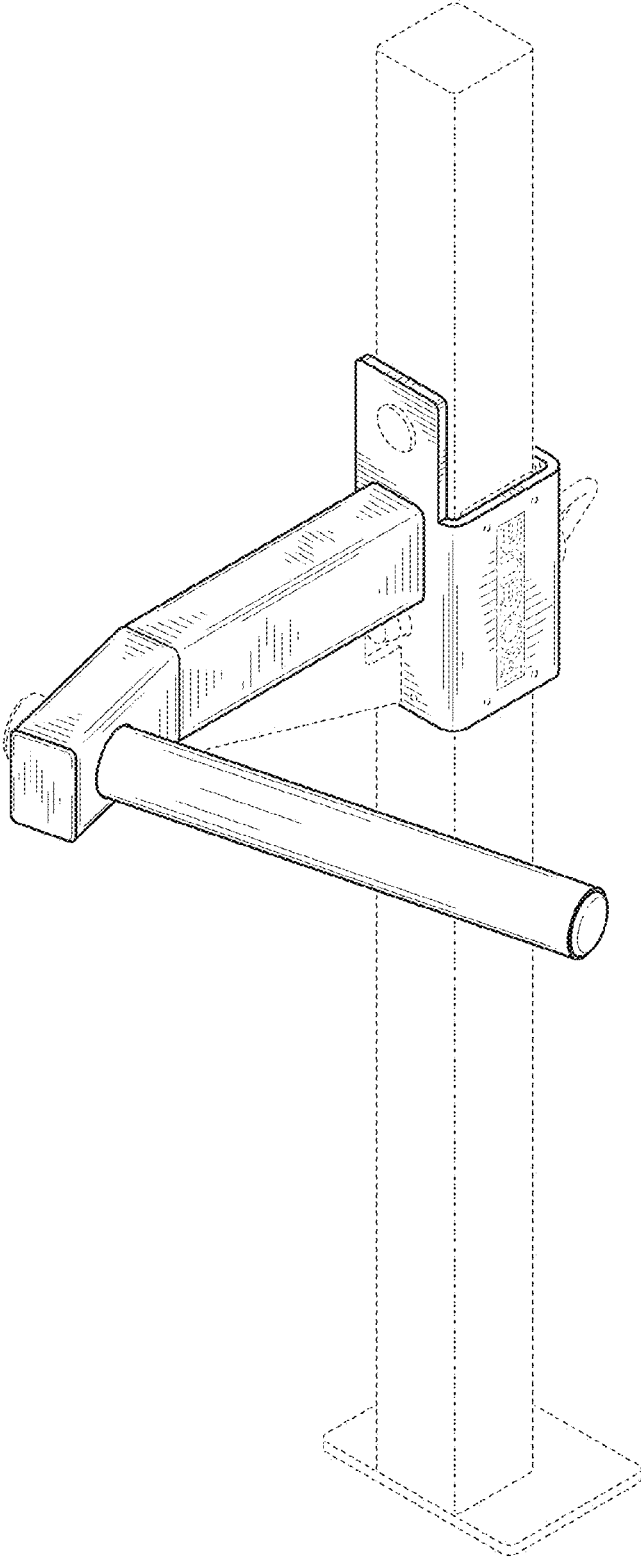


FIG. 16