



US00D449784B1

(12) **United States Design Patent**  
**Crawford et al.**

(10) **Patent No.:** **US D449,784 S**

(45) **Date of Patent:** **\*\* \*Oct. 30, 2001**

(54) **CLOSURE**

(75) Inventors: **John C. Crawford**, Mahopac, NY (US); **Patrick Calello**, Roseland, NJ (US)

(73) Assignee: **Colgate-Palmolive Company**, New York, NY (US)

(\* ) Notice: This patent is subject to a terminal disclaimer.

(\*\*) Term: **14 Years**

(21) Appl. No.: **29/123,737**

(22) Filed: **May 24, 2000**

(51) **LOC (7) Cl.** ..... **09-07**

(52) **U.S. Cl.** ..... **D9/453**

(58) **Field of Search** ..... D9/435, 439, 443, D9/452, 453, 454; 215/316, 328, 355; 220/288, 376

(56) **References Cited**

**U.S. PATENT DOCUMENTS**

H803	*	8/1990	Sherrington	.....	D9/453
D. 240,716	*	7/1976	Hegi	.....	D9/440
D. 289,379		4/1987	DeVaughn	.	
D. 325,167	*	4/1992	Humfress	.....	D9/575

D. 381,911	*	8/1997	Lathrop et al.	.....	D9/453
D. 382,482	*	8/1997	Lathrop et al.	.....	D9/453
D. 390,466	*	2/1998	Mao	.....	D9/454
D. 398,852	*	9/1998	Gross	.....	D9/453
D. 398,856		9/1998	Silvenis et al.	.	
D. 421,223	*	2/2000	Briere et al.	.....	D9/453
D. 426,159	*	6/2000	Briere et al.	.....	D9/453
3,904,062	*	9/1975	Grussen	.....	215/252
5,129,530	*	7/1992	Fuchs	.....	215/252
5,836,466	*	11/1998	Briere et al.	.....	215/216

**FOREIGN PATENT DOCUMENTS**

2334759	1/1975	(DE)	.
1246904	10/1960	(FR)	.
WO 89/07682	8/1989	(WO)	.

\* cited by examiner

*Primary Examiner*—Cathron C. Brooks

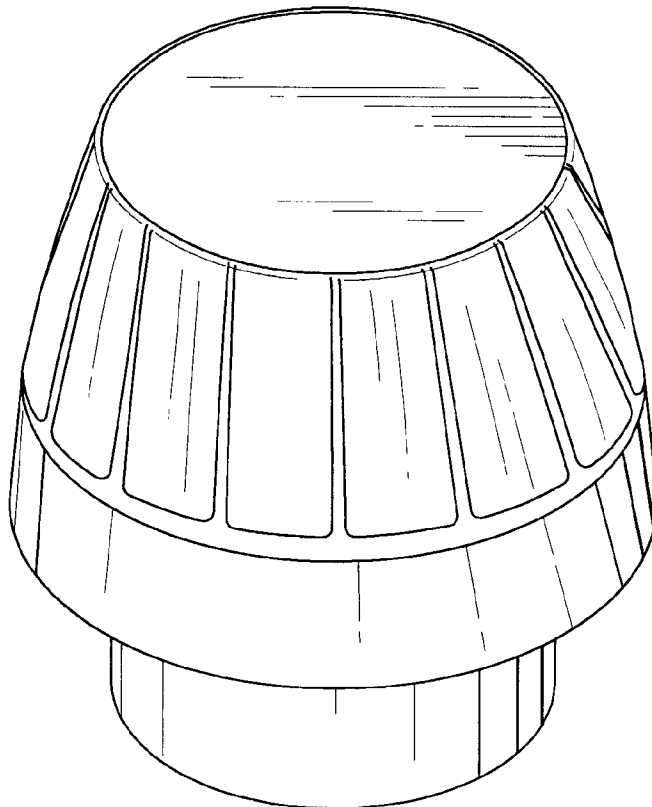
(57) **CLAIM**

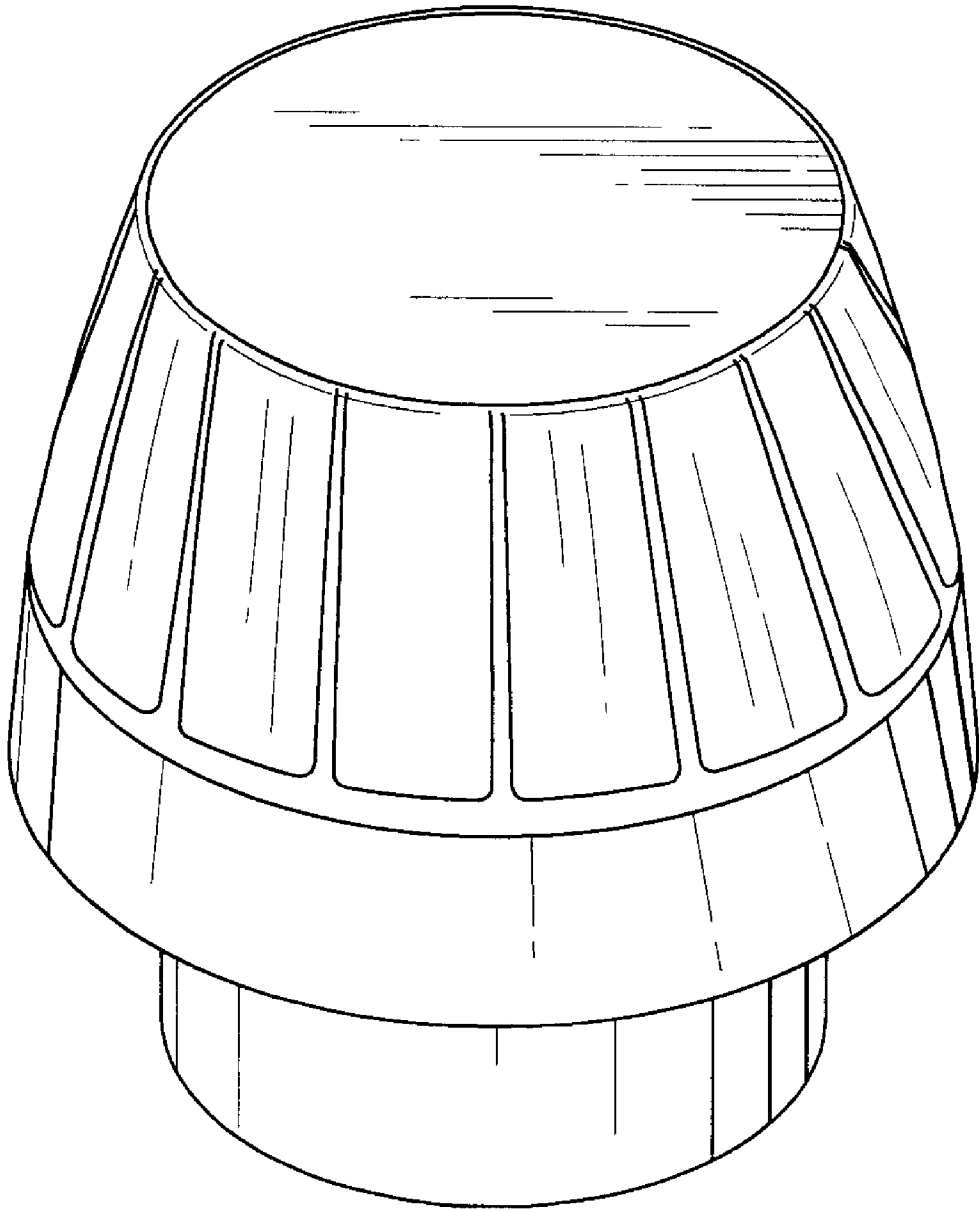
The ornamental design for a closure, as shown and described.

**DESCRIPTION**

FIG. 1 is a perspective view of the closure of our design. FIG. 2 is a top plan view thereof. FIG. 3 is a side elevation view thereof; and, FIG. 4 is a bottom plan view thereof.

**1 Claim, 2 Drawing Sheets**





*FIG. 1*

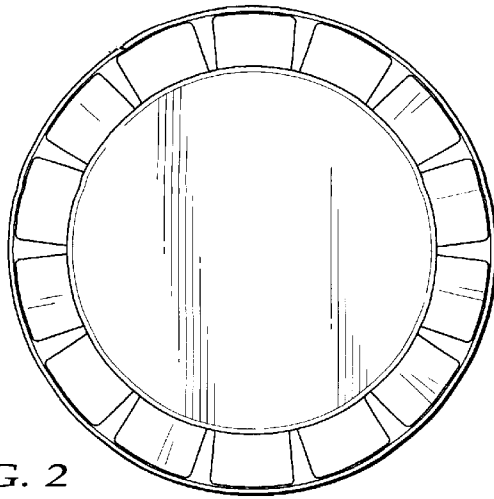


FIG. 2

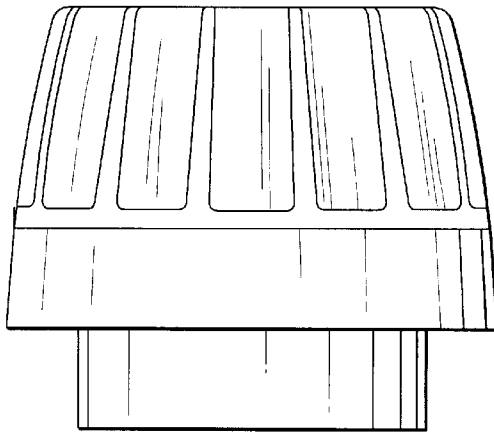


FIG. 3

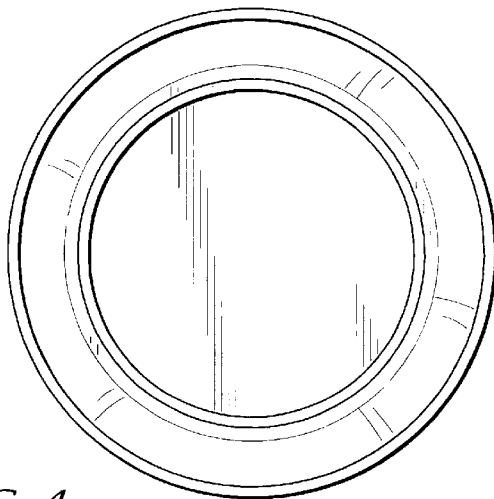


FIG. 4