



US00D690366S

(12) **United States Design Patent**
Bouwhuis

(10) **Patent No.:** **US D690,366 S**

(45) **Date of Patent:** **** Sep. 24, 2013**

(54) **DOUBLE SIDED SIGN HOLDER**

(71) Applicant: **Fasteners For Retail, Inc.**, Twinsburg, OH (US)

(72) Inventor: **Norman Bouwhuis**, Bentonville, AR (US)

(73) Assignee: **Fasteners For Retail, Inc.**, Twinsburg, OH (US)

(**) Term: **14 Years**

(21) Appl. No.: **29/432,727**

(22) Filed: **Sep. 19, 2012**

(51) **LOC (9) Cl.** **20-03**

(52) **U.S. Cl.**

USPC **D20/43**

(58) **Field of Classification Search**

USPC D20/10, 19, 42-44, 99; 40/642.01, 40/642.02, 649-651, 658, 661, 661.03; D8/395; D19/77; D21/386; D25/119-123; 16/225

See application file for complete search history.

(56) **References Cited**

U.S. PATENT DOCUMENTS

D62,481 S *	6/1923	Fogarty	D20/44
D175,481 S *	8/1955	Slavsky	D20/44
D205,054 S *	6/1966	Wansky	D20/44
D224,168 S *	7/1972	Hooker	D19/77
D241,662 S *	9/1976	Radmall	D21/386
D291,210 S *	8/1987	Labbe et al.	D20/43
D344,764 S *	3/1994	Tam	D20/43
D425,566 S	5/2000	Mueller et al.	

D432,404 S *	10/2000	Garfinkle	D8/395
D454,917 S	3/2002	Mueller	
D511,548 S	11/2005	Wamsley	
D513,280 S	12/2005	Kosir	
D531,227 S	10/2006	Mueller et al.	
7,328,480 B2 *	2/2008	Schoemann	16/225
D573,656 S	7/2008	Wamsley	
D669,135 S *	10/2012	Garfinkle	D20/43

OTHER PUBLICATIONS

FFR-DSI Yellow Pages 2011 Product Catalog, cover page, pp. 86, 87, 101, 120, 122, 123, 125, 127, 140, 152-155, 158, 171, 173 and 183, (2011).

* cited by examiner

Primary Examiner — Mary Ann Calabrese

(74) *Attorney, Agent, or Firm* — Fay Sharpe LLP

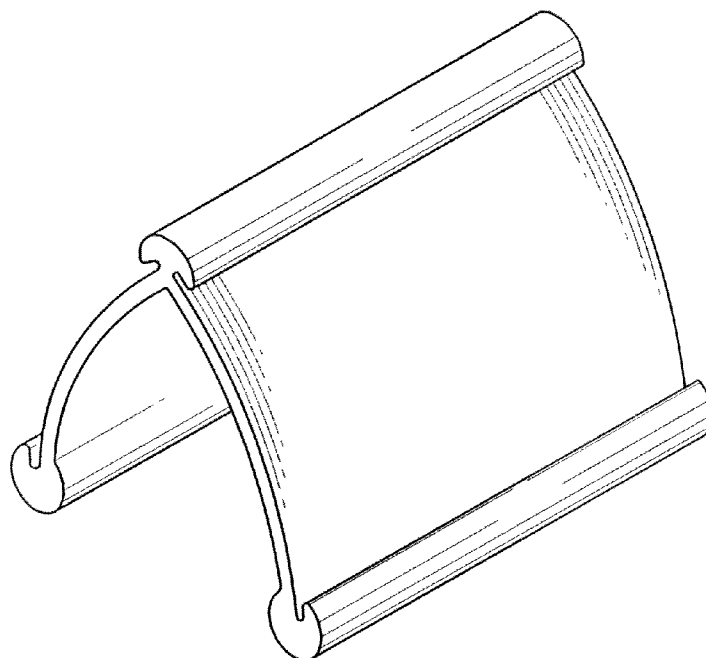
(57) **CLAIM**

The ornamental design for a double sided sign holder, as shown and described.

DESCRIPTION

FIG. 1 is a perspective view from the upper left of a double sided sign holder showing my new design; FIG. 2 is a perspective view from the lower left thereof; FIG. 3 is a right side elevational view thereof, with the left side elevational view being an image thereof; FIG. 4 is a top plan view thereof; FIG. 5 is a bottom plan view thereof; and, FIG. 6 is a front view thereof, with a rear view being a mirror image thereof.

1 Claim, 2 Drawing Sheets



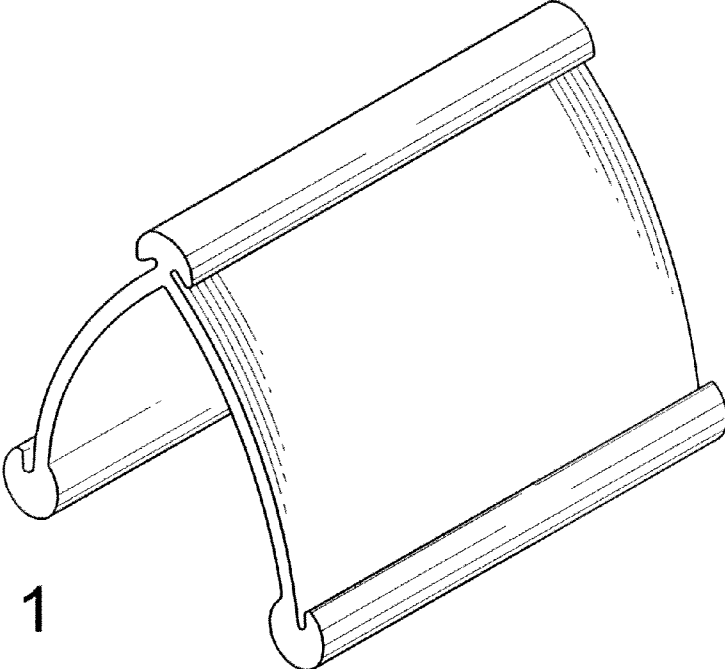


FIG. 1

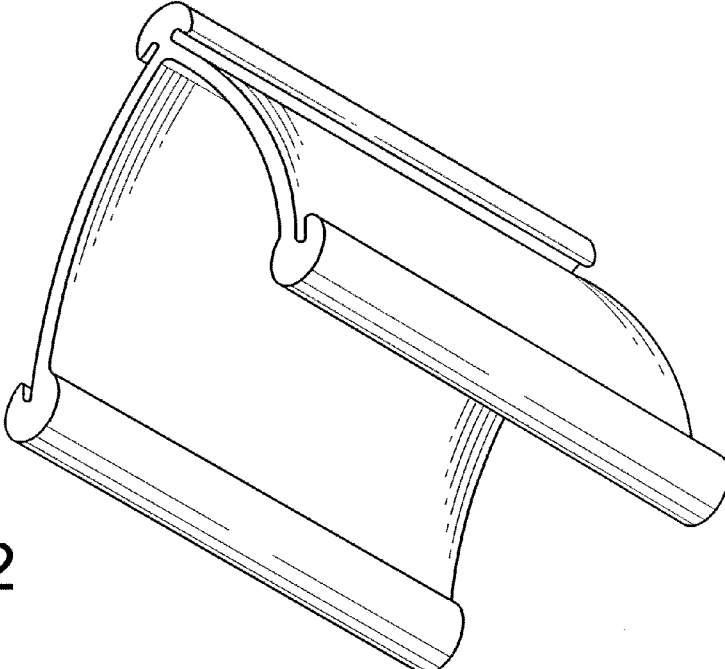


FIG. 2

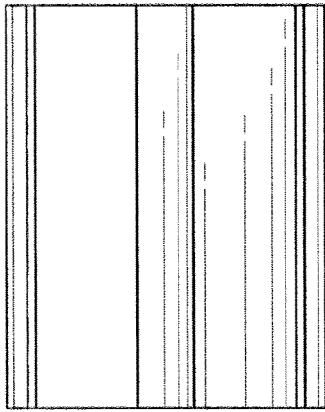


FIG. 4

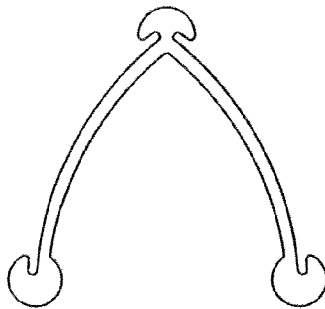


FIG. 3

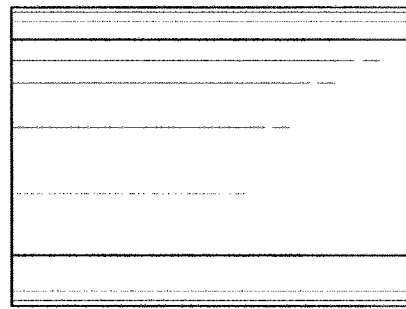


FIG. 6

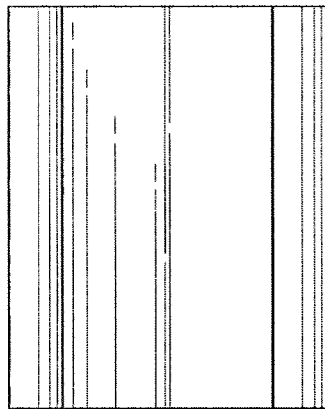


FIG. 5