

(19) World Intellectual Property Organization
International Bureau



(43) International Publication Date
22 August 2002 (22.08.2002)

PCT

(10) International Publication Number
WO 02/065750 A3

(51) International Patent Classification⁷: G06F 17/60

(21) International Application Number: PCT/US02/04040

(22) International Filing Date: 12 February 2002 (12.02.2002)

(25) Filing Language: English

(26) Publication Language: English

(30) Priority Data:
09/781,679 12 February 2001 (12.02.2001) US
09/781,680 12 February 2001 (12.02.2001) US

(71) Applicant: WORLD THEATRE, INC. [US/US]; One Copley Parkway, Suite 302, Morrisville, NC 27560 (US).

(72) Inventors: BALLOU, Bernard, L., Jr.; 11404 Blackbrook Court, Raleigh, NC 27614 (US). SPARKS, Kelly, C.; 900 Perimeter Park Drive, Suite E, Morrisville, NC 27560 (US). HEBRANK, John, H.; 216 Jefferson Drive, Durham, NC 27712 (US). HUNTER, Charles, Eric; 7 Grey Widgeon, Hilton Head Island, SC 29928 (US).

(74) Agents: GARRETT, Arthur, S. et al.; Finnegan, Henderson, Farabow, Garrett & Dunner, L.L.P., 1300 I Street, N.W., Washington, DC 20005-3315 (US).

(81) Designated States (national): AE, AG, AL, AM, AT, AU, AZ, BA, BB, BG, BR, BY, BZ, CA, CH, CN, CO, CR, CU, CZ, DE, DK, DM, DZ, EC, EE, ES, FI, GB, GD, GE, GH, GM, HR, HU, ID, IL, IN, IS, JP, KE, KG, KP, KR, KZ, LC, LK, LR, LS, LT, LU, LV, MA, MD, MG, MK, MN, MW, MX, MZ, NO, NZ, OM, PH, PL, PT, RO, RU, SD, SE, SG, SI, SK, SL, TJ, TM, TN, TR, TT, TZ, UA, UG, UZ, VN, YU, ZA, ZM, ZW.

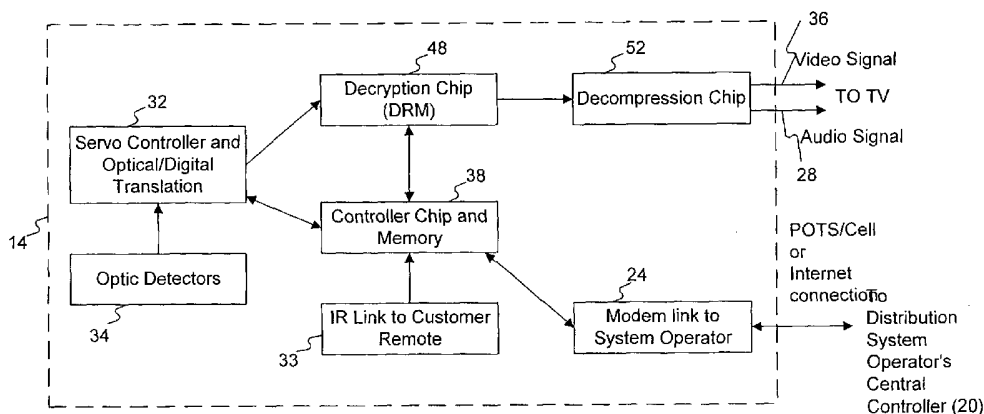
(84) Designated States (regional): ARIPO patent (GH, GM, KE, LS, MW, MZ, SD, SL, SZ, TZ, UG, ZM, ZW), Eurasian patent (AM, AZ, BY, KG, KZ, MD, RU, TJ, TM), European patent (AT, BE, CH, CY, DE, DK, ES, FI, FR, GB, GR, IE, IT, LU, MC, NL, PT, SE, TR), OAPI patent (BF, BJ, CF, CG, CI, CM, GA, GN, GQ, GW, ML, MR, NE, SN, TD, TG).

Published:
— with international search report
— before the expiration of the time limit for amending the claims and to be republished in the event of receipt of amendments

(88) Date of publication of the international search report:
14 November 2002

[Continued on next page]

(54) Title: VIDEO DISTRIBUTION SYSTEM



(57) Abstract: Movies are distributed to customer households in a secure format on digital media such as optical disks for playing back via proprietary set-top boxes (14). A system operator produces movie disks in large quantities and delivers the disks to widely geographically dispersed distribution agents. Agents produce copies of the disks with unique agent identification codes embedded therein, and distribute the disks to local customers who have compatible playback devices. When customers view movies, information identifying the movie and a distribution agent who is responsible for the movie being distributed to that customer are communicated to the central computer of the system operator (20). The content providers are then paid royalties due and responsible distribution agents are compensated.



WO 02/065750 A3



For two-letter codes and other abbreviations, refer to the "Guidance Notes on Codes and Abbreviations" appearing at the beginning of each regular issue of the PCT Gazette.

INTERNATIONAL SEARCH REPORT

International application No.

PCT/US02/04040

A. CLASSIFICATION OF SUBJECT MATTER

IPC(7) : G06F 17/60
 US CL : 705/1

According to International Patent Classification (IPC) or to both national classification and IPC

B. FIELDS SEARCHED

Minimum documentation searched (classification system followed by classification symbols)
 U.S. : 705/1; 348/3; 380/228

Documentation searched other than minimum documentation to the extent that such documents are included in the fields searched

Electronic data base consulted during the international search (name of data base and, where practicable, search terms used)
 movie, movies, digital, disks, distribut\$, reader, recorded, copy, secure, agent, customer, identification, codes.

C. DOCUMENTS CONSIDERED TO BE RELEVANT

Category *	Citation of document, with indication, where appropriate, of the relevant passages	Relevant to claim No.
X,E	US 2002/0057799 A1 (KOHNO) 16 May 2002 (16.05.2002); see abstract; page 1, paragraphs 20-22; pages 1-2, paragraph 23; page 2, paragraphs 24-26.	1-80
A,E	US 2002/0073038 A1 (OSHIMA et al.) 13 June 2002 (13.06.2002); see abstract; page 1, paragraphs 2-4.	1-80
X	US 5,619,247 A (RUSSO) 08 April 1997 (08.04.1997); see abstract; column 1, lines 5-9; column 3, lines 3-28.	1-80
X	US 5,915,018 A (AUCSMITH) 22 June 1999 (22.06.1999); see abstract; column 1, lines 6-10; column 2, lines 46-67.	1-80
X	US 6,025,868 A (RUSSO) 15 February 2000 (15.02.2000); see abstract; column 1, lines 7-11.	1-80
A	US 6,081,785 A (OSHIMA et al.) 27 June 2000 (27.06.2000); see abstract; column 1, lines 12-33.	1-80
A,P	JPO2002015333 A (SAKAMOTO) 18 January 2002 (18.01.2002); see abstract.	1-80

Further documents are listed in the continuation of Box C.

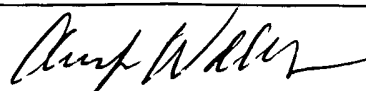
See patent family annex.

* Special categories of cited documents:		
"A" document defining the general state of the art which is not considered to be of particular relevance	"T"	later document published after the international filing date or priority date and not in conflict with the application but cited to understand the principle or theory underlying the invention
"E" earlier application or patent published on or after the international filing date	"X"	document of particular relevance; the claimed invention cannot be considered novel or cannot be considered to involve an inventive step when the document is taken alone
"L" document which may throw doubts on priority claim(s) or which is cited to establish the publication date of another citation or other special reason (as specified)	"Y"	document of particular relevance; the claimed invention cannot be considered to involve an inventive step when the document is combined with one or more other such documents, such combination being obvious to a person skilled in the art
"O" document referring to an oral disclosure, use, exhibition or other means		
"P" document published prior to the international filing date but later than the priority date claimed	"&"	document member of the same patent family

Date of the actual completion of the international search
 16 June 2002 (16.06.2002)

Date of mailing of the international search report
18 SEP 2002

Name and mailing address of the ISA/US
 Commissioner of Patents and Trademarks
 Box PCT
 Washington, D.C. 20231
 Facsimile No. (703)305-3230

Authorized officer
 Emanuel Todd Voeltz 
 Telephone No. 703-305-3900