

(19) World Intellectual Property Organization  
International Bureau



(43) International Publication Date  
22 November 2007 (22.11.2007)

PCT

(10) International Publication Number  
**WO 2007/133655 A3**

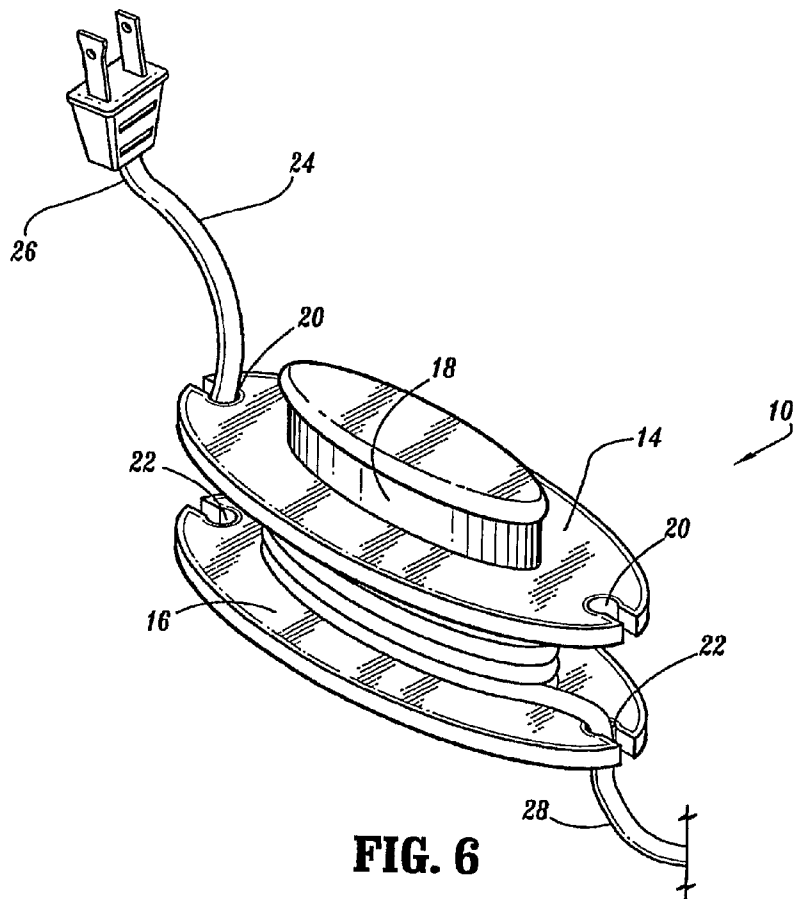
- (51) International Patent Classification:  
*H01R 13/72* (2006.01)
- (21) International Application Number:  
PCT/US2007/011341
- (22) International Filing Date: 10 May 2007 (10.05.2007)
- (25) Filing Language: English
- (26) Publication Language: English
- (30) Priority Data:  
11/431,692 10 May 2006 (10.05.2006) US
- (71) Applicant (for all designated States except US): **CONAIR CORPORATION** [US/US]; One Cummings Point Road, Stamford, CT 06902 (US).
- (72) Inventor; and
- (75) Inventor/Applicant (for US only): **VALLE, Loides Lopez** [US/US]; 14 Albion Oval West, Mahopac, NY 10541 (US).
- (74) Agent: **CRUZ, Lawrence**; Conair Corporation, One Cummings Point Road, Stamford, CT 06902 (US).

- (81) Designated States (unless otherwise indicated, for every kind of national protection available): AE, AG, AL, AM, AT, AU, AZ, BA, BB, BG, BH, BR, BW, BY, BZ, CA, CH, CN, CO, CR, CU, CZ, DE, DK, DM, DZ, EC, EE, EG, ES, FI, GB, GD, GE, GH, GM, GT, HN, HR, HU, ID, IL, IN, IS, JP, KE, KG, KM, KN, KP, KR, KZ, LA, LC, LK, LR, LS, LT, LU, LY, MA, MD, MG, MK, MN, MW, MX, MY, MZ, NA, NG, NI, NO, NZ, OM, PG, PH, PL, PT, RO, RS, RU, SC, SD, SE, SG, SK, SL, SM, SV, SY, TJ, TM, TN, TR, TT, TZ, UA, UG, US, UZ, VC, VN, ZA, ZM, ZW.
- (84) Designated States (unless otherwise indicated, for every kind of regional protection available): ARIPO (BW, GH, GM, KE, LS, MW, MZ, NA, SD, SL, SZ, TZ, UG, ZM, ZW), Eurasian (AM, AZ, BY, KG, KZ, MD, RU, TJ, TM), European (AT, BE, BG, CH, CY, CZ, DE, DK, EE, ES, FI, FR, GB, GR, HU, IE, IS, IT, LT, LU, LV, MC, MT, NL, PL, PT, RO, SE, SI, SK, TR), OAPI (BF, BJ, CF, CG, CI, CM, GA, GN, GQ, GW, ML, MR, NE, SN, TD, TG).

Published:  
— with international search report

[Continued on next page]

(54) Title: CORD RETENTION DEVICE



(57) Abstract: A device (10) for storing and retaining a cord (24) or cord-like article has a core (12) adapted to retain a cord (24) that is wound around it; a pair of flanges (14, 16) to maintain the cord (24) on the core (12); and a handle extension (18) for grasping the device (10).

WO 2007/133655 A3



— *before the expiration of the time limit for amending the claims and to be republished in the event of receipt of amendments*

**(88) Date of publication of the international search report:**  
20 November 2008

# INTERNATIONAL SEARCH REPORT

International application No.

PCT/US07/11341

<b>A. CLASSIFICATION OF SUBJECT MATTER</b> IPC:       H01R 13/72( 2006.01)  USPC:       439/501 According to International Patent Classification (IPC) or to both national classification and IPC		
<b>B. FIELDS SEARCHED</b> Minimum documentation searched (classification system followed by classification symbols) U.S. : 439/501  Documentation searched other than minimum documentation to the extent that such documents are included in the fields searched  Electronic data base consulted during the international search (name of data base and, where practicable, search terms used)		
<b>C. DOCUMENTS CONSIDERED TO BE RELEVANT</b>		
Category *	Citation of document, with indication, where appropriate, of the relevant passages	Relevant to claim No.
X	US 5,957,401A (O'Donnell) 28 September 1999 (09.28.1999), entier document and Fig. 1b	1-5
<input type="checkbox"/> Further documents are listed in the continuation of Box C. <input type="checkbox"/> See patent family annex.		
* Special categories of cited documents:		
"A" document defining the general state of the art which is not considered to be of particular relevance	"T" later document published after the international filing date or priority date and not in conflict with the application but cited to understand the principle or theory underlying the invention	
"E" earlier application or patent published on or after the international filing date	"X" document of particular relevance; the claimed invention cannot be considered novel or cannot be considered to involve an inventive step when the document is taken alone	
"L" document which may throw doubts on priority claim(s) or which is cited to establish the publication date of another citation or other special reason (as specified)	"Y" document of particular relevance; the claimed invention cannot be considered to involve an inventive step when the document is combined with one or more other such documents, such combination being obvious to a person skilled in the art	
"O" document referring to an oral disclosure, use, exhibition or other means	"&" document member of the same patent family	
"P" document published prior to the international filing date but later than the priority date claimed		
Date of the actual completion of the international search 02 June 2008 (02.06.2008)	Date of mailing of the international search report <b>10 SEP 2008</b>	
Name and mailing address of the ISA/US Mail Stop PCT, Attn: ISA/US Commissioner for Patents P.O. Box 1450 Alexandria, Virginia 22313-1450 Facsimile No. (571) 273-3201	Authorized officer <i>Renee S Lusby</i> Renee S Lusby Telephone No. (703)-308-0956	