



- (51) International Patent Classification: H04W 72/04 (2009.01)
- (21) International Application Number: PCT/JP2020/035666
- (22) International Filing Date: 23 September 2020 (23.09.2020)
- (25) Filing Language: English
- (26) Publication Language: English
- (30) Priority Data: 62/905,836 25 September 2019 (25.09.2019) US
- (71) Applicant: SHARP KABUSHIKI KAISHA [JP/JP]; 1, Takumi-cho, Sakai-ku, Sakai City, Osaka, 5908522 (JP).
- (72) Inventors: AIBA, Tatsushi. YING, Kai. YOKOMAKURA, Kazunari.
- (74) Agent: HARAKENZO WORLD PATENT & TRADE-MARK; Daiwa Minamimorimachi Building, 2-6, Tenjinbashi 2-chome Kita, Kita-ku, Osaka-shi, Osaka, 5300041 (JP).
- (81) Designated States (unless otherwise indicated, for every kind of national protection available): AE, AG, AL, AM, AO, AT, AU, AZ, BA, BB, BG, BH, BN, BR, BW, BY, BZ, CA, CH, CL, CN, CO, CR, CU, CZ, DE, DJ, DK, DM, DO, DZ, EC, EE, EG, ES, FI, GB, GD, GE, GH, GM, GT, HN, HR, HU, ID, IL, IN, IR, IS, IT, JO, JP, KE, KG, KH, KN, KP, KR, KW, KZ, LA, LC, LK, LR, LS, LU, LY, MA, MD, ME, MG, MK, MN, MW, MX, MY, MZ, NA, NG, NI, NO, NZ, OM, PA, PE, PG, PH, PL, PT, QA, RO, RS, RU, RW,

(54) Title: USER EQUIPMENTS, BASE STATIONS AND METHODS FOR TRANSMISSION(S) OF A PHYSICAL UPLINK CONTROL CHANNEL (PUCCH) AND A PHYSICAL UPLINK SHARED CHANNEL (PUSCH)

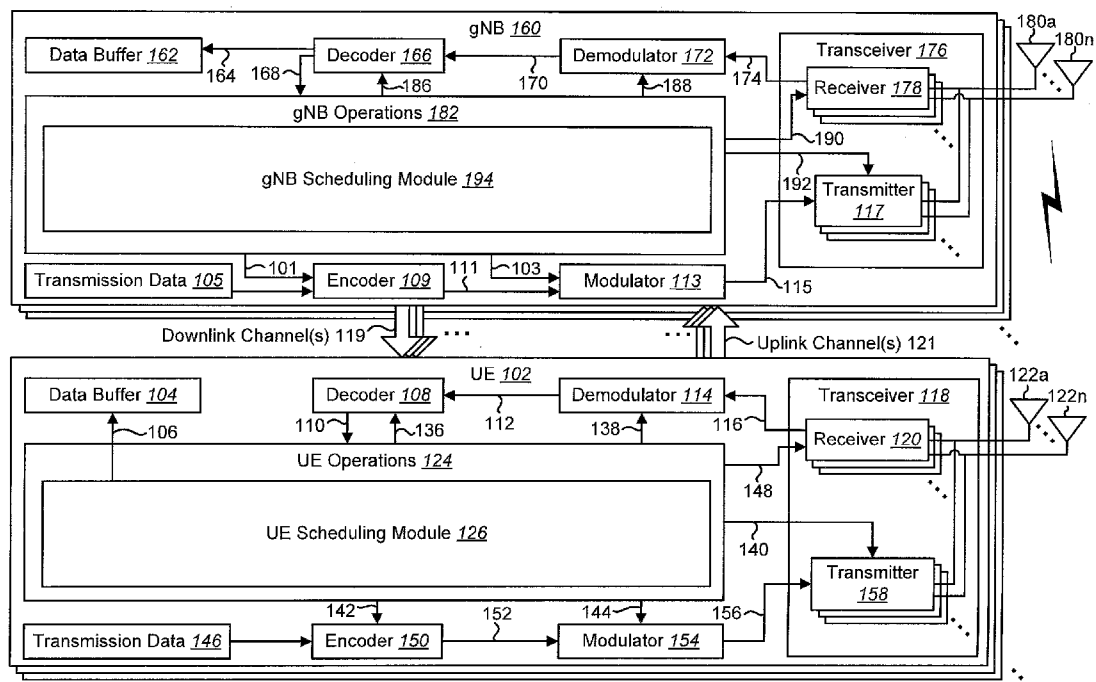


FIG. 1

(57) Abstract: A user equipment (UE) is described. The UE includes receiving circuitry configured to receive a radio resource control (RRC) message comprising information used for configuring a simultaneous transmission of a physical uplink control channel (PUCCH) and a physical uplink shared channel (PUSCH). The information is configured for a special cell. Also, the information is associated with an index of an uplink bandwidth part (UL BWP). The UE further includes transmitting circuitry configured to perform the simultaneous transmission of the PUCCH and the PUSCH based on the information. The transmission of the PUCCH is performed on an UL BWP of the special cell. Also, the transmission of the PUSCH is performed on an UL BWP identified by the index of the UL BWP associated with the information.



SA, SC, SD, SE, SG, SK, SL, ST, SV, SY, TH, TJ, TM, TN,
TR, TT, TZ, UA, UG, US, UZ, VC, VN, WS, ZA, ZM, ZW.

- (84) Designated States** (*unless otherwise indicated, for every kind of regional protection available*): ARIPO (BW, GH, GM, KE, LR, LS, MW, MZ, NA, RW, SD, SL, ST, SZ, TZ, UG, ZM, ZW), Eurasian (AM, AZ, BY, KG, KZ, RU, TJ, TM), European (AL, AT, BE, BG, CH, CY, CZ, DE, DK, EE, ES, FI, FR, GB, GR, HR, HU, IE, IS, IT, LT, LU, LV, MC, MK, MT, NL, NO, PL, PT, RO, RS, SE, SI, SK, SM, TR), OAPI (BF, BJ, CF, CG, CI, CM, GA, GN, GQ, GW, KM, ML, MR, NE, SN, TD, TG).

Declarations under Rule 4.17:

- *as to applicant's entitlement to apply for and be granted a patent (Rule 4.17(ii))*
- *as to the applicant's entitlement to claim the priority of the earlier application (Rule 4.17(iii))*

Published:

- *with international search report (Art. 21(3))*

Description

Title of Invention: USER EQUIPMENTS, BASE STATIONS AND METHODS FOR TRANSMISSION(S) OF A PHYSICAL UPLINK CONTROL CHANNEL (PUCCH) AND A PHYSICAL UPLINK SHARED CHANNEL (PUSCH)

Technical Field

[0001] The present disclosure relates generally to communication systems. More specifically, the present disclosure relates to user equipment (UE), base stations, and methods for transmission(s) of a physical uplink control channel (PUCCH) and a physical uplink shared channel (PUSCH).

Background Art

[0002] Wireless communication devices have become smaller and more powerful in order to meet consumer needs and to improve portability and convenience. Consumers have become dependent upon wireless communication devices and have come to expect reliable service, expanded areas of coverage and increased functionality. A wireless communication system may provide communication for a number of wireless communication devices, each of which may be serviced by a base station. A base station may be a device that communicates with wireless communication devices.

[0003] As wireless communication devices have advanced, improvements in communication capacity, speed, flexibility and/or efficiency have been sought. However, improving communication capacity, speed, flexibility and/or efficiency may present certain problems.

[0004] For example, wireless communication devices may communicate with one or more devices using a communication structure. However, the communication structure used may only offer limited flexibility and/or efficiency. As illustrated by this discussion, systems and methods that improve communication flexibility and/or efficiency may be beneficial.

Summary of Invention

[0005] In one example, a user equipment (UE) comprising: receiving circuitry configured to receive a radio resource control (RRC) message comprising information used for configuring a simultaneous transmission of a physical uplink control channel (PUCCH) and a physical uplink shared channel (PUSCH), the information being configured for a special cell, the information being associated with an index of an uplink bandwidth part (UL BWP), and transmitting circuitry configured to perform the simultaneous transmission of the PUCCH and the PUSCH based on the information, the

transmission of the PUCCH being performed on an UL BWP of the special cell, the transmission of the PUSCH being performed on an UL BWP identified by the index of the UL BWP associated with the information.

[0006] In one example, the base station apparatus comprising: transmitting circuitry configured to transmit a radio resource control (RRC) message comprising information used for configuring a simultaneous transmission of a physical uplink control channel (PUCCH) and a physical uplink shared channel (PUSCH), the information being configured for a special cell, the information being associated with an index of an uplink bandwidth part (UL BWP), and receiving circuitry configured to receive the simultaneous transmission of the PUCCH and the PUSCH based on the information, the transmission of the PUCCH being performed on an UL BWP of the special cell, the transmission of the PUSCH being performed on an UL BWP identified by the index of the UL BWP associated with the information.

[0007] In one example, a communication method of a user equipment comprising: receiving a radio resource control (RRC) message comprising information used for configuring a simultaneous transmission of a physical uplink control channel (PUCCH) and a physical uplink shared channel (PUSCH), the information being configured for a special cell, the information being associated with an index of an uplink bandwidth part (UL BWP), and performing the simultaneous transmission of the PUCCH and the PUSCH based on the information, the transmission of the PUCCH being performed on an UL BWP of the special cell, the transmission of the PUSCH being performed on an UL BWP identified by the index of the UL BWP associated with the information.

[0008] In one example, a communication method of the base station apparatus comprising: transmitting a radio resource control (RRC) message comprising information used for configuring a simultaneous transmission of a physical uplink control channel (PUCCH) and a physical uplink shared channel (PUSCH), the information being configured for a special cell, the information being associated with an index of an uplink bandwidth part (UL BWP), and receiving the simultaneous transmission of the PUCCH and the PUSCH based on the information, the transmission of the PUCCH being performed on an UL BWP of the special cell, the transmission of the PUSCH being performed on an UL BWP identified by the index of the UL BWP associated with the information.

Brief Description of Drawings

[0009] [fig.1]Figure 1 is a block diagram illustrating one implementation of one or more gNBs and one or more UEs in which systems and methods for signaling may be implemented.

[fig.2]Figure 2 shows examples of multiple numerologies.

[fig.3]Figure 3 is a diagram illustrating one example of a resource grid and resource block.

[fig.4]Figure 4 shows examples of resource regions.

[fig.5]Figure 5 illustrates an example of uplink transmissions.

[fig.6]Figure 6 illustrates an example of a prioritization of uplink transmissions.

[fig.7]Figure 7 illustrates various components that may be utilized in a UE.

[fig.8]Figure 8 illustrates various components that may be utilized in a gNB.

[fig.9]Figure 9 is a block diagram illustrating one implementation of a UE in which one or more of the systems and/or methods described herein may be implemented.

[fig.10]Figure 10 is a block diagram illustrating one implementation of a gNB in which one or more of the systems and/or methods described herein may be implemented.

[fig.11]Figure 11 is a block diagram illustrating one implementation of a gNB.

[fig.12]Figure 12 is a block diagram illustrating one implementation of a UE.

Description of Embodiments

- [0010] A user equipment (UE) is described. The UE includes receiving circuitry configured to receive a radio resource control (RRC) message comprising information used for configuring a simultaneous transmission of a physical uplink control channel (PUCCH) and a physical uplink shared channel (PUSCH). The information is configured for a special cell. The information is associated with an index of an uplink bandwidth part (UL BWP). The UE further includes transmitting circuitry configured to perform the simultaneous transmission of the PUCCH and the PUSCH based on the information. The transmission of the PUCCH is performed on an UL BWP of the special cell. The transmission of the PUSCH is performed on an UL BWP identified by the index of the UL BWP associated with the information.
- [0011] A base station apparatus is described. The base station apparatus includes transmitting circuitry configured to transmit a radio resource control (RRC) message comprising information used for configuring a simultaneous transmission of a physical uplink control channel (PUCCH) and a physical uplink shared channel (PUSCH). The information is configured for a special cell. The information is associated with an index of an uplink bandwidth part (UL BWP). The base station apparatus further includes receiving circuitry configured to receive the simultaneous transmission of the PUCCH and the PUSCH based on the information. The transmission of the PUCCH is performed on an UL BWP of the special cell. The transmission of the PUSCH is performed on an UL BWP identified by the index of the UL BWP associated with the information.
- [0012] A communication method of a user equipment is described. The communication method includes receiving a radio resource control (RRC) message comprising in-

formation used for configuring a simultaneous transmission of a physical uplink control channel (PUCCH) and a physical uplink shared channel (PUSCH). The information is configured for a special cell. The information being associated with an index of an uplink bandwidth part (UL BWP). The communication method further includes performing the simultaneous transmission of the PUCCH and the PUSCH based on the information. The transmission of the PUCCH is performed on an UL BWP of the special cell. The transmission of the PUSCH is performed on an UL BWP identified by the index of the UL BWP associated with the information.

- [0013] A communication method of a base station apparatus is described. The communication method includes transmitting a radio resource control (RRC) message comprising information used for configuring a simultaneous transmission of a physical uplink control channel (PUCCH) and a physical uplink shared channel (PUSCH). The information is configured for a special cell. The information is associated with an index of an uplink bandwidth part (UL BWP). The communication method further includes receiving the simultaneous transmission of the PUCCH and the PUSCH based on the information. The transmission of the PUCCH is performed on an UL BWP of the special cell. The transmission of the PUSCH is performed on an UL BWP identified by the index of the UL BWP associated with the information.
- [0014] The 3rd Generation Partnership Project, also referred to as “3GPP,” is a collaboration agreement that aims to define globally applicable technical specifications and technical reports for third and fourth generation wireless communication systems. The 3GPP may define specifications for next generation mobile networks, systems and devices.
- [0015] 3GPP Long Term Evolution (LTE) is the name given to a project to improve the Universal Mobile Telecommunications System (UMTS) mobile phone or device standard to cope with future requirements. In one aspect, UMTS has been modified to provide support and specification for the Evolved Universal Terrestrial Radio Access (E-UTRA) and Evolved Universal Terrestrial Radio Access Network (E-UTRAN).
- [0016] At least some aspects of the systems and methods disclosed herein may be described in relation to the 3GPP LTE, LTE-Advanced (LTE-A), 5G New Radio (5th Generation NR) and other standards (e.g., 3GPP Releases 8, 9, 10, 11, 12, 13, 14 and/or 15). However, the scope of the present disclosure should not be limited in this regard. At least some aspects of the systems and methods disclosed herein may be utilized in other types of wireless communication systems.
- [0017] A wireless communication device may be an electronic device used to communicate voice and/or data to a base station, which in turn may communicate with a network of devices (e.g., public switched telephone network (PSTN), the Internet, etc.). In describing systems and methods herein, a wireless communication device may alternatively be referred to as a mobile station, a UE, an access terminal, a subscriber

station, a mobile terminal, a remote station, a user terminal, a terminal, a subscriber unit, a mobile device, etc. Examples of wireless communication devices include cellular phones, smart phones, personal digital assistants (PDAs), laptop computers, netbooks, e-readers, wireless modems, etc. In 3GPP specifications, a wireless communication device is typically referred to as a UE. However, as the scope of the present disclosure should not be limited to the 3GPP standards, the terms “UE” and “wireless communication device” may be used interchangeably herein to mean the more general term “wireless communication device.” A UE may also be more generally referred to as a terminal device.

[0018] In 3GPP specifications, a base station is typically referred to as a Node B, an evolved Node B (eNB), a gNB, a home enhanced or evolved Node B (HeNB) or some other similar terminology. As the scope of the disclosure should not be limited to 3GPP standards, the terms “base station,” “Node B,” “eNB,” “gNB” and “HeNB” may be used interchangeably herein to mean the more general term “base station.” Furthermore, the term “base station” may be used to denote an access point. An access point may be an electronic device that provides access to a network (e.g., Local Area Network (LAN), the Internet, etc.) for wireless communication devices. The term “communication device” may be used to denote both a wireless communication device and/or a base station. An eNB may also be more generally referred to as a base station device.

[0019] It should be noted that as used herein, a “cell (e.g., serving cell)” may be any communication channel that is specified by standardization or regulatory bodies to be used for International Mobile Telecommunications-Advanced (IMT-Advanced) and all of it or a subset of it may be adopted by 3GPP as licensed bands (e.g., frequency bands) to be used for communication between an eNB and a UE. It should also be noted that in E-UTRA and E-UTRAN overall description, as used herein, a “cell (e.g., serving cell)” may be defined as “combination of downlink and optionally uplink resources.” The linking between the carrier frequency of the downlink resources and the carrier frequency of the uplink resources may be indicated in the system information transmitted on the downlink resources.

[0020] The 5th generation communication systems, dubbed NR (New Radio technologies) by 3GPP, envision the use of time/frequency/space resources to allow for services, such as eMBB (enhanced Mobile Broad-Band) transmission, URLLC (Ultra Reliable and Low Latency Communication) transmission, and mMTC (massive Machine Type Communication) transmission. And, in NR, transmissions for different services may be specified (e.g., configured) for one or more bandwidth parts (BWPs) in a serving cell and/or for one or more serving cells. A user equipment (UE) may perform a reception(s) of a downlink signal(s) and/or a transmission(s) of an uplink signal(s) in

the BWP(s) of the serving cell(s).

- [0021] In order for the services to use the time, frequency, and/or space resources efficiently, it would be useful to be able to efficiently control downlink and/or uplink transmissions. Therefore, a procedure for efficient control of downlink and/or uplink transmissions should be designed. Accordingly, a detailed design of a procedure for downlink and/or uplink transmissions may be beneficial.
- [0022] Various examples of the systems and methods disclosed herein are now described with reference to the Figures, where like reference numbers may indicate functionally similar elements. The systems and methods as generally described and illustrated in the Figures herein could be arranged and designed in a wide variety of different implementations. Thus, the following more detailed description of several implementations, as represented in the Figures, is not intended to limit scope, as claimed, but is merely representative of the systems and methods.
- [0023] Figure 1 is a block diagram illustrating one implementation of one or more gNBs 160 and one or more UEs 102 in which systems and methods for signaling may be implemented. The one or more UEs 102 communicate with one or more gNBs 160 using one or more physical antennas 122a-n. For example, a UE 102 transmits electromagnetic signals to the gNB 160 and receives electromagnetic signals from the gNB 160 using the one or more physical antennas 122a-n. The gNB 160 communicates with the UE 102 using one or more physical antennas 180a-n. In some implementations, the term “base station,” “eNB,” and/or “gNB” may refer to and/or may be replaced by the term “Transmission Reception Point (TRP).” For example, the gNB 160 described in connection with Figure 1 may be a TRP in some implementations.
- [0024] The UE 102 and the gNB 160 may use one or more channels and/or one or more signals 119, 121 to communicate with each other. For example, the UE 102 may transmit information or data to the gNB 160 using one or more uplink channels 121. Examples of uplink channels 121 include a physical shared channel (e.g., PUSCH (physical uplink shared channel)) and/or a physical control channel (e.g., PUCCH (physical uplink control channel)), etc. The one or more gNBs 160 may also transmit information or data to the one or more UEs 102 using one or more downlink channels 119, for instance. Examples of downlink channels 119 include a physical shared channel (e.g., PDSCH (physical downlink shared channel) and/or a physical control channel (PDCCH (physical downlink control channel)), etc. Other kinds of channels and/or signals may be used.
- [0025] Each of the one or more UEs 102 may include one or more transceivers 118, one or more demodulators 114, one or more decoders 108, one or more encoders 150, one or more modulators 154, a data buffer 104 and a UE operations module 124. For example, one or more reception and/or transmission paths may be implemented in the

UE 102. For convenience, only a single transceiver 118, decoder 108, demodulator 114, encoder 150 and modulator 154 are illustrated in the UE 102, though multiple parallel elements (e.g., transceivers 118, decoders 108, demodulators 114, encoders 150 and modulators 154) may be implemented.

[0026] The transceiver 118 may include one or more receivers 120 and one or more transmitters 158. The one or more receivers 120 may receive signals from the gNB 160 using one or more antennas 122a-n. For example, the receiver 120 may receive and downconvert signals to produce one or more received signals 116. The one or more received signals 116 may be provided to a demodulator 114. The one or more transmitters 158 may transmit signals to the gNB 160 using one or more physical antennas 122a-n. For example, the one or more transmitters 158 may upconvert and transmit one or more modulated signals 156.

[0027] The demodulator 114 may demodulate the one or more received signals 116 to produce one or more demodulated signals 112. The one or more demodulated signals 112 may be provided to the decoder 108. The UE 102 may use the decoder 108 to decode signals. The decoder 108 may produce decoded signals 110, which may include a UE-decoded signal 106 (also referred to as a first UE-decoded signal 106). For example, the first UE-decoded signal 106 may comprise received payload data, which may be stored in a data buffer 104. Another signal included in the decoded signals 110 (also referred to as a second UE-decoded signal 110) may comprise overhead data and/or control data. For example, the second UE-decoded signal 110 may provide data that may be used by the UE operations module 124 to perform one or more operations.

[0028] In general, the UE operations module 124 may enable the UE 102 to communicate with the one or more gNBs 160. The UE operations module 124 may include one or more of a UE scheduling module 126.

[0029] The UE scheduling module 126 may perform downlink reception(s) and uplink transmission(s). The downlink reception(s) include reception of data, reception of downlink control information, and/or reception of downlink reference signals. Also, the uplink transmissions include transmission of data, transmission of uplink control information, and/or transmission of uplink reference signals.

[0030] In a radio communication system, physical channels (uplink physical channels and/or downlink physical channels) may be defined. The physical channels (uplink physical channels and/or downlink physical channels) may be used for transmitting information that is delivered from a higher layer.

[0031] For example, in uplink, a PRACH (Physical Random Access Channel) may be defined. In some approaches, the PRACH (e.g., the random access procedure) may be used for an initial access connection establishment procedure, a handover procedure, a connection re-establishment, a timing adjustment (e.g., a synchronization for an uplink

transmission, for UL synchronization) and/or for requesting an uplink shared channel (UL-SCH) resource (e.g., the uplink physical shared channel (PSCH) (e.g., PUSCH) resource).

[0032] In another example, a physical uplink control channel (PUCCH) may be defined. The PUCCH may be used for transmitting uplink control information (UCI). The UCI may include hybrid automatic repeat request-acknowledgement (HARQ-ACK), channel state information (CSI) and/or a scheduling request (SR). The HARQ-ACK is used for indicating a positive acknowledgement (ACK) or a negative acknowledgment (NACK) for downlink data (e.g., Transport block(s), Medium Access Control Protocol Data Unit (MAC PDU) and/or Downlink Shared Channel (DL-SCH)). The CSI is used for indicating state of downlink channel (e.g., a downlink signal(s)). The CSI may include aperiodic CSI (e.g., transmitted on the PUSCH), semi-persistent CSI (e.g., transmitted on the PUSCH and/or the PUCCH), and/or periodic CSI (e.g., transmitted on the PUSCH and/or the PUCCH). Also, the SR is used for requesting resources of uplink data (e.g., Transport block(s), MAC PDU and/or Uplink Shared Channel (UL-SCH)).

[0033] Here, the DL-SCH and/or the UL-SCH may be a transport channel that is used in the MAC layer. Also, a transport block(s) (TB(s)) and/or a MAC PDU may be defined as a unit(s) of the transport channel used in the MAC layer. The transport block may be defined as a unit of data delivered from the MAC layer to the physical layer. The MAC layer may deliver the transport block to the physical layer (e.g., the MAC layer delivers the data as the transport block to the physical layer). In the physical layer, the transport block may be mapped to one or more codewords.

[0034] In downlink, a physical downlink control channel (PDCCH) may be defined. The PDCCH may be used for transmitting downlink control information (DCI). Here, more than one DCI formats may be defined for DCI transmission on the PDCCH. Namely, fields may be defined in the DCI format(s), and the fields are mapped to the information bits (e.g., DCI bits).

[0035] For example, a DCI format 1_0 that is used for scheduling of the PDSCH in the cell may be defined as the DCI format for the downlink. Also, as described herein one or more Radio Network Temporary Identifiers (e.g., the Cell RNTI(s) (C-RNTI(s)), the Configured Scheduling RNTI(s) (CS-RNTI(s)), the System Information RNTI(s) (SI-RNTI(s)), the Random Access RNTI(s) (RA-RNTI(s)), the MCS-C-RNTI (Modulation and Coding Scheme-C-RNTI), and/or a first RNTI may be used to transmit the DCI format 1_0. Also, the DCI format 1_0 may be monitored (e.g., transmitted, mapped) in the Common Search Space (CSS) and/or the UE Specific Search space (USS). Alternatively, the DCI format 1_0 may be monitored (e.g., transmitted, mapped) in the CSS only.

[0036] For example, the DCI included in the DCI format 1_0 may be a frequency domain

resource assignment (e.g., for the PDSCH). Additionally or alternatively, the DCI included in the DCI format 1_0 may be a time domain resource assignment (e.g., for the PDSCH). Additionally or alternatively, the DCI included in the DCI format 1_0 may be a modulation and coding scheme (e.g., for the PDSCH). Additionally or alternatively, or alternatively, the DCI included in the DCI format 1_0 may be a new data indicator. Additionally or alternatively, the DCI included in the DCI format 1_0 may be a TPC (e.g., Transmission Power Control) command for scheduled PUCCH. Additionally or alternatively, the DCI included in the DCI format 1_0 may be a PUCCH resource indicator. Additionally or alternatively, the DCI included in the DCI format 1_0 may be a PDSCH-to-HARQ feedback timing indicator. Additionally or alternatively, the DCI included in the DCI format 1_0 may be a priority indicator.

[0037] Additionally or alternatively, a DCI format 1_1 that is used for scheduling of the PDSCH in the cell may be defined as the DCI format for the downlink. Additionally or alternatively, the C-RNTI, the CS-RNTI, the MCS-C-RNTI, and/or the first RNTI may be used to transmit the DCI format 1_1. Additionally or alternatively, the DCI format 1_1 may be monitored (e.g., transmitted and/or mapped) in the CSS and/or the USS.

[0038] For example, the DCI included in the DCI format 1_1 may be a BWP indicator (e.g., for the PDSCH). Additionally or alternatively, the DCI included in the DCI format 1_1 may be frequency domain resource assignment (e.g., for the PDSCH). Additionally or alternatively, the DCI included in the DCI format 1_1 may be a time domain resource assignment (e.g., for the PDSCH). Additionally or alternatively, the DCI included in the DCI format 1_1 may be a modulation and coding scheme (e.g., for the PDSCH). Additionally or alternatively, the DCI included in the DCI format 1_1 may be a new data indicator. Additionally or alternatively, the DCI included in the DCI format 1_1 may be a TPC command for scheduled PUCCH. Additionally or alternatively, the DCI included in the DCI format 1_1 may be a CSI request that is used for requesting (e.g., triggering) transmission of the CSI (e.g., CSI reporting (e.g., aperiodic CSI reporting)). Additionally or alternatively, the DCI included in the DCI format 1_1 may be a PUCCH resource indicator. Additionally or alternatively, the DCI included in the DCI format 1_1 may be a PDSCH-to-HARQ feedback timing indicator. Additionally or alternatively, the DCI included in the DCI format 1_1 may be a priority indicator.

[0039] Additionally or alternatively, a DCI format 1_X that is used for scheduling of the PDSCH in the cell may be defined as the DCI format for the downlink. Additionally or alternatively, the C-RNTI, the CS-RNTI, the MCS-C-RNTI, and/or the first RNTI may be used to transmit the DCI format 1_X. Additionally or alternatively, the DCI format 1_X may be monitored (e.g., transmitted and/or mapped) in the CSS and/or the USS.

[0040] For example, the DCI included in the DCI format 1_X may be a BWP indicator (e.g., for the PDSCH). Additionally or alternatively, the DCI included in the DCI format

1_X may be frequency domain resource assignment (e.g., for the PDSCH). Additionally or alternatively, the DCI included in the DCI format 1_X may be a time domain resource assignment (e.g., for the PDSCH). Additionally or alternatively, the DCI included in the DCI format 1_X may be a modulation and coding scheme (e.g., for the PDSCH). Additionally or alternatively, the DCI included in the DCI format 1_X may be a new data indicator. Additionally or alternatively, the DCI included in the DCI format 1_X may be a TPC command for scheduled PUCCH. Additionally or alternatively, the DCI included in the DCI format 1_X may be a CSI request that is used for requesting (e.g., triggering) transmission of the CSI (e.g., CSI reporting (e.g., aperiodic CSI reporting)). Additionally or alternatively, the DCI included in the DCI format 1_X may be a PUCCH resource indicator. Additionally or alternatively, the DCI included in the DCI format 1_X may be a PDSCH-to-HARQ feedback timing indicator. Additionally or alternatively, the DCI included in the DCI format 1_X may be a priority indicator.

[0041] Additionally or alternatively, a DCI format 0_0 that is used for scheduling of the PUSCH in the cell may be defined as the DCI format for the uplink. Additionally or alternatively, the C-RNTI, the CS-RNTI, the Temporary C-RNTI, the MCS-C-RNTI and/or the first RNTI may be used to transmit the DCI format 0_0. Additionally or alternatively, the DCI format 0_0 may be monitored (e.g., transmitted, mapped) in the CSS and/or the USS. Alternatively, the DCI format 0_0 may be monitored (e.g., transmitted, mapped) in the CSS only.

[0042] For example, the DCI included in the DCI format 0_0 may be a frequency domain resource assignment (e.g., for the PUSCH). Additionally or alternatively, the DCI included in the DCI format 0_0 may be a time domain resource assignment (e.g., for the PUSCH). Additionally or alternatively, the DCI included in the DCI format 0_0 may be a modulation and coding scheme (e.g., for the PUSCH). Additionally or alternatively, the DCI included in the DCI format 0_0 may be a new data indicator. Additionally or alternatively, the DCI included in the DCI format 0_0 may be a redundancy version. Additionally or alternatively, the DCI included in the DCI format 0_0 may be a TPC command for scheduled PUSCH. Additionally or alternatively, the DCI included in the DCI format 0_0 may be a priority indicator.

[0043] Additionally or alternatively, a DCI format 0_1 that is used for scheduling of the PUSCH in the cell may be defined as the DCI format for the uplink. Here, the DCI format 0_1 may be described as a first DCI format 601. Additionally or alternatively, the C-RNTI, the CS-RNTI, and/or the MCS-C-RNTI may be used to transmit the DCI format 0_1 (i.e., the first DCI format 601). Namely, the first DCI format 601 may be the DCI format 0_1 with the CRC scrambled by the C-RNTI, CS-RNTI, and/or the MCS-C-RNTI. Here, as described below, the DCI format 0_1 with the CRC scrambled

by the MCS-C-RNTI and/or the first RNTI may be a second DCI format 603. Additionally or alternatively, the DCI format 0_1 (i.e., the first DCI format 601) may be monitored (e.g., transmitted, mapped) in the CSS and/or the USS.

[0044] For example, the DCI included in the DCI format 0_1 may be a BWP indicator (e.g., for the PUSCH). Additionally or alternatively, the DCI included in the DCI format 0_1 may be a frequency domain resource assignment (e.g., for the PUSCH). Additionally or alternatively, the DCI included in the DCI format 0_1 may be a time domain resource assignment (e.g., for the PUSCH). Additionally or alternatively, the DCI included in the DCI format 0_1 may be a modulation and coding scheme (e.g., for the PUSCH). Additionally or alternatively, the DCI included in the DCI format 0_1 may be a new data indicator. Additionally or alternatively, the DCI included in the DCI format 0_1 may be a TPC command for scheduled PUSCH. Additionally or alternatively, the DCI included in the DCI format 0_1 may be a CSI request that is used for requesting the CSI reporting. Additionally or alternatively, the DCI included in the DCI format 0_1 may be a priority indicator.

[0045] Additionally or alternatively, a DCI format 0_Y that is used for scheduling of the PUSCH in the cell may be defined as the DCI format for the uplink. Additionally or alternatively, the C-RNTI, the CS-RNTI, the MCS-C-RNTI, and/or the first RNTI may be used to transmit the DCI format 0_Y. Additionally or alternatively, the DCI format 0_Y may be monitored (e.g., transmitted, mapped) in the CSS and/or the USS.

[0046] For example, the DCI included in the DCI format 0_Y may be a BWP indicator (e.g., for the PUSCH). Additionally or alternatively, the DCI included in the DCI format 0_Y may be a frequency domain resource assignment (e.g., for the PUSCH). Additionally or alternatively, the DCI included in the DCI format 0_Y may be a time domain resource assignment (e.g., for the PUSCH). Additionally or alternatively, the DCI included in the DCI format 0_Y may be a modulation and coding scheme (e.g., for the PUSCH). Additionally or alternatively, the DCI included in the DCI format 0_Y may be a new data indicator. Additionally or alternatively, the DCI included in the DCI format 0_Y may be a TPC command for scheduled PUSCH. Additionally or alternatively, the DCI included in the DCI format 0_Y may be a CSI request that is used for requesting the CSI reporting. Additionally or alternatively, the DCI included in the DCI format 0_Y may be a priority indicator.

[0047] Here, as described above, a RNTI(s) (e.g., a Radio Network Temporary Identifier(s)) assigned to the UE 102 may be used for transmission of DCI (e.g., the DCI format(s), DL control channel(s) (e.g., the PDCCH(s))). Namely, the gNB 160 may transmit, (e.g., by using the RRC message), information used for configuring (e.g., assigning) the RNTI(s) to the UE 102.

[0048] For example, CRC (Cyclic Redundancy Check) parity bits (also referred to simply as

CRC), which are generated based on DCI, are attached to DCI, and, after attachment, the CRC parity bits are scrambled by the RNTI(s). The UE 102 may attempt to decode (e.g., blind decoding, monitor, detect) DCI to which the CRC parity bits scrambled by the RNTI(s) are attached. For example, the UE 102 detects DL control channel (e.g., the PDCCH, the DCI, the DCI format(s)) based on the blind decoding. That is, the UE 102 may decode the DL control channel(s) with the CRC scrambled by the RNTI(s). In other words, the UE 102 may monitor the DL control channel(s) with the RNTI(s). For example, the UE 102 may detect the DCI format(s) with the RNTI(s).

[0049] Here, the RNTI(s) may include the C-RNTI(s) (Cell-RNTI(s)), the CS-RNTI(s) (Configured Scheduling C-RNTI(s)), the SI-RNTI(s) (System Information RNTI(s)), the RA-RNTI(s) (Random Access-RNTI(s)), the Temporary C-RNTI(s), the MCS-C-RNTI (Modulation and Coding Scheme-C-RNTI), and/or the first RNTI.

[0050] For example, the C-RNTI(s) may be a unique identification used for identifying an RRC connection and/or scheduling. Additionally or alternatively, the CS-RNTI(s) may be a unique identification used for scheduling of transmission based on a configured grant. Additionally or alternatively, the SI-RNTI may be used for identifying system information (SI) (e.g., an SI message) mapped on the BCCH and dynamically carried on DL-SCH. Additionally or alternatively, the SI-RNTI may be used for broadcasting of SI. Additionally or alternatively, the RA-RNTI may be an identification used for the random access procedure (e.g., Msg.2 transmission). Additionally or alternatively, the Temporary C-RNTI may be used for the random access procedure (e.g., scheduling of Msg.3 (re)transmission (e.g., Msg.3 PUSCH (re)transmission)). Additionally or alternatively, the MCS-C-RNTI may be a unique identification used for indicating a MCS table (e.g., an alternative MCS table) for the PDSCH and/or the PUSCH. The first RNTI may be different from the C-RNTI, the CS-RNTI, the SI-RNTI, the RA-RNTI, the Temporary C-RNTI, and/or the MCS-C-RNTI.

[0051] Here, in the random access procedure (e.g., a contention based random access procedure), the Msg.3 PUSCH transmission (e.g., an initial transmission) may be scheduled by using a random access response grant. For example, in the random access procedure, the random access response grant may be included in the PDSCH (e.g., the Msg.2 transmission). Also, in the random access procedure, the random access response grant may be used for scheduling of the PUSCH for the Msg. 3 transmission. Also, as described above, the PDCCH (i.e., the DCI format 0_0) with the CRC scrambled by the Temporary C-RNTI may be used for scheduling of the PUSCH for the Msg. 3 transmission (e.g., Msg. 3 retransmission).

[0052] Additionally or alternatively, a physical downlink shared channel (PDSCH) and a physical uplink shared channel (PUSCH) may be defined. For example, in a case that the PDSCH (e.g., the PDSCH resource) is scheduled by using the DCI format(s) for

the downlink, the UE 102 may receive the downlink data, on the scheduled PDSCH (e.g., the PDSCH resource). Additionally or alternatively, in a case that the PUSCH (e.g., the PUSCH resource) is scheduled by using the DCI format(s) for the uplink, the UE 102 transmits the uplink data, on the scheduled PUSCH (e.g., the PUSCH resource). For example, the PDSCH may be used to transmit the downlink data (e.g., DL-SCH(s), a downlink transport block(s)). Additionally or alternatively, the PUSCH may be used to transmit the uplink data (e.g., the UL-SCH(s), the uplink transport block(s), the MAC PDU).

[0053] Furthermore, the PDSCH and/or the PUSCH may be used to transmit information of a higher layer (e.g., a radio resource control (RRC)) layer, and/or a MAC layer). For example, the PDSCH (e.g., from the gNB 160 to the UE 102) and/or the PUSCH (e.g., from the UE 102 to the gNB 160) may be used to transmit a RRC message (a RRC signal). Additionally or alternatively, the PDSCH (e.g., from the gNB 160 to the UE 102) and/or the PUSCH (e.g., from the UE 102 to the gNB 160) may be used to transmit a MAC control element (a MAC CE). Here, the RRC message and/or the MAC CE are also referred to as a higher layer signal.

[0054] In some approaches, a physical broadcast channel (PBCH) may be defined. For example, the PBCH may be used for broadcasting the MIB (master information block). Here, system information may be divided into the MIB and a number of SIB(s) (system information block(s)). For example, the MIB may be used for carrying include minimum system information. Additionally or alternatively, the SIB(s) may be used for carrying system information messages.

[0055] In some approaches, in downlink, a SS (Synchronization Signal) may be defined. The SS may be used for acquiring time and/or frequency synchronization with a cell. Additionally or alternatively, the SS may be used for detecting a physical layer cell ID of the cell.

[0056] In the radio communication for uplink, UL RS(s) may be used as uplink physical signal(s). Additionally or alternatively, in the radio communication for downlink, DL RS(s) may be used as downlink physical signal(s). The uplink physical signal(s) and/or the downlink physical signal(s) may not be used to transmit information that is provided from the higher layer, but is used by a physical layer.

[0057] Here, the downlink physical channel(s) and/or the downlink physical signal(s) described herein may be assumed to be included in a downlink signal (e.g., a DL signal(s)) in some implementations for the sake of simple descriptions. Additionally or alternatively, the uplink physical channel(s) and/or the uplink physical signal(s) described herein may be assumed to be included in an uplink signal (i.e. an UL signal(s)) in some implementations for the sake of simple descriptions.

[0058] Also, in a carrier aggregation (CA), the gNB 160 and the UE 102 may communicate

with each other using one or more serving cells. Here the one or more serving cells may include one primary cell and one or more secondary cells. For example, the gNB 160 may transmit, by using the RRC message, information used for configuring one or more secondary cells to form together with the primary cell a set of serving cells. Namely, the set of serving cells may include one primary cell and one or more secondary cells. Here, the primary cell may be always activated. Also, the gNB 160 may activate one or more secondary cell within the configured secondary cells. Here, in the downlink, a carrier corresponding to the primary cell may be the downlink primary component carrier (i.e., the DL PCC), and a carrier corresponding to a secondary cell may be the downlink secondary component carrier (i.e., the DL SCC). Also, in the uplink, a carrier corresponding to the primary cell may be the uplink primary component carrier (i.e., the UL PCC), and a carrier corresponding to the secondary cell may be the uplink secondary component carrier (i.e., the UL SCC).

[0059] Additionally or alternatively, a dual connectivity operation may be supported. For example, in the dual connectivity operation, a special cell may be defined. For example, the special cell may include the primary cell (e.g., the primary cell of a master cell group (e.g., a MCG)) and/or a primary secondary cell (e.g., the primary secondary cell of a secondary cell group (e.g., a SCG)). Here, the primary secondary cell may be referred to as a primary secondary cell group cell (e.g., a Primary SCG cell). Namely, the term “the special cell” refers to the primary cell (e.g., the primary cell of the MCG) and/or the primary secondary cell (e.g., the primary secondary cell of the SCG).

[0060] For example, the primary cell may be a serving cell (e.g., the MCG cell), operating a primary frequency, in which the UE 102 may perform an initial connection establishment procedure and/or initiate a connection re-establishment procedure. Also, the primary secondary cell may be a serving cell (e.g., the SCG cell) in which the UE 102 may perform the random access procedure (e.g., in a case that the UE 102 perform a reconfiguration (e.g., a reconfiguration with a synchronization procedure)).

[0061] Additionally or alternatively, the special cell may be always activated (e.g., the special cell may not be deactivated). Namely, the secondary cell(s) may be activated and deactivated. Also, a transmission(s) of the PUCCH may be performed (e.g., supported) only on the special cell. Namely, the transmission(s) of the PUCCH may be always performed on the special cell. For example, resources (e.g., a resource set(s)) for the transmission of the PUCCH may be configured and/or indicated (e.g., for the UE 102 by the gNB 160 (e.g., by using the RRC message and/or the DCI format(s))) only on the special cell. Additionally or alternately, resources (e.g., a resource set(s)) for the transmission of the PUCCH may be configured and/or indicated (e.g., for the UE 102 by the gNB 160 (e.g., by using the RRC message and/or the DCI format(s)))

only on each UL BWP of the special cell (e.g., only on each UL BWP in a set of UL BWPs of the special cell). Additionally or alternatively, the contention based random access procedure may be performed (e.g., supported) only on the special cell.

- [0062] Namely, the serving cell(s) may include the primary cell(s) (e.g., the primary cell of the MCG), the primary secondary cell(s) (e.g., the primary secondary cell of the SCG), and/or the secondary cell(s) (e.g., the secondary cell(s) of the MCG and/or the SCG).
- [0063] For example, the gNB 160 may transmit, by using the RRC message, information used for configuring an index of the serving cell(s) (e.g., an index of the primary secondary cell(s) and/or an index of the secondary cell(s)). Namely, the index of the serving cell(s) may be used for identifying the serving cell(s). The UE 102 may identify the serving cell(s) based on the index of the serving cell(s). Here, an index of the primary cell may be defined as "0". Namely, the index of the primary cell may be always "0". For example, the gNB 160 may transmit, by using the RRC message, information used for configuring an index of the secondary cell(s). And, the UE 102 may identify the index of the serving cell(s) (e.g., the secondary cell(s)), based on the information.
- [0064] Additionally or alternatively, the gNB 160 may transmit, by using the RRC message, information used for configuring a cell group(s) (e.g., a cell group(s) associated with the dual connectivity operation (e.g., the MCG(s) and/or the SCG(s))). As described above, the MCG may include the primary cell and/or the secondary cell(s). Also, the SCG may include the primary secondary cell and/or the secondary cell(s). For example, in the dual connectivity operation, in a case that the UE 102 is configured the cell group(s) (e.g., the MCG(s) and/or the SCG(s)), the UE 102 is configured with two MAC entities (e.g., one MAC entity for the MCG and one MAC entity for SCG). For example, in a case that the UE 102 is not configured the cell group(s) (e.g., the MCG(s) and/or the SCG(s)), the UE 102 is configured with one MAC entities (e.g., one MAC entity for the MCG). Namely, for Dual Connectivity operation, the term "the special cell" may refer to the primary cell of the MCG or the primary secondary cell of the SCG depending on if the MAC entity is associated to the MCG or the SCG, respectively.
- [0065] The UE operations module 124 may provide information 148 to the one or more receivers 120. For example, the UE operations module 124 may inform the receiver(s) 120 when to receive retransmissions.
- [0066] The UE operations module 124 may provide information 138 to the demodulator 114. For example, the UE operations module 124 may inform the demodulator 114 of a modulation pattern anticipated for transmissions from the gNB 160.
- [0067] The UE operations module 124 may provide information 136 to the decoder 108. For example, the UE operations module 124 may inform the decoder 108 of an anticipated

encoding for transmissions from the gNB 160.

- [0068] The UE operations module 124 may provide information 142 to the encoder 150. The information 142 may include data to be encoded and/or instructions for encoding. For example, the UE operations module 124 may instruct the encoder 150 to encode transmission data 146 and/or other information 142. The other information 142 may include PDSCH HARQ-ACK information.
- [0069] The encoder 150 may encode transmission data 146 and/or other information 142 provided by the UE operations module 124. For example, encoding the data 146 and/or other information 142 may involve error detection and/or correction coding, mapping data to space, time and/or frequency resources for transmission, multiplexing, etc. The encoder 150 may provide encoded data 152 to the modulator 154.
- [0070] The UE operations module 124 may provide information 144 to the modulator 154. For example, the UE operations module 124 may inform the modulator 154 of a modulation type (e.g., constellation mapping) to be used for transmissions to the gNB 160. The modulator 154 may modulate the encoded data 152 to provide one or more modulated signals 156 to the one or more transmitters 158.
- [0071] The UE operations module 124 may provide information 140 to the one or more transmitters 158. This information 140 may include instructions for the one or more transmitters 158. For example, the UE operations module 124 may instruct the one or more transmitters 158 when to transmit a signal to the gNB 160. For instance, the one or more transmitters 158 may transmit during a UL subframe. The one or more transmitters 158 may upconvert and transmit the modulated signal(s) 156 to one or more gNBs 160.
- [0072] Each of the one or more gNBs 160 may include one or more transceivers 176, one or more demodulators 172, one or more decoders 166, one or more encoders 109, one or more modulators 113, a data buffer 162 and a gNB operations module 182. For example, one or more reception and/or transmission paths may be implemented in a gNB 160. For convenience, only a single transceiver 176, decoder 166, demodulator 172, encoder 109 and modulator 113 are illustrated in the gNB 160, though multiple parallel elements (e.g., transceivers 176, decoders 166, demodulators 172, encoders 109 and modulators 113) may be implemented.
- [0073] The transceiver 176 may include one or more receivers 178 and one or more transmitters 117. The one or more receivers 178 may receive signals from the UE 102 using one or more physical antennas 180a-n. For example, the receiver 178 may receive and downconvert signals to produce one or more received signals 174. The one or more received signals 174 may be provided to a demodulator 172. The one or more transmitters 117 may transmit signals to the UE 102 using one or more physical antennas 180a-n. For example, the one or more transmitters 117 may upconvert and

transmit one or more modulated signals 115.

- [0074] The demodulator 172 may demodulate the one or more received signals 174 to produce one or more demodulated signals 170. The one or more demodulated signals 170 may be provided to the decoder 166. The gNB 160 may use the decoder 166 to decode signals. The decoder 166 may produce one or more decoded signals 164, 168. For example, a first eNB-decoded signal 164 may comprise received payload data, which may be stored in a data buffer 162. A second eNB-decoded signal 168 may comprise overhead data and/or control data. For example, the second eNB-decoded signal 168 may provide data (e.g., PDSCH HARQ-ACK information) that may be used by the gNB operations module 182 to perform one or more operations.
- [0075] In general, the gNB operations module 182 may enable the gNB 160 to communicate with the one or more UEs 102. The gNB operations module 182 may include one or more of a gNB scheduling module 194. The gNB scheduling module 194 may perform scheduling of downlink and/or uplink transmissions as described herein.
- [0076] The gNB operations module 182 may provide information 188 to the demodulator 172. For example, the gNB operations module 182 may inform the demodulator 172 of a modulation pattern anticipated for transmissions from the UE(s) 102.
- [0077] The gNB operations module 182 may provide information 186 to the decoder 166. For example, the gNB operations module 182 may inform the decoder 166 of an anticipated encoding for transmissions from the UE(s) 102.
- [0078] The gNB operations module 182 may provide information 101 to the encoder 109. The information 101 may include data to be encoded and/or instructions for encoding. For example, the gNB operations module 182 may instruct the encoder 109 to encode information 101, including transmission data 105.
- [0079] The encoder 109 may encode transmission data 105 and/or other information included in the information 101 provided by the gNB operations module 182. For example, encoding the data 105 and/or other information included in the information 101 may involve error detection and/or correction coding, mapping data to space, time and/or frequency resources for transmission, multiplexing, etc. The encoder 109 may provide encoded data 111 to the modulator 113. The transmission data 105 may include network data to be relayed to the UE 102.
- [0080] The gNB operations module 182 may provide information 103 to the modulator 113. This information 103 may include instructions for the modulator 113. For example, the gNB operations module 182 may inform the modulator 113 of a modulation type (e.g., constellation mapping) to be used for transmissions to the UE(s) 102. The modulator 113 may modulate the encoded data 111 to provide one or more modulated signals 115 to the one or more transmitters 117.
- [0081] The gNB operations module 182 may provide information 192 to the one or more

transmitters 117. This information 192 may include instructions for the one or more transmitters 117. For example, the gNB operations module 182 may instruct the one or more transmitters 117 when to (or when not to) transmit a signal to the UE(s) 102. The one or more transmitters 117 may upconvert and transmit the modulated signal(s) 115 to one or more UEs 102.

[0082] It should be noted that a DL subframe may be transmitted from the gNB 160 to one or more UEs 102 and that a UL subframe may be transmitted from one or more UEs 102 to the gNB 160. Furthermore, both the gNB 160 and the one or more UEs 102 may transmit data in a standard special subframe.

[0083] It should also be noted that one or more of the elements or parts thereof included in the eNB(s) 160 and UE(s) 102 may be implemented in hardware. For example, one or more of these elements or parts thereof may be implemented as a chip, circuitry or hardware components, etc. It should also be noted that one or more of the functions or methods described herein may be implemented in and/or performed using hardware. For example, one or more of the methods described herein may be implemented in and/or realized using a chipset, an application-specific integrated circuit (ASIC), a large-scale integrated circuit (LSI) or integrated circuit, etc.

[0084] Figure 2 shows examples of multiple numerologies 201. As shown in Figure 2, multiple numerologies 201 (e.g., multiple subcarrier spacing) may be supported. For example, μ (e.g., a subcarrier space configuration) and a cyclic prefix (e.g., the μ and the cyclic prefix for a carrier bandwidth part) may be configured by higher layer parameters (e.g., a RRC message) for the downlink and/or the uplink. Here, 15 kHz may be a reference numerology 201. For example, an RE of the reference numerology 201 may be defined with a subcarrier spacing of 15 kHz in a frequency domain and $2048T_s + \text{CP length}$ (e.g. 160Ts or 144Ts) in a time domain, where T_s denotes a baseband sampling time unit defined as $1/(15000*2048)$ seconds.

[0085] Additionally or alternatively, a number of OFDM symbol(s) 203 per slot $\left(N_{\text{symbol}}^{\text{slot}} \right)$ may be determined based on the μ (e.g., the subcarrier space configuration). Here, for example, a slot configuration 0 (e.g., the number of OFDM symbols 203 per slot may be 14) and/or a slot configuration (e.g., the number of OFDM symbols 203 per slot may be 7) may be defined.

Figure 3 is a diagram illustrating one example of a resource grid 301 and resource block 391 (e.g., for the downlink and/or the uplink). The resource grid 301 and resource block 391 illustrated in Figure 3 may be utilized in some implementations of the systems and methods disclosed herein.

[0086]

In Figure 3, one subframe 369 may include $N_{symbol}^{subframe, \mu}$ symbols 387. Additionally or alternatively, a resource block 391 may include a number of resource elements (RE) 389. Here, in the downlink, the OFDM access scheme with cyclic prefix (CP) may be employed, which may be also referred to as CP-OFDM. A downlink radio frame may include multiple pairs of downlink resource blocks (RBs) 391 which are also referred to as physical resource blocks (PRBs). The downlink RB pair is a unit for assigning downlink radio resources, defined by a predetermined bandwidth (RB bandwidth) and a time slot. The downlink RB pair may include two downlink RBs 391 that are continuous in the time domain. Additionally or alternatively, the downlink RB 391 may include twelve sub-carriers in frequency domain and seven (for normal CP) or six (for extended CP) OFDM symbols in time domain. A region defined by one sub-carrier in frequency domain and one OFDM symbol in time domain is referred to as a resource element (RE) 389 and is uniquely identified by the index pair (k, l) , where k and l are indices in the frequency and time domains, respectively.

Additionally or alternatively, in the uplink, in addition to CP-OFDM, a Single-Carrier Frequency Division Multiple Access (SC-FDMA) access scheme may be employed, which is also referred to as Discrete Fourier Transform-Spreading OFDM (DFT-S-OFDM). An uplink radio frame may include multiple pairs of uplink resource blocks 391. The uplink RB pair is a unit for assigning uplink radio resources, defined by a predetermined bandwidth (RB bandwidth) and a time slot. The uplink RB pair may include two uplink RBs 391 that are continuous in the time domain. The uplink RB may include twelve sub-carriers in frequency domain and seven (for normal CP) or six (for extended CP) OFDM/DFT-S-OFDM symbols in time domain. A region defined by one sub-carrier in the frequency domain and one OFDM/DFT-S-OFDM symbol in the time domain is referred to as a resource element (RE) 389 and is uniquely identified by the index pair (k, l) in a slot, where k and l are indices in the frequency and time domains respectively.

[0087]

Each element in the resource grid 301 (e.g., antenna port p) and the subcarrier configuration μ is called a resource element 389 and is uniquely identified by the index pair (k, l) where $k = 0, \dots, N_{RB}^{\mu} N_{SC}^{RB} - 1$ is the index in the frequency domain and l refers to the symbol position in the time domain. The resource element (k, l) 389 on the antenna port p and the subcarrier spacing configuration μ is denoted $(k, l)_{p, \mu}$. The physical resource block 391 is defined as $N_{SC}^{RB} = 12$ consecutive subcarriers in the frequency domain. The physical resource blocks 391 are numbered from 0 to $N_{RB}^{\mu} - 1$ in the frequency domain. The relation between the physical resource block number n_{PRB} in the frequency domain

and the resource element (k, l) is given by $n_{PRB} = \left\lfloor \frac{k}{N_{SC}^{RB}} \right\rfloor$.

Figure 4 shows examples of resource regions (e.g., resource region of the downlink). One or more sets 401 of PRB(s) 491 (e.g., a control resource set (e.g., CORESET)) may be configured for DL control channel monitoring (e.g., the PDCCH monitoring). For example, the CORESET is, in the frequency domain and/or the time domain, a set 401 of PRBs 491 within which the UE 102 attempts to decode the DCI (e.g., the DCI format(s), the PDCCH(s)), where the PRBs 491 may or may not be frequency contiguous and/or time contiguous, a UE 102 may be configured with one or more control resource sets (e.g., the CORESETs) and one DCI message may be mapped within one control resource set. In the frequency-domain, a PRB 491 is the resource unit size (which may or may not include DM-RS) for the DL control channel.

[0088] The UE 102 may monitor a set of candidates of the PDCCH (e.g., PDCCH candidates) in one or more control resource sets (e.g., CORESETs) on the active DL bandwidth part (BWP) on each activated serving cell according to corresponding search space sets. Here, the term “monitor” may imply that the UE 102 attempts to decode each PDCCH (e.g., the set of candidates of the PDCCH) according to the monitored DCI format(s). Also, the candidates of the PDCCH may be candidates for which the DL control channel(s) may possibly be mapped, assigned, and/or transmitted.

[0089] The set of candidates of the PDCCH for the UE 102 to monitor may be defined in terms of a search space set(s) (e.g., also referred to simply as a search space(s)). The UE 102 may monitor the set of candidates of the PDCCH in the search space(s). The search space set(s) may comprise a common search space(s) (CSS(s), UE-common search space(s)) and/or a user equipment-specific search space(s) (USS, UE-specific

search space(s)).

- [0090] Namely, the CSS and/or the USS may be defined (e.g., configured) in a region(s) of DL control channel(s). For example, the CSS may be used for transmission of DCI to a plurality of the UEs 102. For example, a Type0-PDCCH common search space may be defined for the DCI format(s) with CRC scrambled by the SI-RNTI. Additionally or alternatively, a Type1-PDCCH common search space may be defined for the DCI format(s) with CRC scrambled by the RA-RNTI, the Temporary C-RNTI, and/or the C-RNTI. Additionally or alternatively, a Type3-PDCCH common search space may be defined for the DCI format(s) with CRC scrambled by the C-RNTI, and/or the CS-RNTI.
- [0091] The USS may be used for transmission of DCI to a specific UE 102. For example, the USS may be determined based on a Radio Network Temporary Identifier (RNTI) (e.g., the C-RNTI). For instance, the USS may be defined for the DCI format(s) with CRC scrambled by the C-RNTI, and/or the CS-RNTI.
- [0092] Here, the gNB 160 may transmit, by using the RRC message, first information used for configuring (e.g., determining) one or more CORESETs. For example, for each of DL BWPs (e.g., each of DL BWPs in the serving cell), the gNB 106 may transmit, by using the RRC message, the first information used for configuring the one or more CORESET. For example, the first information may include information used for configuring an index of the CORESET. Also, the first information may include information used for configuring a number of consecutive symbols for the CORESET. Also, the first information may include information used for configuring a set of resource blocks for the CORESET.
- [0093] Here, the index "0" of the CORESET (i.e., a value "0" of the CORESET, CORESET #0) may be configured by using the MIB and/or the SIB(s). For example, the index "0" of the CORESET may be used for identifying a common CORESET configured in the MIB and/or the SIB(s). Namely, the index of the CORESET except for the value "0" may be configured as the index of the CORESET. Also, the index of the CORESET with the value "0" may be configured by using information of a CORESET-zero. Also, the index "0" of the CORESET may be configured by using a dedicated RRC message (i.e., a UE-specific RRC message, and/or a serving cell-specific RRC message). Namely, the gNB 160 may transmit, by using the MIB, information used for configuring the CORESET with the index "0" (i.e., a CORESET #0). Additionally or alternatively, the gNB 160 may transmit, by using the SIB(s), the information used for configuring the CORESET #0. Additionally or alternatively, the gNB 160 may transmit, by using the dedicated RRC message, the information used for configuring the CORESET #0.
- [0094] Here, the CORESET #0 may be configured for an initial BWP(s) (e.g., the initial DL

BWP(s)). Here, the gNB 160 may transmit, by using the RRC message (e.g., the MIB, the SIB(s), and/or the dedicated RRC message), information used for the initial BWP(s) (e.g., the initial BWP(s)). Also, an index of the initial BWP(s) (e.g., the initial DL BWP(s)) may be "0". Namely, the index "0" (e.g., the value "0") may be applied (e.g., defined) for the initial BWP(s) (e.g., the initial DL BWP(s)). For example, (e.g., for the primary cell), the initial BWP(s) (i.e., the BWP with the index "0") may be the BWP(s) used for an initial access. Additionally or alternately, (e.g., for the secondary cell(s)), the initial BWP(s) (i.e., the BWP(s) with the index "0") may be the BWP(s) configured for the UE to first operate at the secondary cell(s) activation.

[0095] Here, the gNB 160 may transmit, by using the RRC message (e.g., the MIB, the SIB(s), and/or the dedicated RRC message), information used for configuring an index of the DL BWP(s) (e.g., the index other than the index "0"). Also, the gNB 160 may transmit, by using the RRC message (e.g., the MIB, the SIB(s), and/or the dedicated RRC message), information used for configuring an index of the UL BWP(s) (e.g., the index other than the index "0"). Namely, the index of the DL BWP(s) may be used for identifying the DL BWP(s). Also, the index of the UL BWP(s) may be used for identifying the UL BWP(s). The UE 102 may identify the DL BWP(s) based on the index of the DL BWP(s). Also, the UE 102 may identify the UL BWP(s) based on the index of the UL BWP(s).

[0096] As described above, the CORESET#0 may be referred to as the common CORESET. Also, the CORESET other than the CORESET#0 may be referred to as a UE-specific CORESET. Namely, the CORESET with the index "X (e.g., X=1, 2, 3, ...)" other than the index "0" may be referred to as the UE-specific CORESET. For example, the gNB 160 may transmit, by using the dedicated RRC message, information used for configuring the UE-specific CORESET (e.g., the index of the UE-specific CORESET).

[0097] Additionally or alternatively, for each of the one or more CORESETs, the search space set(s) (e.g., the set(s) of the CSS(s) and/or the USS(s)) may be configured. Namely, the search space set(s) may be associated with the CORESET(s). For example, the UE 102 may monitor the PDCCH (e.g., the PDCCH candidates) in the CSS set(s) associated with the CORESET#0. Also, the UE 102 may monitor the PDCCH (e.g., the PDCCH candidates) in the CSS set(s) not associated with the CORESET#0. Also, the UE may monitor the PDCCH (e.g., the PDCCH candidates) in the USS (e.g., the USS not associated with the USS). Also, for example, the search space set(s) may be configured per DL BWP. Namely, the search space set(s) may be configured for each of the DL BWPs in the serving cell(s).

[0098] Additionally or alternatively, the gNB 160 may transmit, by using the RRC message, second information used for configuring the search space set(s). For example, the second information may be configured for each search space set. For example, the

second information may include information used for configuring an index of the search space set(s). Additionally or alternatively, the second information may include information used for configuring the index of the CORESET(s) associated with the search space set(s). Additionally or alternatively, the second information may include information used for indicating a PDCCH monitoring periodicity and/or a PDCCH monitoring offset where the UE 102 monitors the PDCCH(s) in the search space set(s). Additionally or alternatively, the second information may include information used for indicating a PDCCH monitoring pattern within a slot. For example, the information used for indicating the PDCCH monitoring pattern may be used for indicating first symbol(s) within a slot for the PDCCH monitoring. For instance, the UE 102 may determine a PDCCH monitoring occasion(s) based on the PDCCH monitoring periodicity, the PDCCH monitoring offset, and/or the PDCCH monitoring pattern within a slot.

[0099] Additionally or alternatively, the second information may include information used for indicating a type of the search space set (e.g., information used for indicating that the search space set is either the CSS or the USS). Additionally or alternatively, the second information may include information used for indicating one or more DCI formats which accordingly the UE 102 monitors the PDCCH in the search space set(s). For example, if the search space set is the CSS (e.g., if the search space set is configured as the CSS), the DCI format 0_0 and/or the DCI format 1_0 may be configured to monitor the PDCCH (e.g., the candidate(s) of the PDCCH(s)). Here, the DCI format(s) for monitoring the PDCCH in the CSS may be scrambled by the C-RNTI, the CS-RNTI, the RA-RNTI, the Temporary C-RNTI, the SI-RNTI, and/or the first RNTI.

[0100] Additionally or alternatively, if the search space set is the USS (e.g., if the search space set is configured as the USS), the DCI format 0_0, the DCI format 1_0, the DCI format 0_Y, and/or the DCI format 1_X may be configured to monitor the PDCCH (e.g., the candidate(s) of the PDCCH(s)). Additionally or alternatively, if the search space set is the USS, the DCI format 0_1, the DCI format 1_1, the DCI format 0_Y, and/or the DCI format 1_X may be configured to monitor the PDCCH (e.g., the candidate(s) of the PDCCH(s)). For example, if the search space set is the USS, either of a first set of DCI formats (e.g., the DCI format 0_0, the DCI format 1_0, and/or the DCI format 0_Y, and/or the DCI format 1_X) or a second set of DCI formats (e.g., the DCI format 0_1, the DCI format 1_1, the DCI format 0_Y, and/or the DCI format 1_X) may be configured to monitor the PDCCH (e.g., the candidate(s) of the PDCCH(s)). For example, if the search space set is the USS, either of a third set of DCI formats (e.g., the DCI format 0_Y and/or the DCI format 1_X) or a fourth set of DCI formats (e.g., the DCI format 0_1 and/or the DCI format 1_1) may be configured

to monitor the PDCCH. Also, if the search space set is the USS, either of a fifth set of DCI formats (e.g., the DCI format 0_Y and/or the DCI format 1_X) or a sixth set of DCI formats (e.g., the DCI format 0_0 and/or the DCI format 1_0) may be configured to monitor the PDCCH. Here, the DCI format(s) for monitoring the PDCCH in the USS may be scrambled by the C-RNTI, the CS-RNTI, and/or the first RNTI. For example, the second information may be configured per search space set. Namely, the second information may be configured for each of search space sets.

[0101] Here, the index “0” of the search space set (i.e., a value “0” of the search space set) may be configured by using the MIB and/or the SIB(s). For example, the index “0” of the search space set may be used for identifying a common search space set configured in the MIB and/or the SIB(s). Namely, the index of the search space set except for the value “0” may be configured as the index of the search space. Also, the index of the search space set with the value “0” may be configured by using information of search space-zero. Also, the index “0” of the search space set may be configured by using a dedicated RRC message (i.e., a UE-specific RRC message, and/or a serving cell-specific RRC message). Namely, the gNB 160 may transmit, by using the MIB, information used for configuring the search space set with the index “0” (i.e., the search space set #0). Additionally or alternatively, the gNB 160 may transmit, by using the SIB(s), the information used for configuring the search space set #0. Additionally or alternatively, the gNB 160 may transmit, by using the dedicated RRC message, the information used for configuring the search space set #0. Here, the search space set #0 may be configured for the initial BWP(s) (e.g., the initial DL BWP(s)).

[0102] As described above, the search space set #0 may be referred to as the common search space set. Also, the search space set other than the search space set #0 may be referred to as a UE-specific search space set. Namely, the search space set with the index “X (e.g., X=1, 2, 3, ...)” other than the index “0” may be referred to as the UE-specific search space set. For example, the gNB 160 may transmit, by using the dedicated RRC message, information used for configuring the UE-specific search space set (e.g., the index of the UE-specific search space set).

[0103] Here, for example, for the serving cell(s), the gNB 160 may configure, by using the RRC message, a set of four DL BWPs (e.g., at most four DL BWPs, a DL BWP set) (e.g., for receptions by the UE 102). Additionally or alternatively, the gNB 160 may indicate, by using the DCI format(s) for the downlink, an active DL BWP(s). For example, for each DL BWP in the set of DL BWPs, the gNB 160 may configure, by using the RRC message, the subcarrier spacing, the cyclic prefix, a number of contiguous PRBs 491 (e.g., a bandwidth of PRBs), and/or an index (e.g., the index of the DL BWP(s)) in the set of DL BWPs.

[0104] Additionally or alternatively, for the serving cell(s), the gNB 160 may configure, by

using the RRC message, a set of four UL BWP(s) (e.g., at most four UL BWPs, a UL BWP set) (e.g., for transmissions by the UE 102). Additionally or alternatively, the gNB 160 may indicate, by using the DCI format(s) for the uplink, an active UL BWP(s). Additionally or alternatively, for each UL BWP in the set of UL BWPs, the gNB 160 may configure, by using the RRC message, the subcarrier spacing, the cyclic prefix, a number of contiguous PRBs 491 (e.g., a bandwidth of PRBs), an index (e.g., the index of the UL BWP(s)) in the set of UL BWPs.

[0105] Additionally or alternatively, the UE 102 may perform, based on the configuration(s) for the DL BWP(s), reception(s) on the PDCCH in the DL BWP(s) and/or reception(s) on the PDSCH in the DL BWP(s). Additionally or alternatively, the UE 102 may perform, based on the configuration(s) for the UL BWP(s).

[0106] Figure 5 illustrates an example of uplink transmissions. As shown by Figure 5, a simultaneous transmission(s) of the PUCCH and the PUSCH may be supported for the UL signal(s) transmission(s). As described above, the UL signal(s) may include the uplink physical channel(s) and/or the uplink physical signal(s). Additionally or alternatively, the UL signal(s) may include the uplink data (e.g., the UL-SCH) and/or the UCI (e.g., the HARQ-ACK, the CSI (e.g., the aperiodic CSI, the semi-persistent CSI, and/or the periodic CSI), and/or the SR).

[0107] Namely, the UE 102 may perform the simultaneous transmission(s) of the PUCCH and the PUSCH in a slot(s) and/or a symbol(s) (e.g., at the same timing, at the same time occasion, at the time occupancy of the UL signal(s) (e.g., each of the UL signals) overlaps in at least one symbol and/or at least one slot). For example, the UE 102 may perform the simultaneous transmission(s) of the UCI on the PUCCH and the uplink data (e.g., and/or the UCI) on the PUSCH. Here, the simultaneous transmission(s) of the PUCCH and the PUSCH on the same serving cell may be supported. Additionally or alternatively, the simultaneous transmission(s) of the PUCCH and the PUSCH on a different serving cell(s) may be supported. Namely, the simultaneous transmission(s) of the PUCCH and the PUSCH on the same serving cell may not be supported.

[0108] Additionally or alternatively, the gNB 160 may transmit, by using the RRC message, third information used for indicating (e.g., configuring) the simultaneous transmission(s) of the PUCCH and the PUSCH is configured (e.g., indicated, and/or allowed). For example, the gNB 160 may configure the simultaneous transmission(s) of the PUCCH and the PUSCH for the serving cell(s). For example, the gNB 160 may transmit, by using the RRC message, information used for configuring an index of the serving cell(s) (e.g., with (e.g., together with) the third information). Additionally or alternatively, the gNB 160 may transmit, by using the RRC message, the information used for configuring the index of the UL BWP(s) (e.g., with (e.g., together with) the third information).

- [0109] Namely, the gNB 160 may configure the serving cell(s) (e.g., the index of the serving cell(s)) where the simultaneous transmission(s) of the PUCCH and the PUSCH is associated with. For example, the gNB 160 may configure the serving cell(s) on which the simultaneous transmission(s) of the PUCCH and the PUSCH is performed.
- [0110] Additionally or alternatively, the UE 102 may perform the simultaneous transmission(s) of the PUCCH and the PUSCH on the serving cell(s) (e.g., the serving cell(s) which is configured with the third information). For example, the UE 102 may perform the simultaneous transmission(s) of the PUCCH and the PUSCH only on the serving cell(s) (e.g., the serving cell(s) which is configured with the third information). Additionally or alternatively, the UE 102 may not perform (e.g., may not be allowed to perform) the simultaneous transmission(s) of the PUCCH and the PUSCH on the serving cell(s) (e.g., the serving cell(s) where the third information is not associated with (e.g., the third information is not configured with)).
- [0111] Also, the gNB 160 may configure the UL BWP(s) (e.g., the index of the UL BWP(s)) where the simultaneous transmission(s) of the PUCCH and the PUSCH is associated with. For example, the gNB 160 may configure the UL BWP(s) on which the simultaneous transmission(s) of the PUCCH and the PUSCH is performed.
- [0112] Additionally or alternatively, the UE 102 may perform the simultaneous transmission(s) of the PUCCH and the PUSCH on the UL BWP(s) (e.g., the UL BWP(s) which is configured with the third information). For example, the UE 102 may perform the simultaneous transmission(s) of the PUCCH and the PUSCH only on the UL BWP(s) (e.g., the UL BWP(s) which is configured with the third information). Additionally or alternatively, the UE 102 may not perform (e.g., may not be allowed to perform) the simultaneous transmission(s) of the PUCCH and the PUSCH on the UL BWP(s) (e.g., the UL BWP(s) where the third information is not associated with (e.g., the third information is not configured with)).
- [0113] Namely, the gNB 160 may configure the serving cell(s) and/or the UL BWP(s) where the transmission(s) of the PUCCH and the PUSCH is associated with. For example, the gNB 160 may configure the serving cell(s) and/or the UL BWP(s) on which the transmission(s) of the PUCCH and the PUSCH is performed. And, the UE 102 may perform the simultaneous transmission(s) of the PUCCH and the PUSCH only on the serving cell(s) (e.g., the serving cell(s) which is configured with the third information) and/or the UL BWP(s) (e.g., the UL BWP(s) which is configured with the third information). Additionally or alternatively, the UE 102 may not perform (e.g., may not be allowed to perform) the simultaneous transmission(s) of the PUCCH and the PUSCH on the serving cell(s) (e.g., the serving cell(s) where the third information is not associated with) and/or the UL BWP(s) (e.g., the UL BWP(s) where the third information is not associated with).

- [0114] Additionally or alternatively, the gNB 160 may configure the third information for the special cell. For example, the gNB 160 may configure the third information for the special cell, with (e.g., together with) the index of the secondary cell(s). Namely, the gNB 160 may configure the secondary cell(s) where the transmission(s) of the PUCCH and the PUSCH is associated with. For example, the gNB 160 may configure the secondary cell(s) on which the PUSCH transmission which is simultaneously performed with the PUCCH transmission on the special cell. Namely, the UE 102 may perform the simultaneous transmission(s) of the PUCCH on the special cell and the PUSCH on the secondary cell(s). And, the special cell may be a service cell for which the third information is configured for. Also, the secondary cell(s) may be a serving cell(s) where the third information is associated with (e.g., a serving cell(s) where the third information is configured with (e.g., together with)).
- [0115] Additionally or alternatively, the gNB 160 may configure the third information for the special cell, with (e.g., together with) the index of the UL BWP(s) (e.g., the index of the UL BWP(s) of the Special cell and/or the index of the UL BWP(s) of the secondary cell(s)). Namely, the gNB 160 may configure the UL BWP(s) where the transmission(s) of the PUCCH and the PUSCH is associated with. For example, the gNB 160 may configure the UL BWP(s) (e.g., the UL BWP(s) of the secondary cell(s)) on which the PUSCH transmission which is simultaneously performed with the PUCCH transmission on the UL BWP(s) (e.g., the UL BWP(s) of the special cell). Namely, the UE 102 may perform the simultaneous transmission(s) of the PUCCH on the UL BWP(s) (e.g., the UL BWP(s) of the special cell) and the PUSCH on the UL BWP(s) (e.g., the UL BWP(s) of the secondary cell(s)). And, the UL BWP(s) (e.g., the UL BWP(s) of the special cell) may be a UL BWP(s) for which the third information is configured for. Also, the UL BWP(s) (e.g., the UL BWP(s) of the secondary cell(s)) may be a UL BWP(s) where the third information is associated with (e.g., a UL BWP(s) where the third information is configured with (e.g., together with)).
- [0116] Additionally or alternatively, the gNB 160 may configure the third information per serving cell. For example, the gNB 160 may configure the third information for each of the special cells (e.g., the primary cell and/or the primary secondary cell) and/or the secondary cell(s). And, the gNB 160 may configure the serving cell(s) where the transmission of the PUCCH and the PUSCH is associated with (e.g., the simultaneous transmission(s) of the PUCCH and the PUSCH is performed). Namely, the UE 102 may perform the simultaneous transmission(s) of the PUCCH and the PUSCH on the serving cell(s) (e.g., the serving cell(s) where the third information is associated with (e.g., the serving cell(s) for which the third information is configured)). Additionally or alternatively, the UE 102 may not perform (e.g., may not be allowed to perform) the transmission(s) of the PUCCH and the PUSCH on the serving cell(s) (e.g., the serving

cell(s) where the third information is not associated with (e.g., the serving cell(s) for which the third information is not configured)).

[0117] Additionally or alternatively, the gNB 160 may configure the third information per UL BWP. For example, the gNB 160 may configure the third information for each of the UL BWPs (e.g., the UL BWP(s) of the primary cell and/or the UL BWP(s) of the primary secondary cell) and/or the UL BWP(s) of the secondary cell(s). And, the gNB 160 may configure the UL BWP(s) where the transmission of the PUCCH and the PUSCH is associated with (e.g., the simultaneous transmission(s) of the PUCCH and the PUSCH is performed). Namely, the UE 102 may perform the simultaneous transmission(s) of the PUCCH and the PUSCH on the UL BWP(s) (e.g., the UL BWP(s) where the third information is associated with (e.g., the UL BWP(s) for which the third information is configured)). Additionally or alternatively, the UE 102 may not perform (e.g., may not be allowed to perform) the transmission(s) of the PUCCH and the PUSCH on the UL BWP(s) (e.g., the UL BWP(s) where the third information is not associated with (e.g., the UL BWP(s) for which the third information is not configured)).

[0118] As described above, the serving cell(s) where the simultaneous transmission(s) of the PUCCH and the PUSCH (e.g., the third information) is associated with may be the special cell (e.g., the primary cell and/or the primary secondary cell) and/or the secondary cell(s). Also, the serving cell(s) for which the simultaneous transmission(s) of the PUCCH and the PUSCH (e.g., the third information) is configured may be the special cell (e.g., the primary cell and/or the primary secondary cell) and/or the secondary cell(s). Additionally or alternatively, the UL BWP(s) where the simultaneous transmission(s) of the PUCCH and the PUSCH (e.g., the third information) is associated with may be the UL BWP(s) of the special cell (e.g., the primary cell and/or the primary secondary cell) and/or the UL BWP(s) of the secondary cell(s). Also, the UL BWP(s) for which the simultaneous transmission(s) of the PUCCH and the PUSCH (e.g., the third information) is configured may be the UL BWP(s) of the special cell (e.g., the primary cell and/or the primary secondary cell) and/or the UL BWP(s) of the secondary cell(s).

[0119] Here, in some implementations for the sake of simple descriptions, the serving cell(s) where the simultaneous transmission(s) of the PUCCH and the PUSCH (e.g., the third information) is associated with described herein may be assumed to be included in the serving cell(s) for which the simultaneous transmission(s) of the PUCCH and the PUSCH (e.g., the third information) is configured. Also, the UL BWP(s) where the simultaneous transmission(s) of the PUCCH and the PUSCH (e.g., the third information) is associated with described herein may be assumed to be included in the UL BWP(s) for which the simultaneous transmission(s) of the PUCCH and the PUSCH (e.g., the

third information) is configured.

- [0120] Also, the serving cell(s) where the simultaneous transmission(s) of the PUCCH and the PUSCH (e.g., the third information) is not associated with described herein may be assumed to be included in the serving cell(s) for which the simultaneous transmission(s) of the PUCCH and the PUSCH (e.g., the third information) is not configured. Also, the UL BWP(s) where the simultaneous transmission(s) of the PUCCH and the PUSCH (e.g., the third information) is not associated with described herein may be assumed to be included in the UL BWP(s) for which the simultaneous transmission(s) of the PUCCH and the PUSCH (e.g., the third information) is not configured.
- [0121] Namely, as described above, the gNB 160 may configure the third information, with (e.g., together with, associated with) the index of the serving cell(s) and/or the index of the UL BWP(s). And, the UE 102 may perform the simultaneous transmission(s) of the PUCCH and the PUSCH on the serving cell(s) and/or the UL BWP(s), for which the third information is configured. Also, the UE 102 may not perform (e.g., may not be allowed to perform) the simultaneous transmission(s) of the PUCCH and the PUSCH on the serving cell(s) and/or the UL BWP(s), for which the third information is not configured.
- [0122] Figure 6 illustrates an example of a prioritization of uplink transmissions. As shown by Figure 6, a prioritization(s) of the UL signal(s) may be defined (e.g., configured, indicated, and/or specified). As described above, the UL signal(s) may include the uplink physical channel(s) and/or the uplink physical signal(s). Additionally or alternatively, the UL signal(s) may the uplink data (e.g., the UL-SCH) and the UCI (e.g., the HARQ-ACK, the CSI (e.g., the aperiodic CSI, the semi-persistent CSI, and/or the periodic CSI), and/or the SR). Here, for regarding an identification (e.g., a definition, a specification) for the priority for the aperiodic CSI, it may be considered as the same as the uplink data (e.g., the UL-SCH). For example, the prioritization(s) for the uplink data (e.g., and/or the aperiodic CSI) and/or the UCI (e.g., the HARQ-ACK, the CSI (e.g., the semi-persistent CSI and/or the periodic CSI), and/or the SR) may be defined (e.g., configured, indicated, and/or specified).
- [0123] For example, for the uplink data transmission (e.g., the UL-SCH transmission), a priority may be identified based on an indication (e.g., the priority indicator) included in the DCI format(s) for the uplink (e.g., the DCI format(s) which is used for scheduling of the PUSCH). For example, in a case that the UE 102 detects (e.g., decode, receive) the DCI format(s) including the indication which is set to a value "0", the UE 102 may identify a corresponding PUSCH transmission (e.g., a corresponding uplink data transmission, a corresponding UL-SCH transmission) is a low priority. Additionally or alternatively, in a case that the UE 102 detects the DCI format(s)

including the indication which is set to a value “1”, the UE 102 may identify a corresponding PUSCH transmission is a high priority.

[0124] Here, the aperiodic CSI reporting on the PUSCH (e.g., the aperiodic CSI report (e.g., the aperiodic CSI report transmitted together with the uplink data on the PUSCH)) may be considered as the same as the uplink data transmission on the PUSCH (e.g., the UL-SCH transmission). For example, the gNB 106 may transmit the DCI format(s) which triggers a trigger state (e.g., an aperiodic CSI trigger state, the aperiodic CSI report). And, the UE 102 may perform the aperiodic CSI reporting on the PUSCH based on a decoding (e.g., detecting, receiving) the DCI format(s) which triggers the trigger state. Here, the trigger state is initiated (e.g., indicated) by using the CSI request field in the DCI format(s). Namely, the gNB 106 may transmit the DCI format(s) including the CSI request field set to trigger the aperiodic CSI report. And, the UE 102 may perform the aperiodic CSI reporting on the PUSCH based on the decoding of the DCI format(s) including the CSI request field set to trigger the aperiodic CSI report.

[0125] Additionally or alternatively, for the uplink data transmission, the priority may be identified based on RNTI(s) which is used for scrambling of the CRC (e.g., CRC parity bit(s)) attached to the DCI format(s) for the uplink (e.g., the DCI format(s) which is used for scheduling of the PUSCH). For example, in a case that the UE 102 detects (e.g., decode, receive) the DCI format(s) with the CRC scrambled by the C-RNTI, the UE 102 may identify a corresponding PUSCH transmission (e.g., a corresponding uplink data transmission, a corresponding UL-SCH transmission) is a low priority. Additionally or alternatively, in a case that the UE 102 detects the DCI format(s) with the CRC scrambled by the MCS-C-RNTI and/or the first RNTI, the UE 102 may identify a corresponding PUSCH transmission (e.g., a corresponding uplink data transmission, a corresponding UL-SCH transmission) is a high priority.

[0126] Additionally or alternatively, for the uplink data transmission, the priority may be identified based on the DCI format(s) for the uplink (e.g., the DCI format(s) which is used for scheduling of the PUSCH). For example, in a case that the UE 102 detects (e.g., decode, receive) the DCI format 0_0 and/or the DCI format 0_1, the UE 102 may identify a corresponding PUSCH transmission (e.g., a corresponding uplink data transmission, a corresponding UL-SCH transmission) is a low priority. Additionally or alternatively, in a case that the UE 102 detects the DCI format 0_Y, the UE 102 may identify a corresponding PUSCH transmission is a high priority.

[0127] Here, the PUSCH transmission (e.g., the uplink data (e.g., the UL-SCH) and/or the aperiodic CSI) identified as the low priority described herein may be assumed to be included in a low priority PUSCH transmission (e.g., a low priority uplink data (e.g., the UL-SCH) and/or a low priority aperiodic CSI). Also, the PUSCH transmission (e.g., the uplink data (e.g., the UL-SCH) and/or the aperiodic CSI) identified as the

high priority described herein may be assumed to be included in a high priority PUSCH transmission (e.g., a higher priority uplink data (e.g., the UL-SCH) and/or a high priority aperiodic CSI).

[0128] Additionally or alternatively, for the HARQ-ACK transmission (e.g., on the PUSCH and/or the PUCCH), a priority may be identified based on an indication (e.g., the priority indicator) included in the DCI format(s) for the downlink (e.g., the DCI format(s) which is used for scheduling of the PDSCH). For example, in a case that the UE 102 detects (e.g., decode, receive) the DCI format(s) including the indication which is set to a value "0", the UE 102 may identify the HARQ-ACK (e.g., the HARQ-ACK transmission) for a corresponding PDSCH transmission (e.g., a corresponding PDSCH transmission scheduled by using the DCI format(s) including the indication which is set to the value "0") is a low priority. Additionally or alternatively, in a case that the UE 102 detects the DCI format(s) including the indication which is set to a value "1", the UE 102 may identify the HARQ-ACK (e.g., the HARQ-ACK transmission) for a corresponding PDSCH transmission is a high priority.

[0129] Additionally or alternatively, for the HARQ-ACK transmission, the priority may be identified based on RNTI(s) which is used for scrambling of the CRC (e.g., CRC parity bit(s)) attached to the DCI format(s) for the downlink (e.g., the DCI format(s) which is used for scheduling of the PDSCH). For example, in a case that the UE 102 detects (e.g., decode, receive) the DCI format(s) with the CRC scrambled by the C-RNTI, the UE 102 may identify the HARQ-ACK (e.g., the HARQ-ACK transmission) for a corresponding PDSCH transmission (e.g., the corresponding PDSCH transmission scheduled by using the DCI format(s) with the CRC scrambled by the C-RNTI) is a low priority. Additionally or alternatively, in a case that the UE 102 detects the DCI format(s) with the CRC scrambled by the MCS-C-RNTI and/or the first RNTI, the UE 102 may identify the HARQ-ACK (e.g., the HARQ-ACK transmission) for a corresponding PDSCH transmission (e.g., the corresponding PDSCH transmission scheduled by using the DCI format(s) with the CRC scrambled by the MCS-C-RNTI and/or the first RNTI) is a high priority.

[0130] Additionally or alternatively, for the HARQ-ACK transmission, the priority may be identified based on the DCI format(s) for the downlink (e.g., the DCI format(s) which is used for scheduling of the PDSCH). For example, in a case that the UE 102 detects (e.g., decode, receive) the DCI format 1_0 and/or the DCI format 1_1, the UE 102 may identify the HARQ-ACK (e.g., the HARQ-ACK transmission) for a corresponding PDSCH transmission (e.g., the corresponding PDSCH transmission scheduled by using the DCI format 1_0 and/or the DCI format 1_1) is a low priority. Additionally or alternatively, in a case that the UE 102 detects the DCI format 1_X, the UE 102 may identify the HARQ-ACK (e.g., the HARQ-ACK transmission) for a corresponding

PDSCH transmission (e.g., the corresponding PDSCH transmission scheduled by using the DCI format 1_X) is a high priority.

[0131] Here, the HARQ-ACK transmission (e.g., the HARQ-ACK) identified as the low priority described herein may be assumed to be included in a low priority HARQ-ACK transmission (e.g., a low priority HARQ-ACK). Also, the HARQ-ACK transmission (e.g., the HARQ-ACK) identified as the high priority described herein may be assumed to be included in a high priority HARQ-ACK transmission (e.g., a high priority HARQ-ACK).

[0132] Additionally or alternatively, the gNB 160 may transmit, by using the RRC message, information on a configuration(s) for the semi-persistent CSI reporting(s) (e.g., and/or a configuration(s) for the semi-persistent CSI-RS(s)). Also, the gNB 160 may transmit the DCI format(s) which activates a semi-persistent CSI trigger state(s). For example, the DCI format(s) for the uplink may include the CSI request field which indicates the semi-persistent CSI trigger state(s) to activate or deactivate. And, based on a decoding of the DCI format(s) (e.g., the DCI format(s) for the uplink) which activates the semi-persistent CSI trigger state(s), the UE 102 may perform the semi-persistent CSI reporting(s) on the PUSCH based on the configuration(s) of the semi-persistent CSI reporting(s). Namely, the gNB 160 may transmit the DCI format(s) (e.g., the DCI format(s) for the uplink) including the CSI request set to activate the semi-persistent report(s). And, based on the decoding of the DCI format(s) (e.g., the DCI format(s) including the CSI request field set to activate the semi-persistent CSI report(s), the UE 102 may perform the semi-persistent CSI reporting(s) on the PUSCH according the configuration(s) of the semi-persistent scheduling(s).

[0133] Additionally or alternatively, the gNB 160 may transmit, by using the RRC message, information on a configuration(s) for the periodic CSI reporting(s) (e.g., and/or a configuration(s) for a periodic CSI-RS(s)). And, the UE 102 may perform the periodic CSI reporting(s) on the PUCCH based on the configuration(s) of the periodic CSI reporting(s). Here, in a case that the UE 102 would transmit the PUSCH that overlaps with the PUCCH that includes the periodic CSI report(s), the UE 102 may perform the periodic CSI reporting(s) on the PUSCH. Namely, in the case that the UE 102 would perform the PUSCH transmission(s) that overlaps with the periodic CSI reporting(s) on the PUCCH, the UE 102 may perform the periodic CSI reporting(s) on the PUSCH.

[0134] Here, the configuration(s) for the semi-persistent CSI reporting(s), the configuration(s) for the semi-persistent CSI-RS(s), the configuration(s) for the periodic CSI reporting(s), and/or the configuration for the periodic CSI-RS may be assumed to be included in a configuration of CSI reporting.

[0135] Additionally or alternatively, for the CSI reporting (e.g., the periodic CSI reporting on the PUSCH and/or the PUCCH, the semi-persistent CSI reporting on the PUSCH),

a priority may be identified based on an indication (e.g., the priority indicator). For example, the gNB 160 may transmit, by using the RRC message, the indication used for identifying the priority for the configuration of the CSI reporting. Namely, the gNB 160 may transmit, by using the RRC message, the information (i.e., the information for identifying the priority of the CSI reporting) with information on the configuration of the CSI reporting.

[0136] For example, the gNB 160 may configure the information (i.e., the information for identifying the priority of the CSI reporting) which is set to “0” for a first configuration of the CSI reporting (e.g., a CSI configuration-1, a corresponding configuration of the CSI reporting). And, the UE 102 may identify that the CSI reporting corresponding to the first configuration of the CSI reporting with the information which is set “0” is a low priority. Additionally or alternatively, the gNB 160 may configure the information (i.e., the information for identifying the priority of the CSI reporting) which is set to “1” for a second configuration of the CSI reporting (e.g., a CSI configuration-2, a corresponding configuration of the CSI reporting). And, the UE 102 may identify that the CSI reporting corresponding to the second configuration of the CSI reporting with the information which is set “1” is a high priority.

[0137] As described above, for regarding an identification (e.g., a definition, a specification) for a priority for the semi-persistent CSI, it may be considered as the same as the periodic CSI (e.g., the periodic CSI reporting on the PUCCH). Additionally or alternately, for regarding an identification (e.g., a definition, a specification) for a priority for the semi-persistent CSI, it may be considered as the same as the uplink data (e.g., the uplink data transmission on the PUSCH).

[0138] Here, the CSI reporting (e.g., the CSI) identified as the low priority described herein may be assumed to be included in a low priority CSI reporting (e.g., a low priority CSI). Also, the CSI reporting (e.g., the CSI) identified as the high priority described herein may be assumed to be included in a high priority CSI reporting (e.g., a high priority CSI). Here, the CSI reporting may include only the semi-persistent CSI reporting and/or the periodic CSI reporting. Namely, the CSI reporting may not include the aperiodic CSI reporting.

[0139] Additionally or alternatively, the gNB 160 may transmit, by using the RRC message, information on a configuration(s) for the SR transmission(s). And, the UE 102 may perform the SR transmission on the PUCCH based on the configuration(s) of the SR transmission(s).

[0140] Additionally or alternatively, for the SR transmission(s) (e.g., the SR(s), the SR transmission(s) on the PUCCH), a priority may be identified based on an indication (e.g., the priority indicator). For example, the gNB 160 may transmit, by using the RRC message, the indication used for identifying the priority for the SR

transmission(s). Namely, the gNB 160 may transmit, by using the RRC message, the information (i.e., the information for identifying the priority of the SR transmission(s)) with the information on the configuration of the SR transmissions(s).

- [0141] For example, the gNB 160 may configure the information (i.e., the information for identifying the priority of the SR transmission) which is set to “0” for a first configuration for the SR transmission (e.g., a SR configuration-1, a corresponding configuration for the SR transmission). And, the UE 102 may identify that the SR transmission corresponding to the first configuration for the SR transmission with the information which is set “0” is a low priority. Additionally or alternatively, the gNB 160 may configure the information (i.e., the information for identifying the priority of the SR transmission) which is set to “1” for a second configuration of the SR transmission (e.g., a SR configuration-2, a corresponding configuration of the SR transmission). And, the UE 102 may identify that the SR transmission corresponding to the second configuration of the SR transmission with the information which is set “1” is a high priority.
- [0142] Here, the SR transmission (e.g., the SR) identified as the low priority described herein may be assumed to be included in a low priority SR transmission (e.g., a low priority SR). Also, the SR transmission (e.g., the SR) identified as the high priority described herein may be assumed to be included in a high priority SR transmission (e.g., a high priority SR).
- [0143] Namely, the high priority PUSCH transmission (e.g., the high priority uplink data (e.g., the UL-SCH) and/or the high priority aperiodic CSI) and/or a high priority UCI transmission (e.g., a high priority UCI, a high priority PUCCH transmission) may be defined (e.g., indicated, configured, and/or specified). Here, the high priority UCI transmission may include the high priority HARQ-ACK transmission (e.g., the higher priority HARQ-ACK), the high priority CSI transmission (e.g., the high priority CSI), and/or the high priority SR transmission (e.g., the high priority SR). Also, the low priority PUSCH transmission (e.g., the low priority uplink data (e.g., the UL-SCH) and/or the low priority aperiodic CSI) and/or a low priority UCI transmission (e.g., a low priority UCI, a low priority PUCCH transmission) may be defined (e.g., indicated, configured, and/or specified). Here, the low priority UCI transmission may include the low priority HARQ-ACK transmission (e.g., the low priority HARQ-ACK), the low priority CSI transmission (e.g., the low priority CSI), and/or the low priority SR transmission (e.g., the low priority SR).
- [0144] Additionally or alternatively, in a case that the simultaneous transmission of the PUCCH and PUSCH is configured for a serving cell(s) (e.g., and/or a UL BWP(s)) and the UE 102 would transmit on the serving cell(s) (and/or the UL BWP(s)), the high priority PUSCH that overlaps with the PUCCH for the high priority UCI on the serving

cell(s) (and/or the UL BWP(s)), the UE 102 may perform on the serving cell(s) (and/or the UL BWP(s)), the simultaneous transmission of the high priority PUSCH and the high priority UCI (e.g., the high priority PUCCH). Namely, the UE 102 may perform on the serving cell(s) (and/or the UL BWP(s)), the high priority uplink data transmission on the PUSCH and the high priority UCI transmission on the PUCCH. For example, the UE 102 may perform the high priority uplink data transmission on the PUSCH in the secondary cell and the high priority UCI transmission on the PUCCH in the special cell.

[0145] Additionally or alternatively, in a case that the simultaneous transmission of the PUCCH and PUSCH is configured for a serving cell(s) (e.g., and/or a UL BWP(s)) and the UE 102 would transmit on the serving cell(s) (and/or the UL BWP(s)), the high priority PUSCH that overlaps with the PUCCH for the low priority UCI on the serving cell(s) (and/or the UL BWP(s)), the UE 102 may perform on the serving cell(s) (and/or the UL BWP(s)), the simultaneous transmission of the high priority PUSCH and the low priority UCI (e.g., the low priority PUCCH). Namely, the UE 102 may perform on the serving cell(s) (and/or the UL BWP(s)), the high priority uplink data transmission on the PUSCH and the low priority UCI transmission on the PUCCH. For example, the UE 102 may perform the high priority uplink data transmission on the PUSCH in the secondary cell and the low priority UCI transmission on the PUCCH in the special cell.

[0146] Additionally or alternatively, in a case that the simultaneous transmission of the PUCCH and PUSCH is configured for a serving cell(s) (e.g., and/or a UL BWP(s)) and the UE 102 would transmit on the serving cell(s) (and/or the UL BWP(s)), the low priority PUSCH that overlaps with the PUCCH for the high priority UCI on the serving cell(s) (and/or the UL BWP(s)), the UE 102 may perform on the serving cell(s) (and/or the UL BWP(s)), the simultaneous transmission of the low priority PUSCH and the high priority UCI (e.g., the high priority PUCCH). Namely, the UE 102 may perform on the serving cell(s) (and/or the UL BWP(s)), the low priority uplink data transmission on the PUSCH and the high priority UCI transmission on the PUCCH. For example, the UE 102 may perform the low priority uplink data transmission on the PUSCH in the secondary cell and the high priority UCI transmission on the PUCCH in the special cell.

[0147] Additionally or alternatively, in a case that the simultaneous transmission of the PUCCH and PUSCH is configured for a serving cell(s) (e.g., and/or a UL BWP(s)) and the UE 102 would transmit on the serving cell(s) (and/or the UL BWP(s)), the low priority PUSCH that overlaps with the PUCCH for the low priority UCI on the serving cell(s) (and/or the UL BWP(s)), the UE 102 may perform on the serving cell(s) (and/or the UL BWP(s)), the simultaneous transmission of the low priority PUSCH and the low priority UCI (e.g., the low priority PUCCH). Namely, the UE 102 may perform on

the serving cell(s) (and/or the UL BWP(s)), the low priority uplink data transmission on the PUSCH and the low priority UCI transmission on the PUCCH. For example, the UE 102 may perform the low priority uplink data transmission on the PUSCH in the secondary cell and the low priority UCI transmission on the PUCCH in the special cell.

[0148] Additionally or alternatively, in a case that the simultaneous transmission of the PUCCH and PUSCH is not configured for a serving cell(s) (e.g., and/or a UL BWP(s)) and the UE 102 would transmit on the serving cell(s) (and/or the UL BWP(s)), the high priority PUSCH that overlaps with the PUCCH for the high priority UCI on the serving cell(s) (and/or the UL BWP(s)), the UE 102 may perform on the serving cell(s) (and/or the UL BWP(s)), the transmission of the high priority PUSCH and the high priority UCI on the PUSCH. Namely, the UE 102 may perform multiplexing the high priority UCI with the high priority uplink data on the PUSCH. Namely, the UE 102 may perform on the serving cell(s) (and/or the UL BWP(s)), the transmission of the high priority uplink data and the high priority UCI on the PUSCH. For example, the UE 102 may perform the transmission of the high priority uplink data and the high priority UCI on the PUSCH in the serving cell(s) (e.g., the special cell and/or the secondary cell(s)).

[0149] Additionally or alternatively, in a case that the simultaneous transmission of the PUCCH and PUSCH is not configured for a serving cell(s) (e.g., and/or a UL BWP(s)) and the UE 102 would transmit on the serving cell(s) (and/or the UL BWP(s)), the high priority PUSCH that overlaps with the PUCCH for the low priority UCI on the serving cell(s) (and/or the UL BWP(s)), the UE 102 may perform on the serving cell(s) (and/or the UL BWP(s)), the transmission of the high priority PUSCH. Additionally or alternatively, the UE 102 may drop the low priority UCI (e.g., the low priority UCI transmission, the low priority PUCCH transmission). Namely, the UE 102 may perform on the serving cell(s) (and/or the UL BWP(s)), the high priority uplink data transmission on the PUSCH, and drop the low priority UCI transmission on the PUCCH. For example, the UE 102 may perform the high priority uplink data transmission on the PUSCH in the secondary cell. Also, the UE 102 may drop the low priority UCI transmission on the PUCCH in the special cell.

[0150] Additionally or alternatively, in a case that the simultaneous transmission of the PUCCH and PUSCH is not configured for a serving cell(s) (e.g., and/or a UL BWP(s)) and the UE 102 would transmit on the serving cell(s) (and/or the UL BWP(s)), the low priority PUSCH that overlaps with the PUCCH for the high priority UCI on the serving cell(s) (and/or the UL BWP(s)), the UE 102 may perform on the serving cell(s) (and/or the UL BWP(s)), the transmission of the high priority UCI (e.g., the high priority PUCCH). Additionally or alternatively, the UE 102 may drop the low priority uplink data (e.g., the low priority uplink data transmission, the low priority PUSCH transmission). Namely, the UE 102 may perform on the serving cell(s) (and/or the UL

BWP(s)), the high priority UCI transmission on the PUCCH, and the low priority uplink data transmission on the PUSCH. For example, the UE 102 may perform the high priority UCI transmission on the PUCCH in the special cell. Also, the UE 102 may drop the low priority uplink data transmission on the PUSCH in the secondary cell.

- [0151] Additionally or alternatively, in a case that the simultaneous transmission of the PUCCH and PUSCH is not configured for a serving cell(s) (e.g., and/or a UL BWP(s)) and the UE 102 would transmit on the serving cell(s) (and/or the UL BWP(s)), the low priority PUSCH that overlaps with the PUCCH for the low priority UCI on the serving cell(s) (and/or the UL BWP(s)), the UE 102 may perform on the serving cell(s) (and/or the UL BWP(s)), the transmission of the low priority PUSCH and the low priority UCI on the PUSCH. Namely, the UE 102 may perform multiplexing the low priority UCI with the low priority uplink data on the PUSCH. Namely, the UE 102 may perform on the serving cell(s) (and/or the UL BWP(s)), the transmission of the low priority uplink data and the low priority UCI on the PUSCH. For example, the UE 102 may perform the transmission of the low priority uplink data and the low priority UCI on the PUSCH in the serving cell(s) (e.g., the special cell and/or the secondary cell(s)).
- [0152] Additionally or alternatively, in a case that the simultaneous transmission of the PUCCH and PUSCH is configured for a serving cell(s) (e.g., and/or a UL BWP(s)) and the UE 102 would transmit on the serving cell(s) (and/or the UL BWP(s)), the high priority PUSCH that overlaps with the PUCCH for the high priority UCI and the PUCCH for the low priority UCI on the serving cell(s) (and/or the UL BWP(s)), the UE 102 may perform on the serving cell(s) (and/or the UL BWP(s)), the simultaneous transmission of the high priority PUSCH (e.g., and/or the low priority UCI) and the high priority UCI (e.g., the high priority PUCCH). Namely, the UE 102 may perform multiplexing the low priority UCI with the high priority uplink data on the PUSCH. Namely, the UE 102 may perform on the serving cell(s) (and/or the UL BWP(s)), the transmission of the high priority uplink data (e.g., and/or the low priority UCI) on the PUSCH and the high priority UCI on the PUCCH. For example, the UE 102 may perform the transmission of the high priority uplink data (e.g., and/or the low priority UCI) on the PUSCH in the secondary cell and the high priority UCI on the PUCCH in the special cell.
- [0153] Additionally or alternatively, in a case that the simultaneous transmission of the PUCCH and PUSCH is configured for a serving cell(s) (e.g., and/or a UL BWP(s)) and the UE 102 would transmit on the serving cell(s) (and/or the UL BWP(s)), the low priority PUSCH that overlaps with the PUCCH for the high priority HARQ-ACK and the PUCCH for the low priority UCI on the serving cell(s) (and/or the UL BWP(s)), the UE 102 may perform on the serving cell(s) (and/or the UL BWP(s)), the si-

multaneous transmission of the low priority PUSCH (e.g., and/or the low priority UCI) and the high priority UCI (e.g., the high priority PUCCH). Namely, the UE 102 may perform multiplexing the low priority UCI with the low priority uplink data on the PUSCH. Namely, the UE 102 may perform on the serving cell(s) (and/or the UL BWP(s)), the transmission of the low priority uplink data (e.g., and/or the low priority UCI) on the PUSCH and the high priority UCI on the PUCCH. For example, the UE 102 may perform the transmission of the low priority uplink data (e.g., and/or the low priority UCI) on the PUSCH in the secondary cell and the high priority UCI on the PUCCH in the special cell.

[0154] Additionally or alternatively, in a case that the simultaneous transmission of the PUCCH and PUSCH is not configured for a serving cell(s) (e.g., and/or a UL BWP(s)) and the UE 102 would transmit on the serving cell(s) (and/or the UL BWP(s)), the high priority PUSCH that overlaps with the PUCCH for the high priority UCI and the PUCCH for the low priority UCI on the serving cell(s) (and/or the UL BWP(s)), the UE 102 may perform on the serving cell(s) (and/or the UL BWP(s)), the transmission of the high priority PUSCH and the high priority UCI on the PUSCH. Namely, the UE 102 may perform multiplexing the high priority UCI with the high priority uplink data on the PUSCH. Additionally or alternatively, the UE 102 may drop the low priority UCI (e.g., the low priority UCI transmission). Namely, the UE 102 may perform on the serving cell(s) (and/or the UL BWP(s)), the transmission of the high priority uplink data and the high priority UCI on the PUSCH, and drop the low priority UCI transmission on the PUCCH. For example, the UE 102 may perform the transmission of the high priority uplink data and the high priority UCI on the PUSCH in the secondary cell. Also, the UE 102 may drop the low priority UCI on the PUCCH in the special cell.

[0155] Additionally or alternatively, in a case that the simultaneous transmission of the PUCCH and PUSCH is not configured for a serving cell(s) (e.g., and/or a UL BWP(s)) and the UE 102 would transmit on the serving cell(s) (and/or the UL BWP(s)), the low priority PUSCH that overlaps with the PUCCH for the high priority HARQ-ACK and the PUCCH for the low priority UCI on the serving cell(s) (and/or the UL BWP(s)), the UE 102 may perform on the serving cell(s) (and/or the UL BWP(s)), the transmission of the high priority UCI on the PUCCH. Additionally or alternatively, the UE 102 may drop the low priority uplink data (e.g., the low priority PUSCH transmission) and the low priority UCI (e.g., the low priority UCI transmission). Namely, the UE 102 may perform on the serving cell(s) (and/or the UL BWP(s)), the transmission of the high priority UCI on the PUCCH, and drop the low priority PUSCH transmission and the low priority UCI transmission on the PUCCH. For example, the UE 102 may perform the transmission of the high priority UCI on the

PUCCH in the special cell. Also, the UE 102 may drop the low priority uplink data transmission on the PUSCH in the secondary cell. Also, the UE 102 may drop the low priority UCI transmission on the PUCCH in the special cell.

- [0156] As described above, the UE 102 may switch (e.g., change) the behavior for the UL signal(s) transmission based on the priority of the UL signal(s) and/or whether or not the simultaneous transmission(s) of the PUCCH and the PUSCH (e.g., the third information) is configured for the serving cell(s) (e.g., and/or the UL BWP(s)). Here, as described above, the priority of the UL signal(s) may be identified based on the indication (e.g., configured and/or indicated). Also, the priority of the UL signal(s) may be identified based on the RNTI used for scrambling of the CRC attached to the DCI format(s) (e.g., the DCI format(s) corresponding to the UL signal(s)). Also, the priority of the UL signal(s) may be identified based on the DCI format(s) (e.g., the DCI format(s) corresponding to the UL signal(s)). Also, the simultaneous transmission(s) of the PUCCH and the PUSCH (e.g., the third information) is configured for (e.g., associated with) the serving cell(s) (e.g., and/or the UL BWP(s)).
- [0157] As described above, the UE 102 may monitor the PDCCH (e.g., for the DCI format(s) for the downlink and/or the DCI format(s) for the uplink) in the CSS. For example, the UE 102 may monitor the PDCCH in the CSS associated with the CORESET#0. Also, the UE 102 may monitor the PDCCH in the CSS not associated with the CORESET#0. Also, the UE 102 may monitor the PDCCH (e.g., for the DCI format(s) for the downlink and/or the DCI format(s) for the uplink) in the USS. For example, the UE 102 may monitor the PDCCH in the USS (e.g., the USS not associated with the CORESET#0). Here, the priority of the UL signal(s) may not be applied for the UL signal(s) corresponding to the PDCCH (e.g., the DCI format(s) for the downlink and/or the DCI format(s) for the uplink) detected in the CSS. Namely, the priority of the UL signal(s) may be applied only for the UL signal(s) corresponding to the PDCCH (e.g., the DCI format(s) for the downlink and/or the DCI format(s) for the uplink) detected in the USS. Namely, the description(s) related to the priority of the UL signal(s) above may be applied only for the UL signal(s) corresponding to the PDCCH (e.g., the DCI format(s) for the downlink and/or the DCI format(s) for the uplink) detected in the USS.
- [0158] Namely, regardless of the configuration (e.g., the third information) for the simultaneous transmission of the PUCCH and the PUSCH (i.e., regardless of the third information is configured and/or not configured), the UE 102 may perform the UL signal(s) transmission corresponding to the PDCCH (e.g., the DCI format(s) for the downlink and/or the DCI format(s) for the uplink) detected in the CSS, in a case that the PDCCH (e.g., the DCI format(s) for the downlink and/or the DCI format(s) for the uplink) detected in the CSS.

- [0159] Additionally or alternatively, the priority of the UL signal(s) may not be applied for the UL signal(s) corresponding to the PDCCH (e.g., the DCI format(s) for the downlink and/or the DCI format(s) for the uplink) detected in the CSS associated with the CORESET#0. Namely, the priority of the UL signal(s) may be applied only for the UL signal(s) corresponding to the PDCCH (e.g., the DCI format(s) for the downlink and/or the DCI format(s) for the uplink) detected in the USS and/or the CSS not associated with the CORESET#0. Namely, the description(s) related to the priority of the UL signal(s) above may be applied only for the UL signal(s) corresponding to the PDCCH (e.g., the DCI format(s) for the downlink and/or the DCI format(s) for the uplink) detected in the USS and/or the CSS not associated with the CORESET#0.
- [0160] Namely, regardless of the configuration (e.g., the third information) for the simultaneous transmission of the PUCCH and the PUSCH (i.e., regardless of the third information is configured and/or not configured), the UE 102 may perform the UL signal(s) transmission corresponding to the PDCCH (e.g., the DCI format(s) for the downlink and/or the DCI format(s) for the uplink) detected in the CSS associated with the CORESET#0, in a case that the PDCCH (e.g., the DCI format(s) for the downlink and/or the DCI format(s) for the uplink) detected in the CSS associated with the CORESET#0.
- [0161] Here, the UL signal(s) (e.g., the UL signal(s) transmission) corresponding to the PDCCH (e.g., the DCI format(s) for the downlink and/or the DCI format(s) for the uplink) detected in the CSS may be assumed to be included in a first UL signal(s). Additionally or alternatively, the UL signal(s) (e.g., the UL signal(s) transmission) corresponding to the PDCCH (e.g., the DCI format(s) for the downlink and/or the DCI format(s) for the uplink) detected in the CSS associated with the CORESET#0 may be assumed to be included in the first UL signal(s).
- [0162] Namely, the uplink data transmission and/or the aperiodic CSI reporting (e.g., the PUSCH transmission) corresponding to the PDCCH (e.g., scheduled by using the DCI format(s) for the uplink) detected in the CSS may be assumed to be included in a first PUSCH transmission. Additionally or alternatively, the uplink data transmission and/or the aperiodic CSI reporting (e.g., the PUSCH transmission) corresponding to the PDCCH (e.g., scheduled by using the DCI format(s) for the uplink) detected in the CSS associated with the CORESET#0 may be assumed to be included in the first PUSCH transmission.
- [0163] Also, the HARQ-ACK transmission corresponding to the PDSCH (e.g., the PDSCH transmission) scheduled by using the PDCCH (e.g., the DCI format(s) for the downlink) detected in the CSS may be assumed to be included in a first HARQ-ACK transmission. Additionally or alternatively, the HARQ-ACK transmission corresponding to the PDSCH (e.g., the PDSCH transmission) scheduled by using the

PDCCH (e.g., the DCI format(s) for the downlink) detected in the CSS associated with the CORESET#0 may be assumed to be included in the first HARQ-ACK transmission. Namely, the PUCCH transmission (e.g., HARQ-ACK transmission) corresponding to the PDSCH (e.g., the PDSCH transmission) scheduled by using the PDCCH (e.g., the DCI format(s) for the downlink) detected in the CSS may be assumed to be included in a first PUCCH transmission. Additionally or alternatively, the PUCCH transmission (e.g., the HARQ-ACK transmission) corresponding to the PDSCH (e.g., the PDSCH transmission) scheduled by using the PDCCH (e.g., the DCI format(s) for the downlink) detected in the CSS associated with the CORESET#0 may be assumed to be included in the first PUCCH transmission.

[0164] For example, in a case that the UE 102 would transmit on the serving cell(s) (and/or the UL BWP(s)), the high priority PUSCH (e.g., the high priority PUSCH transmission) that overlaps with the first PUSCH (e.g. the first PUSCH transmission) on the serving cell(s), the UE 102 may perform the first PUSCH transmission. Additionally or alternatively, the UE 102 may drop the high priority PUSCH (e.g., the high priority PUSCH transmission). Namely, the UE 102 may perform on the serving cell(s) (and/or the UL BWP(s)), the first PUSCH transmission, and drop the high priority PUSCH transmission.

[0165] Additionally or alternatively, in a case that the UE 102 would transmit on the serving cell(s) (and/or the UL BWP(s)), the low priority PUSCH (e.g., the low priority PUSCH transmission) that overlaps with the first PUSCH (e.g., the first PUSCH transmission) on the serving cell(s), the UE 102 may perform the first PUSCH transmission. Additionally or alternatively, the UE 102 may drop the low priority PUSCH (e.g., the low priority PUSCH transmission). Namely, the UE 102 may perform on the serving cell(s) (and/or the UL BWP(s)), the first PUSCH transmission, and drop the low priority PUSCH transmission.

[0166] Additionally or alternatively, in a case that the UE 102 would transmit on the serving cell(s) (and/or the UL BWP(s)), the first PUSCH (e.g., the first PUSCH transmission) that overlaps with the high priority PUSCH (e.g., the high priority PUSCH transmission) and the low priority PUSCH (e.g., the low priority PUSCH transmission) on the serving cell(s), the UE 102 may perform on the serving cell(s) the first PUSCH transmission. Additionally or alternatively, the UE 102 may drop the high priority PUSCH (e.g., the high priority PUSCH transmission) and the low priority PUSCH (e.g., the low PUSCH transmission). Namely, the UE 102 may perform on the serving cell(s) (and/or the UL BWP(s)), the first PUSCH transmission, and drop the high priority PUSCH transmission and the low priority PUSCH transmission.

[0167] Additionally or alternatively, in a case that the UE 102 would transmit on the serving cell(s) (and/or the UL BWP(s)), the high priority HARQ-ACK (e.g., the high priority

PUCCH transmission) that overlaps with the first HARQ-ACK (e.g. the first PUCCH transmission) on the serving cell(s), the UE 102 may perform the first HARQ-ACK transmission (e.g., the first PUCCH transmission). Additionally or alternatively, the UE 102 may drop the high priority HARQ-ACK transmission (e.g., the high priority PUCCH transmission). Namely, the UE 102 may perform on the serving cell(s) (and/or the UL BWP(s)), the first HARQ-ACK transmission (e.g., the first PUCCH transmission), and drop the high priority HARQ-ACK transmission (e.g., the high priority PUCCH transmission).

[0168] Additionally or alternatively, in a case that the UE 102 would transmit on the serving cell(s) (and/or the UL BWP(s)), the low priority HARQ-ACK (e.g., the low priority PUCCH transmission) that overlaps with the first HARQ-ACK (e.g., the first PUCCH transmission) on the serving cell(s), the UE 102 may perform the first HARQ-ACK transmission. Additionally or alternatively, the UE 102 may drop the low priority HARQ-ACK (e.g., the low priority PUCCH transmission). Namely, the UE 102 may perform on the serving cell(s) (and/or the UL BWP(s)), the first HARQ-ACK transmission (e.g., the first PUCCH transmission), and drop the low priority HARQ-ACK transmission (e.g., the low priority PUCCH transmission).

[0169] Additionally or alternatively, in a case that the UE 102 would transmit on the serving cell(s) (and/or the UL BWP(s)), the first HARQ-ACK (e.g., the first PUCCH transmission) that overlaps with the high priority HARQ-ACK (e.g., the high priority PUCCH transmission) and the low priority HARQ-ACK (e.g., the low priority PUCCH transmission) on the serving cell(s), the UE 102 may perform on the serving cell(s) the first HARQ-ACK transmission (e.g., the first PUCCH transmission). Additionally or alternatively, the UE 102 may drop the high priority HARQ-ACK (e.g., the high priority PUCCH transmission) and the low priority HARQ-ACK (e.g., the low priority PUCCH transmission). Namely, the UE 102 may perform on the serving cell(s) (and/or the UL BWP(s)), the first HARQ-ACK transmission (e.g., the first PUCCH transmission), and drop the high priority HARQ-ACK (e.g., the high priority PUCCH transmission) and the low priority HARQ-ACK (e.g., the low priority PUCCH transmission).

[0170] Namely, in a case that UE 102 would transmit on the serving cell(s) (and/or the UL BWP(s)), the first PUSCH that overlaps with the high priority PUSCH on the serving cell(s), the UE 102 may perform the first PUSCH transmission on the serving cell(s), and drop the high priority PUSCH transmission. Additionally or alternatively, in a case that UE 102 would transmit on the serving cell(s) (and/or the UL BWP(s)), the first PUSCH that overlaps with the low priority PUSCH on the serving cell(s), the UE 102 may perform the first PUSCH transmission on the serving cell(s), and drop the low priority PUSCH transmission. Additionally or alternatively, in a case that UE 102

would transmit on the serving cell(s) (and/or the UL BWP(s)), the first PUSCH that overlaps with the high priority PUSCH and the low priority PUSCH on the serving cell(s), the UE 102 may perform the first PUSCH transmission on the serving cell(s), and drop the high priority PUSCH transmission and the low priority PUSCH transmission.

[0171] Additionally or alternatively, in a case that UE 102 would transmit on the serving cell(s) (and/or the UL BWP(s)), the PUCCH for the first HARQ-ACK that overlaps with the PUCCH for the high priority HARQ-ACK on the serving cell(s), the UE 102 may perform the first HARQ-ACK transmission on the PUCCH (e.g., of the serving cell(s)), and drop the high priority HARQ-ACK transmission. Additionally or alternatively, in a case that UE 102 would transmit on the serving cell(s) (and/or the UL BWP(s)), the PUCCH for the first HARQ-ACK that overlaps with the PUCCH for the low priority HARQ-ACK on the serving cell(s), the UE 102 may perform the first HARQ-ACK transmission on the PUCCH (e.g., of the serving cell(s)), and drop the low priority HARQ-ACK transmission. Additionally or alternatively, in a case that UE 102 would transmit on the serving cell(s) (and/or the UL BWP(s)), the PUCCH for the first HARQ-ACK that overlaps with the PUCCH for the high priority HARQ-ACK and the PUCCH for the low priority HARQ-ACK on the serving cell(s), the UE 102 may perform the first HARQ-ACK transmission on the PUCCH (e.g., of the serving cell(s)), and drop the high priority HARQ-ACK transmission and the low priority HARQ-ACK transmission.

[0172] Figure 7 illustrates various components that may be utilized in a UE 702. The UE 702 described in connection with Figure 7 may be implemented in accordance with the UE 102 described in connection with Figure 1. The UE 702 includes a processor 703 that controls operation of the UE 702. The processor 703 may also be referred to as a central processing unit (CPU). Memory 705, which may include read-only memory (ROM), random access memory (RAM), a combination of the two or any type of device that may store information, provides instructions 707a and data 709a to the processor 703. A portion of the memory 705 may also include non-volatile random access memory (NVRAM). Instructions 707b and data 709b may also reside in the processor 703. Instructions 707b and/or data 709b loaded into the processor 703 may also include instructions 707a and/or data 709a from memory 705 that were loaded for execution or processing by the processor 703. The instructions 707b may be executed by the processor 703 to implement the methods described herein.

[0173] The UE 702 may also include a housing that contains one or more transmitters 758 and one or more receivers 720 to allow transmission and reception of data. The transmitter(s) 758 and receiver(s) 720 may be combined into one or more transceivers 718. One or more antennas 722a-n are attached to the housing and electrically coupled

to the transceiver 718.

[0174] The various components of the UE 702 are coupled together by a bus system 711, which may include a power bus, a control signal bus and a status signal bus, in addition to a data bus. However, for the sake of clarity, the various buses are illustrated in Figure 7 as the bus system 711. The UE 702 may also include a digital signal processor (DSP) 713 for use in processing signals. The UE 702 may also include a communications interface 715 that provides user access to the functions of the UE 702. The UE 702 illustrated in Figure 7 is a functional block diagram rather than a listing of specific components.

[0175] Figure 8 illustrates various components that may be utilized in a gNB 860. The gNB 860 described in connection with Figure 8 may be implemented in accordance with the gNB 160 described in connection with Figure 1. The gNB 860 includes a processor 803 that controls operation of the gNB 860. The processor 803 may also be referred to as a central processing unit (CPU). Memory 805, which may include read-only memory (ROM), random access memory (RAM), a combination of the two or any type of device that may store information, provides instructions 807a and data 809a to the processor 803. A portion of the memory 805 may also include non-volatile random access memory (NVRAM). Instructions 807b and data 809b may also reside in the processor 803. Instructions 807b and/or data 809b loaded into the processor 803 may also include instructions 807a and/or data 809a from memory 805 that were loaded for execution or processing by the processor 803. The instructions 807b may be executed by the processor 803 to implement the methods described herein.

[0176] The gNB 860 may also include a housing that contains one or more transmitters 817 and one or more receivers 878 to allow transmission and reception of data. The transmitter(s) 817 and receiver(s) 878 may be combined into one or more transceivers 876. One or more antennas 880a-n are attached to the housing and electrically coupled to the transceiver 876.

[0177] The various components of the gNB 860 are coupled together by a bus system 811, which may include a power bus, a control signal bus and a status signal bus, in addition to a data bus. However, for the sake of clarity, the various buses are illustrated in Figure 8 as the bus system 811. The gNB 860 may also include a digital signal processor (DSP) 813 for use in processing signals. The gNB 860 may also include a communications interface 815 that provides user access to the functions of the gNB 860. The gNB 860 illustrated in Figure 8 is a functional block diagram rather than a listing of specific components.

[0178] Figure 9 is a block diagram illustrating one implementation of a UE 902 in which one or more of the systems and/or methods described herein may be implemented. The UE 902 includes transmit means 958, receive means 920 and control means 924. The

transmit means 958, receive means 920 and control means 924 may be configured to perform one or more of the functions described in connection with Figure 1 above. Figure 7 above illustrates one example of a concrete apparatus structure of Figure 9. Other various structures may be implemented to realize one or more of the functions of Figure 1. For example, a DSP may be realized by software.

[0179] Figure 10 is a block diagram illustrating one implementation of a gNB 1060 in which one or more of the systems and/or methods described herein may be implemented. The gNB 1060 includes transmit means 1017, receive means 1078 and control means 1082. The transmit means 1017, receive means 1078 and control means 1082 may be configured to perform one or more of the functions described in connection with Figure 1 above. Figure 8 above illustrates one example of a concrete apparatus structure of Figure 10. Other various structures may be implemented to realize one or more of the functions of Figure 1. For example, a DSP may be realized by software.

[0180] Figure 11 is a block diagram illustrating one implementation of a gNB 1160. The gNB 1160 may be an example of the gNB 160 described in connection with Figure 1. The gNB 1160 may include a higher layer processor 1123, a DL transmitter 1125, a UL receiver 1133, and one or more antenna 1131. The DL transmitter 1125 may include a PDCCH transmitter 1127 and a PDSCH transmitter 1129. The UL receiver 1133 may include a PUCCH receiver 1135 and a PUSCH receiver 1137.

[0181] The higher layer processor 1123 may manage physical layer's behaviors (the DL transmitter's and the UL receiver's behaviors) and provide higher layer parameters to the physical layer. The higher layer processor 1123 may obtain transport blocks from the physical layer. The higher layer processor 1123 may send/acquire higher layer messages such as an RRC message and MAC message to/from a UE's higher layer. The higher layer processor 1123 may provide the PDSCH transmitter transport blocks and provide the PDCCH transmitter transmission parameters related to the transport blocks.

[0182] The DL transmitter 1125 may multiplex downlink physical channels and downlink physical signals (including reservation signal) and transmit them via transmission antennas 1131. The UL receiver 1133 may receive multiplexed uplink physical channels and uplink physical signals via receiving antennas 1131 and de-multiplex them. The PUCCH receiver 1135 may provide the higher layer processor 1123 UCI. The PUSCH receiver 1137 may provide the higher layer processor 1123 received transport blocks.

[0183] Figure 12 is a block diagram illustrating one implementation of a UE 1202. The UE 1202 may be an example of the UE 102 described in connection with Figure 1. The UE 1202 may include a higher layer processor 1223, a UL transmitter 1251, a DL receiver 1243, and one or more antenna 1231. The UL transmitter 1251 may include a PUCCH

transmitter 1253 and a PUSCH transmitter 1255. The DL receiver 1243 may include a PDCCH receiver 1245 and a PDSCH receiver 1247.

- [0184] The higher layer processor 1223 may manage physical layer's behaviors (the UL transmitter's and the DL receiver's behaviors) and provide higher layer parameters to the physical layer. The higher layer processor 1223 may obtain transport blocks from the physical layer. The higher layer processor 1223 may send/acquire higher layer messages such as an RRC message and MAC message to/from a UE's higher layer. The higher layer processor 1223 may provide the PUSCH transmitter transport blocks and provide the PUCCH transmitter 1253 UCI.
- [0185] The DL receiver 1243 may receive multiplexed downlink physical channels and downlink physical signals via receiving antennas 1231 and de-multiplex them. The PDCCH receiver 1245 may provide the higher layer processor 1223 DCI. The PDSCH receiver 1247 may provide the higher layer processor 1223 received transport blocks.
- [0186] As described herein, some methods for the DL and/or UL transmissions may be applied (e.g., specified). Here, the combination of one or more of the some methods described herein may be applied for the DL and/or UL transmission. The combination of the one or more of the some methods described herein may not be precluded in the described systems and methods.
- [0187] It should be noted that names of physical channels described herein are examples. The other names such as "NRPDCCH, NRPSCH, NRPUCCH and NRPUSCH," "new Generation-(G)PDCCH, GPDSCH, GPUCC and GPUSCH" or the like can be used.
- [0188] The term "computer-readable medium" refers to any available medium that can be accessed by a computer or a processor. The term "computer-readable medium," as used herein, may denote a computer- and/or processor-readable medium that is non-transitory and tangible. By way of example and not limitation, a computer-readable or processor-readable medium may comprise RAM, ROM, EEPROM, CD-ROM or other optical disk storage, magnetic disk storage or other magnetic storage devices, or any other medium that can be used to carry or store desired program code in the form of instructions or data structures and that can be accessed by a computer or processor. Disk and disc, as used herein, includes compact disc (CD), laser disc, optical disc, digital versatile disc (DVD), floppy disk and Blu-ray® disc where disks usually reproduce data magnetically, while discs reproduce data optically with lasers.

It should be noted that one or more of the methods described herein may be im-

plemented in and/or performed using hardware. For example, one or more of the methods described herein may be implemented in and/or realized using a chipset, an application-specific integrated circuit (ASIC), a large-scale integrated circuit (LSI) or integrated circuit, etc.

[0189] Each of the methods disclosed herein comprises one or more steps or actions for achieving the described method. The method steps and/or actions may be interchanged with one another and/or combined into a single step without departing from the scope of the claims. In other words, unless a specific order of steps or actions is required for proper operation of the method that is being described, the order and/or use of specific steps and/or actions may be modified without departing from the scope of the claims.

[0190] It is to be understood that the claims are not limited to the precise configuration and components illustrated above. Various modifications, changes and variations may be made in the arrangement, operation and details of the systems, methods and apparatus described herein without departing from the scope of the claims.

[0191] A program running on the gNB 160 or the UE 102 according to the described systems and methods is a program (a program for causing a computer to operate) that controls a CPU and the like in such a manner as to realize the function according to the described systems and methods. Then, the information that is handled in these apparatuses is temporarily stored in a RAM while being processed. Thereafter, the information is stored in various ROMs or HDDs, and whenever necessary, is read by the CPU to be modified or written. As a recording medium on which the program is stored, among a semiconductor (for example, a ROM, a nonvolatile memory card, and the like), an optical storage medium (for example, a DVD, a MO, a MD, a CD, a BD and the like), a magnetic storage medium (for example, a magnetic tape, a flexible disk and the like) and the like, any one may be possible. Furthermore, in some cases, the function according to the described systems and methods described herein is realized by running the loaded program, and in addition, the function according to the described systems and methods is realized in conjunction with an operating system or other application programs, based on an instruction from the program.

[0192] Furthermore, in a case where the programs are available on the market, the program stored on a portable recording medium can be distributed or the program can be transmitted to a server computer that connects through a network such as the Internet. In this case, a storage device in the server computer also is included. Furthermore, some or all of the gNB 160 and the UE 102 according to the systems and methods described herein may be realized as an LSI that is a typical integrated circuit. Each functional block of the gNB 160 and the UE 102 may be individually built into a chip, and some or all functional blocks may be integrated into a chip. Furthermore, a technique of the integrated circuit is not limited to the LSI, and an integrated circuit for

the functional block may be realized with a dedicated circuit or a general-purpose processor. Furthermore, if with advances in a semiconductor technology, a technology of an integrated circuit that substitutes for the LSI appears, it is also possible to use an integrated circuit to which the technology applies.

[0193] Moreover, each functional block or various features of the base station device and the terminal device used in each of the aforementioned embodiments may be implemented or executed by a circuitry, which is typically an integrated circuit or a plurality of integrated circuits. The circuitry designed to execute the functions described in the present specification may comprise a general-purpose processor, a digital signal processor (DSP), an application specific or general application integrated circuit (ASIC), a field programmable gate array (FPGA), or other programmable logic devices, discrete gates or transistor logic, or a discrete hardware component, or a combination thereof. The general-purpose processor may be a microprocessor, or alternatively, the processor may be a conventional processor, a controller, a microcontroller, or a state machine. The general-purpose processor or each circuit described herein may be configured by a digital circuit or may be configured by an analogue circuit. Further, when a technology of making into an integrated circuit superseding integrated circuits at the present time appears due to advancement of a semiconductor technology, the integrated circuit by this technology is also able to be used.

[0194] <Cross Reference>

This Nonprovisional application claims priority under 35 U.S.C. § 119 on provisional Application No. 62,905,836 on September 25 2019, the entire contents of which are hereby incorporated by reference.

[0195] What is claimed is:

Claims

- [Claim 1] A user equipment (UE) comprising:
receiving circuitry configured to receive a radio resource control (RRC) message comprising information used for configuring a simultaneous transmission of a physical uplink control channel (PUCCH) and a physical uplink shared channel (PUSCH), the information being configured for a special cell, the information being associated with an index of an uplink bandwidth part (UL BWP), and
transmitting circuitry configured to perform the simultaneous transmission of the PUCCH and the PUSCH based on the information, the transmission of the PUCCH being performed on an UL BWP of the special cell, the transmission of the PUSCH being performed on an UL BWP identified by the index of the UL BWP associated with the information.
- [Claim 2] The UE according to claim 1, wherein
the UL BWP identified by the index of the UL BWP with the information is an UL BWP of a secondary cell.
- [Claim 3] The base station apparatus comprising:
transmitting circuitry configured to transmit a radio resource control (RRC) message comprising information used for configuring a simultaneous transmission of a physical uplink control channel (PUCCH) and a physical uplink shared channel (PUSCH), the information being configured for a special cell, the information being associated with an index of an uplink bandwidth part (UL BWP), and
receiving circuitry configured to receive the simultaneous transmission of the PUCCH and the PUSCH based on the information, the transmission of the PUCCH being performed on an UL BWP of the special cell, the transmission of the PUSCH being performed on an UL BWP identified by the index of the UL BWP associated with the information.
- [Claim 4] The base station apparatus according to claim 3, wherein
the UL BWP identified by the index of the UL BWP with the information is an UL BWP of a secondary cell.
- [Claim 5] A communication method of a user equipment comprising:
receiving a radio resource control (RRC) message comprising information used for configuring a simultaneous transmission of a physical uplink control channel (PUCCH) and a physical uplink shared

channel (PUSCH), the information being configured for a special cell, the information being associated with an index of an uplink bandwidth part (UL BWP), and

performing the simultaneous transmission of the PUCCH and the PUSCH based on the information, the transmission of the PUCCH being performed on an UL BWP of the special cell, the transmission of the PUSCH being performed on an UL BWP identified by the index of the UL BWP associated with the information.

[Claim 6] The communication method according to claim 5, wherein the UL BWP identified by the index of the UL BWP with the information is an UL BWP of a secondary cell.

[Claim 7] A communication method of the base station apparatus comprising: transmitting a radio resource control (RRC) message comprising information used for configuring a simultaneous transmission of a physical uplink control channel (PUCCH) and a physical uplink shared channel (PUSCH), the information being configured for a special cell, the information being associated with an index of an uplink bandwidth part (UL BWP), and receiving the simultaneous transmission of the PUCCH and the PUSCH based on the information, the transmission of the PUCCH being performed on an UL BWP of the special cell, the transmission of the PUSCH being performed on an UL BWP identified by the index of the UL BWP associated with the information.

[Claim 8] The communication method according to claim 7, wherein the UL BWP identified by the index of the UL BWP with the information is an UL BWP of a secondary cell.

[Fig. 1]

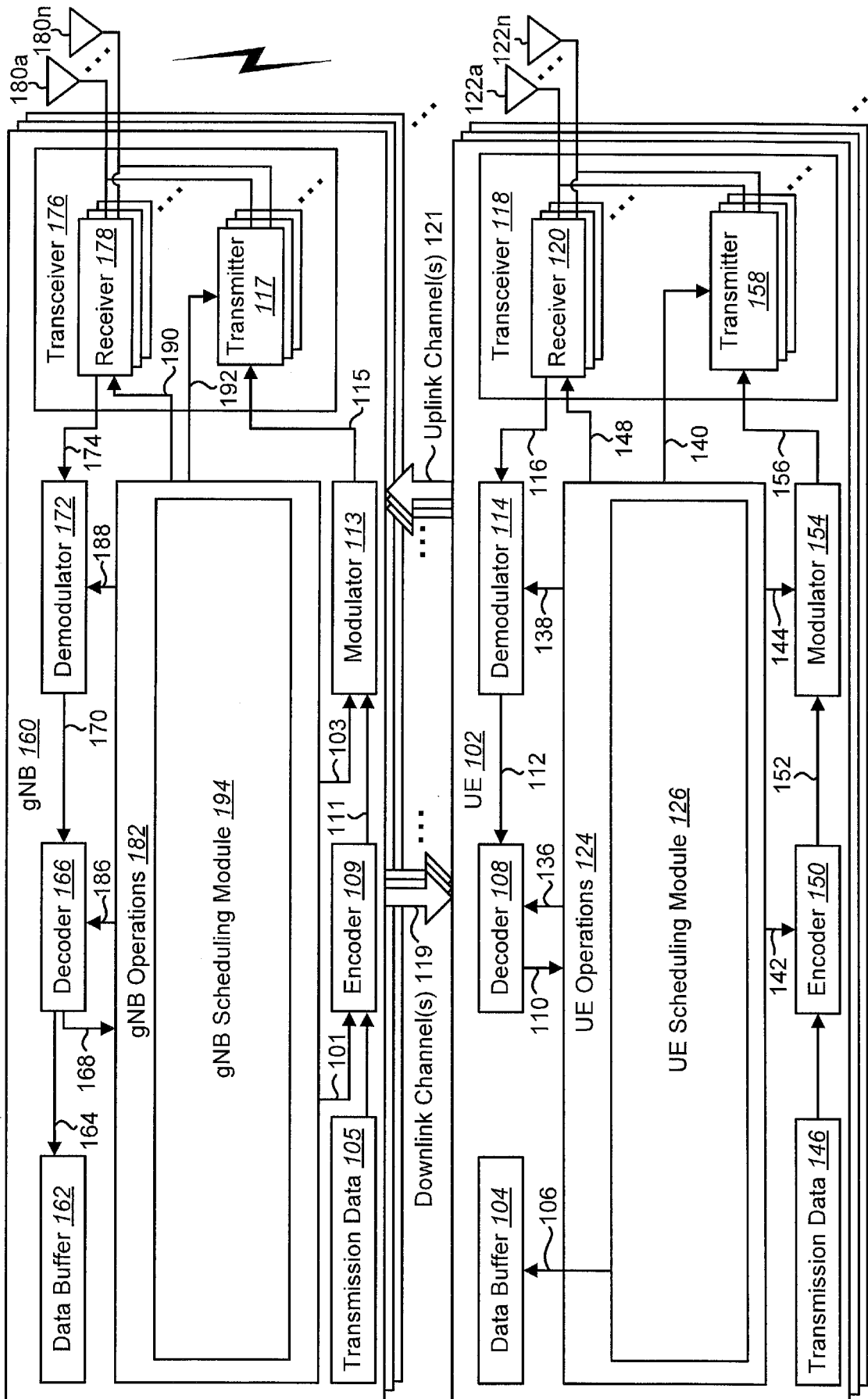


FIG. 1

[Fig. 2]

Supported Transmission Numerologies 201

μ	$\Delta f = 2^\mu \cdot 15[\text{kHz}]$	Cyclic prefix
0	15	Normal
1	30	Normal
2	60	Normal, Extended
3	120	Normal
4	240	Normal
5	480	Normal

Number of OFDM Symbols Per Slot 203

μ	Slot configuration					
	0			1		
	N_{slot}^{symbol}	$N_{slot}^{frame, \mu}$	$N_{slot}^{subframe, \mu}$	N_{slot}^{symbol}	$N_{slot}^{frame, \mu}$	$N_{slot}^{subframe, \mu}$
0	14	10	1	7	20	2
1	14	20	2	7	40	4
2	14	40	4	7	80	8
3	14	80	8	-	-	-
4	14	160	16	-	-	-
5	14	320	32	-	-	-

FIG. 2

[Fig. 3]

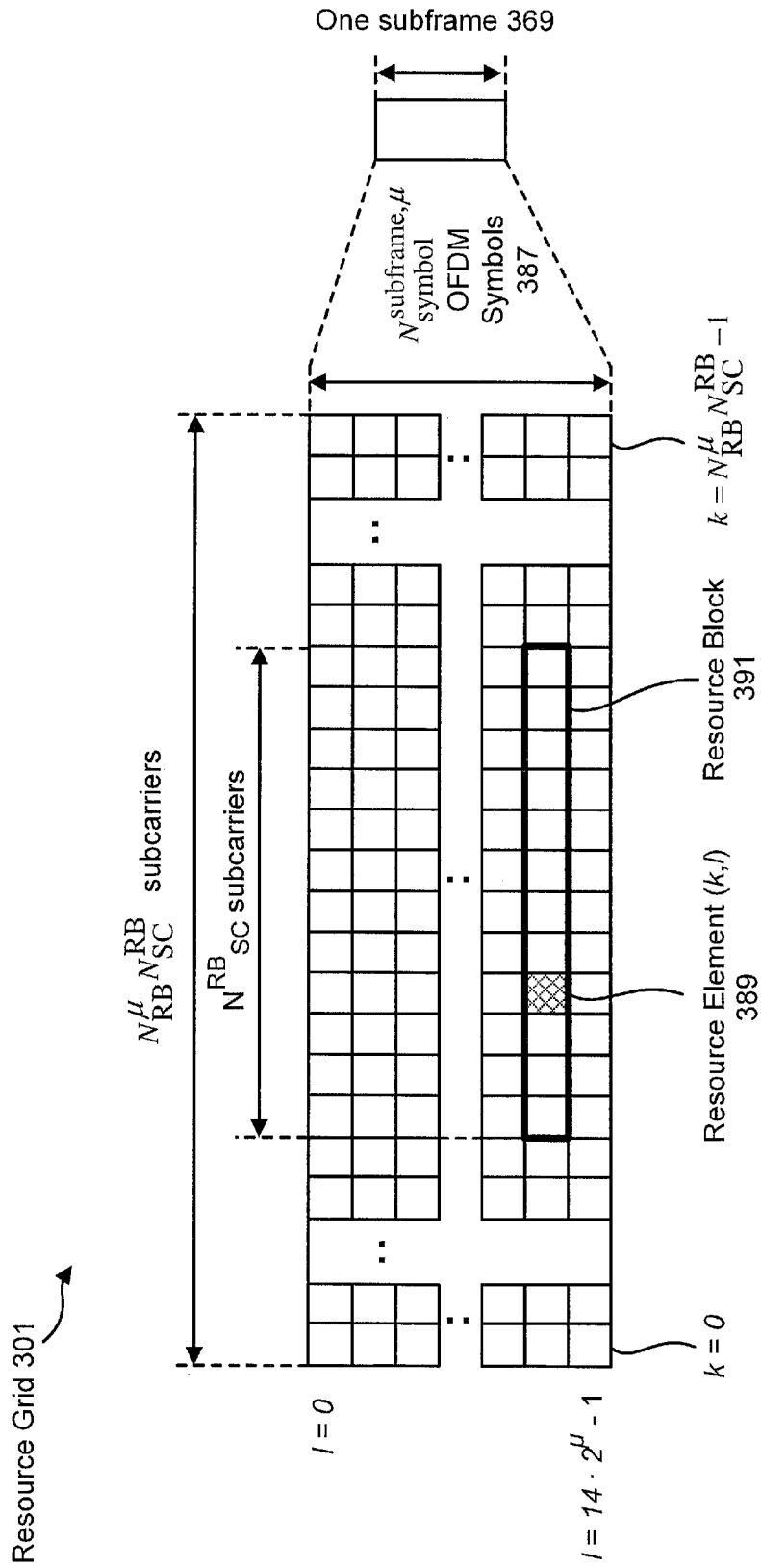


FIG. 3

[Fig. 4]

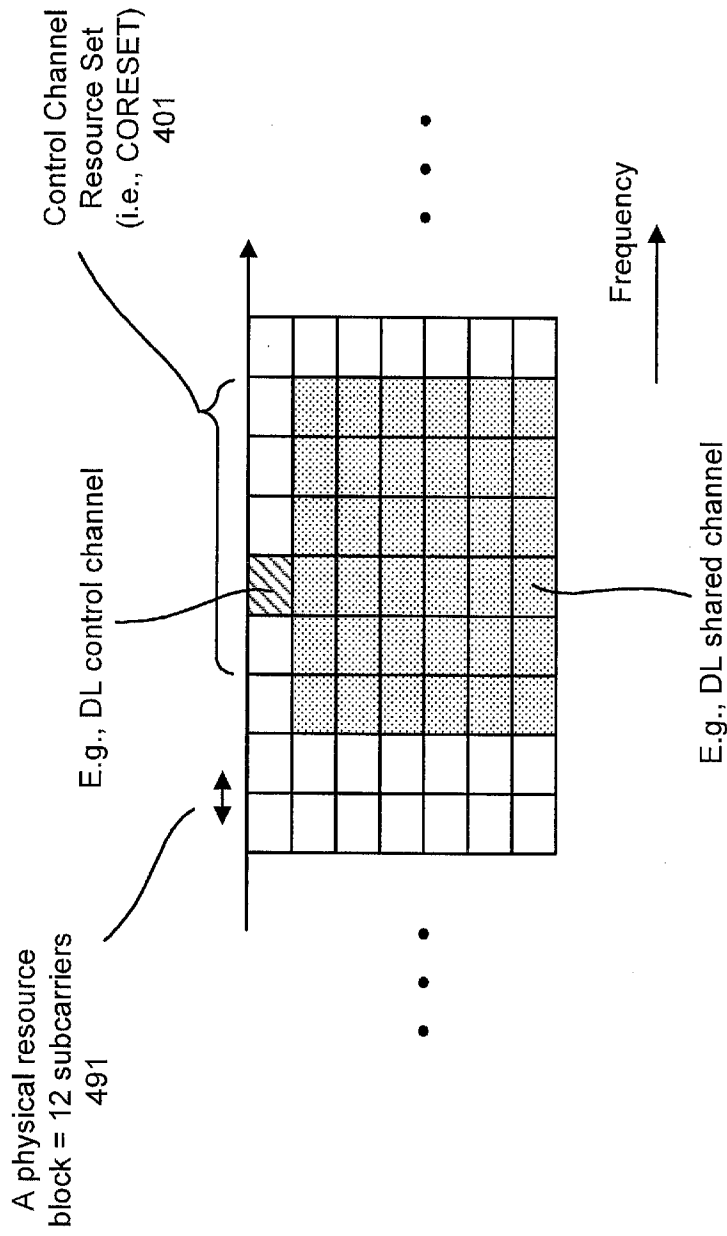


FIG. 4

[Fig. 5]

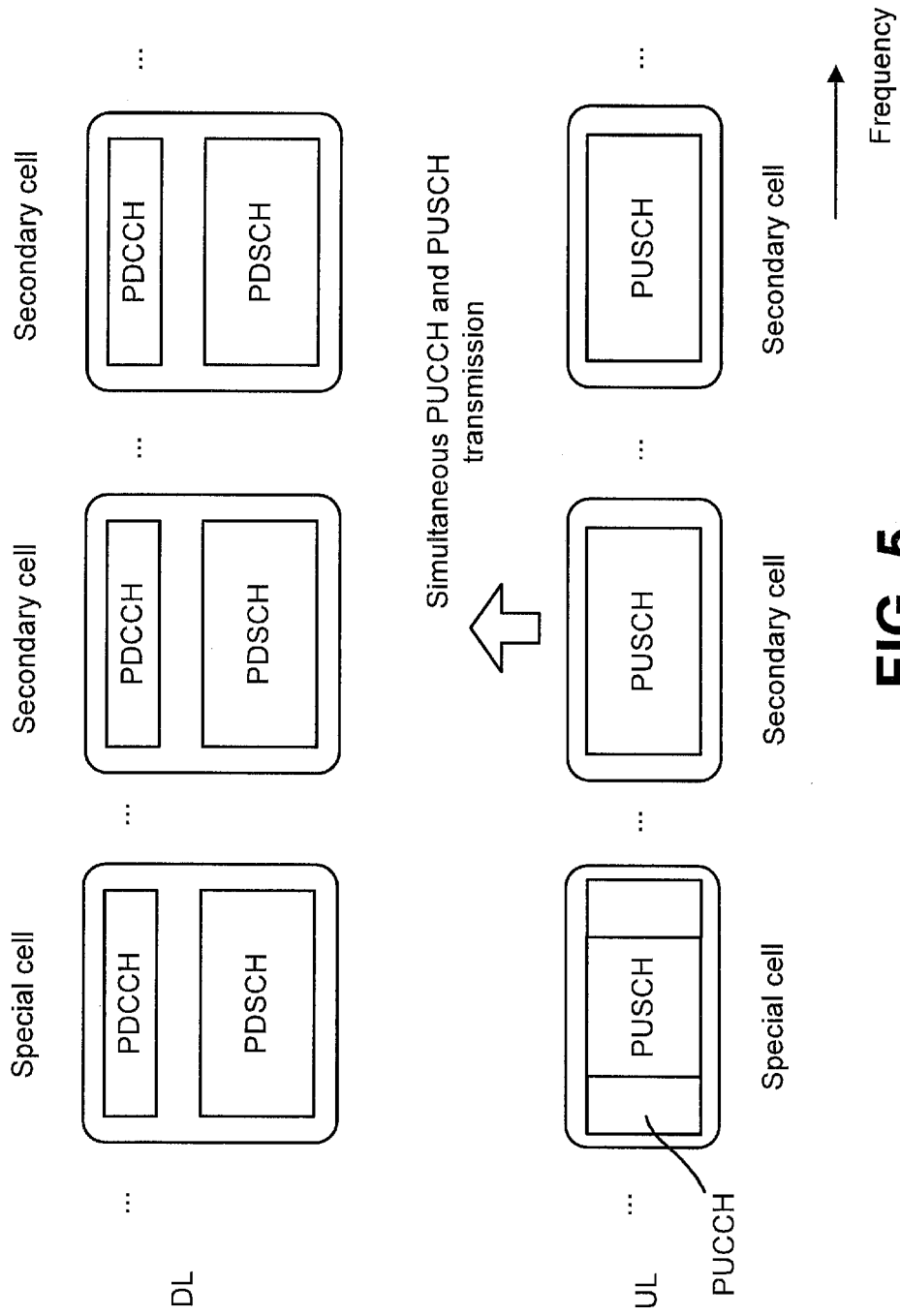


FIG. 5

[Fig. 6]

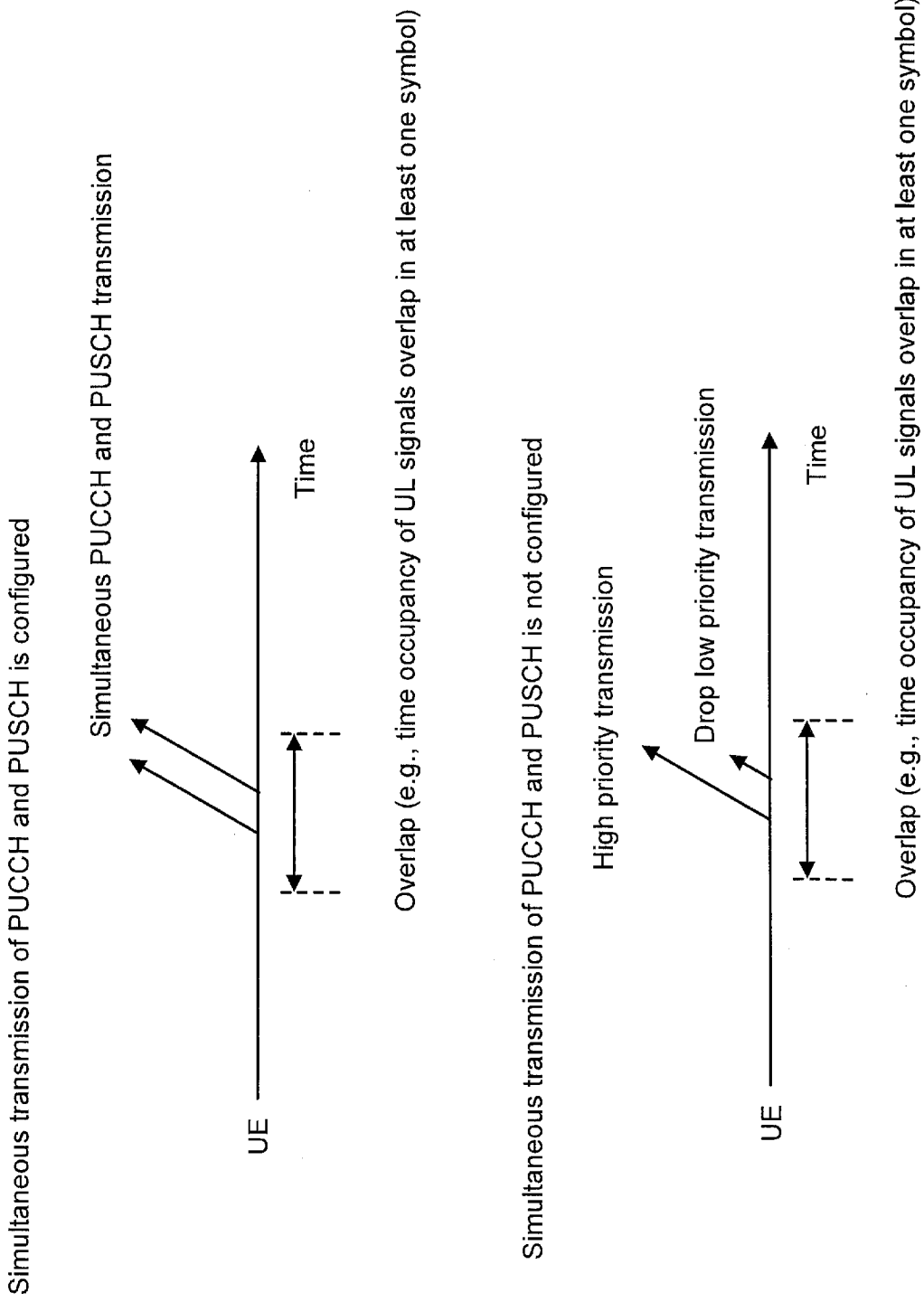
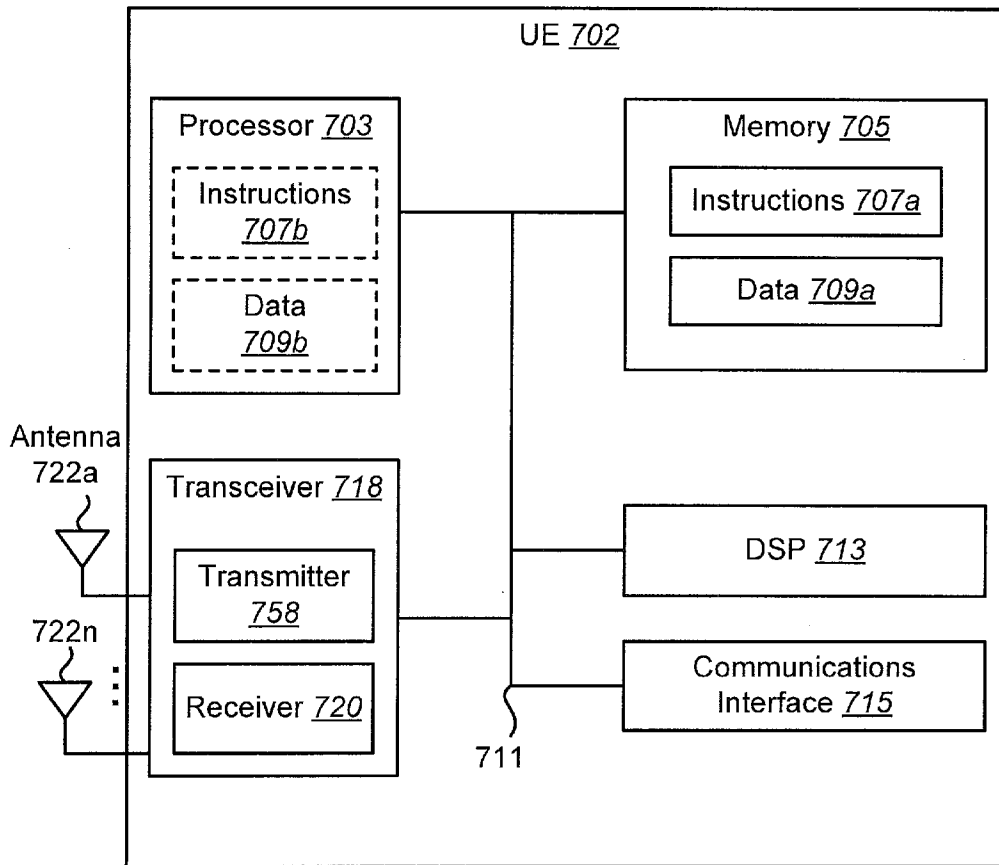


FIG. 6

[Fig. 7]

**FIG. 7**

[Fig. 8]

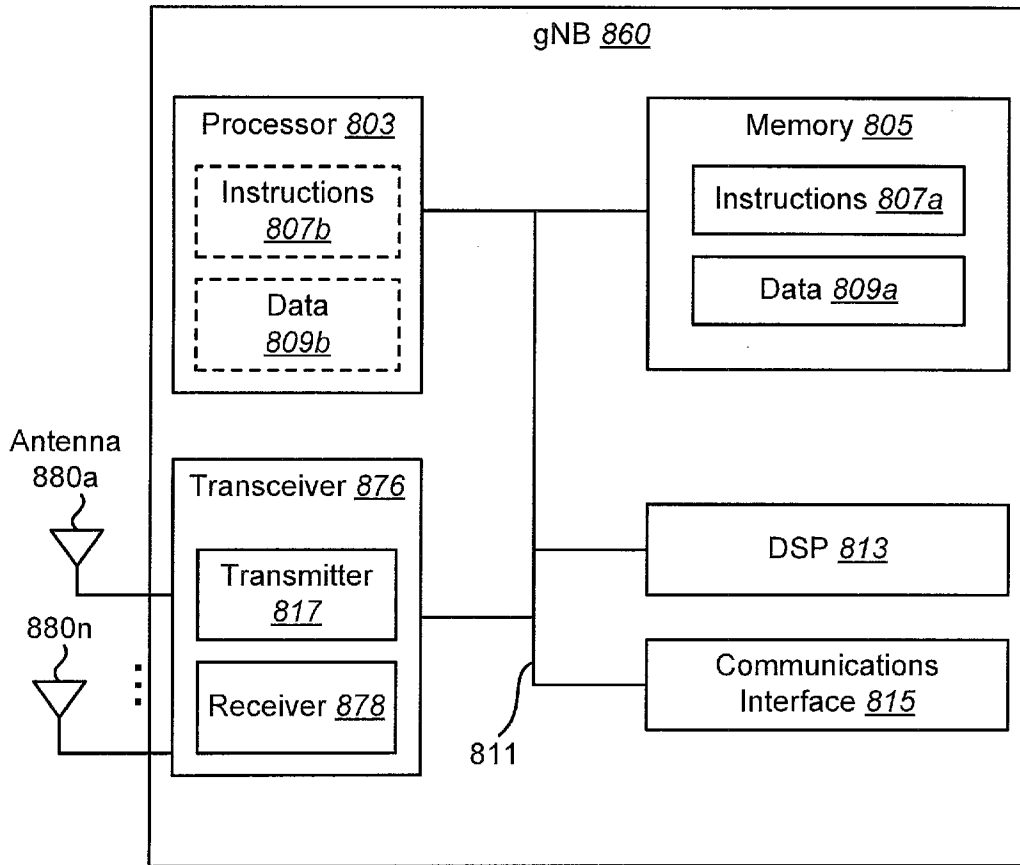


FIG. 8

[Fig. 9]

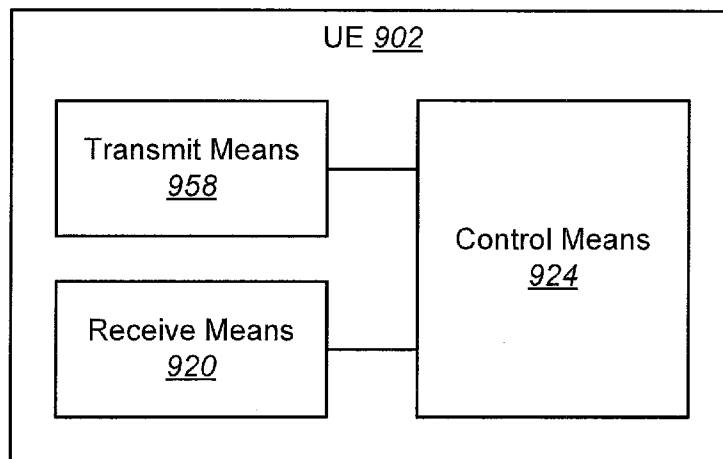
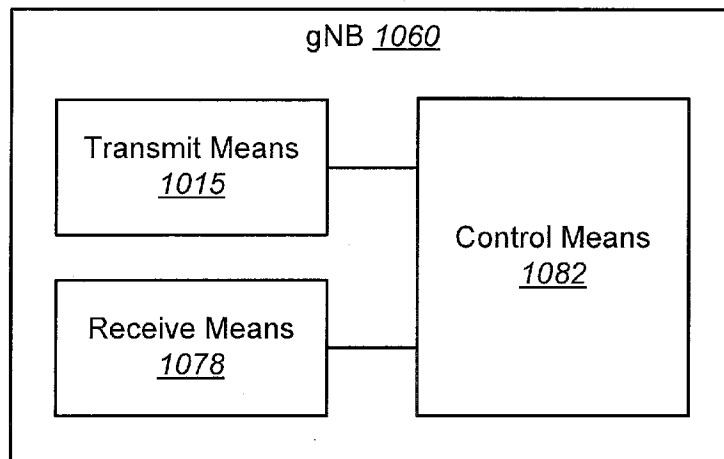


FIG. 9

[Fig. 10]

**FIG. 10**

[Fig. 11]

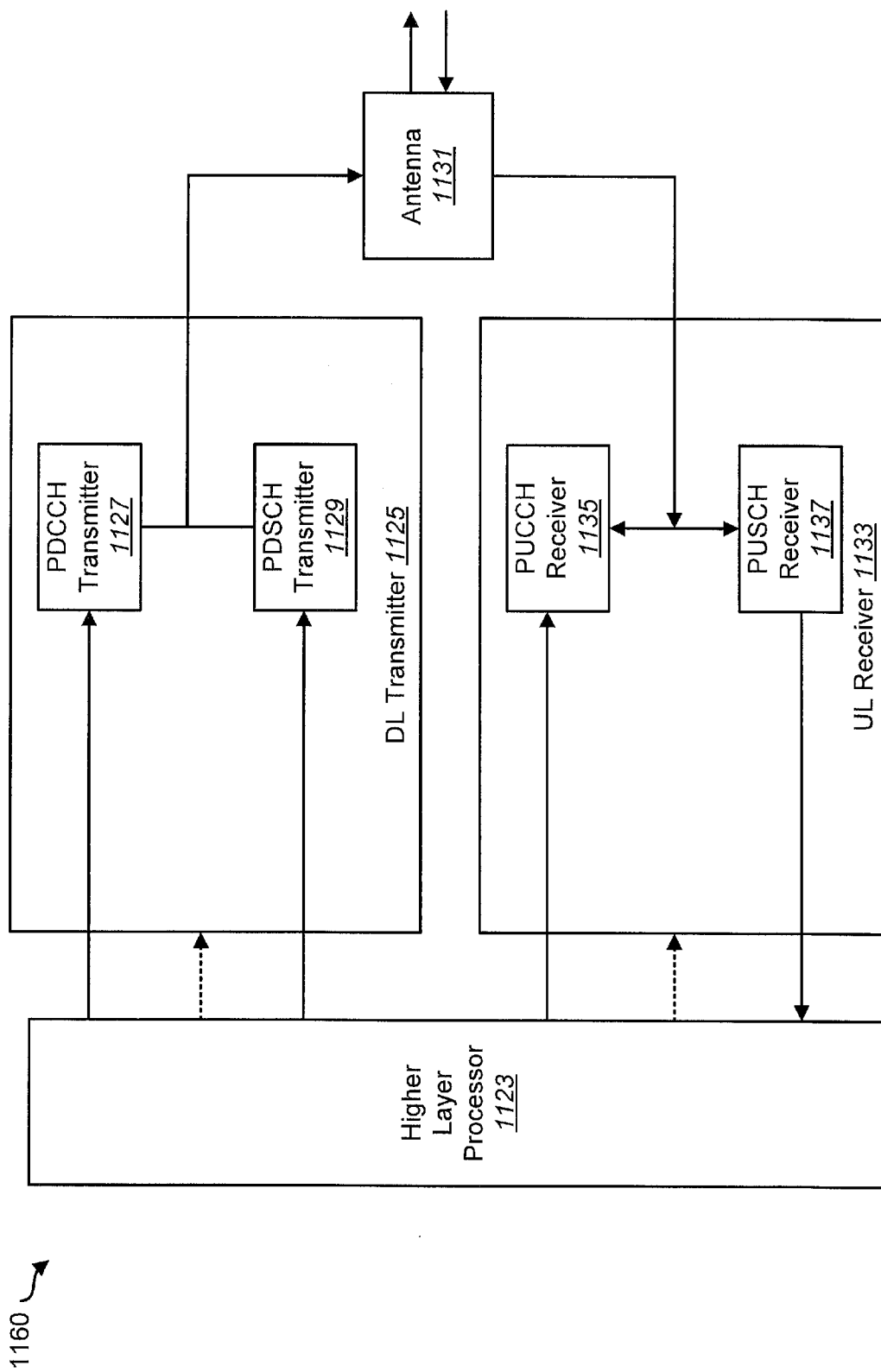


FIG. 11

[Fig. 12]

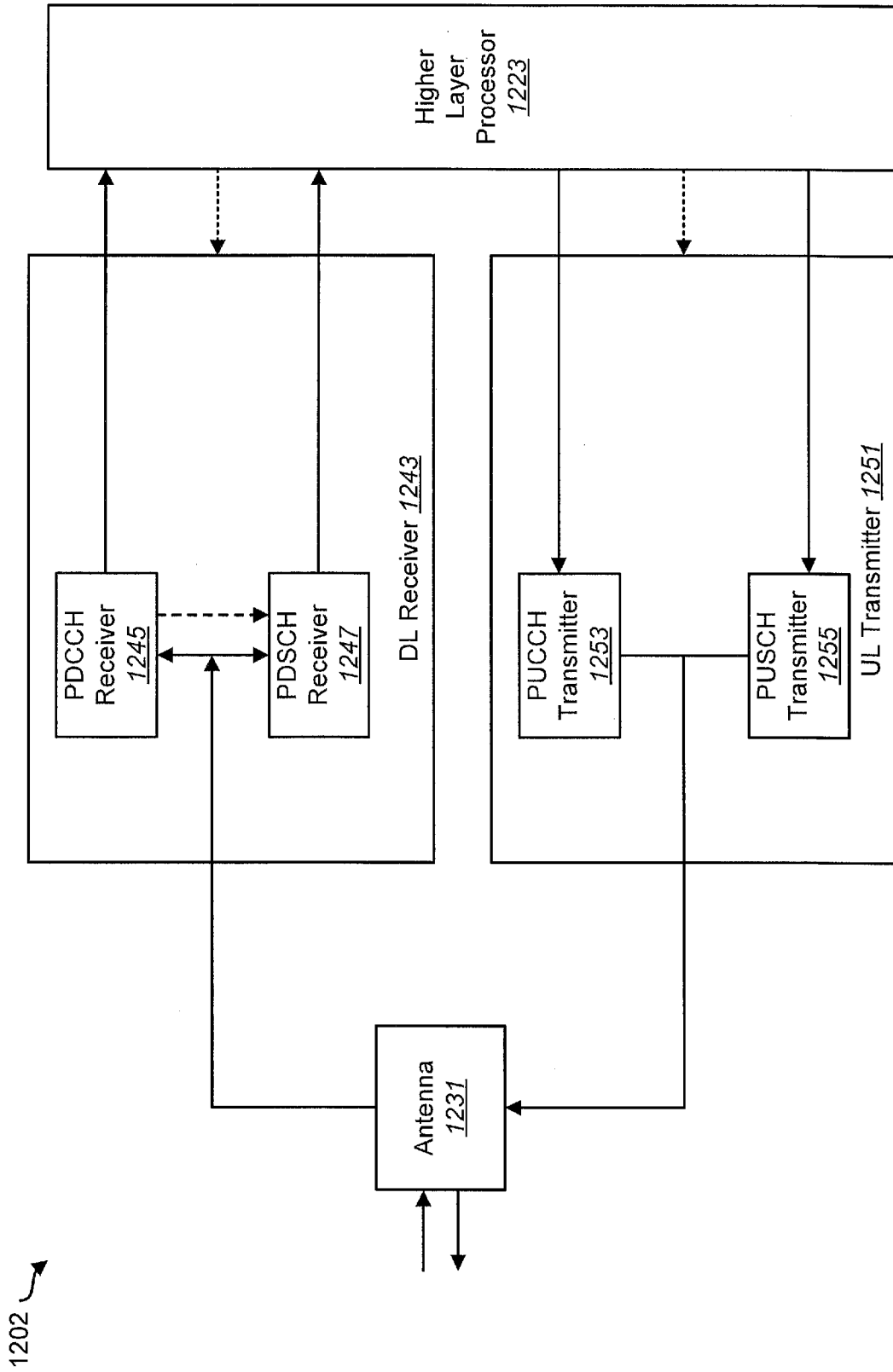


FIG. 12

INTERNATIONAL SEARCH REPORT

International application No.

PCT/JP2020/035666

A. CLASSIFICATION OF SUBJECT MATTER		
<i>H04W 72/04</i> (2009.01)i FI: H04W72/04 137; H04W72/04 136; H04W72/04 111		
According to International Patent Classification (IPC) or to both national classification and IPC		
B. FIELDS SEARCHED		
Minimum documentation searched (classification system followed by classification symbols) H04B7/24-7/26, H04W4/00-99/00		
Documentation searched other than minimum documentation to the extent that such documents are included in the fields searched Published examined utility model applications of Japan 1922-1996 Published unexamined utility model applications of Japan 1971-2020 Registered utility model specifications of Japan 1996-2020 Published registered utility model applications of Japan 1994-2020		
Electronic data base consulted during the international search (name of data base and, where practicable, search terms used)		
C. DOCUMENTS CONSIDERED TO BE RELEVANT		
Category*	Citation of document, with indication, where appropriate, of the relevant passages	Relevant to claim No.
A	Xiaomi, SUL impact on TA, 3GPP TSG RAN WG2 #100 R2-1712376, 2017.11.16 Section 2	1-8
A	US 2019/0141697 A1 (QUALCOMM INCORPORATED) 09 May 2019 (2019-05-09) Paragraphs [0069]-[0071]	1-8
<input type="checkbox"/> Further documents are listed in the continuation of Box C. <input checked="" type="checkbox"/> See patent family annex.		
* Special categories of cited documents: "A" document defining the general state of the art which is not considered to be of particular relevance "E" earlier application or patent but published on or after the international filing date "L" document which may throw doubts on priority claim(s) or which is cited to establish the publication date of another citation or other special reason (as specified) "O" document referring to an oral disclosure, use, exhibition or other means "P" document published prior to the international filing date but later than the priority date claimed "T" later document published after the international filing date or priority date and not in conflict with the application but cited to understand the principle or theory underlying the invention "X" document of particular relevance; the claimed invention cannot be considered novel or cannot be considered to involve an inventive step when the document is taken alone "Y" document of particular relevance; the claimed invention cannot be considered to involve an inventive step when the document is combined with one or more other such documents, such combination being obvious to a person skilled in the art "&" document member of the same patent family		
Date of the actual completion of the international search 17 November 2020		Date of mailing of the international search report 24 November 2020
Name and mailing address of the ISA/JP Japan Patent Office 3-4-3, Kasumigaseki, Chiyoda-ku, Tokyo 100-8915, Japan		Authorized officer Yoshihiro MATSUNO 5J 3571 Telephone No. +81-3-3581-1101 Ext. 3534

INTERNATIONAL SEARCH REPORT
Information on patent family members

International application No.

PCT/JP2020/035666

Patent document cited in search report	Publication date (day/month/year)	Patent family member(s)	Publication date (day/month/year)
US 2019/0141697 A1	09 May 2019	WO 2019/089964 A1	
..... Paragraphs [0069]-[0071]			