



US00D673520S

(12) **United States Design Patent**
Tan

(10) **Patent No.:** **US D673,520 S**

(45) **Date of Patent:** **** Jan. 1, 2013**

(54) **HEADPHONE**

(75) Inventor: **Chao Tan**, Shenzhen (CN)

(73) Assignee: **Shenzhen Kal Ju Yuan Technology Co. Ltd.**, ShenZhen, GuangDong (CN)

(**) Term: **14 Years**

(21) Appl. No.: **29/401,324**

(22) Filed: **Sep. 9, 2011**

(51) **LOC (9) Cl.** **14-01**

(52) **U.S. Cl.** **D14/205**

(58) **Field of Classification Search** D14/205,
D14/206, 223; 181/129, 130, 135; 379/430,
379/433; 381/380, 381, 374; D29/112; 2/209;
455/90.3, 575.1

See application file for complete search history.

(56) **References Cited**

U.S. PATENT DOCUMENTS

4,173,715 A *	11/1979	Gosman	381/382
4,821,318 A *	4/1989	Wu	379/430
D338,010 S *	8/1993	Yamatogi	D14/205
D386,181 S *	11/1997	Fisher	D14/205
D394,062 S *	5/1998	Chun	D14/192
D430,140 S *	8/2000	Roman	D14/205
D439,574 S *	3/2001	Katayama	D14/203.5
6,263,085 B1 *	7/2001	Weffer	381/371
D484,485 S *	12/2003	Matsuoka	D14/205
D538,261 S *	3/2007	Taylor et al.	D14/205
D540,301 S *	4/2007	Obata	D14/205
D552,077 S	10/2007	Brunner et al.	

D563,382 S *	3/2008	Wikel	D14/205
D573,581 S *	7/2008	Gondo et al.	D14/205
D588,100 S *	3/2009	Densho et al.	D14/205
D591,263 S *	4/2009	Shimizu	D14/205
D593,995 S *	6/2009	Shimizu	D14/205
D603,371 S *	11/2009	Boateng et al.	D14/205
D617,769 S *	6/2010	Birger	D14/205
D625,705 S *	10/2010	Ohori et al.	D14/205
D632,668 S	2/2011	Brunner et al.	
D634,732 S *	3/2011	Kondo et al.	D14/205
D637,176 S	5/2011	Brunner et al.	
D652,406 S *	1/2012	Lee et al.	D14/205

* cited by examiner

Primary Examiner — Paula Greene

(74) *Attorney, Agent, or Firm* — Tim Tingkang Xia

(57) **CLAIM**

The ornamental design of a headphone, as shown and described.

DESCRIPTION

FIG. 1 is a front, top and left side perspective view of a headphone showing our new design, the opposite perspective view is a mirror image;

FIG. 2 is a front elevational view thereof;

FIG. 3 is a rear elevational view thereof;

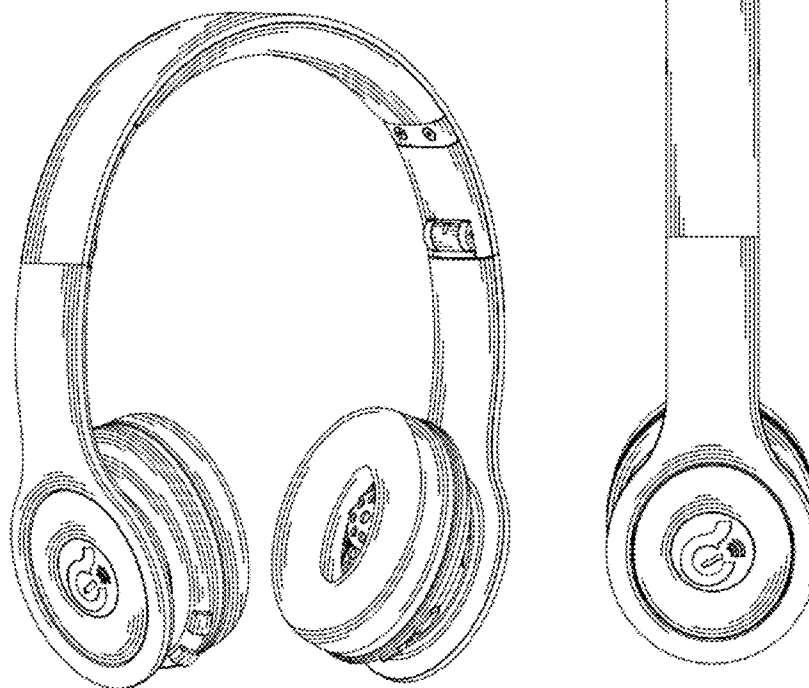
FIG. 4 is a left side elevational view thereof;

FIG. 5 is a right side elevational view thereof;

FIG. 6 is a top plan view thereof; and,

FIG. 7 is a bottom plan view thereof.

1 Claim, 5 Drawing Sheets



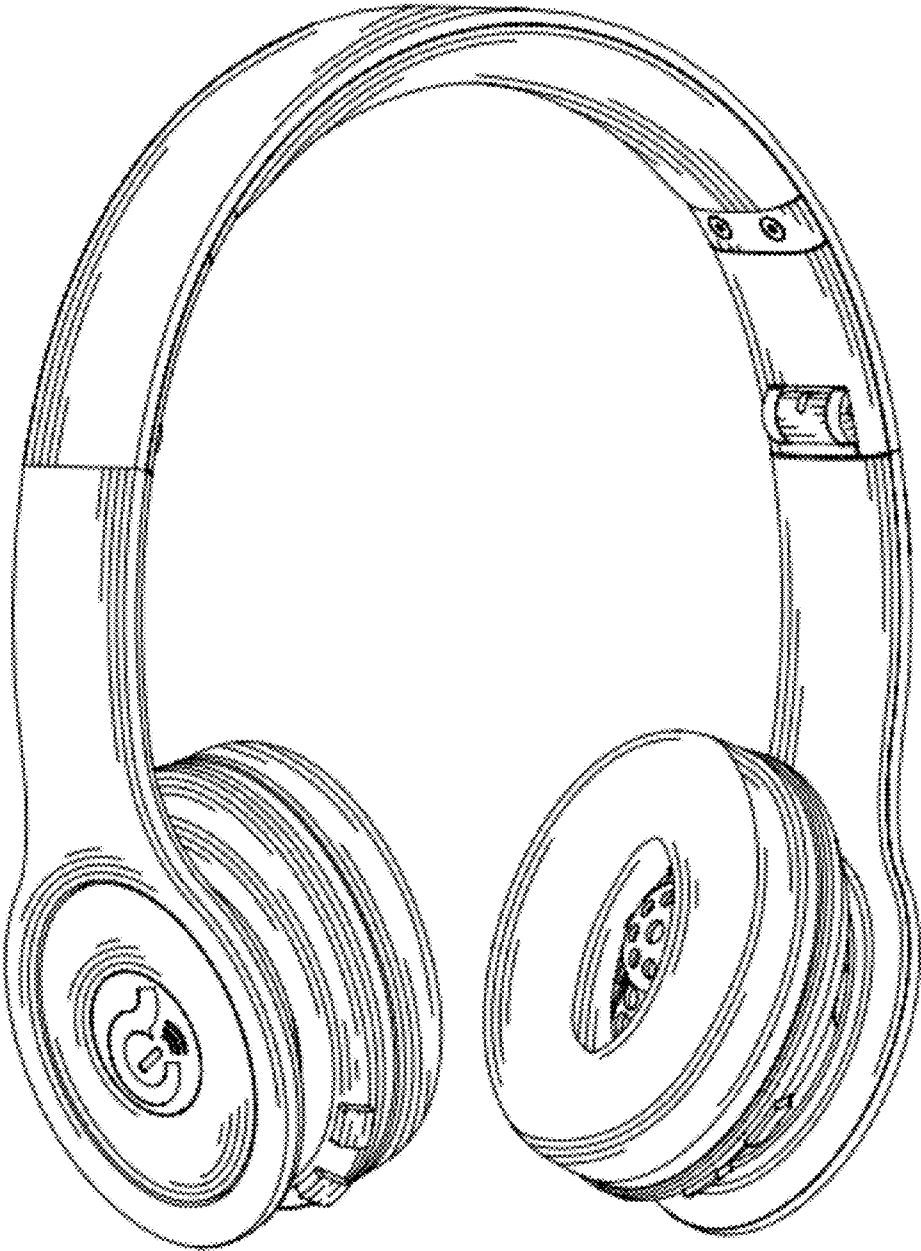


FIG. 1



FIG. 2



FIG. 3

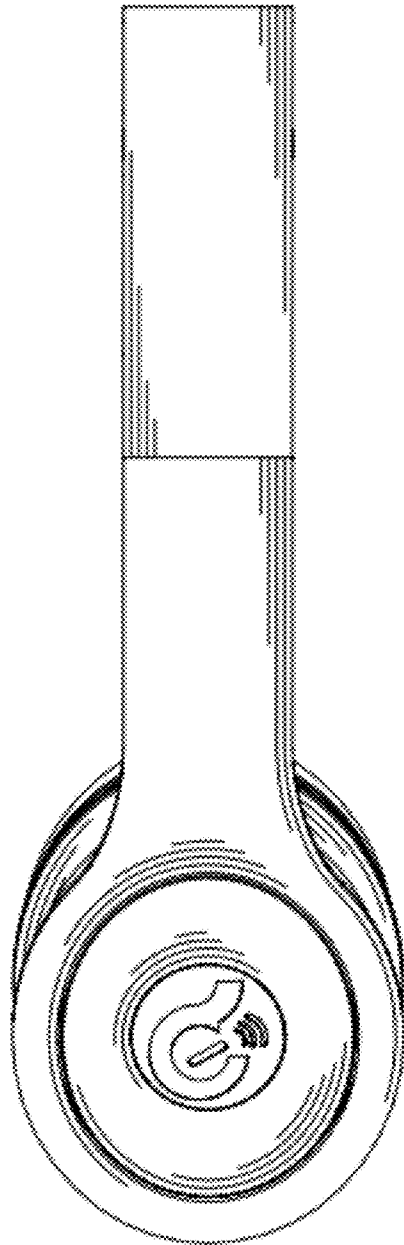


FIG. 4

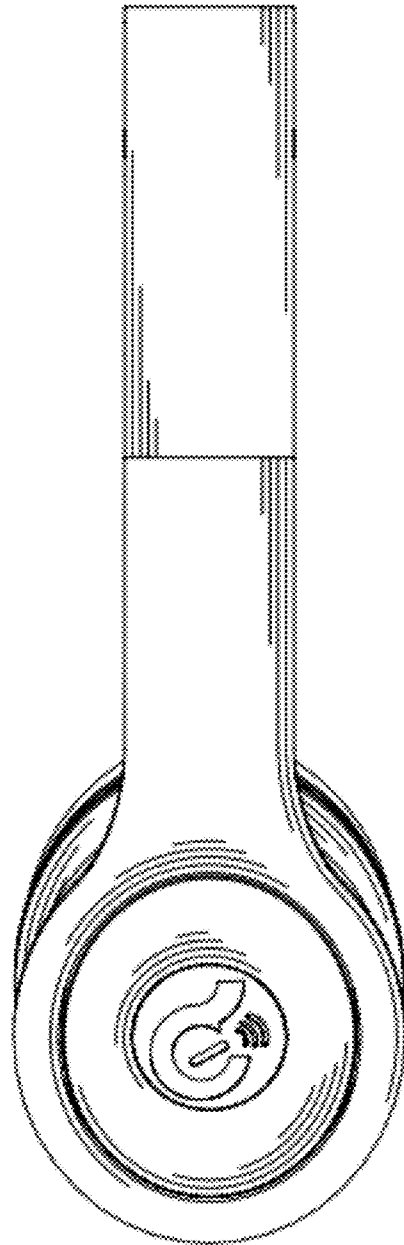


FIG. 5

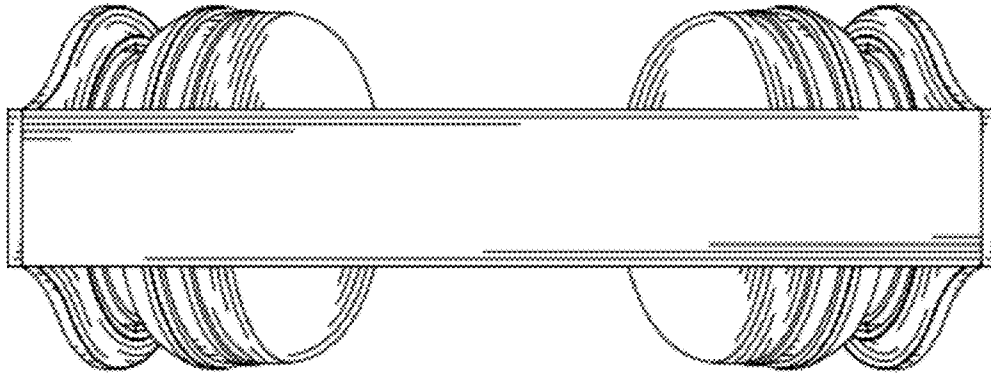


FIG. 6

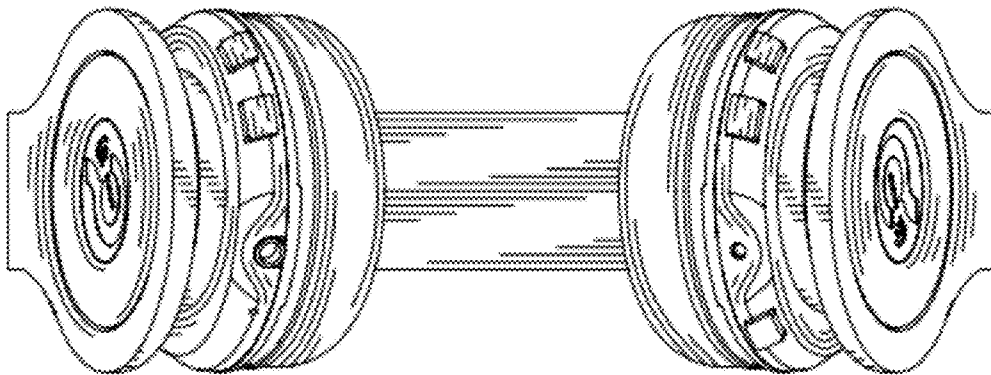


FIG. 7