



US00D351992S

# United States Patent [19]

[11] **Patent Number: Des. 351,992**

**Jacques**

[45] **Date of Patent: \*\* Nov. 1, 1994**

[54] **DISPOSABLE DISPENSING POUCH**

3,913,789	10/1975	Miller	.....	222/107
4,394,936	7/1983	Shavit	.....	222/107
4,759,472	8/1988	Strenger	.....	D9/302 X
4,797,309	1/1989	Kammerer et al.	.....	206/484 X
5,111,932	5/1992	Campbell	.....	206/216

[76] **Inventor: William Jacques, 9180 Joy La., Granite Bay, Calif. 95746**

[\*\*] **Term: 14 Years**

*Primary Examiner*—Bernard Ansher  
*Assistant Examiner*—M. Siegel

[21] **Appl. No.: 2,686**

[57] **CLAIM**

[22] **Filed: Dec. 16, 1992**

The ornamental design for a disposable dispensing pouch, as shown and described.

[52] **U.S. Cl. .... D9/306; D9/302**

[58] **Field of Search .... D9/302, 305, 306; 206/206, 209, 158, 326, 469, 484, 565; 222/107, 215, 474, 475, 527, 541; D24/115-117, 119, 224**

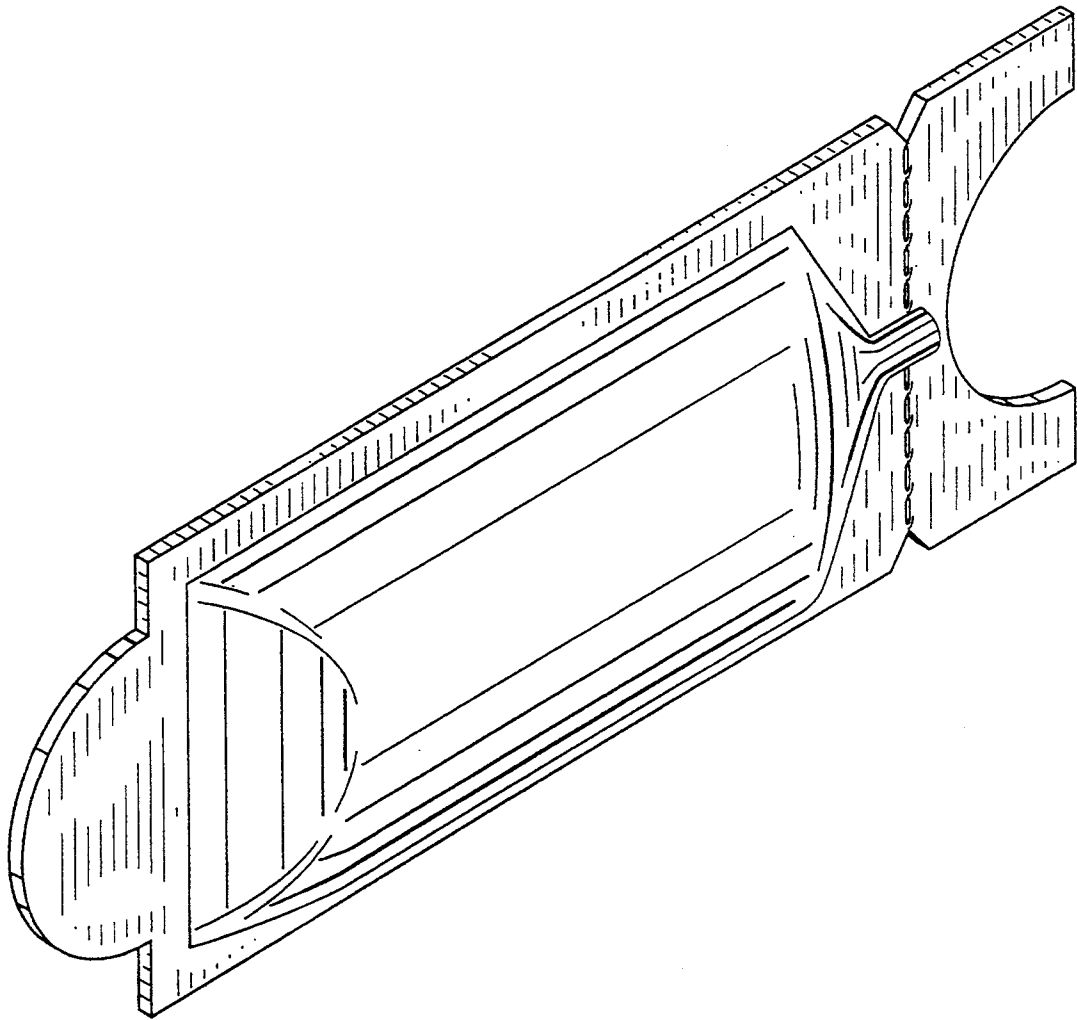
**DESCRIPTION**

[56] **References Cited**

**U.S. PATENT DOCUMENTS**

D. 223,897	6/1972	Crew	.....	D9/305
2,696,342	12/1954	Toborg	.....	222/527
2,751,072	6/1956	Ditmar	.....	D9/302 X

FIG. 1 is a top plan view of a disposable dispensing pouch showing my new design;  
FIG. 2 is a side elevational view thereof, the undisclosed opposite side being identical;  
FIG. 3 is a left end view thereof;  
FIG. 4 is a right end view thereof; and,  
FIG. 5 is a perspective view thereof.



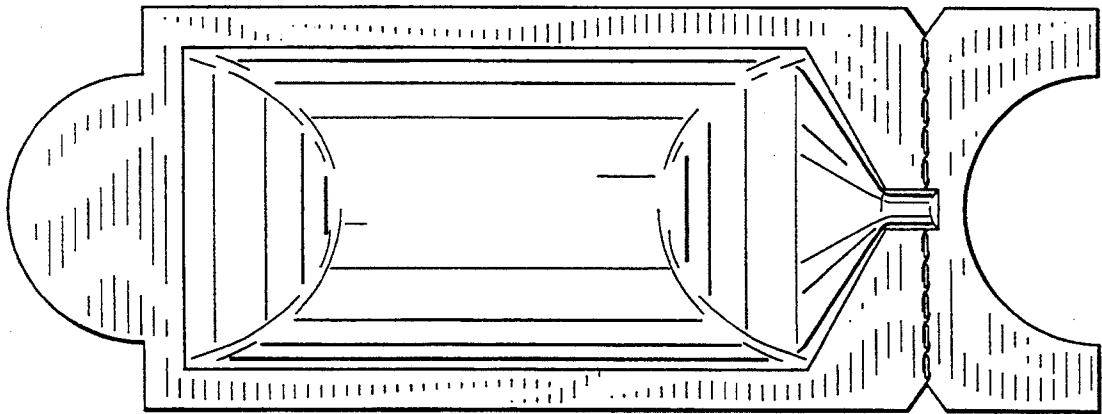


FIG. - 1

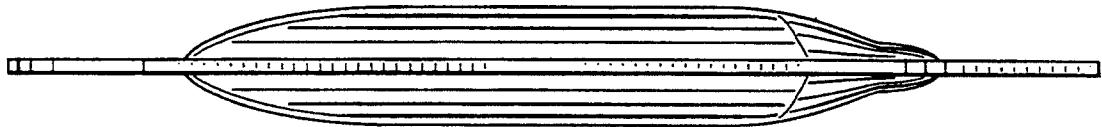


FIG. - 2

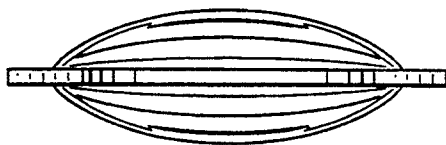


FIG. - 3

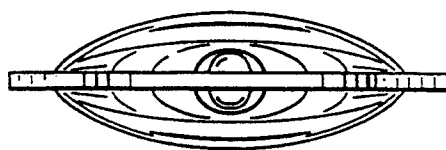


FIG. - 4

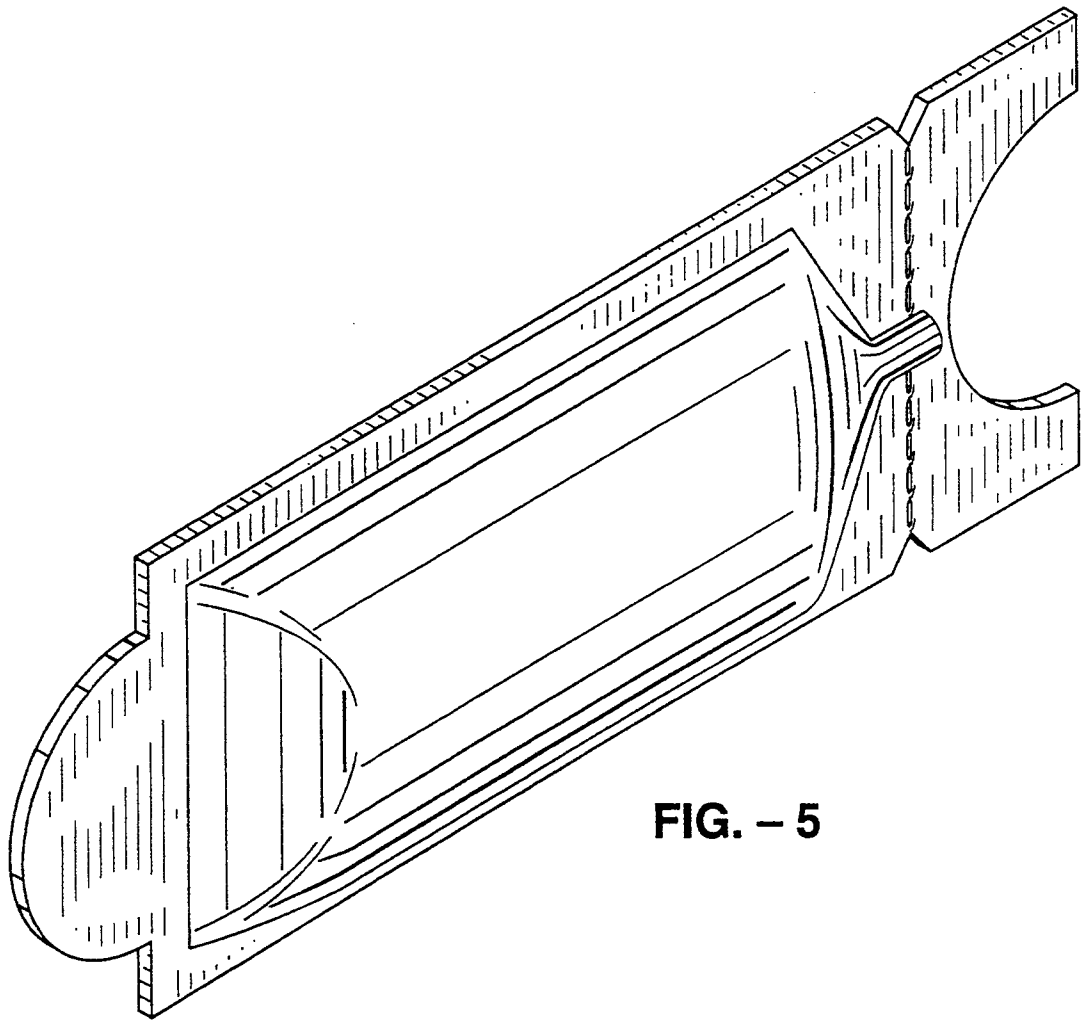


FIG. - 5