



US00D735600S

(12) **United States Design Patent**
Turner

(10) **Patent No.:** **US D735,600 S**

(45) **Date of Patent:** **** Aug. 4, 2015**

(54) **TREE STAND COVER**

(71) Applicant: **P.K. Douglass Inc.**, Mississauga (CA)

(72) Inventor: **Peter Turner**, Mississauga (CA)

(**) Term: **14 Years**

(21) Appl. No.: **29/483,283**

(22) Filed: **Feb. 27, 2014**

(30) **Foreign Application Priority Data**

Aug. 28, 2013 (CA) 152675

(51) **LOC (10) Cl.** **11-05**

(52) **U.S. Cl.**
USPC **D11/130**

(58) **Field of Classification Search**

USPC D11/117, 118, 130, 130.1, 131, 142,
D11/143, 155, 164; D5/7, 10; D9/414,
D9/430-433, 734, 759; 206/45.21, 45.29,
206/525.1; 428/12, 19, 542.2, 542.6;
229/100, 103.2, 103.3, 117.01, 120,
229/211, 126

CPC A47G 33/08; A47G 33/330881; A47G
33/12; A47G 2033/1233; A47G 2033/1226

See application file for complete search history.

(56) **References Cited**

U.S. PATENT DOCUMENTS

1,600,687 A * 9/1926 Mantz 229/120.23
D115,902 S * 8/1939 Barton et al. D11/130.1
2,679,371 A * 5/1954 Meldrum 47/40.5
D234,530 S * 3/1975 Waitzman D11/155
D269,571 S * 7/1983 Geshwind D11/130.1
4,581,277 A * 4/1986 Neale 428/181
D340,206 S * 10/1993 Bonney D11/130.1

(Continued)

OTHER PUBLICATIONS

20"x20"x12" Foldable Christmas Tree Stand Cover, Tree Stands,
Christmas, Seasonal, Indoor Living, homewardware.ca, Searched

Mar. 12, 2015, http://www.homehardware.ca/en/rec/index.htm/Indoor-Living/Seasonal/Christmas/Tree-Stands/Tree-Stands/20-x-20-x-12-Foldable-Christmas-Tree-Stand-Cover/_/N-ntkyv/R-15655462.*

Primary Examiner — John Windmuller

Assistant Examiner — Steven Czyz

(74) *Attorney, Agent, or Firm* — Paparella & Associates, PC;
Joseph A. Paparella

(57) **CLAIM**

The ornamental design for a tree stand cover, as shown.

DESCRIPTION

FIG. 1 is a top perspective view of the tree stand cover in an assembled configuration;

FIG. 2 is a bottom perspective view of the tree stand cover in the assembled configuration;

FIG. 3 is a top view of the tree stand cover in the assembled configuration;

FIG. 4 is a bottom view of the tree stand cover in the assembled configuration;

FIG. 5 is a left side view of the tree stand cover in the assembled configuration, the left view being identical thereto;

FIG. 6 is a front view of the tree stand cover in the assembled configuration, the rear view being identical thereto;

FIG. 7 is an environmental view of the tree stand cover in the assembled configuration;

FIG. 8 is an inside perspective view of the tree stand cover in an open position;

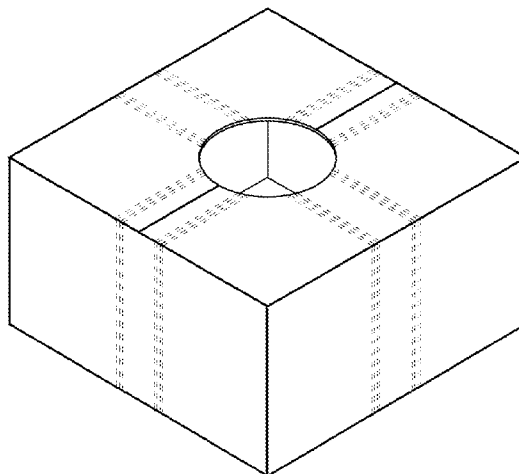
FIG. 9 is an outside perspective view of the tree stand cover in the open position;

FIG. 10 is an inside elevation view of the tree stand cover in the open position; and,

FIG. 11 is an outside elevation view of the tree stand cover in the open position.

The broken line showing the tree structure is for the purpose of illustrating portions of the environmental structure and forms no part of the claimed design.

1 Claim, 6 Drawing Sheets



(56)

References Cited

U.S. PATENT DOCUMENTS

D371,755	S	*	7/1996	Ditullo	D11/130
5,891,535	A	*	4/1999	Bucuk, Jr.	428/12
5,904,289	A	*	5/1999	Hagan	229/87.19
5,979,744	A	*	11/1999	Brigleb	229/87.01
D418,082	S	*	12/1999	Baumann et al.	D11/130.1
6,023,882	A	*	2/2000	Heinrich	47/40.5
D450,621	S	*	11/2001	Boucher	D11/130.1
D491,097	S	*	6/2004	Johnson	D11/121
D497,831	S	*	11/2004	Anderson et al.	D11/130
D610,904	S	*	3/2010	Russell et al.	D9/432
D651,121	S	*	12/2011	Grimme	D11/155
D670,597	S	*	11/2012	Krizan	D11/130
D689,793	S	*	9/2013	Yung	D11/146
D699,150	S	*	2/2014	Amidon	D11/184
D723,417	S	*	3/2015	Walter et al.	D11/130

* cited by examiner

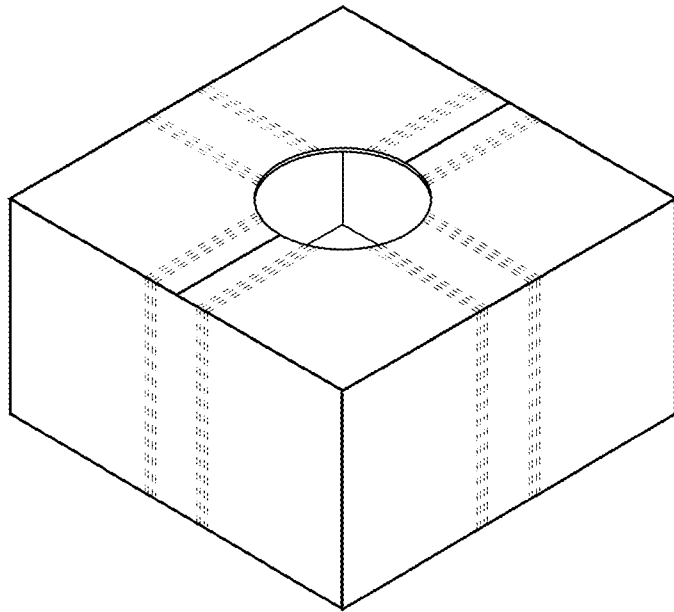


FIG. 1

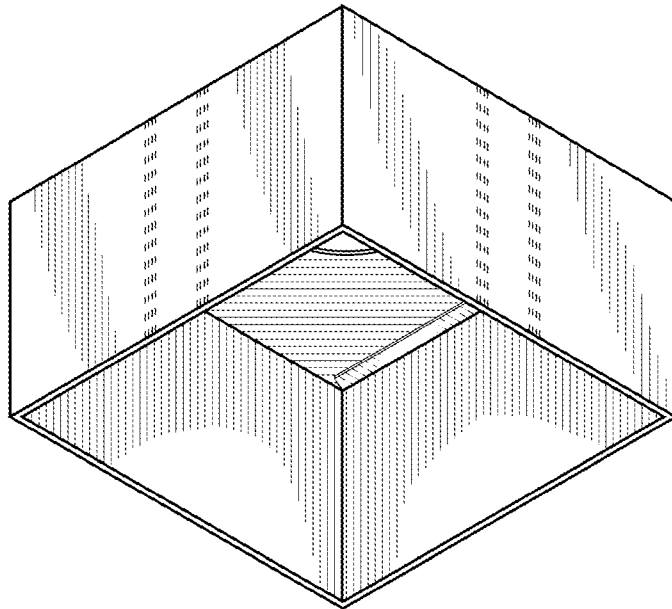


FIG. 2

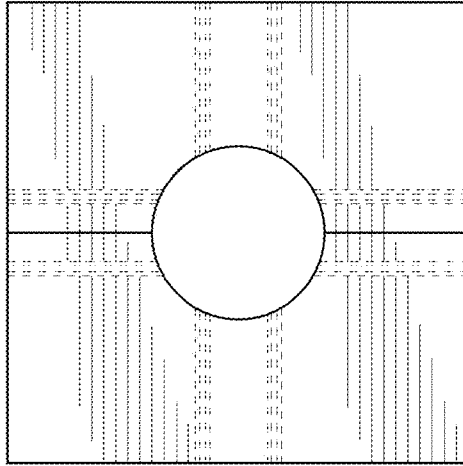


FIG.3

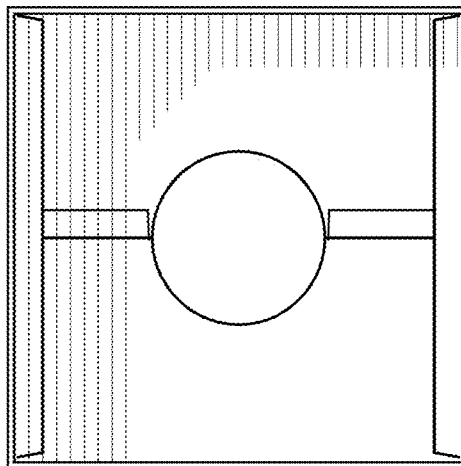


FIG.4

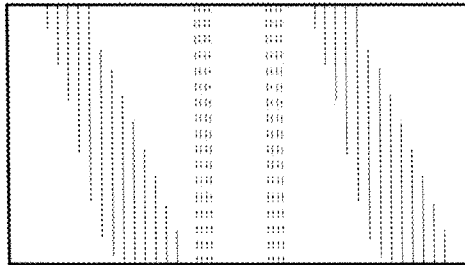


FIG. 5

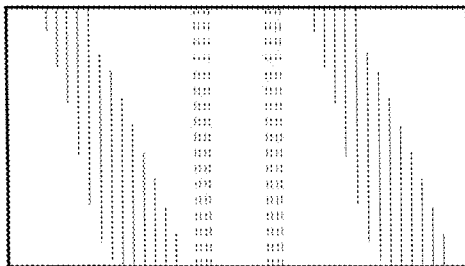


FIG. 6

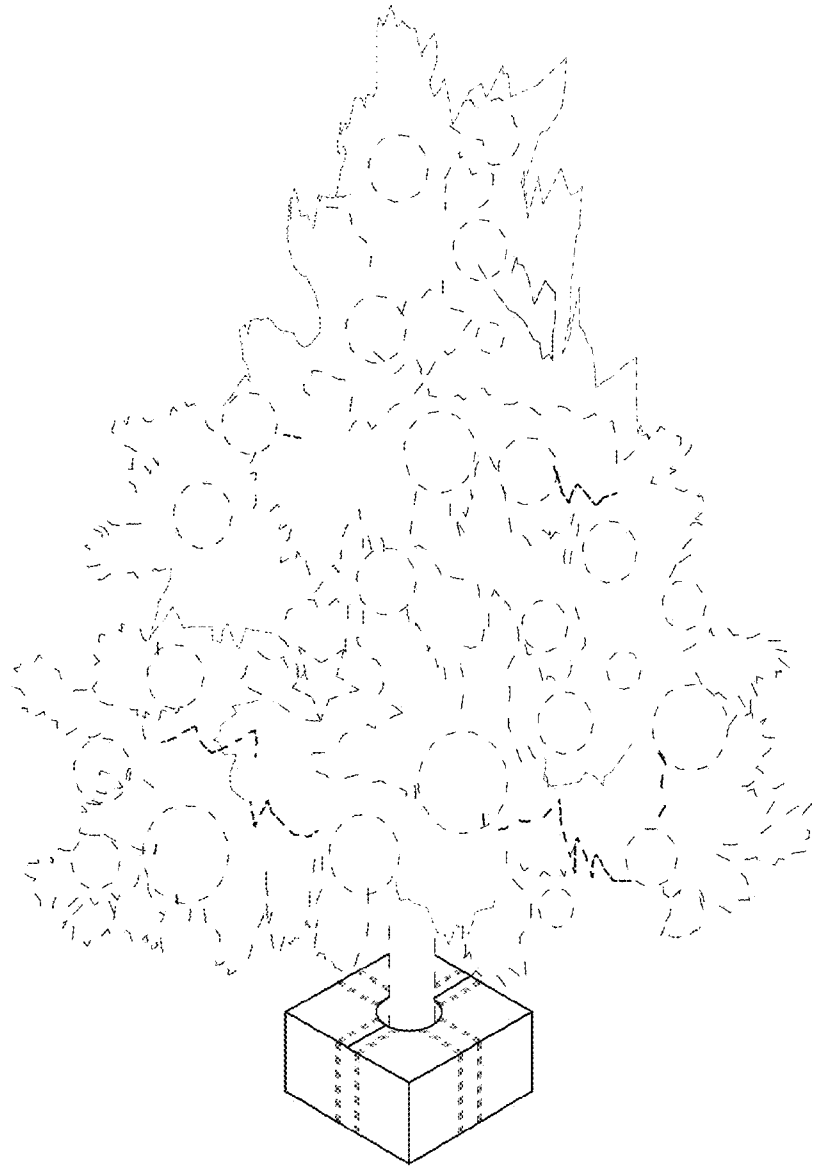


FIG.7

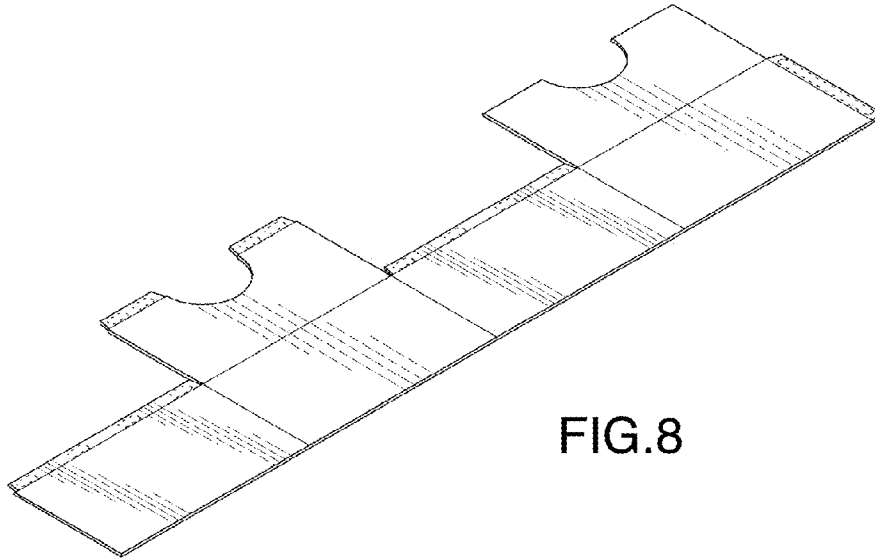


FIG. 8

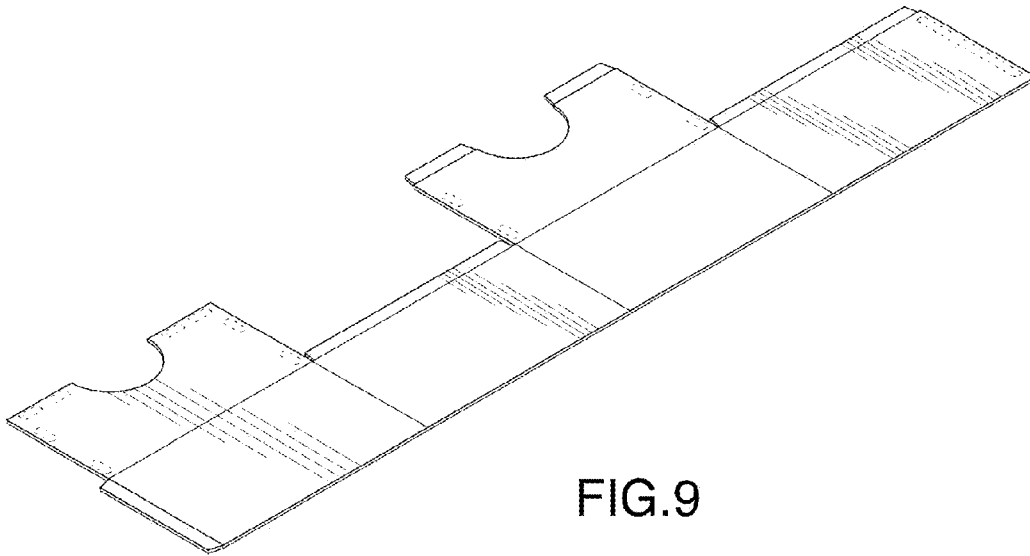


FIG. 9

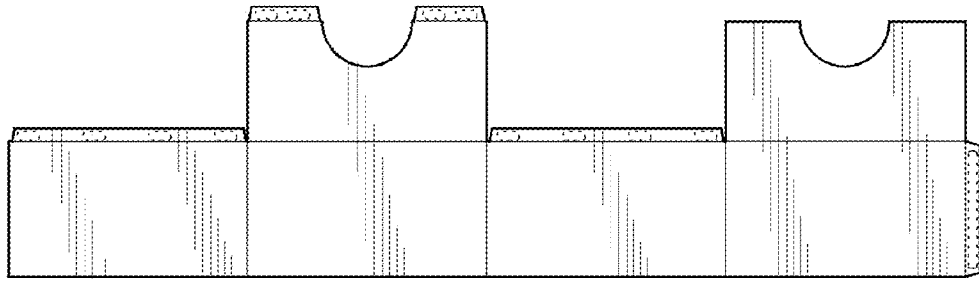


FIG. 10

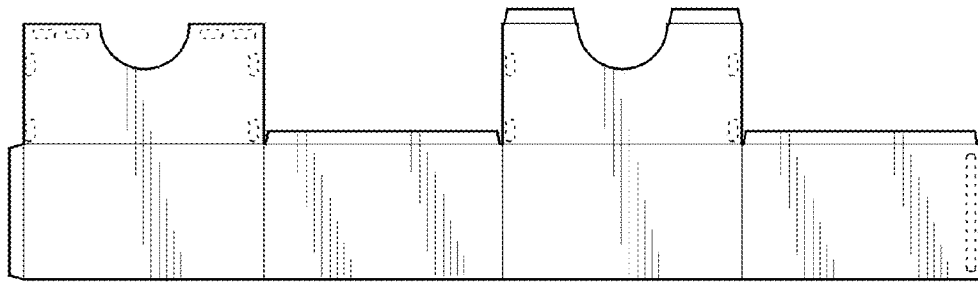


FIG. 11