

(19) World Intellectual Property Organization
International Bureau



(43) International Publication Date
12 July 2007 (12.07.2007)

PCT

(10) International Publication Number
WO 2007/079407 A3

(51) International Patent Classification:
A61F 2/01 (2006.01)

(21) International Application Number:

PCT/US2006/062719

(22) International Filing Date:

29 December 2006 (29.12.2006)

(25) Filing Language:

English

(26) Publication Language:

English

(30) Priority Data:

60/754,633 30 December 2005 (30.12.2005) US

(71) Applicant (for all designated States except US): **C.R. BARD INC.** [US/US]; 730 Central Avenue, Murray Hills, NJ 07974 (US).

(72) Inventors; and

(75) Inventors/Applicants (for US only): **KASHKAROV, Alexander, Germanovich** [RU/RU]; 33/5, Apt. 43, St. Petersburg, 190000 (RU). **CHANDUSZKO, Andrzej, J.** [US/US]; 311 North Carriage Lane, Chandler, AZ 85224 (US).

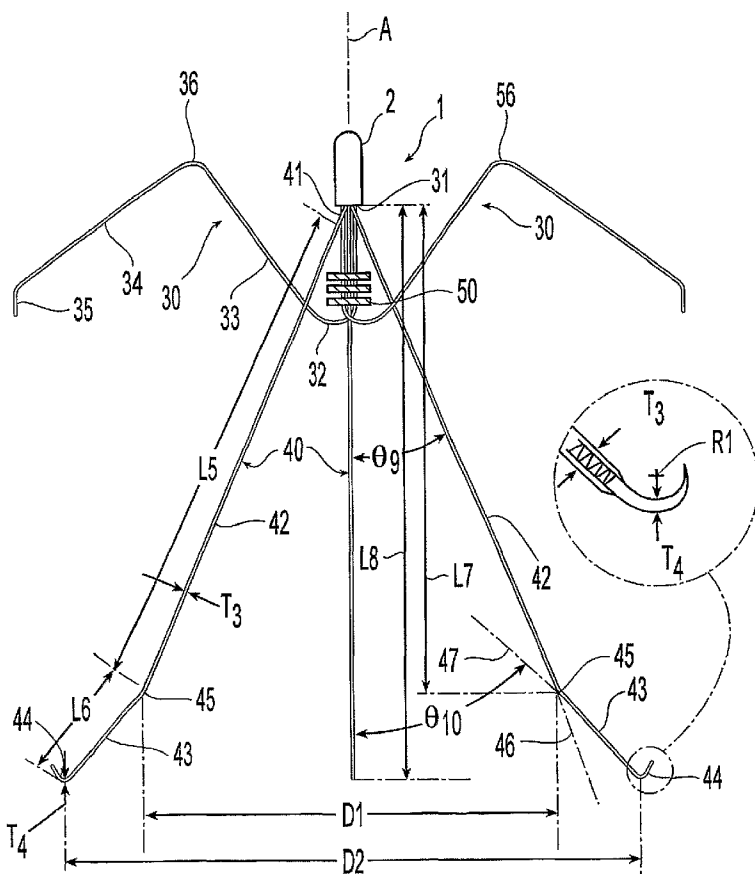
(74) Agent: **LAUB, David, W.**; PROSKAUER ROSE LLP, 1001 Pennsylvania Avenue, N.W., Suite 400 South, Washington, DC 20004 (US).

(81) Designated States (unless otherwise indicated, for every kind of national protection available): AE, AG, AL, AM, AT, AU, AZ, BA, BB, BG, BR, BW, BY, BZ, CA, CH, CN, CO, CR, CU, CZ, DE, DK, DM, DZ, EC, EE, EG, ES, FI, GB, GD, GE, GH, GM, GT, HN, HR, HU, ID, IL, IN, IS, JP, KE, KG, KM, KN, KP, KR, KZ, LA, LC, LK, LR, LS, LT, LU, LV, LY, MA, MD, MG, MK, MN, MW, MX, MY, MZ, NA, NG, NI, NO, NZ, OM, PG, PH, PL, PT, RO, RS, RU, SC, SD, SE, SG, SK, SL, SM, SV, SY, TJ, TM, TN, TR, TT, TZ, UA, UG, US, UZ, VC, VN, ZA, ZM, ZW.

(84) Designated States (unless otherwise indicated, for every kind of regional protection available): ARIPO (BW, GH, GM, KE, LS, MW, MZ, NA, SD, SL, SZ, TZ, UG, ZM, ZW), Eurasian (AM, AZ, BY, KG, KZ, MD, RU, TJ, TM), European (AT, BE, BG, CH, CY, CZ, DE, DK, EE, ES, FI, FR, GB, GR, HU, IE, IS, IT, LT, LU, LV, MC, NL, PL, PT,

[Continued on next page]

(54) Title: EMBOLUS BLOOD CLOT FILTER WITH POST DELIVERY ACTUATION



(57) Abstract: A removable blood clot filter includes a number of locator members and anchor members, and a bio-resorbable structure that causes locator members and/or anchor members to deploy to an initial configuration which changes when the bio-resorbable structure is resorbed. The bio-resorbable structure causes the filter locator members and/or anchor members to press against the vessel wall sufficient to locate and anchor the filter upon delivery. After the bio-resorbable structure is resorbed, the locator members and/or anchor members change shape to apply less pressure against the vessel wall. The bio-resorbable structure may be activated by exposure to radiation so that actuation of the locator members and/or anchor members can be enabled or initiated by a clinician.

WO 2007/079407 A3



RO, SE, SI, SK, TR), OAPI (BF, BJ, CF, CG, CI, CM, GA,
GN, GQ, GW, ML, MR, NE, SN, TD, TG).

(88) Date of publication of the international search report:
3 January 2008

Published:

— *with international search report*

For two-letter codes and other abbreviations, refer to the "Guidance Notes on Codes and Abbreviations" appearing at the beginning of each regular issue of the PCT Gazette.

INTERNATIONAL SEARCH REPORT

International application No.

PCT/US 06/62719

A. CLASSIFICATION OF SUBJECT MATTER IPC(8) - A61F 2/01 (2007.01) USPC - 623/1.38 According to International Patent Classification (IPC) or to both national classification and IPC		
B. FIELDS SEARCHED Minimum documentation searched (classification system followed by classification symbols) USPC: 623/1.38 IPC(8): A61F 2/01 (2007.01)		
Documentation searched other than minimum documentation to the extent that such documents are included in the fields searched		
Electronic data base consulted during the international search (name of data base and, where practicable, search terms used) uspto.gov; spec/(bioresorb\$ or bioabsorb\$ or resorb\$ or absorb\$ or collagen or mucosa or submucosa or biodegrad\$ or suture), and spec/(blood and filter)		
C. DOCUMENTS CONSIDERED TO BE RELEVANT		
Category*	Citation of document, with indication, where appropriate, of the relevant passages	Relevant to claim No.
X	US 6,267,776 B1 (OCONNELL) 31 July 2001 (31.07.2001) col 9, ln 9-58; col 7, ln 23-26; col 9, ln 9-58; col 13, ln 7-39; Fig. 24 and 29	1-2, 10, 15, 26-28 and 30
Y		3-7, 11-14, 16-25 and 29
Y	US 2001/0039432 A1 (WHITCHER et al.) 08 November 2001 (08.11.2001) para [0024], [0030]-[0041], ; Fig. 2-5, 7, 10	3-7, 11-12, 14, and 16-25
Y	US 2005/0163821 A1 (SUNG et al.) 28 July 2005 (28.07.2005) para [0057])	13 and 29
<input type="checkbox"/> Further documents are listed in the continuation of Box C. <input type="checkbox"/>		
* Special categories of cited documents: "A" document defining the general state of the art which is not considered to be of particular relevance "E" earlier application or patent but published on or after the international filing date "L" document which may throw doubts on priority claim(s) or which is cited to establish the publication date of another citation or other special reason (as specified) "O" document referring to an oral disclosure, use, exhibition or other means "P" document published prior to the international filing date but later than the priority date claimed "T" later document published after the international filing date or priority date and not in conflict with the application but cited to understand the principle or theory underlying the invention "X" document of particular relevance; the claimed invention cannot be considered novel or cannot be considered to involve an inventive step when the document is taken alone "Y" document of particular relevance; the claimed invention cannot be considered to involve an inventive step when the document is combined with one or more other such documents, such combination being obvious to a person skilled in the art "&" document member of the same patent family		
Date of the actual completion of the international search		Date of mailing of the international search report
04 September 2007 (04.09.2007)		04 OCT 2007
Name and mailing address of the ISA/US		Authorized officer:
Mail Stop PCT, Attn: ISA/US, Commissioner for Patents P.O. Box 1450, Alexandria, Virginia 22313-1450 Facsimile No. 571-273-3201		Lee W. Young
		PCT Helpdesk: 571-272-4300 PCT OSP: 571-272-7774

INTERNATIONAL SEARCH REPORT

International application No.

PCT/US 06/62719

Box No. II Observations where certain claims were found unsearchable (Continuation of item 2 of first sheet)

This international search report has not been established in respect of certain claims under Article 17(2)(a) for the following reasons:

1. Claims Nos.:
because they relate to subject matter not required to be searched by this Authority, namely:

2. Claims Nos.:
because they relate to parts of the international application that do not comply with the prescribed requirements to such an extent that no meaningful international search can be carried out, specifically:

3. Claims Nos.: 8, 9
because they are dependent claims and are not drafted in accordance with the second and third sentences of Rule 6.4(a).

Box No. III Observations where unity of invention is lacking (Continuation of item 3 of first sheet)

This International Searching Authority found multiple inventions in this international application, as follows:

1. As all required additional search fees were timely paid by the applicant, this international search report covers all searchable claims.
2. As all searchable claims could be searched without effort justifying additional fees, this Authority did not invite payment of additional fees.
3. As only some of the required additional search fees were timely paid by the applicant, this international search report covers only those claims for which fees were paid, specifically claims Nos.:

4. No required additional search fees were timely paid by the applicant. Consequently, this international search report is restricted to the invention first mentioned in the claims; it is covered by claims Nos.:

Remark on Protest

- The additional search fees were accompanied by the applicant's protest and, where applicable, the payment of a protest fee.
- The additional search fees were accompanied by the applicant's protest but the applicable protest fee was not paid within the time limit specified in the invitation.
- No protest accompanied the payment of additional search fees.