



US00D797831S

(12) **United States Design Patent** (10) **Patent No.:** **US D797,831 S**
Ducommun et al. (45) **Date of Patent:** **** Sep. 19, 2017**

(54) **MICROSCOPE** 42/130, 134–145, 124; 225/414; 356/29, 356/139, 2, 250, 251, 252, 138; 89/41, 89/19, 161, 200–204; 350/550; 250/467.1
(71) Applicants: **CENTRE HOSPITALIER UNIVERSITAIRE DE TOULOUSE**, Toulouse (FR); **UNIVERSITE PAUL SABATIER—TOULOUSE III**, Toulouse (FR); **CENTRE NATIONAL DE LA RECHERCHE SCIENTIFIQUE**, Paris (FR) CPC F41G 3/08
See application file for complete search history.

(56) **References Cited**

U.S. PATENT DOCUMENTS

(72) Inventors: **Bernard Ducommun**, Belberaud (FR); **Valerie Lobjois**, Pujaudran (FR); **Corinne Lorenzo**, Venerque (FR)
(73) Assignees: **Centre Hospitalier Universitaire De Toulouse**, Toulouse (FR); **Universite Paul Sabatier—Toulouse III**, Toulouse (FR); **Centre National De La Recherche**, Paris (FR)

D249,270	S	*	9/1978	Feinbloom	D16/131
D253,059	S	*	10/1979	Speaker	D16/131
D289,410	S	*	4/1987	Feinbloom	D16/131
D638,046	S	*	5/2011	Noda	D16/131
D656,978	S	*	4/2012	Stoiakine	D16/131
D674,830	S	*	1/2013	Stoiakine	D16/131
D697,118	S	*	1/2014	Okuyama	D16/131
D708,244	S	*	7/2014	Matoba	D16/131
D737,510	S	*	8/2015	Wright	D28/40
2004/0226574	A1	*	11/2004	Winn	A45D 8/22 132/277
2008/0216862	A1	*	9/2008	Silva	A45D 8/20 132/277

(**) Term: **14 Years**

(Continued)

(21) Appl. No.: **29/516,160**

Primary Examiner — Susan Bennett Hattan

(22) Filed: **Jan. 29, 2015**

Assistant Examiner — Jennifer Wright

(74) *Attorney, Agent, or Firm* — Sheridan Ross P.C.

(30) **Foreign Application Priority Data**

(57) **CLAIM**

Aug. 1, 2014	(FR)	143480
Aug. 1, 2014	(FR)	143481
Aug. 1, 2014	(FR)	143482
Aug. 1, 2014	(FR)	143483
Aug. 1, 2014	(FR)	143484

The ornamental design for a microscope, as shown and described.

DESCRIPTION

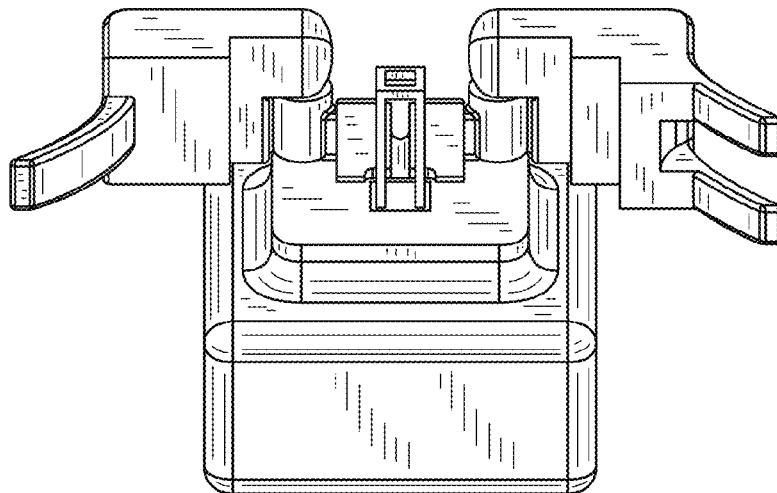
(51) **LOC (10) Cl.** **16-06**

(52) **U.S. Cl.**
USPC **D16/131**

(58) **Field of Classification Search**
USPC 359/375–395, 428, 424; D16/130–136; D22/100, 108, 109, 110, 199; 33/297, 33/298, 227, 299; 42/111, 112, 113, 122,

FIG. 1 is a front perspective view of the microscope showing the new design;
FIG. 2 is another front perspective view thereof;
FIG. 3 is a left perspective view thereof;
FIG. 4 is a right perspective view thereof with the side elements in a position similar to FIG. 3; and,
FIG. 5 is another left perspective view thereof, wherein side elements are in a closed position of use.

1 Claim, 5 Drawing Sheets



(56)

References Cited

U.S. PATENT DOCUMENTS

2015/0022883 A1* 1/2015 Staples G02B 21/084
359/387

* cited by examiner

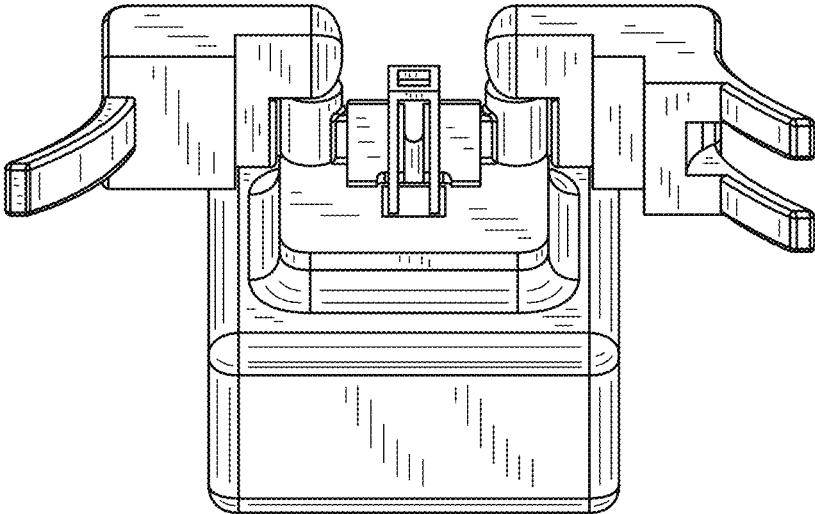


FIG.1

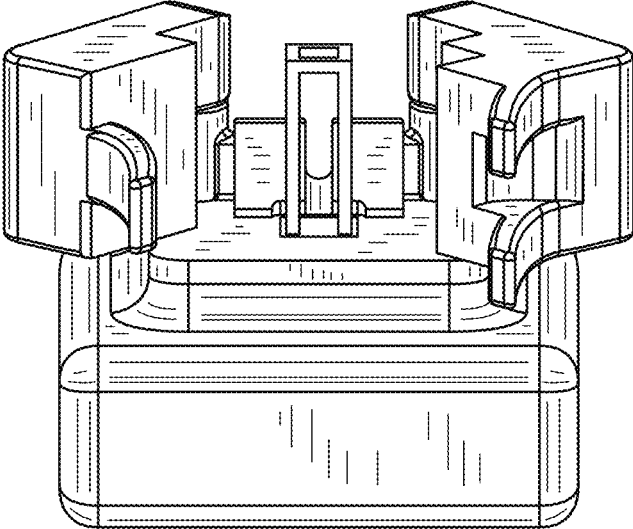


FIG. 2

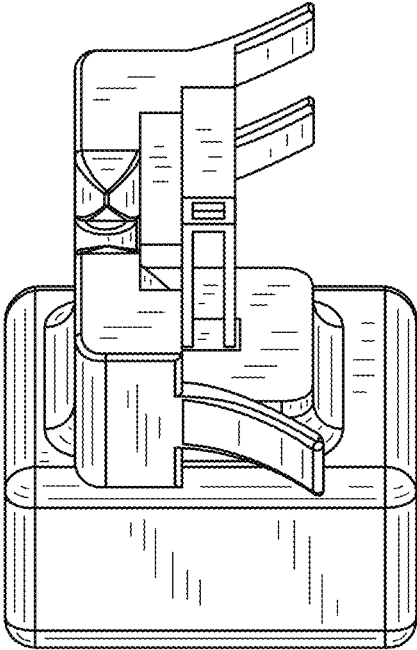


FIG.3

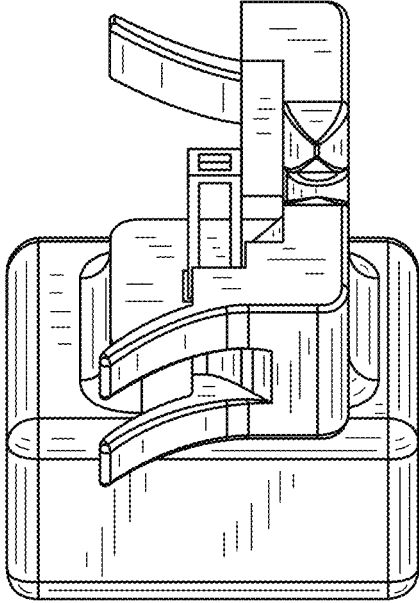


FIG.4

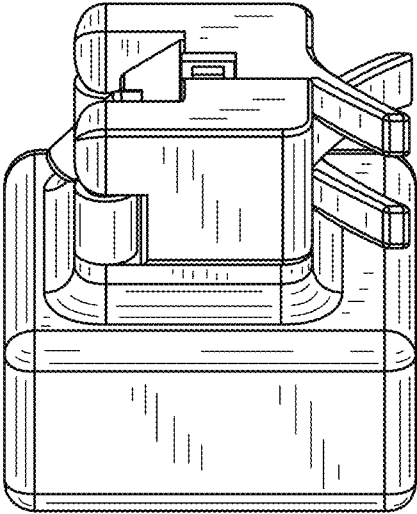


FIG.5