



US00D763461S

(12) **United States Design Patent**
Ma

(10) **Patent No.:** **US D763,461 S**

(45) **Date of Patent:** **** Aug. 9, 2016**

(54) **HEAD MASSAGER**
(71) Applicant: **SHENZHEN BREO TECHNOLOGY CO., LTD.**, Shenzhen (CN)
(72) Inventor: **Xuejun Ma**, Shenzhen (CN)
(73) Assignee: **SHENZHEN BREO TECHNOLOGY CO., LTD.**, Shenzhen (CN)

5,421,799 A * 6/1995 Rabin A61H 7/006
2/410
D368,141 S * 3/1996 Rabin D24/215
D405,537 S * 2/1999 Taylor D24/215
6,691,324 B1 * 2/2004 Nakamura A42B 3/00
2/412
6,986,169 B2 * 1/2006 Nakamura A42B 3/00
2/410

(**) Term: **15 Years**

* cited by examiner

(21) Appl. No.: **29/528,445**

Primary Examiner — Sandra Snapp

(22) Filed: **May 28, 2015**

(74) *Attorney, Agent, or Firm* — Hamre, Schumann, Mueller & Larson, P.C.

(51) **LOC (10) Cl.** **28-03**

(52) **U.S. Cl.**

USPC **D24/215**

(58) **Field of Classification Search**

USPC D24/200, 211, 212, 213, 214, 215, 189;
601/19, 27-32, 46, 49, 52, DIG. 12,
601/DIG. 14, DIG. 15, DIG. 16, DIG. 17, 48
CPC A61H 2201/0153; A61H 2201/0207;
A61H 2201/0263; A61H 2201/0111; A61H
2201/1253; A61H 2205/082; A61H 2205/085;
A61H 15/0085; A61H 19/00; A61H 19/30;
A61H 19/32; A61H 19/40; A61H 19/44;
A61H 19/50

See application file for complete search history.

(56) **References Cited**

U.S. PATENT DOCUMENTS

D233,632 S * 11/1974 Krik D24/214
4,675,919 A * 6/1987 Heine A42B 3/14
2/181
5,277,174 A * 1/1994 Schmidhauser A61H 7/006
601/70
D348,520 S * 7/1994 Wolf D24/200

(57) **CLAIM**

The ornamental design for a “head massager,” as shown and described.

DESCRIPTION

FIG. 1 is a perspective view of the head massager;
FIG. 2 is a front view of the head massager;
FIG. 3 is a rear view of the head massager;
FIG. 4 is a left view of the head massager;
FIG. 5 is a right view of the head massager;
FIG. 6 is a top view of the head massager;
FIG. 7 is a bottom view of the head massager;
FIG. 8 is a perspective view of the head massager in an open state;
FIG. 9 is a front view of the head massager in an open state;
FIG. 10 is a rear view of the head massager in an open state;
FIG. 11 is a left view of the head massager in an open state;
FIG. 12 is a right view of the head massager in an open state;
FIG. 13 is a top view of the head massager in an open state;
and,
FIG. 14 is a bottom view of the head massager in an open state.

1 Claim, 12 Drawing Sheets

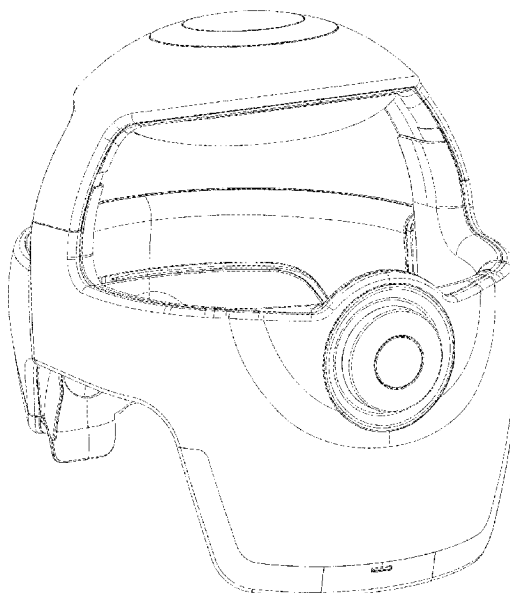




FIG.1

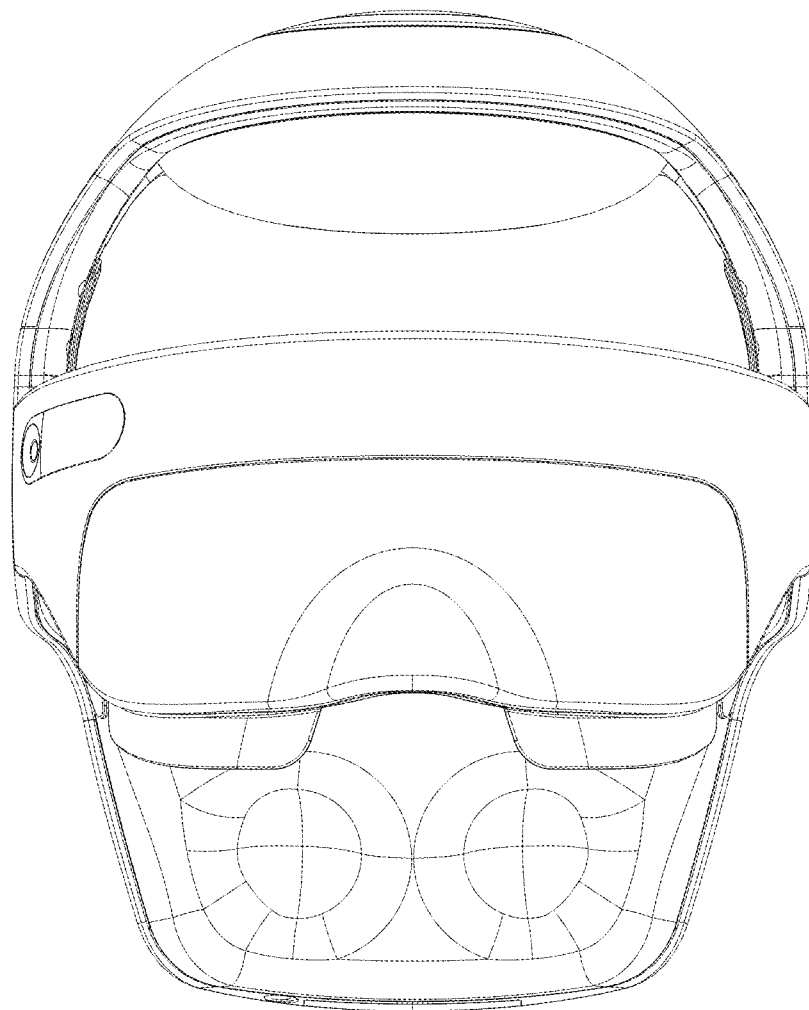


FIG.2

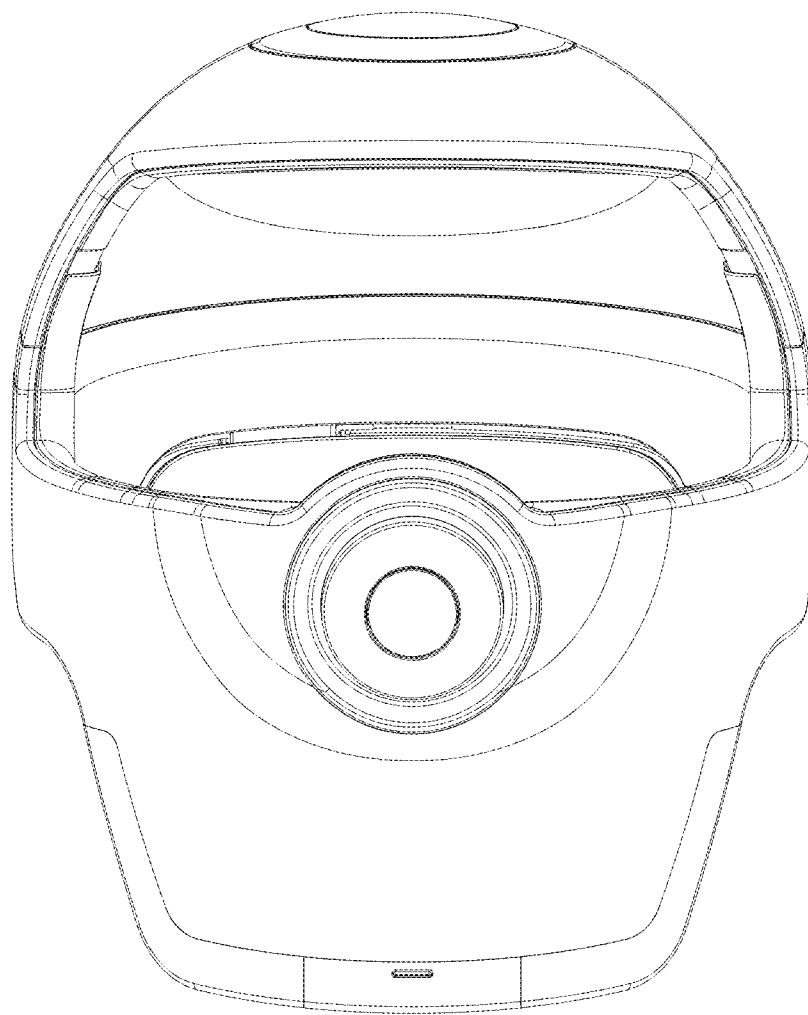


FIG.3

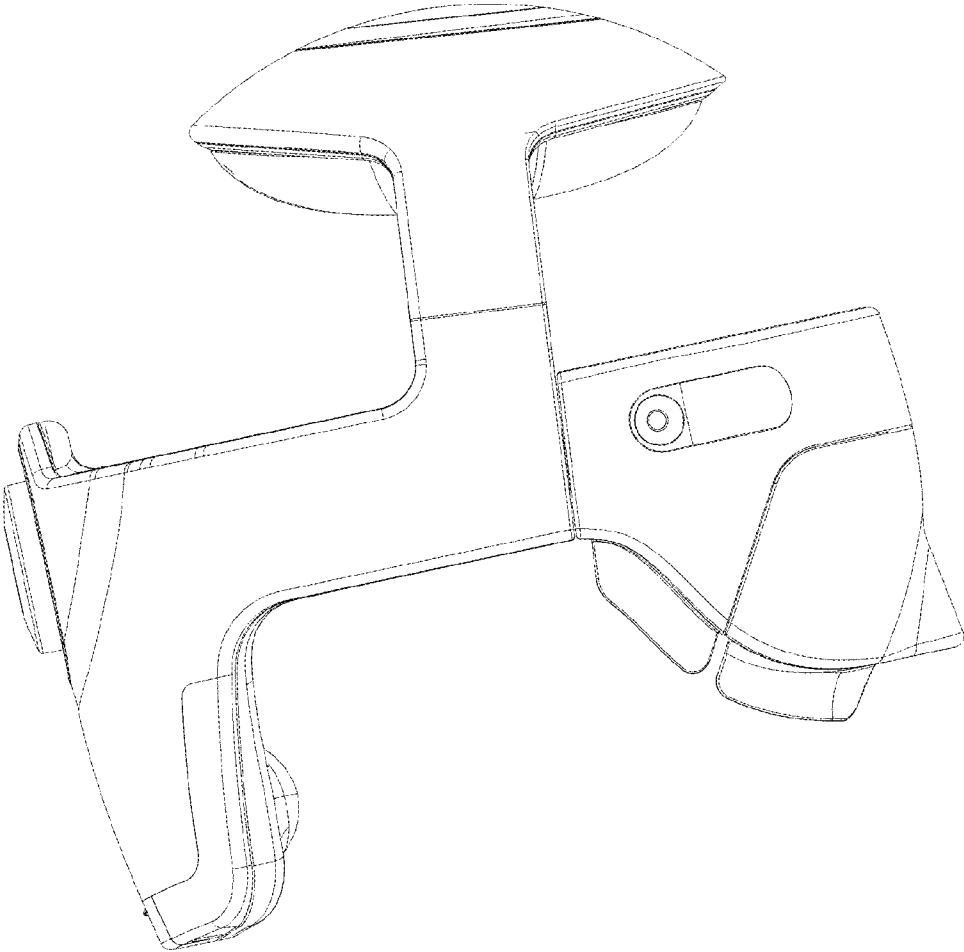


FIG.4

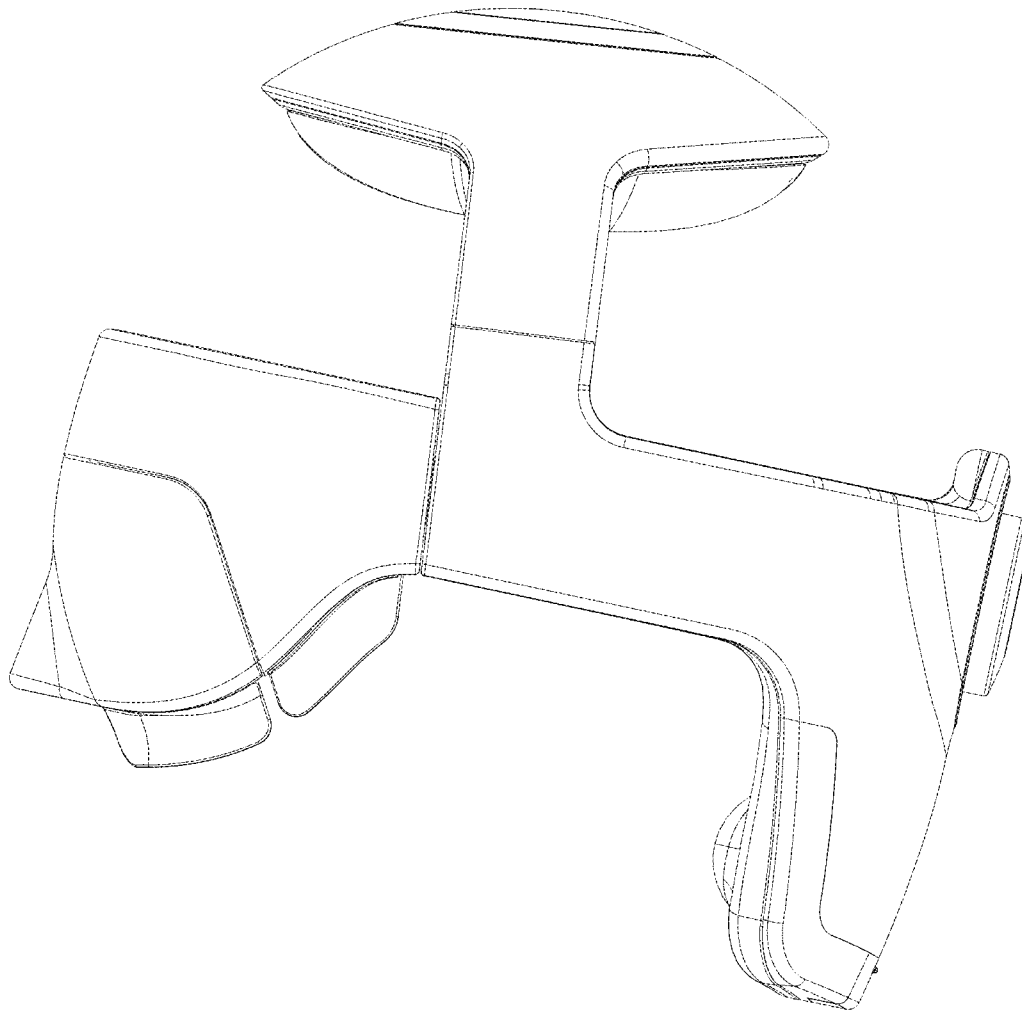


FIG.5

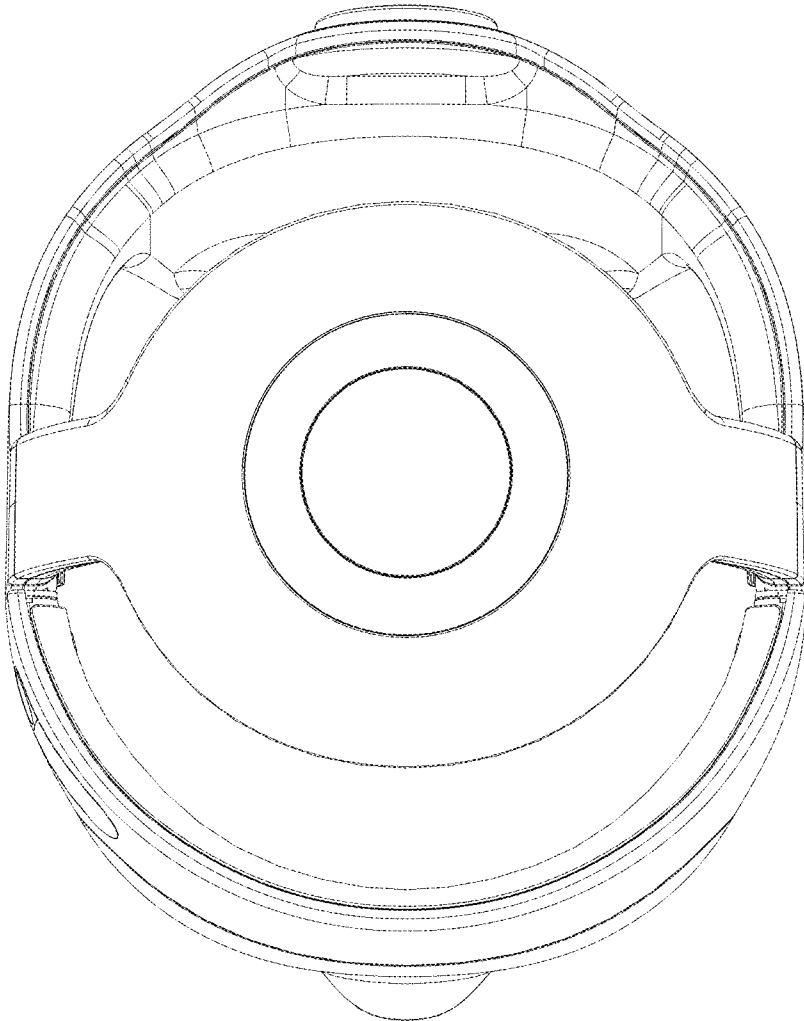


FIG.6

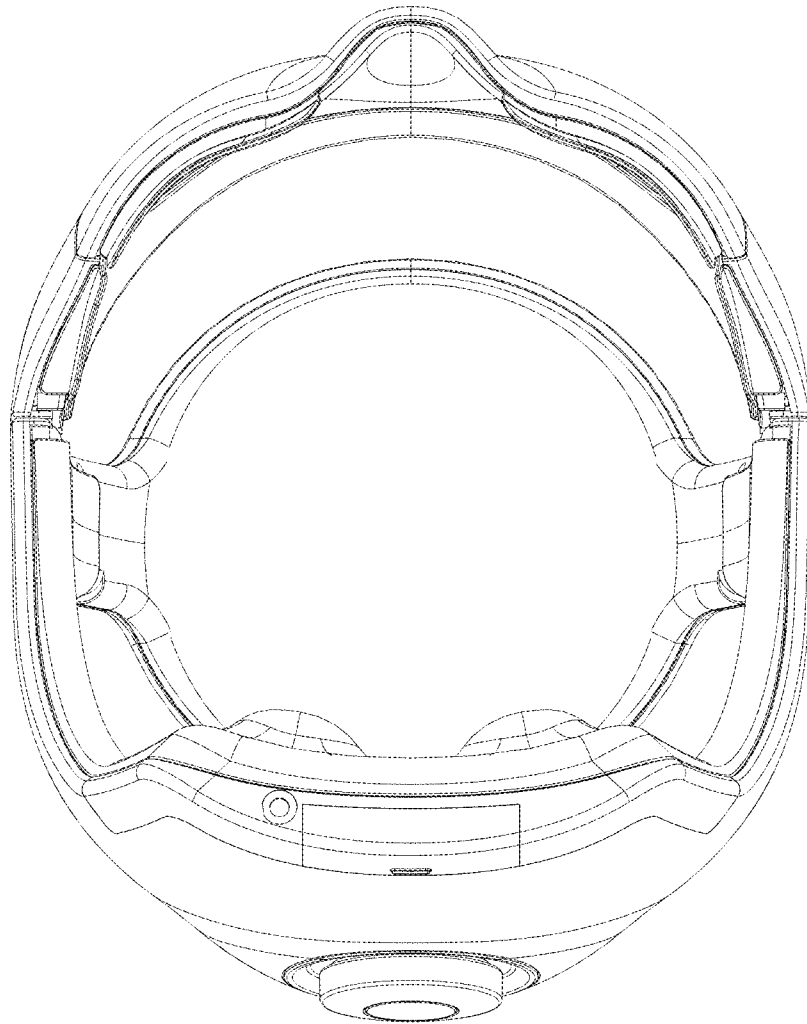


FIG.7

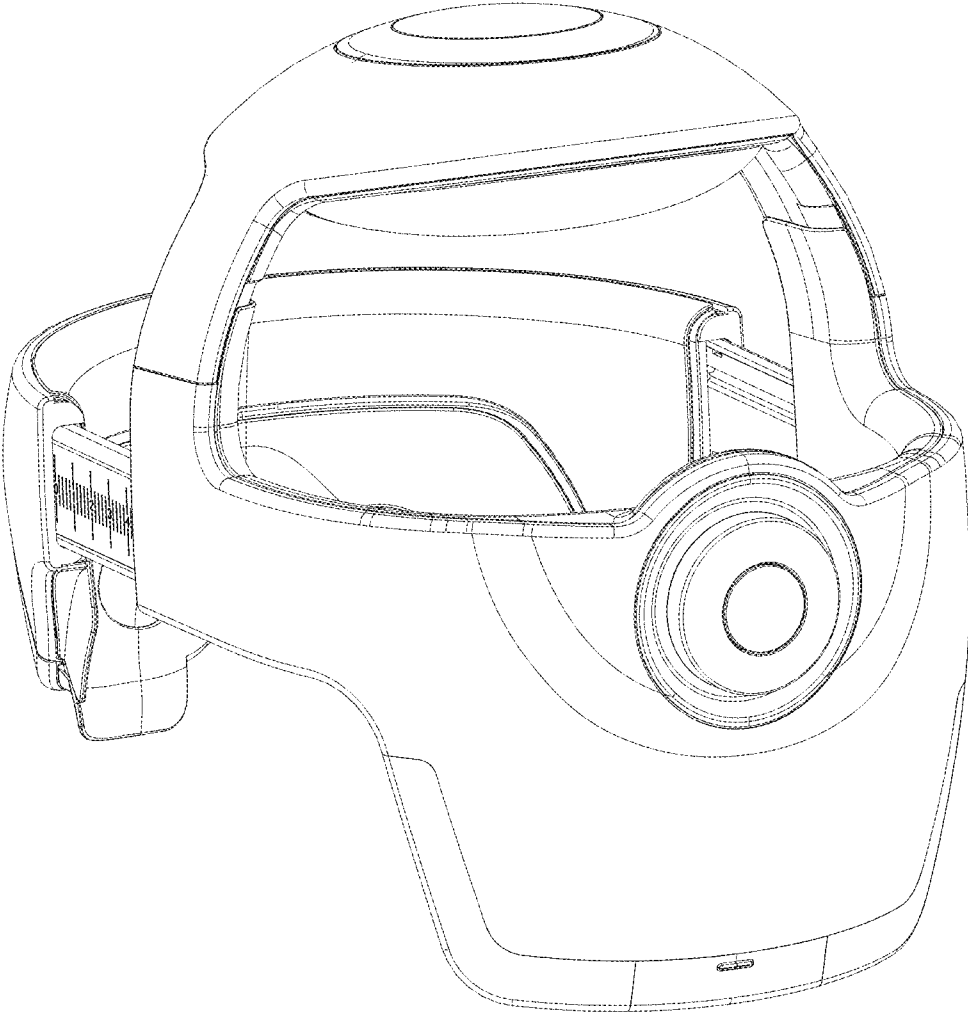


FIG.8

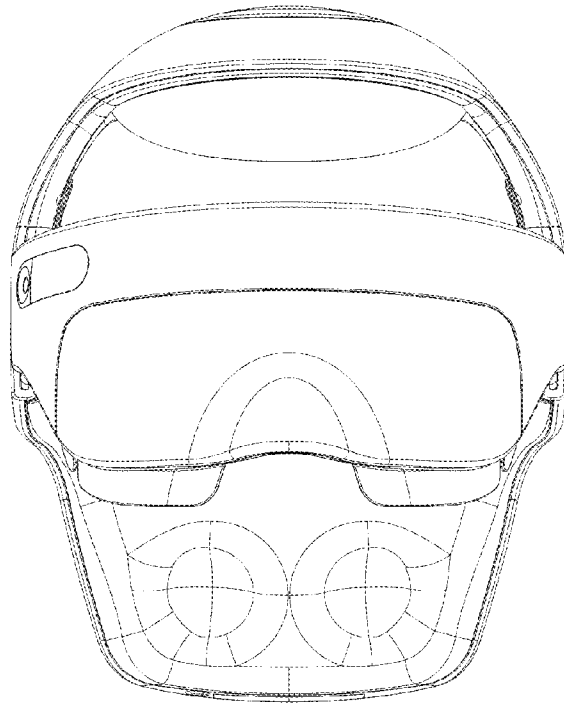


FIG.9

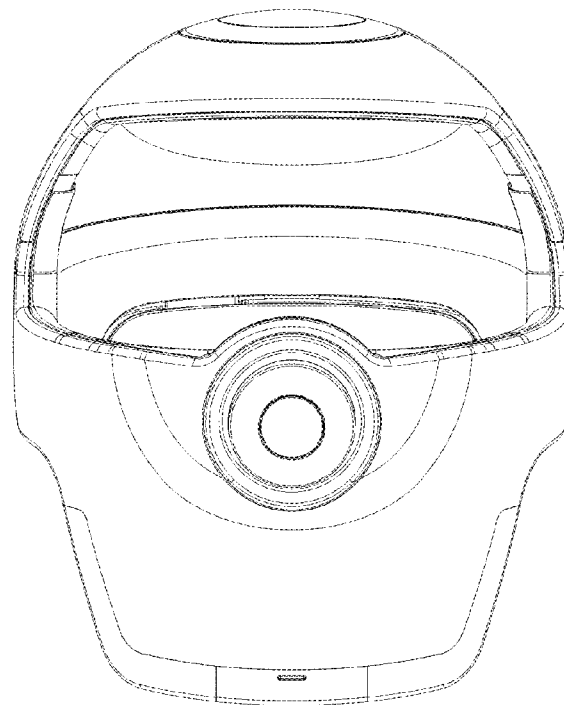


FIG.10

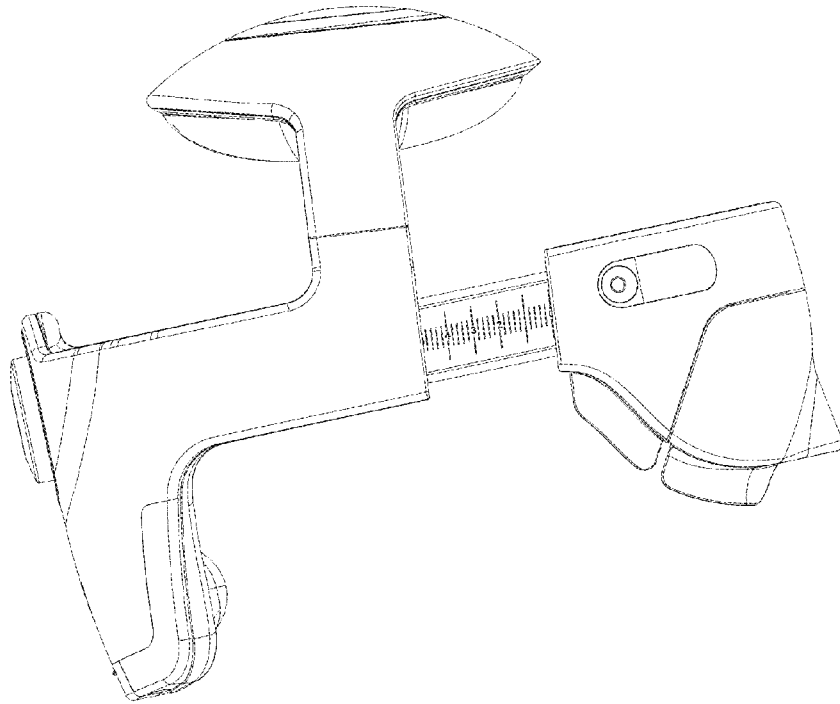


FIG.11

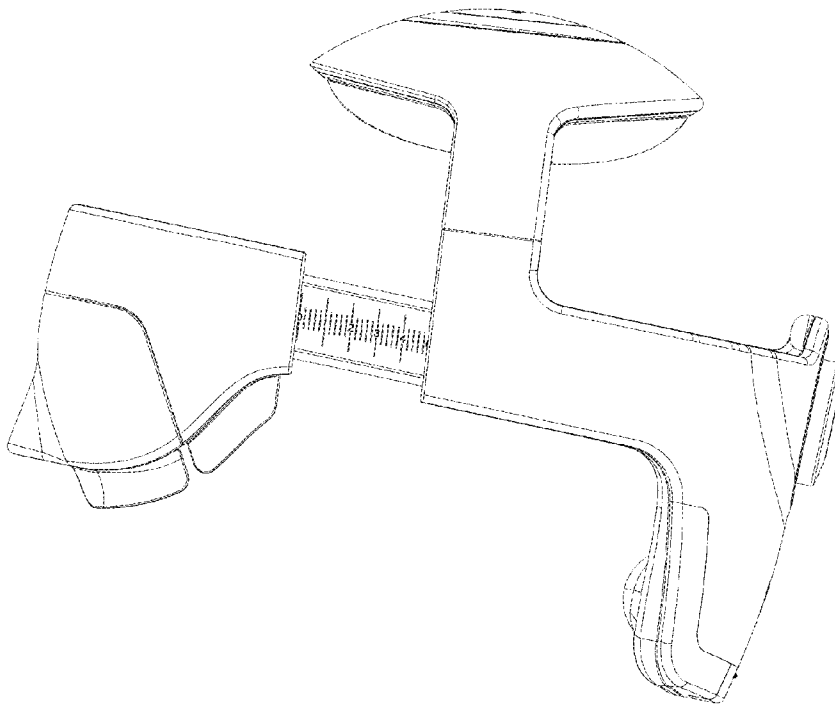


FIG.12

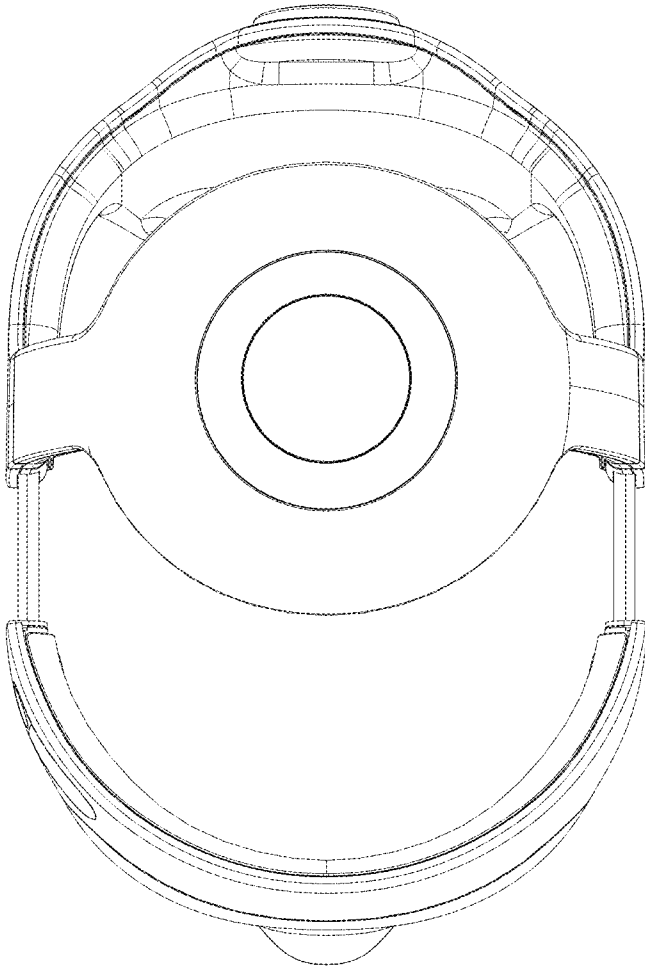


FIG.13

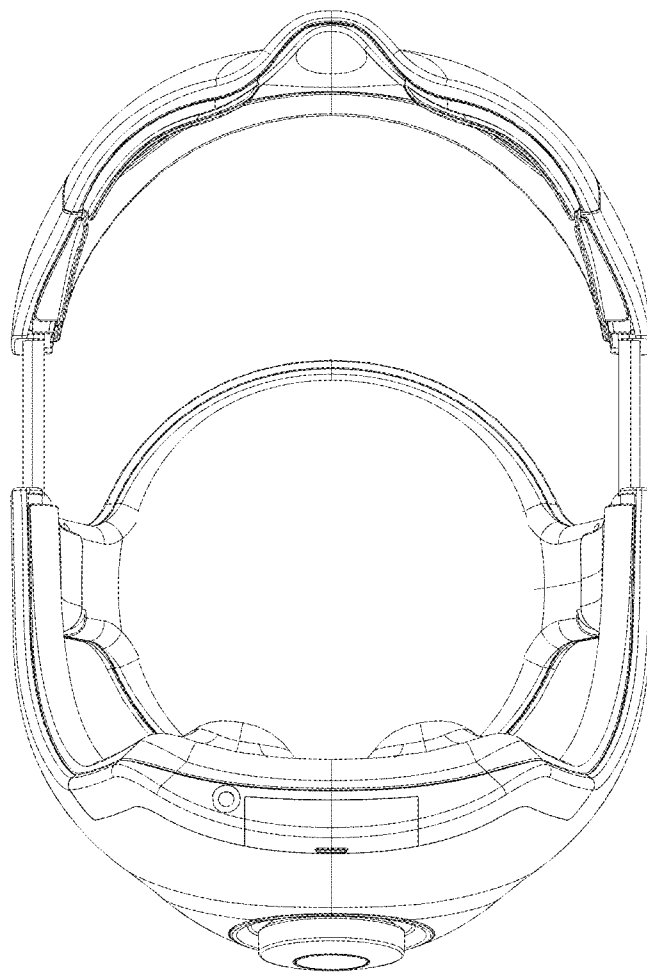


FIG.14