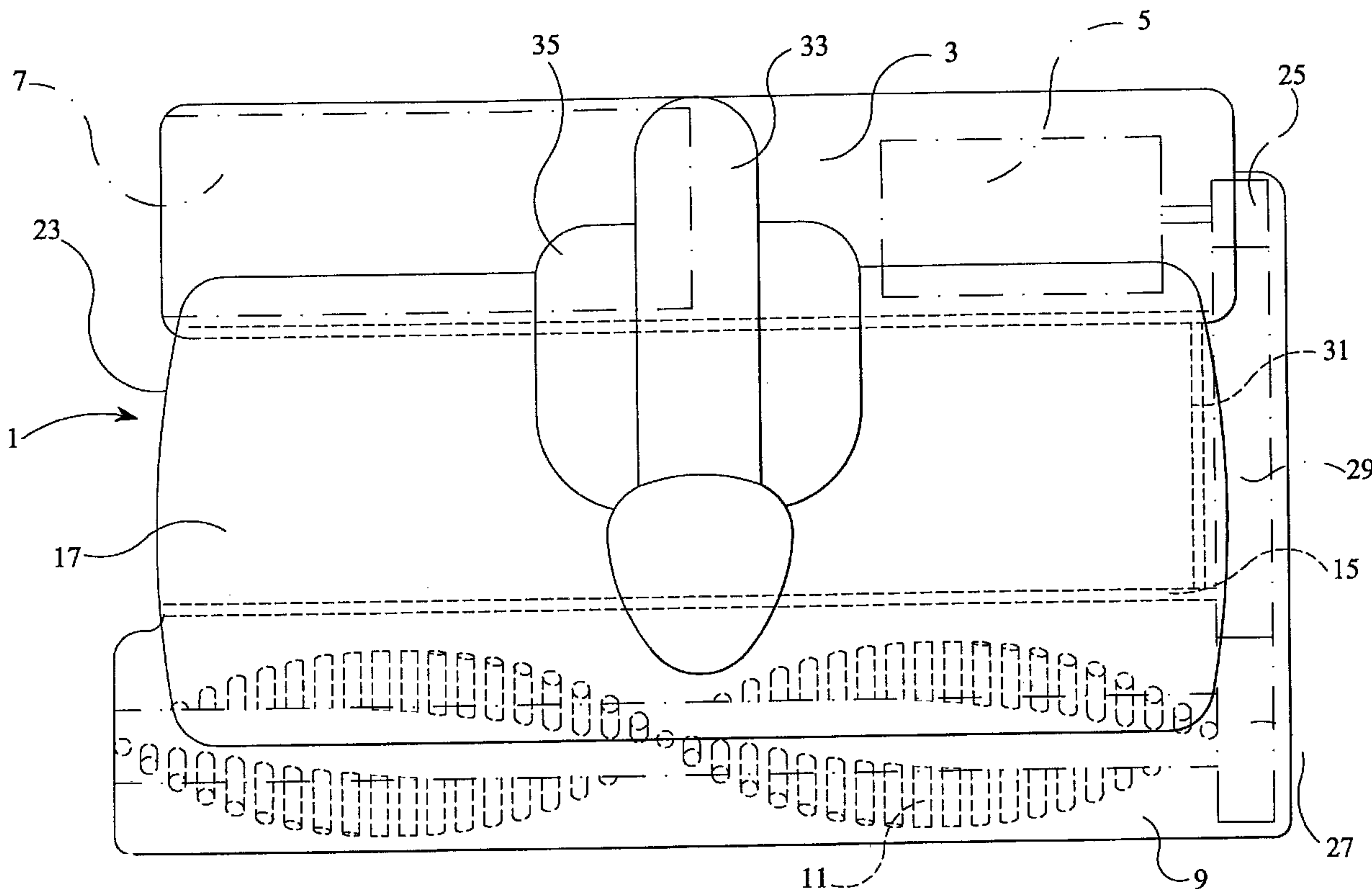




(22) Date de dépôt/Filing Date: 2002/07/19
 (41) Mise à la disp. pub./Open to Public Insp.: 2003/01/30
 (45) Date de délivrance/Issue Date: 2008/06/03
 (62) Demande originale/Original Application: 2 451 958
 (30) Priorités/Priorities: 2001/07/20 (GB0117722.9);
 2001/11/17 (GB0127652.6)

(51) Cl.Int./Int.Cl. *A47L 11/33* (2006.01),
A47L 11/24 (2006.01), *A47L 11/282* (2006.01),
A47L 11/32 (2006.01), *A47L 11/40* (2006.01)
 (72) Inventeur/Inventor:
 GREY, NICHOLAS GERALD, GB
 (73) Propriétaire/Owner:
 GREY, NICHOLAS GERALD, GB
 (74) Agent: SEABY & ASSOCIATES

(54) Titre : APPAREIL DE NETTOYAGE DE SURFACE
 (54) Title: SURFACE CLEANING APPARATUS



(57) **Abrégé/Abstract:**

A surface cleaning apparatus comprises a body (1; 106) and an elongate rotatable brush arrangement (11; 116) extends transversely within the body and has bristles (118) which protrude through an opening provided in the base of the body. A movable front portion is provided on the body (1; 106) adjacent to the brush arrangement (11; 116) and is adapted to increase the exposure of the bristles of the brush arrangement.

- 20 -

ABSTRACT

SURFACE CLEANING APPARATUS

5 A surface cleaning apparatus comprises a body (1; 106) and
an elongate rotatable brush arrangement (11; 116) extends
transversely within the body and has bristles (118) which
protrude through an opening provided in the base of the
body. A movable front portion is provided on the body (1;
10 106) adjacent to the brush arrangement (11; 116) and is
adapted to increase the exposure of the bristles of the
brush arrangement.

Fig. 4

- 1 -

SURFACE CLEANING APPARATUS

This invention relates to a surface cleaning apparatus, such as for a floor or upholstery, incorporating an elongate rotatable brush arrangement and an electric motor
5 for rotating the brush.

Current surface cleaning apparatus generally employs suction means. One of the drawbacks of such suction means is that the fans used to generate suction are relatively
10 inefficient, i.e. typically 10 to 12 percent efficient in use, with the result that such apparatus tends not to be easily portable. This is especially the case where the apparatus incorporates batteries for powering the motor.
15 It is therefore not practical to incorporate batteries of sufficient power in a readily portable suction cleaner in order to provide the degree of suction required for effective cleaning.

It is known to provide surface cleaning apparatus, such as for sweeping, in which an elongate brush arrangement, sometimes known as a brush bar, is supported for rotation in a housing which is adapted to be propelled at least in a forwards direction. The brush arrangement generally
25 extends transversely of the housing and is adapted to contact a surface beneath it. The brush arrangement is arranged to be rotated by friction resulting from propelling the housing across a floor. The housing can be provided with wheels which contact the surface. One of the
30 drawbacks of such a construction is that the friction drive is not very effective.

It is also known to provide one or more auxiliary brush arrangements extending outwardly from one or two front
35 corners of the housing. The auxiliary brush arrangement is

- 2 -

provided for rotation about an axis inclined to the vertical and is provided with radial bristles. An auxiliary brush arrangement of this kind is described in GB-A-1 547 286. The auxiliary brush arrangement is freely rotatable and relies for its rotation on contact with the floor or a skirting board of a room during propulsion of the apparatus across the floor. Such means of rotation is unreliable and results in particles of dust and/or dirt on the floor being flicked towards the elongate rotating brush assembly for collection by the apparatus. Furthermore, contact of the circular auxiliary brush arrangement with the floor or a skirting board results in bristles of the auxiliary brush arrangement which extend outwardly sideways from the housing undergoing angular rotation effectively in a backwards direction. This means that an auxiliary brush means extending outwardly from a front right hand corner of the housing, as viewed from above and behind the apparatus, would be rotated in a clockwise direction and would flick dust and or dirt around behind it in the direction of the elongate rotating brush arrangement. This is not very satisfactory.

It is therefore an object of the present invention to provide a surface cleaning apparatus which overcomes, or at least ameliorates, at least some of the problems of known apparatus.

According to a first aspect of the present invention there is provided a surface cleaning apparatus comprising:

30

a body;

an elongate rotatable brush arrangement extending transversely within the body and having bristles which

- 3 -

protrude through an opening provided in a base of the body;

5 a compartment for collecting debris positioned within the body adjacent to the elongate rotatable brush arrangement, the debris-collecting compartment being adapted to receive debris swept up by rotation of the brush arrangement; and

10 a movable front portion provided on the body adjacent to the brush arrangement and adapted to increase exposure of the bristles of the brush arrangement.

15 The front portion may be removable from the body. Alternatively, the front portion may be pivotable relative to the body. As a further alternative, the front portion may be slidable relative to the body.

The rotatable brush arrangement may extend substantially the entire width of the body.

20 The debris-collecting compartment may be provided with a removable closure for the removal of debris therefrom. The removable closure may comprise a removable side wall. Alternatively, the removable closure may comprise a removable tray.

25 The elongate rotatable brush arrangement may be positioned within and extending across a compartment provided in the body and located forward of the debris-collecting compartment.

30 A wall may be provided between the debris-collecting compartment and the forward compartment, the wall extending from the base of the debris-collecting compartment and terminating short of the top thereof. The top of the wall
35 may be at substantially the same height as the top of the brush arrangement. The wall may be inclined rearwardly, for example at an angle of inclination of the wall in the range of 15 to 20 degrees.

- 4 -

5 The body may comprise a further compartment located rearwardly of the debris-collecting compartment, an electric motor being positioned in the rear compartment, and drive means extending between the brush arrangement and the electric motor.

A battery may be positioned in the rear compartment together with the electric motor.

10 The drive means may pass at least partly through the debris-collecting compartment, for example through a tunnel which passes at least partly through the debris-collecting compartment.

15 The drive means may be positioned adjacent a side of the debris-collecting compartment.

The drive means may comprise a belt drive, for example a toothed belt.

20 A wall may be provided between the rear compartment and the debris-collecting compartment to seal the rear compartment from the debris-collecting compartment.

25 The apparatus may incorporate handle means. The length of the handle means may be varied. Alternatively, the handle means may be interchangeable. As a further alternative, a further handle means may serve to extend the first-mentioned handle means.

30 The body may be provided with ground-engaging wheels.

The surface for cleaning by the apparatus of the present invention may be any surface which is to be swept and may
35 be a floor, stairway, or upholstery, of premises or vehicles.

For a better understanding of the present invention and to show more clearly how it may be carried into effect

- 5 -

reference will now be made, by way of example, to the accompanying drawings in which:

5 Figure 1 is a plan view of one embodiment of a surface cleaning apparatus according to the present invention;

Figure 2 is a side elevational view, partly in section, of the surface cleaning apparatus shown in Figure 1;

10 Figure 3 is an elevational view of the surface cleaning apparatus of Figures 1 and 2 with an alternative handle;

15 Figure 4 is a perspective view of another embodiment of surface cleaning apparatus according to the present invention with part of a brush bar cover removed for clarity;

Figure 5 is a perspective view of the apparatus of Figure 4, with part of the housing thereof removed;

20 Figure 6 is an underside view of the apparatus of Figure 4 with part of the brush bar cover removed for clarity;

25 Figure 7 is a perspective view of an alternative embodiment of surface cleaning apparatus according to the present invention with part of the brush bar cover removed for clarity (shown in dashed lines); and

30 Figure 8 is a perspective view of a further embodiment of surface cleaning apparatus according to the present invention with part of the brush bar cover removed for clarity (shown in dashed lines).

- 6 -

The surface cleaning apparatus shown in Figures 1 and 2 comprises a body 1, suitably moulded of plastics material, and having effectively three compartments.

5 A rear compartment 3 houses an electric motor 5 and a rechargeable battery pack 7. The battery pack 7 may be connected to a mains power supply (not shown) for recharging the battery pack. The battery pack may either be connected to the mains supply whenever the apparatus is
10 not in use or at suitable times when the battery pack has become depleted. Switch means (not shown) is provided to permit a user to energise and de-energise the motor 5 as desired. As an alternative to a rechargeable battery pack, the apparatus could employ disposable batteries or be mains
15 powered.

A forward compartment 9 houses an elongate rotatable brush arrangement 11. For convenience a forward wall of the forward compartment is arcuate and extends around the
20 periphery of the brush arrangement 11. The bottom of the forward compartment is open at 13 to allow the bristles of the brush arrangement to contact a floor, carpet or the like over which the surface cleaning apparatus is to be moved. The rear of the forward compartment is a rearwardly
25 inclined wall 15 which allows debris, such as dust, dirt and the like, to be propelled up the wall due to rotation of the brush arrangement 11 and to pass over the wall into an intermediate compartment 17 which will be described in more detail hereinafter. The wall 15 extends upwardly to
30 about the same height as the top of the brush arrangement 11 and is angled rearwardly (i.e. away from the forward compartment) at an angle of about 18 degrees. The precise angle is not important, but the inclination facilitates the passage of the debris up and over the wall and at the same
35 time facilitates retention of the debris within the

- 7 -

intermediate compartment 17. The brush arrangement extends substantially the entire width of the forward compartment and is provided with two helically arranged rows of bristles. The two rows are diametrically opposed and each row is in the form of a pair of separate helices which twist in opposite directions and meet substantially midway between the ends of the brush arrangement.

The intermediate compartment 17 is positioned between the wall 15 and a wall 21 which encloses the electrical components 5, 7 in the rear compartment 3, the wall 21 protecting the components in the rear compartment from the ingress of debris. The intermediate compartment 17 also has a lower wall, an upper wall and side walls formed by the outer wall of the body 1. Debris therefore accumulates within the intermediate compartment 17. The intermediate compartment is provided with a removable closure to facilitate the removal of debris. For example, one of the walls, such as a side wall, the upper wall or the lower wall, can be removed in order that the debris can be emptied from the intermediate compartment, the removed wall being replaced once the compartment has been emptied. Ideally, side wall 23 is removable for emptying purposes. The wall 15 provides the advantage that debris does not readily escape from the intermediate compartment 17 and, even if the body is inclined such that the forward compartment is below the intermediate compartment, the debris does not escape from the intermediate compartment.

The brush arrangement 11 is rotated by the motor 5 by way of toothed rollers 25, 27 attached to the motor and to the brush, respectively, and by way of a toothed belt 29, for example of elastomeric material, extending around the two rollers. The toothed belt 29 is enclosed within a tunnel 31 where it passes through the intermediate compartment 17

- 8 -

in order to prevent the ingress of debris into the rear compartment 3. The tunnel 31 may pass through the intermediate compartment 17 at any convenient point. However, particularly in the event side wall 23 is
5 removable for emptying purposes, the tunnel may be arranged at that side of the intermediate compartment 17 remote from the side wall 23.

A handle 33 is attached to the body 1 in the region of the rear compartment 3, the body being formed with a recess 35
10 beneath the handle to allow the handle to be gripped while maintaining a low profile for the surface cleaning apparatus. The handle 33 may be in two parts, a first part 37 which is secured to the body 1 and a second part 39
15 which can be removed from the first part and replaced by a longer handle part 41 as shown in Figure 3. The longer handle part 41 is provided with swivel means 43 to allow the handle part 41 to rotate about the axis thereof relative to the body 1 and with pivot means 45 to allow the
20 handle part to pivot about an axis transverse to the axial direction of the handle part to enable the surface cleaning apparatus to be steered by the user. As an alternative to interchangeable handles, the handle part 41 may be removably engageable with the handle part 33. In such a
25 case, the handle part 33 is arranged such that the swivel means 43 functions only in certain positions of the handle part 33 in order that movement can be inhibited when the handle part 33 is used alone.

30 As will be apparent particularly from Figure 3, the bristles of the brush arrangement 11 extend outwardly from the aperture in the forward compartment 9. In order to remove stubborn debris and/or to revitalise carpet the lower front region of the forward compartment may be
35 chamfered, or the front region of the forward compartment

- 9 -

may be movable (including removable), to increase the exposure of the bristles in this region. In this way, the forward part of the apparatus may be inclined relative to the surface to be cleaned, thereby increasing contact
5 between the bristles and a surface to be cleaned and, on some surfaces, increasing the depth to which the bristles penetrate and clean the surface.

Although not shown, an auxiliary rotary brush may be provided at that side of the brush arrangement 11 which
10 incorporates the roller 27 and the belt 29. Such an auxiliary brush is described, for example, in GB-A-1 547 286. Such an auxiliary brush is able to sweep debris into the path of the brush arrangement 11 which might otherwise
15 be missed due to the lack of bristles in the region of the roller 27. The auxiliary brush may be driven by any suitable means, such as gearing from the brush arrangement 11 or by friction with the surface to be swept, and is suspended from and extends outwardly beyond the body 1.
20 The auxiliary brush may comprise a cylindrical body rotatable about an axis which is inclined to the vertical by about 10 degrees so as to extend outwardly beyond the body 1. Bristles protrude radially outwardly from the periphery of the cylindrical body, but need not be
25 perpendicular to the axis of rotation and may preferably be at an angle of about 80 degrees to the axis of rotation so as to form a cone which increases in cross-section with increasing distance from the body 1.

30 Although not shown, the front part of the forward compartment 9 may be removed to expose the bristles at the front of the apparatus. This effectively increases the aperture in the forward compartment which would seriously impair the effectiveness of a suction cleaner, but in the
35 present invention can effectively be used to assist in the

- 10 -

sweeping of stairs, cleaning upholstery and carpets in vehicles and the like operations where a greater exposed area of bristles can be useful. As an alternative to removing the front part of the compartment 9, the front part may be movable, for example pivotable or slidable, relative to the remainder of the compartment in order to expose the bristles.

Although not shown, the rear compartment 3 may be provided with ground-engaging wheels in order to assist mobility of the surface cleaning apparatus. The ground-engaging wheels may, for example, be formed externally in the side regions of the rear compartment 3 or may be provided within recesses formed at least partly beneath the rear compartment 3.

Although the illustrated embodiments of the present invention are intended primarily for domestic use, the surface cleaning apparatus can also be used outdoors or in workshops if desired. However, it may be preferable to provide a more rugged design specifically adapted for such use.

In use of the surface cleaning apparatus according to the invention, as shown in Figures 1 and 2, the apparatus is placed upon a surface to be swept, such as a carpet, and the switch operated to energise the motor and consequently to rotate the brush arrangement to sweep debris from the surface and then propel the debris up and over the inclined wall 15 and into the intermediate compartment 17 where it is temporarily stored. As the surface cleaning apparatus is moved over the surface with the brush arrangement 11 rotating, any further debris is similarly swept from the surface and propelled up and over the wall 15 and into the intermediate compartment 17. The surface cleaning

- 11 -

apparatus is extremely portable and can be employed wherever it may be required. For example, it can be used to sweep stairs without the need for electrical leads or suction hoses. The shape of the apparatus with the rounded shape of the rear compartment as illustrated facilitates movement of the apparatus over stairs, but ground engaging wheels may be provided to further facilitate such sweeping operations.

5
10
15
When the intermediate compartment 17 is to be emptied, one wall of the compartment is removed as explained above and the debris can readily be discharged. The removable wall is then replaced. Alternatively, the intermediate compartment may be in the form of a tray which can be removed and emptied so as to discharge debris.

20
When the surface cleaning apparatus is not in use it can be stored, for example either in a cupboard or the like or plugged into a mains supply in order to recharge the battery 7.

25
30
35
Thus the surface cleaning apparatus of the present invention incorporates an electrically driven brush arrangement. The brush arrangement is not driven by frictional forces between the surface cleaning apparatus and the surface over which it is to be moved. Thus, efficiency of the apparatus is not dependent on the nature of the frictional contact. Further, the apparatus does not rely on suction means to draw the debris into a storage chamber. Thus, efficiency of the apparatus is not dependent on the effectiveness of suction means and the substantial power drain of suction means on the rechargeable battery is avoided. The provision of the motor at the rear of the apparatus eliminates the need for increased height should the motor be positioned over the

- 12 -

compartment for collecting dust and the like and also provides effective full width cleaning which would not be possible if the motor was to be positioned within the compartment for collecting debris. In such a position, debris is likely to accumulate around the motor and cause blockages. The present invention overcomes this problem by passing the drive means for the brush arrangement at least partly through the debris compartment.

Referring to Figures 4, 5 and 6, apparatus 102 for cleaning a surface 104 by sweeping comprises a housing 106, suitably of moulded plastics material, and effectively having three compartments. A rear compartment 108 houses an electric motor 110 and a rechargeable battery pack 112. The battery pack 112 may be connected to a mains power supply (not shown) for recharging the battery pack. The battery pack may either be connected to the mains supply whenever the apparatus is not in use or at suitable times when the battery pack has become depleted. Switch means 113 is provided to permit a user to energise and de-energise the motor 110 as desired. As an alternative to a rechargeable battery pack, the apparatus could employ disposable batteries or be mains powered.

A forward compartment 114 houses a transversely-arranged elongate rotatable brush arrangement 116, with bristles 118. Such elongate rotatable brush arrangement 116 is sometimes known as a brush bar. The bottom of the forward compartment 114 is open at 120 to allow the bristles 118 of the elongate brush arrangement 116 to contact a floor, carpet or the like over which the apparatus is to be propelled. The rear of the forward compartment is a rearwardly inclined wall 122 which allows debris, such as dust, dirt and the like to be propelled up the wall due to rotation of the brush arrangement 116 and to pass over the

- 13 -

wall into an intermediate compartment 124. The front of the forward compartment is provided with a cover (not shown) which may be removable if desired. Debris accumulating in the intermediate compartment 124 can be removed by opening a cover 126. The wall 122 extends upwardly to about the same height as the top of the elongate brush arrangement 116 and may be angled rearwardly (i.e. away from the forward compartment) such as at an angle of about 18 degrees. The precise angle is not important, but the inclination facilitates the passage of the debris up and over the wall 122 and at the same time facilitates retention of the debris within the intermediate compartment 124.

The elongate brush arrangement 116 is rotated by the motor 110 by way of toothed rollers 128, 130 attached to the motor and to the brush arrangement, respectively, and by way of a toothed belt 131, for example of elastomeric material, extending around the two rollers. The toothed belt 131 is enclosed within a tunnel 132 where it passes through or alongside the intermediate compartment 124 in order to prevent the ingress of debris into the rear compartment 108.

An auxiliary brush means 134 is provided extending outwardly from the housing 106 at the right hand side of the elongate rotatable brush arrangement 116 as viewed from above and behind the apparatus 102. The auxiliary brush means 134 is of substantially circular form and is supported for rotation about an axis 136, which may be vertical or inclined to vertical, such as at an angle of about 10 degrees to vertical. The auxiliary brush means 134 has a body 138 provided with radial bristles 140 which are inclined at an acute angle to the axis of rotation 136 so as to effectively form a conical arrangement increasing

- 14 -

in cross-section with increasing distance from the body 138.

5 The auxiliary brush means 134 is rotatably driven from the rotating elongate brush arrangement 116 by a gear wheel 142 at the end of the elongate brush arrangement 116 which meshes with a further gear wheel 144 on the body 138 of the auxiliary brush means 134. The auxiliary brush means 134 is caused to be rotated in an anti-clockwise direction
10 denoted by arrow 146, as viewed from above and behind the apparatus 102. During such rotation of the auxiliary brush means 134, a peripheral region thereof rotates from a sideways-directed position 148 (Figure 6) outside the housing 106 to an opposed sideways-directed position 150
15 covered by the housing 106, through a forwardly-directed position 152.

The apparatus 102 is provided with a handle 154 by means of which it can be propelled at least in a forwards direction
20 156. Wheels 158 and 160 are provided to enable or assist manual propulsion of the apparatus across the surface 104 to be swept, such as a floor, stairway or upholstery. The handle 154 could be longer, or be of a different shape or form, as required.

25 The rotating auxiliary brush means 134 does not rely on contact with the surface 104 for its rotation and therefore provides more efficient sweeping of edge regions of the surface 104 regardless of the nature of the surface 104.
30 Furthermore, the direction of rotation 146 of the auxiliary brush means 134 ensures that debris is swept positively by the auxiliary brush arrangement 134 into a position ahead of the rotating elongate rotating brush assembly 116, ready to be picked up by the elongate brush arrangement 116.

35

- 15 -

If desired, instead of or in addition to the auxiliary brush means 134 provided extending outwardly from the right hand side of the housing 106, a similar auxiliary brush means (not shown) could likewise be provided extending
5 outwardly from the left hand side of the housing 106 and driven from the opposite end of the elongate brush arrangement 116. Such additional or alternative auxiliary brush means differs from the auxiliary brush means 134 only in that it is caused to rotate in a clockwise, rather than
10 anti-clockwise, direction as viewed from above and behind the apparatus 102.

Instead of the apparatus 102 being provided with a battery or mains powered electric motor 110 to drive the elongate
15 brush arrangement 116 and hence the auxiliary brush means 134, a known form of friction drive means (not shown), resulting from propulsion of the apparatus 102 along the surface 104, may be utilised to effect rotation of the elongate brush arrangement 116 and hence rotation of the
20 auxiliary brush means 134.

An alternative embodiment of apparatus according to the present invention is shown in Figure 7. Such alternative embodiment comprises an upright vacuum cleaner apparatus
25 102A, having a housing 106A with wheels 158A and 160A, a rotating elongate brush arrangement 116A and an auxiliary brush means 134A. The apparatus 102A is constructed in substantially similar manner to the apparatus 102 of Figures 4, 5 and 6, with the main exception that instead of
30 the debris-collecting compartment 124 of Figure 5, a debris-collecting container 124A, which may include a bag, is provided between a handle 154A and the housing 106A and connected by a well-known form of suction arrangement (not shown) to the housing 106A.

35

- 16 -

A further embodiment of apparatus 102B according to the present invention is shown in Figure 8. Here the housing 106B incorporates components similar to those of the housing 106 of Figures 4, 5 and 6 including wheels 158B and, in particular, an elongate rotating brush arrangement 116B with an auxiliary rotating brush means 134B driven therefrom. However, no debris-collecting compartment is provided inside the housing 106B. Instead, the housing 106B is provided with a tubular portion 162 which is demountable on, or may be fixed to, a debris-receiving flexible hose 164 connected to a well-known form of suction vacuum cleaner 166, which may be of cylinder form, mounted on wheels 168. Electrical wiring 170 can be incorporated in the hose 164 by means of which mains electrical power can be supplied from the vacuum cleaner 166, and through a connector 172 and wiring 174 in the tubular portion 162, to an electric motor 110B where provided in the housing 106B for driving the elongate rotating brush arrangement 116B and the auxiliary brush means 134B. Of course, such wiring 170 would be unnecessary where the elongate brush arrangement 116B and the auxiliary brush means 134B driven therefrom, is caused to be rotated by the friction means previously described. Alternatively, the elongate brush arrangement 116B and the auxiliary brush means 134B may be caused to be rotated by means of a (rechargeable) battery or an air turbine driven by air passing along the tubular portion 162. The housing 106B with its included components could be provided as an accessory for existing vacuum cleaners of cylinder form.

-17-

1. A surface cleaning apparatus comprising:

a body;

an elongate rotatable brush arrangement extending transversely within the body and

5 having bristles which protrude through an opening provided in a base of the body;

a compartment for collecting debris positioned within the body adjacent to the
elongate rotatable brush arrangement, the debris-collecting compartment being
adapted to receive debris swept up by rotation of the brush arrangement; and

10

a movable front portion provided on the body adjacent to the brush arrangement and
adapted to increase exposure of the bristles of the brush arrangement so as to
increase contact between the bristles and a surface to be cleaned.

15 2. An apparatus as claimed in claim 1, wherein the front portion is removable
from the body.

3. An apparatus as claimed in claim 1, wherein the front portion is pivotable
relative to the body;

20

4. An apparatus as claimed in claim 1, wherein the front portion is slidable
relative to the body.

25 5. An apparatus as claimed in any one of claims 1 to 4, wherein the rotatable
brush arrangement extends substantially an entire width of the body.

6. An apparatus as claimed in any one of claims 1 to 5 wherein the debris-
collecting compartment is provided with a removable closure for the removal of
debris therefrom.

30

7. An apparatus as claimed in claim 6, wherein the removable closure
comprises a removable side wall.

-18-

8. An apparatus as claimed in claim 6, wherein the removable closure comprises a removable tray.

5 9. An apparatus as claimed in any one of claims 1 to 8 wherein the elongate rotatable brush is positioned within and extending across a compartment provided in the body and located forward of the debris-collecting compartment.

10 10. An apparatus as claimed in claim 9, including a forward compartment, and a wall between the debris-collecting compartment and the forward compartment, the wall extending from a base of the debris-collecting compartment and terminating short of a top thereof.

15 11. An apparatus as claimed in claim 10, wherein the top of the wall is at a height substantially the same as a top of the brush arrangement.

12. An apparatus as claimed in claim 10 or 11, wherein the wall is inclined rearwardly.

20 13. An apparatus as claimed in claim 12, wherein the wall has an angle of inclination in the range of 15 to 20 degrees.

25 14. An apparatus as claimed in any one of claims 1 to 13 wherein the body comprises a further compartment located rearwardly of the debris-collecting compartment, an electric motor being positioned in the rear compartment, and drive means extending between the brush arrangement and the electric motor.

15. An apparatus as claimed in claim 14, wherein a battery is positioned in the rear compartment together with the electric motor.

30

16. An apparatus as claimed in claim 14 or 15, wherein the drive means passes at least partly through the debris-collecting compartment.

-19-

17. An apparatus as claimed in claim 16, wherein the drive means passes through a tunnel which passes at least partly through the debris-collecting compartment.

5 18. An apparatus as claimed in claim 16 or 17, wherein the drive means is positioned adjacent a side of the debris-collecting compartment.

19. An apparatus as claimed in any one of claims 14 to 18, wherein the drive means comprises a belt drive.

10

20. An apparatus as claimed in claim 19, wherein the drive means comprises a toothed belt.

21. An apparatus as claimed in any one of claims 14 to 20, wherein a wall is provided between the rear compartment and the debris-collecting compartment to seal the rear compartment from the debris-collecting compartment.

15

22. An apparatus as claimed in any one of claims 1 to 21 wherein the apparatus incorporates handle means.

20

23. An apparatus as claimed in claim 22, wherein the handle means has a length which can be varied.

24. An apparatus as claimed in claim 22, wherein the handle means is interchangeable.

25

25. An apparatus as claimed in claim 22, wherein a further handle serves to extend the first-mentioned handle means.

30 26. An apparatus as claimed in any one of claims 1 to 25 wherein the body is provided with ground-engaging wheels.

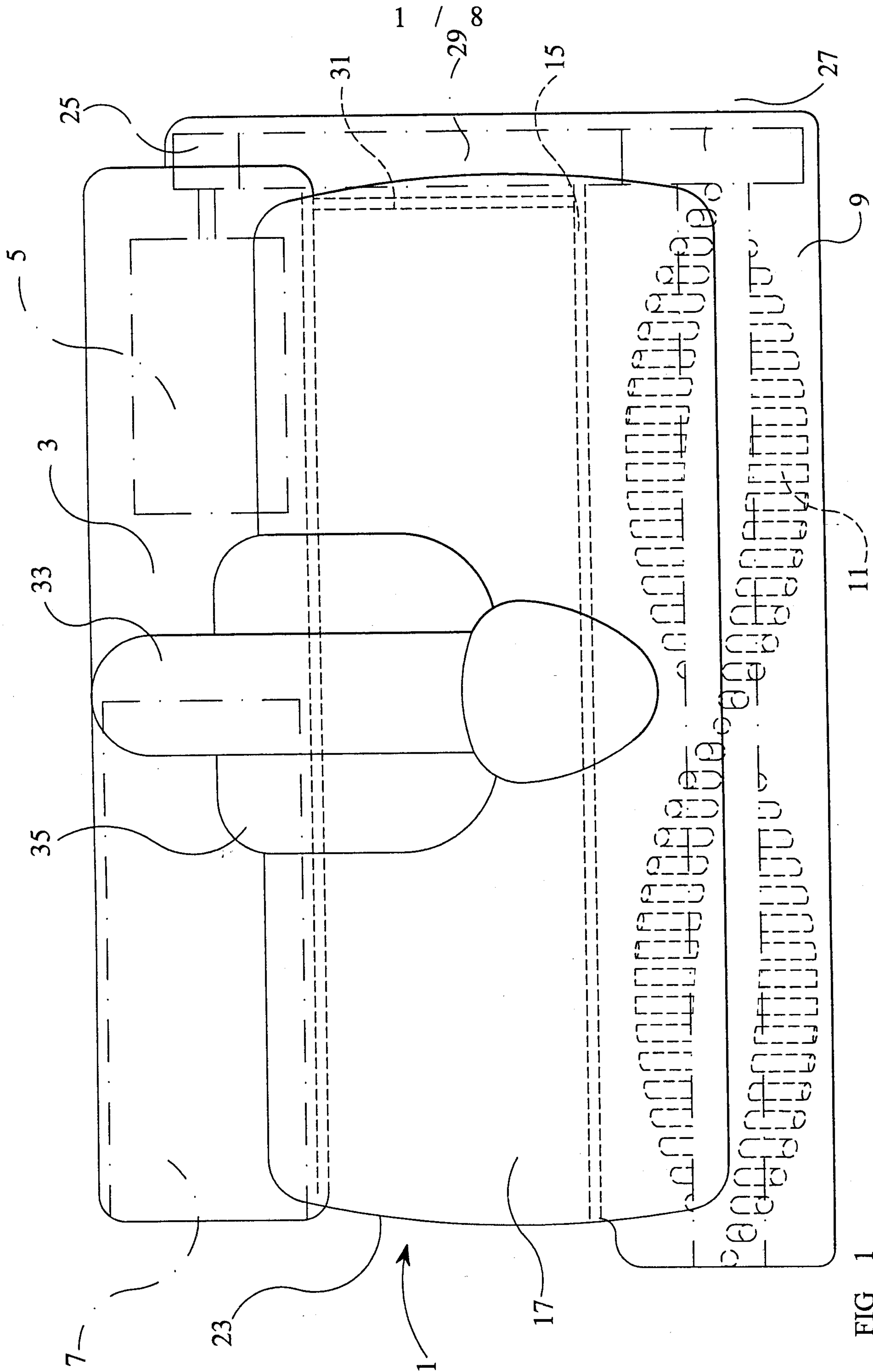


FIG 1

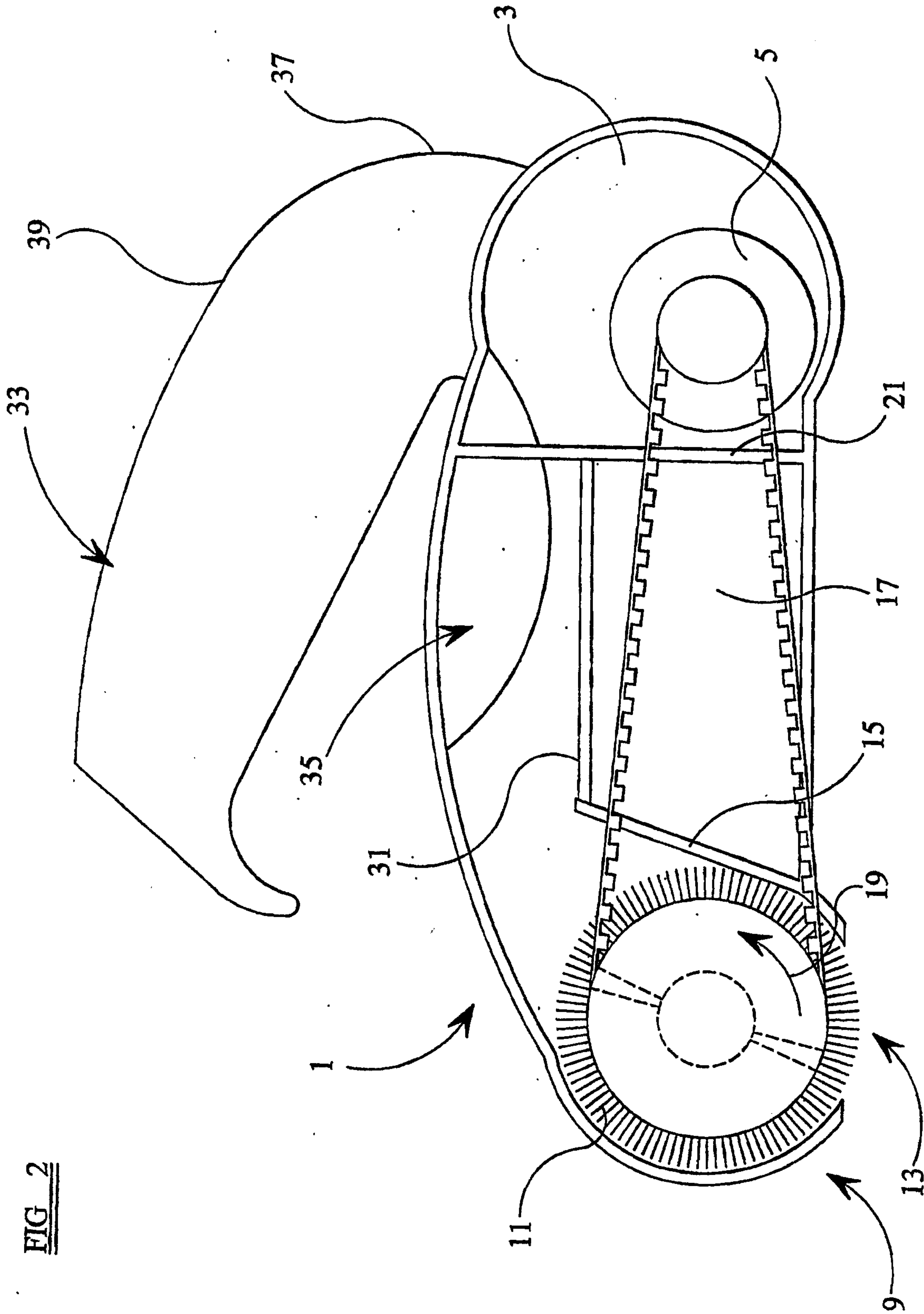
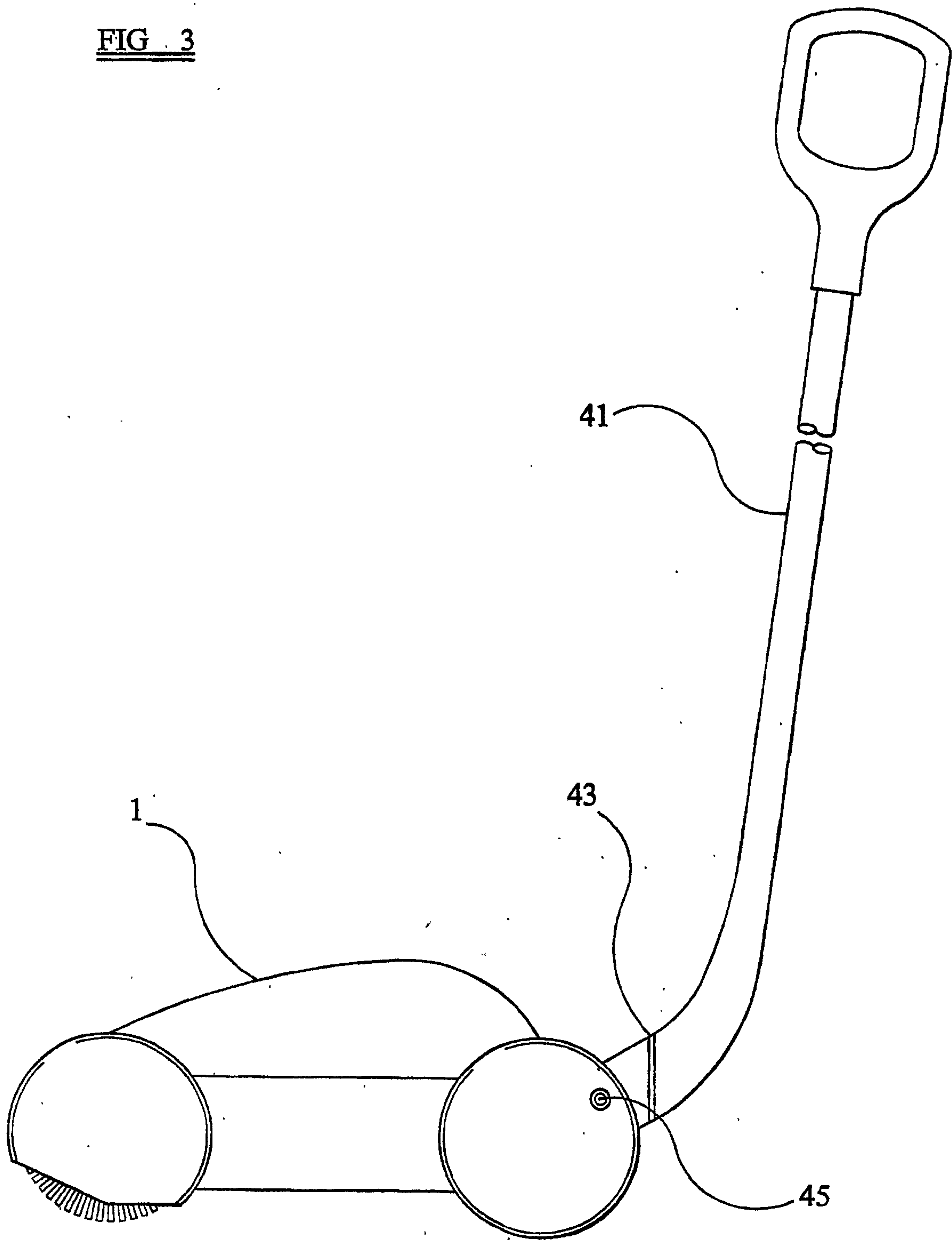


FIG 2

FIG 3



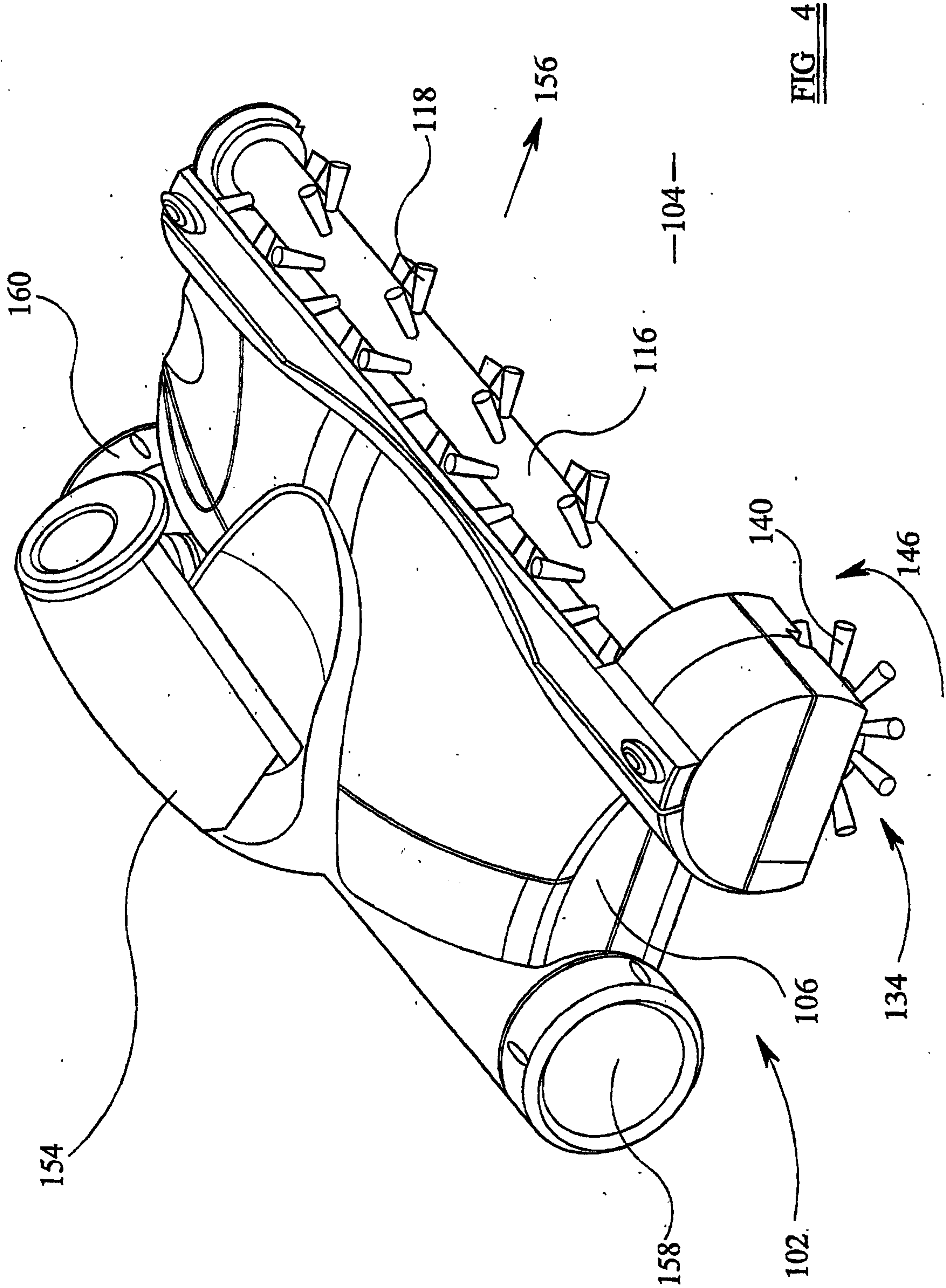


FIG 4

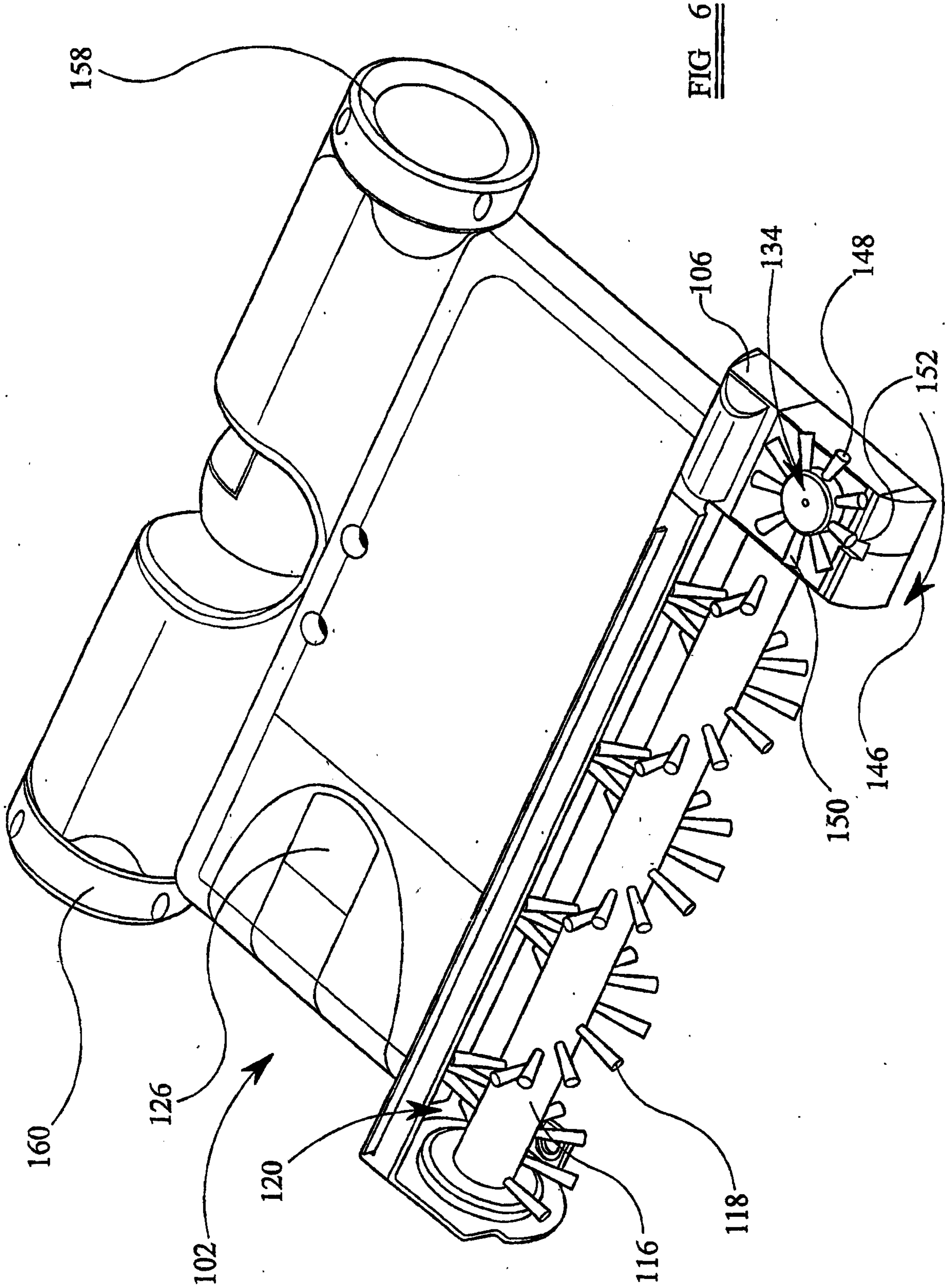


FIG 7

