

(19) World Intellectual Property Organization
International Bureau



(43) International Publication Date
2 August 2007 (02.08.2007)

PCT

(10) International Publication Number
WO 2007/085975 A3

(51) International Patent Classification:
H04R 3/14 (2006.01)

(21) International Application Number:
PCT/IB2007/050097

(22) International Filing Date: 12 January 2007 (12.01.2007)

(25) Filing Language: English

(26) Publication Language: English

(30) Priority Data:
06100926.2 27 January 2006 (27.01.2006) EP

(71) Applicant (for all designated States except US): **KONINKLIJKE PHILIPS ELECTRONICS N.V.** [NL/NL];
Groenewoudseweg 1, NL-5621 BA Eindhoven (NL).

(72) Inventor; and

(75) Inventor/Applicant (for US only): **AARTS, Ronaldus, M.** [NL/NL]; c/o Prof. Holstlaan 6, NL-5656 AA Eindhoven (NL).

(74) Agents: **GROENENDAAL, Antonius, W., M.** et al.;
Prof. Holstlaan 6, NL-5656 AA Eindhoven (NL).

(81) Designated States (unless otherwise indicated, for every kind of national protection available): AE, AG, AL, AM, AT, AU, AZ, BA, BB, BG, BR, BW, BY, BZ, CA, CH, CN,

CO, CR, CU, CZ, DE, DK, DM, DZ, EC, EE, EG, ES, FI, GB, GD, GE, GH, GM, GT, HN, HR, HU, ID, IL, IN, IS, JP, KE, KG, KM, KN, KP, KR, KZ, LA, LC, LK, LR, LS, LT, LU, LV, LY, MA, MD, MG, MK, MN, MW, MX, MY, MZ, NA, NG, NI, NO, NZ, OM, PG, PH, PL, PT, RO, RS, RU, SC, SD, SE, SG, SK, SL, SM, SV, SY, TJ, TM, TN, TR, TT, TZ, UA, UG, US, UZ, VC, VN, ZA, ZM, ZW.

(84) Designated States (unless otherwise indicated, for every kind of regional protection available): ARIPO (BW, GH, GM, KE, LS, MW, MZ, NA, SD, SL, SZ, TZ, UG, ZM, ZW), Eurasian (AM, AZ, BY, KG, KZ, MD, RU, TJ, TM), European (AT, BE, BG, CH, CY, CZ, DE, DK, EE, ES, FI, FR, GB, GR, HU, IE, IS, IT, LT, LU, LV, MC, NL, PL, PT, RO, SE, SI, SK, TR), OAPI (BF, BJ, CF, CG, CI, CM, GA, GN, GQ, GW, ML, MR, NE, SN, TD, TG).

Declaration under Rule 4.17:

— as to applicant's entitlement to apply for and be granted a patent (Rule 4.17(ii))

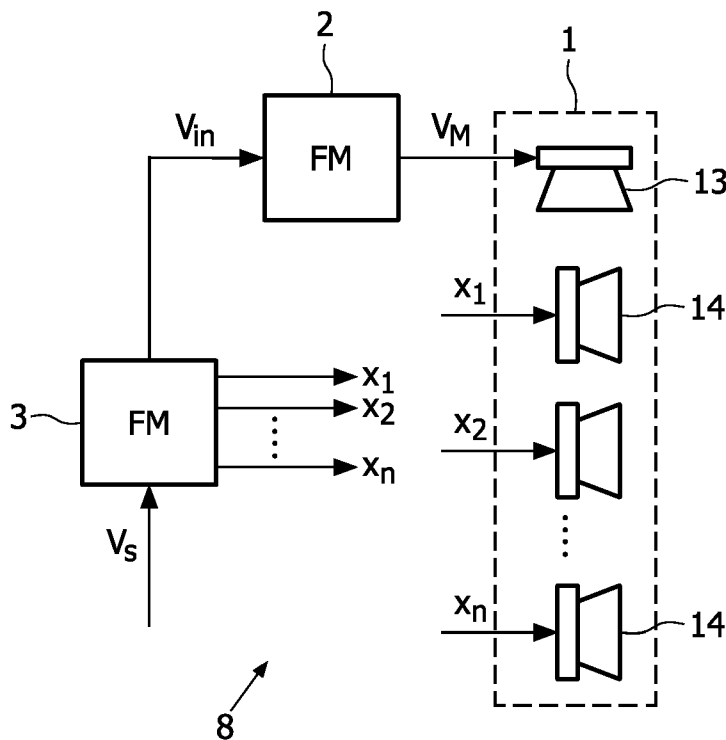
Published:

— with international search report

(88) Date of publication of the international search report:
1 November 2007

For two-letter codes and other abbreviations, refer to the "Guidance Notes on Codes and Abbreviations" appearing at the beginning of each regular issue of the PCT Gazette.

(54) Title: SOUND REPRODUCTION



(57) Abstract: A sound system (8) comprises a transducer unit (1) and a frequency mapping device (2). The transducer unit comprises an array of transducers (14). The frequency mapping device is arranged for mapping a frequency range of an audio input signal (V_{in}) onto a frequency at which the transducer unit has a maximum efficiency, such as a resonance frequency or the Helmholtz frequency of the transducer unit. The transducer unit (1) may comprise a dedicated transducer (13) is coupled to the frequency mapping device (2) for producing the Helmholtz frequency of the transducer unit (1). The sound system may additionally comprise a sound processing device (3) arranged for steering sound produced by the array of transducers (14).

WO 2007/085975 A3

INTERNATIONAL SEARCH REPORT

International application No
PCT/IB2007/050097

A. CLASSIFICATION OF SUBJECT MATTER INV. H04R3/14		
According to International Patent Classification (IPC) or to both national classification and IPC		
B. FIELDS SEARCHED		
Minimum documentation searched (classification system followed by classification symbols) H04R		
Documentation searched other than minimum documentation to the extent that such documents are included in the fields searched		
Electronic data base consulted during the international search (name of data base and, where practical, search terms used) EPO-Internal		
C. DOCUMENTS CONSIDERED TO BE RELEVANT		
Category*	Citation of document, with indication, where appropriate, of the relevant passages	Relevant to claim No.
X	WO 2005/027568 A (KONINKL PHILIPS ELECTRONICS NV [NL]; AARTS RONALDUS M [NL]; OUWELTJES) 24 March 2005 (2005-03-24) figures 1-6 page 4, line 24 - page 5, line 10	1-15
X	WO 2005/027569 A (KONINKL PHILIPS ELECTRONICS NV [NL]; AARTS RONALDUS MARIA [NL]) 24 March 2005 (2005-03-24) cited in the application figures 1-6 page 1, line 6 - line 22 page 2, line 9 - line 22 page 6, line 1 - line 32 page 11, line 11 - line 32 ----- -/--	1-15
<input checked="" type="checkbox"/> Further documents are listed in the continuation of Box C. <input checked="" type="checkbox"/> See patent family annex.		
* Special categories of cited documents : *A* document defining the general state of the art which is not considered to be of particular relevance *E* earlier document but published on or after the international filing date *L* document which may throw doubts on priority claim(s) or which is cited to establish the publication date of another citation or other special reason (as specified) *O* document referring to an oral disclosure, use, exhibition or other means *P* document published prior to the international filing date but later than the priority date claimed *T* later document published after the international filing date or priority date and not in conflict with the application but cited to understand the principle or theory underlying the invention *X* document of particular relevance; the claimed invention cannot be considered novel or cannot be considered to involve an inventive step when the document is taken alone *Y* document of particular relevance; the claimed invention cannot be considered to involve an inventive step when the document is combined with one or more other such documents, such combination being obvious to a person skilled in the art. *&* document member of the same patent family		
Date of the actual completion of the international search 12 July 2007		Date of mailing of the international search report 19/07/2007
Name and mailing address of the ISA European Patent Office, P.B. 5818 Patentlaan 2 NL - 2280 HV Rijswijk Tel. (+31-70) 340-2040, Tx. 31 651 epo nl, Fax: (+31-70) 340-3016		Authorized officer Moscu, Viorel

INTERNATIONAL SEARCH REPORT

International application No

PCT/IB2007/050097

C(Continuation). DOCUMENTS CONSIDERED TO BE RELEVANT

Category*	Citation of document, with indication, where appropriate, of the relevant passages	Relevant to claim No.
A	WO 2004/075601 A (1 LTD [GB]; HOOLEY ANTHONY [GB]; LENEL URSULA RUTH [GB]; GOUDIE ANGUS) 2 September 2004 (2004-09-02) the whole document -----	1-15
A	US 6 665 413 B1 (DOMEN JOHN K [US]) 16 December 2003 (2003-12-16) the whole document -----	2,3,12, 13
A	US 5 781 642 A (TANAKA SHOJI [JP] ET AL) 14 July 1998 (1998-07-14) figure 12 column 1, line 3 - line 24 column 1, line 50 - line 65 -----	2,3,12, 13

INTERNATIONAL SEARCH REPORT

Information on patent family members

International application No

PCT/IB2007/050097

Patent document cited in search report	Publication date	Patent family member(s)	Publication date	
WO 2005027568 A	24-03-2005	CN 1853442 A	25-10-2006	
		CN 1853443 A	25-10-2006	
		KR 20060073628 A	28-06-2006	
		US 2007098182 A1	03-05-2007	
WO 2005027569 A	24-03-2005	JP 2007506345 T	15-03-2007	
		US 2007030983 A1	08-02-2007	
WO 2004075601 A	02-09-2004	CN 1754403 A	29-03-2006	
		EP 1600035 A1	30-11-2005	
		JP 2006518956 T	17-08-2006	
		KR 20050101571 A	24-10-2005	
		US 2006204022 A1	14-09-2006	
US 6665413	B1	16-12-2003	NONE	
US 5781642	A	14-07-1998	CN 1169092 A	31-12-1997
			ID 16679 A	30-10-1997
			JP 3223793 B2	29-10-2001
			JP 9289697 A	04-11-1997