



US00D749580S

(12) **United States Design Patent**
Kim et al.

(10) **Patent No.:** **US D749,580 S**

(45) **Date of Patent:** **** Feb. 16, 2016**

(54) **HEAD-MOUNTED DISPLAY DEVICE**

(71) Applicant: **Samsung Electronics Co., Ltd.**,
Suwon-si (KR)

(72) Inventors: **Minsoo Kim**, Seoul (KR); **Yongseok Bang**, Yongin-si (KR); **Jinsoo Kim**,
Yongin-si (KR)

(73) Assignee: **SAMSUNG ELECTRONICS CO., LTD.**, Suwon-Si (KR)

(**) Term: **15 Years**

(21) Appl. No.: **29/527,549**

(22) Filed: **May 20, 2015**

Related U.S. Application Data

(63) Continuation of application No. 29/511,254, filed on
Dec. 9, 2014, now Pat. No. Des. 732,028.

(30) **Foreign Application Priority Data**

Aug. 25, 2014 (KR) 30-2014-0041204

(51) **LOC (10) Cl.** **14-02**

(52) **U.S. Cl.**
USPC **D14/372**

(58) **Field of Classification Search**

USPC D14/372, 496, 432, 371, 125, 126, 129,
D14/299; D16/300-342; 351/158, 153, 144;
345/7-9, 905; 455/344; 348/115, 53,
348/121, 739
CPC G02B 27/017; G02B 27/0158; G02B
27/0161; G02B 27/181; G02B 27/0185;
G02B 27/0189

See application file for complete search history.

(56) **References Cited**

U.S. PATENT DOCUMENTS

D338,514 S	8/1993	Holmes	
D363,482 S	10/1995	Robinson et al.	
D369,595 S	5/1996	Kober et al.	
D370,909 S	6/1996	Oikawa et al.	
D374,002 S	9/1996	Bassett et al.	
D375,495 S	11/1996	MacInness et al.	
D380,032 S	6/1997	Kobayashi et al.	
D394,649 S	5/1998	Pombo	
5,880,773 A	3/1999	Suzuki	
6,050,717 A	4/2000	Kosugi et al.	
D427,982 S	7/2000	Ishil	
D440,967 S	4/2001	Jung	
D444,155 S	6/2001	Morooka et al.	
D505,969 S *	6/2005	Yeung	D16/309
D513,032 S	12/2005	Diamantidis	
7,124,425 B1	10/2006	Anderson et al.	
D645,862 S	9/2011	Paul	
D687,434 S	8/2013	Serota	
D695,738 S	12/2013	Kumagai et al.	
D695,739 S	12/2013	Kumagai et al.	

(Continued)

Primary Examiner — Austin Murphy

(74) *Attorney, Agent, or Firm* — McAndrews Held & Malloy, Ltd.

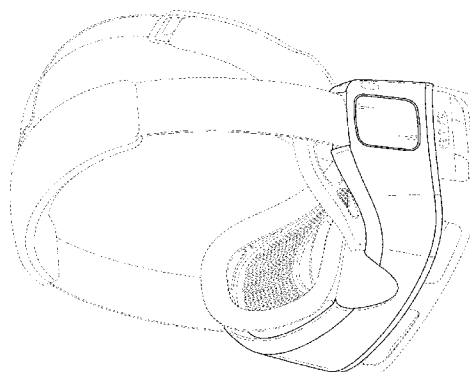
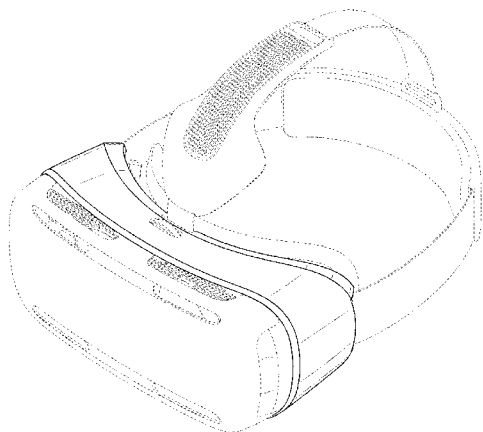
(57) **CLAIM**

The ornamental design for a head-mounted display device, as shown and described.

DESCRIPTION

FIG. 1 is a top right front perspective view of a head-mounted display device showing our new design; FIG. 2 is a bottom left rear perspective view thereof; FIG. 3 is a front elevation view thereof; FIG. 4 is a rear elevation view thereof; FIG. 5 is a left side elevation view thereof; FIG. 6 is a right side elevation view thereof; FIG. 7 is a top plan view thereof; and, FIG. 8 is a bottom plan view thereof. The dashed broken lines represent unclaimed portions of the head-mounted display device and form no part of the claimed design.

1 Claim, 8 Drawing Sheets



(56)

References Cited

U.S. PATENT DOCUMENTS

D701,206 S 3/2014 Luckey et al.
D702,234 S 4/2014 Pombo et al.
D704,706 S 5/2014 Serota

D709,880 S 7/2014 Kim et al.
D719,953 S 12/2014 Nokuo et al.
D727,318 S * 4/2015 Garcia Marin D14/372
D732,028 S * 6/2015 Kim D14/372
D738,374 S * 9/2015 Luckey D14/372

* cited by examiner

FIG. 1

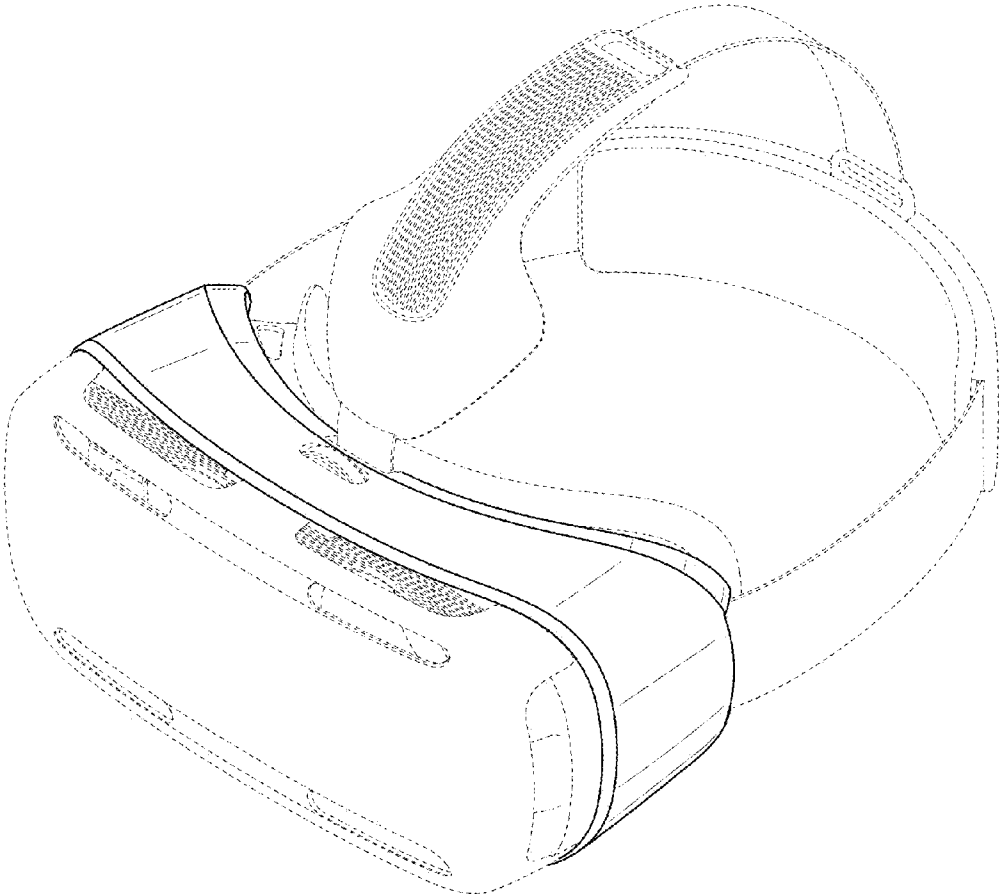


FIG. 2

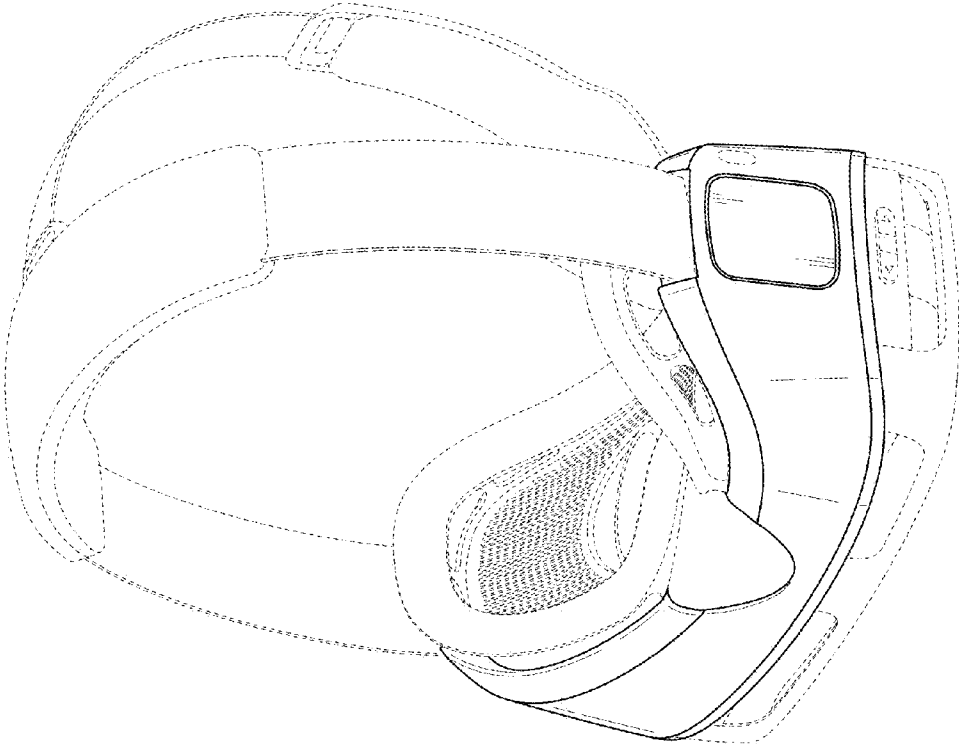


FIG. 3

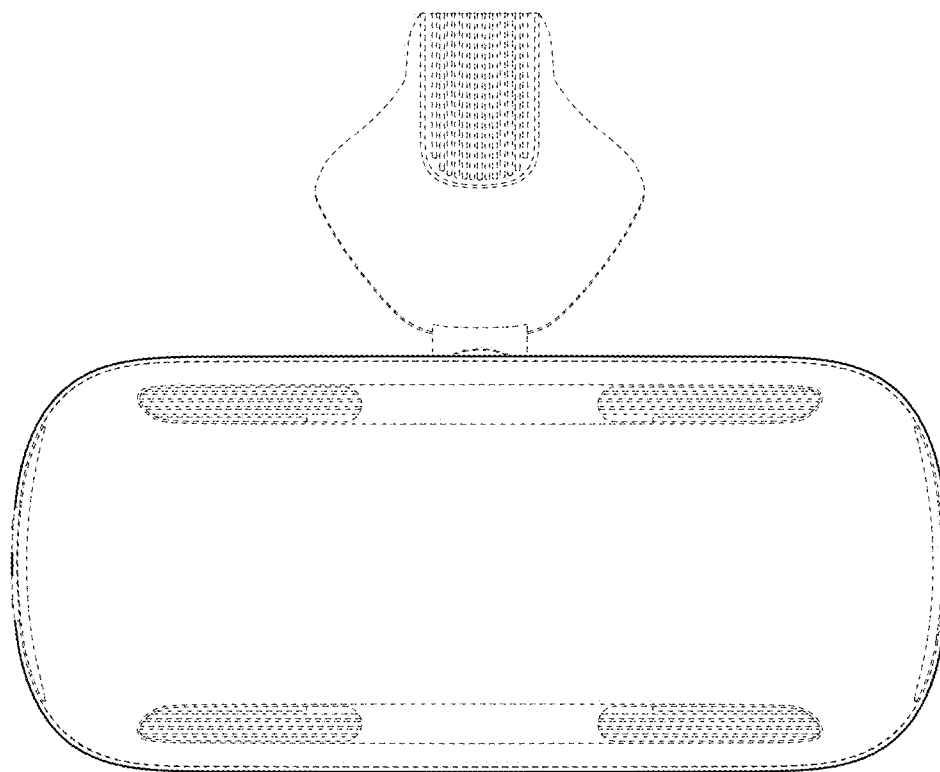


FIG. 4

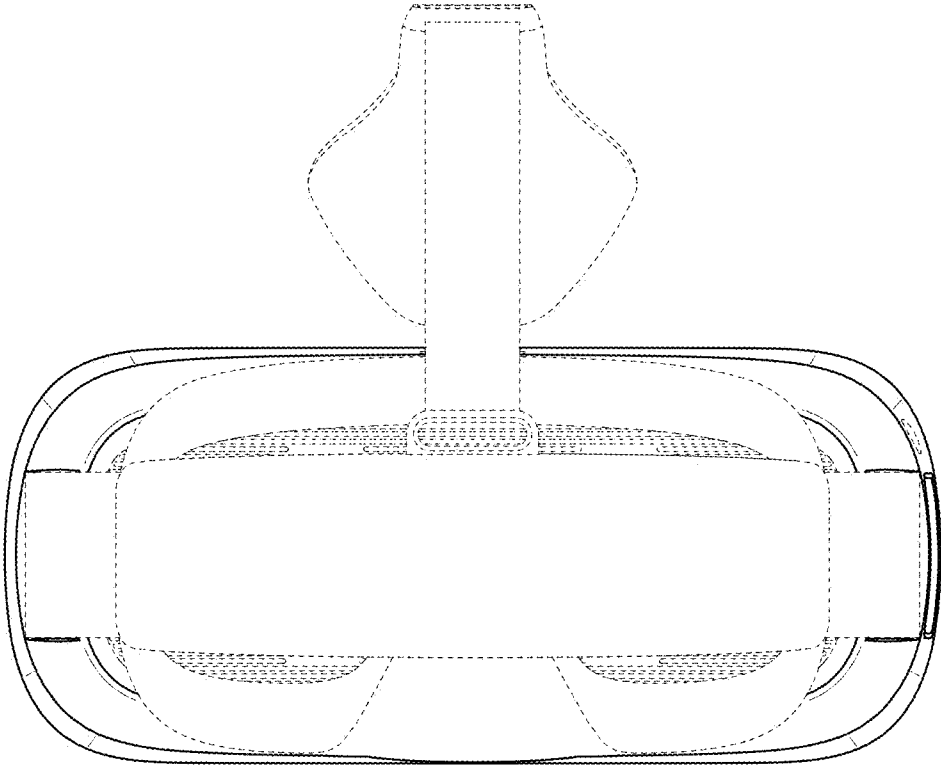


FIG. 5

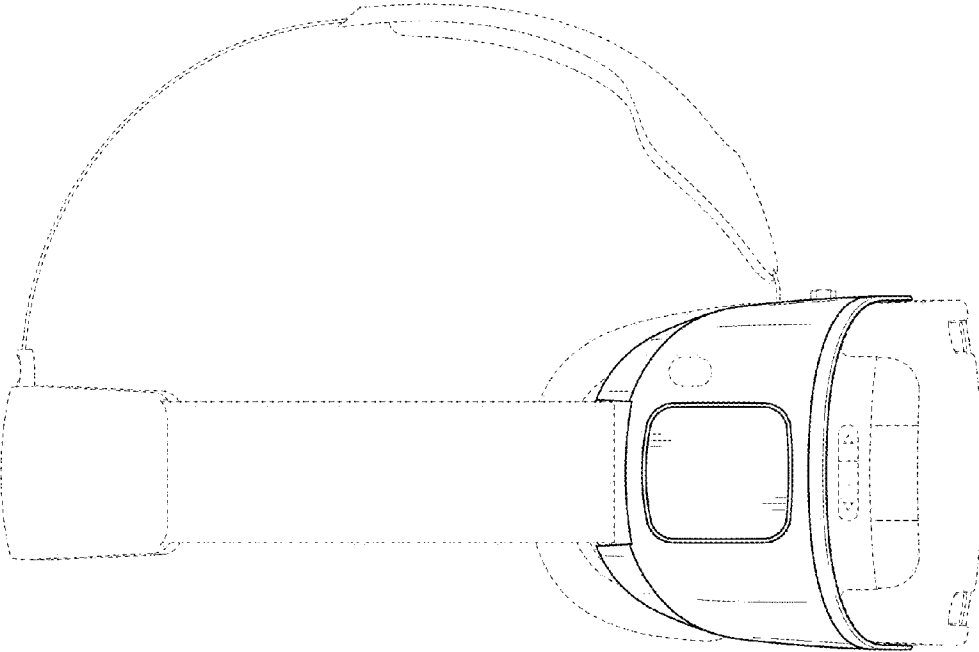


FIG. 6

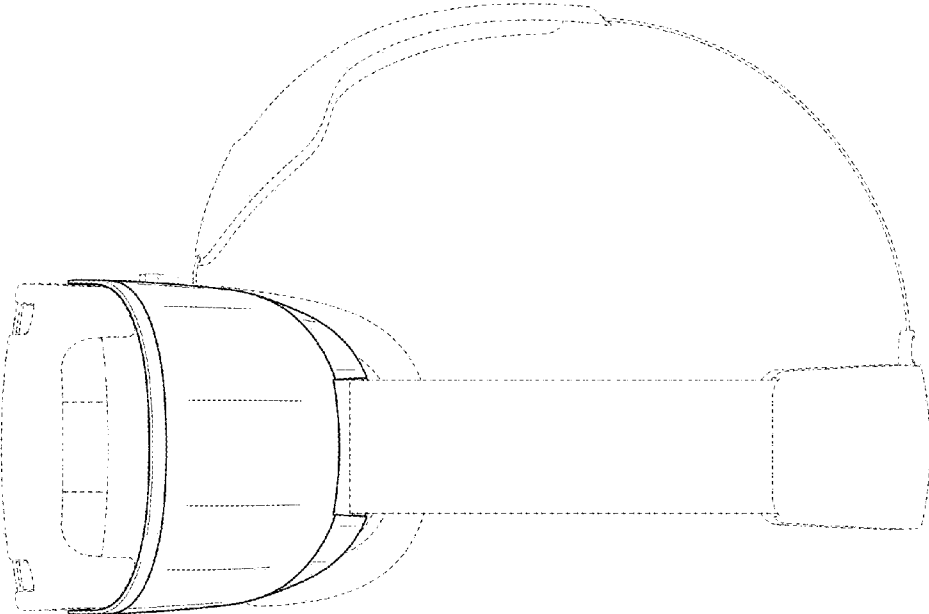


FIG. 7

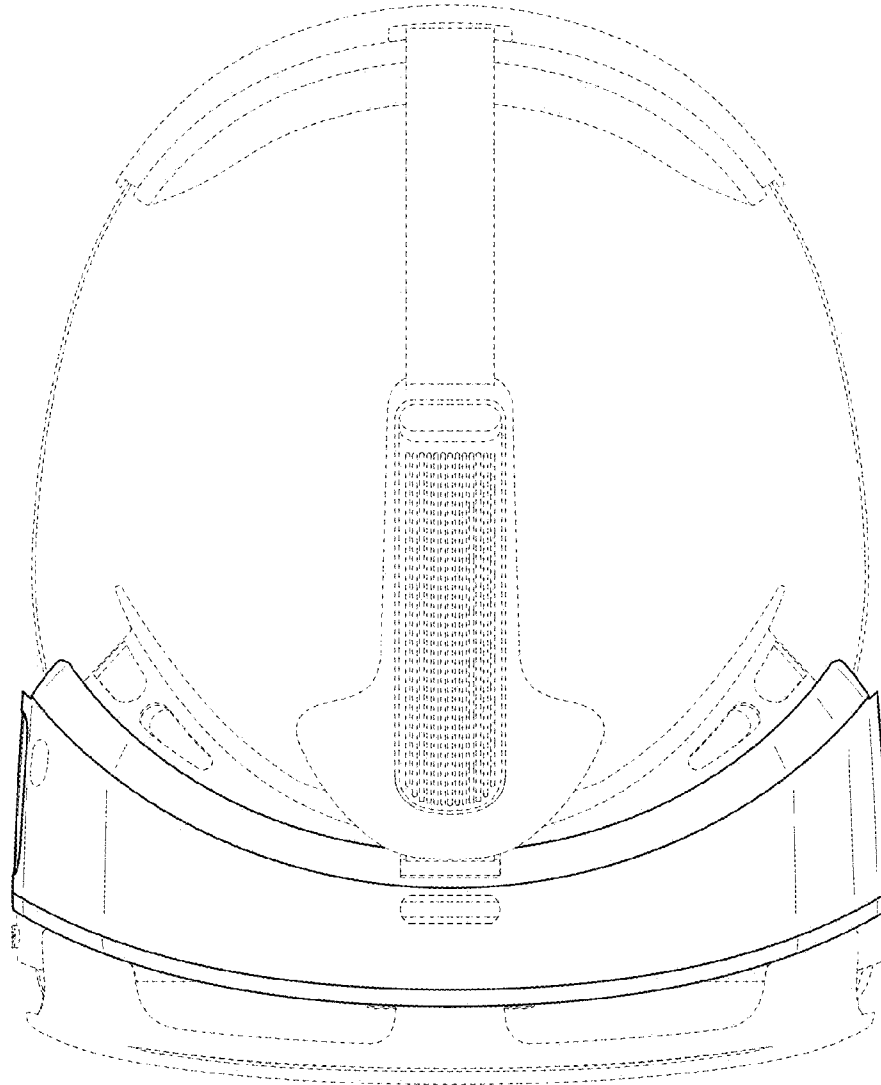


FIG. 8

