

(19) World Intellectual Property Organization  
International Bureau



(43) International Publication Date  
13 September 2007 (13.09.2007)

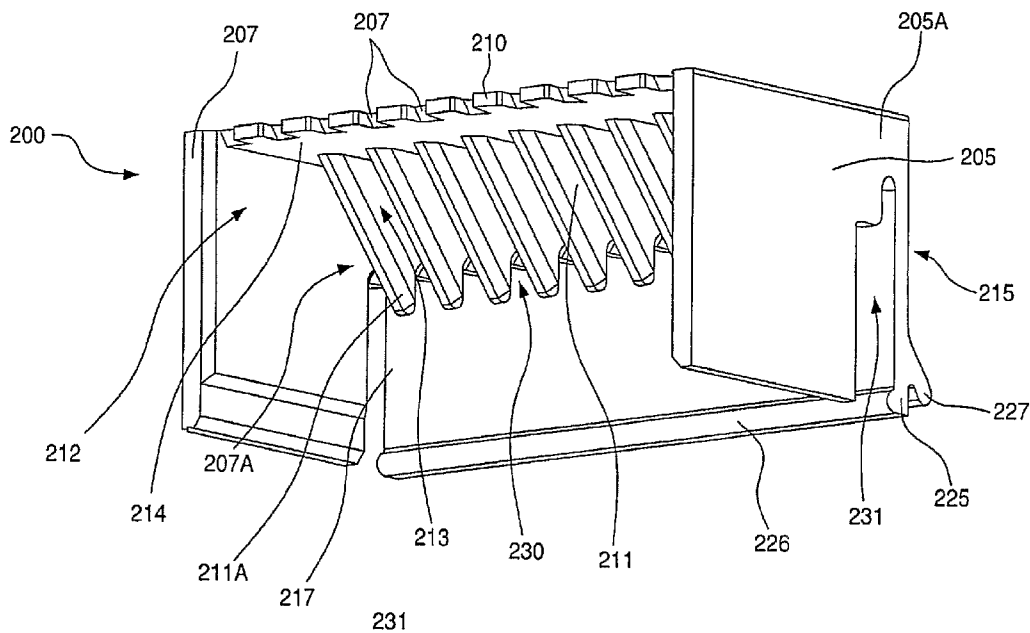
PCT

(10) International Publication Number  
**WO 2007/102931 A3**

- (51) **International Patent Classification:**  
*HOIR 13/648 (2006.01) HOIR 9/03 (2006.01)*
- (21) **International Application Number:**  
PCT/US2007/000179
- (22) **International Filing Date:** 8 January 2007 (08.01.2007)
- (25) **Filing Language:** English
- (26) **Publication Language:** English
- (30) **Priority Data:**  
11/348,784 7 February 2006 (07.02.2006) US
- (71) **Applicant (for BR, CA, MX only):** FCI AMERICAS TECHNOLOGY, INC. [US/US]; One East First Street, Reno, , Nevada 89501 (US).
- (71) **Applicant (for AE, AG, AL, AM, AT, AU, AZ, BA, BB, BE, BF, BG, BJ, BW, BY, BZ, CF, CG, CH, CI, CM, CN, CO, CR, CU, CY, CZ, DE, DK, DM, DZ, EC, EE, EG, ES, FI, FR, GA, GB, GD, GE, GH, GM, GN, GQ, GR, GW, HN, HR, HU, ID, IE, IL, IN, IS, IT, JP, KE, KG, KM, KN, KP, KR, KZ, LA, LC, LK, LR, LS, LT, LU, LV, LY, MA, MC, MD, MG, MK, ML, MN, MR, MW, MY, MZ, NA, NE, NG, NI, NL, NO, NZ, OM, PG, PH, PL, PT, RO, RS, RU only):** FCI [FR/FR]; 145/147 rue Yves Le Coz, F-78000 Versailles (FR).
- (72) **Inventor; and**
- (75) **Inventor/Applicant (for US only):** NGO, Hung [US/US]; 4415 St. Andrews Way, Harrisburg, Pennsylvania 17112 (US).
- (74) **Agents:** GEIBEL, Dean E. et al; FCI USA, INC., 825 Old Trail Road, Etters, Pennsylvania 17319 (US).
- (81) **Designated States (unless otherwise indicated, for every kind of national protection available):** AE, AG, AL, AM, AT, AU, AZ, BA, BB, BG, BR, BW, BY, BZ, CA, CH, CN, CO, CR, CU, CZ, DE, DK, DM, DZ, EC, EE, EG, ES, FI, GB, GD, GE, GH, GM, GT, HN, HR, HU, ID, IL, IN, IS, JP, KE, KG, KM, KN, KP, KR, KZ, LA, LC, LK, LR, LS, LT, LU, LV, LY, MA, MD, MG, MK, MN, MW, MX, MY, MZ, NA, NG, NI, NO, NZ, OM, PG, PH, PL, PT, RO, RS, RU, SC, SD, SE, SG, SK, SL, SM, SV, SY, TJ, TM, TN, TR, TT, TZ, UA, UG, US, UZ, VC, VN, ZA, ZM, ZW
- (84) **Designated States (unless otherwise indicated, for every kind of regional protection available):** ARIPO (BW, GH, GM, KE, LS, MW, MZ, NA, SD, SL, SZ, TZ, UG, ZM, ZW), Eurasian (AM, AZ, BY, KG, KZ, MD, RU, TJ, TM), European (AT, BE, BG, CH, CY, CZ, DE, DK, EE, ES, FI, FR, GB, GR, HU, IE, IS, IT, LT, LU, LV, MC, NL, PL, PT,

[Continued on next page]

(54) **Title:** COVERS FOR ELECTRICAL CONNECTORS



(57) **Abstract:** A cover (300) for an electrical connector (100) includes substrate mounting beams (331). When a force is applied to the top, the beams (331) transfer the force to the lead frame (110), pressing contacts of the connector to an electrical device such as a substrate. Flat rock application may be applied to the top of the cover to connect the connector to a substrate. The cover (300) may aid in retaining the lead frame assemblies in the connector. A cover (300) for an electrical connector may include a back extending from a top such that the back includes resiliency and is able to be flexed while the cover (300) is placed on a connector and flexed to remove the cover from the connector.

WO 2007/102931 A3



RO, SE, SI, SK, TR), OAPI (BF, BJ, CF, CG, CI, CM, GA,  
GN, GQ, GW, ML, MR, NE, SN, TD, TG).

— *before the expiration of the time limit for amending the  
claims and to be republished in the event of receipt of  
amendments*

**Published:**

— *with international search report*

**(88) Date of publication of the international search report:**

9 October 2008

# INTERNATIONAL SEARCH REPORT

International application No

PCT/US07/00179

**A CLASSIFICATION OF SUBJECT MATTER**  
 IPC HOIR 13/648( 2006 01),9/03( 2006 01)  
  
 USPC 439/610,609,608  
 According to International Patent Classification (IPC) or to both national classification and IPC


**B FIELDS SEARCHED**  
 Minimum documentation searched (classification system followed by classification symbols)  
 U S 439/610, 609, 608  
  
 Documentation searched other than minimum documentation to the extent that such documents are included in the fields searched  
  
 Electronic data base consulted during the international search (name of data base and, where practicable, search terms used)

**C DOCUMENTS CONSIDERED TO BE RELEVANT**

| Category * | Citation of document, with indication, where appropriate, of the relevant passages | Relevant to claim No |
|------------|--|----------------------|
| A          | US 6,514,103 B2 (PAPE et al) 04 February 2003 (04 02 2003), column 1-6             | 1-20                 |

Further documents are listed in the continuation of Box C      **D** See patent family annex

|   |  |
|---|--|
| * Special categories of cited documents   | "T" later document published after the international filing date or priority date and not in conflict with the application but cited to understand the principle or theory underlying the invention  |
| "A" document defining the general state of the art which is not considered to be of particular relevance  | "X" document of particular relevance, the claimed invention cannot be considered novel or cannot be considered to involve an inventive step when the document is taken alone   |
| "E" earlier application or patent published on or after the international filing date   | "Y" document of particular relevance, the claimed invention cannot be considered to involve an inventive step when the document is combined with one or more other such documents, such combination being obvious to a person skilled in the art |
| "L" document which may throw doubts on priority claim(s) or which is cited to establish the publication date of another citation or other special reason (as specified) | "&" document member of the same patent family  |
| "O" document referring to an oral disclosure, use, exhibition or other means  |  |
| "P" document published prior to the international filing date but later than the priority date claimed  |  |

|   |  |
|---|--|
| Date of the actual completion of the international search<br>07 July 2008 (07 07 2008)  | Date of mailing of the international search report<br><b>28 JUL 2008</b>   |
| Name and mailing address of the ISA/US<br>Mail Stop PCT, Attn ISA/US<br>Commissioner for Patents<br>P O Box 1450<br>Alexandria, Virginia 223 13-1450<br>Facsimile No (571) 273-3201 | Authorized officer<br>TC Patel <br>Telephone No 703-308-1782 |