



US00D990809S

(12) **United States Design Patent**
Bachman

(10) **Patent No.:** **US D990,809 S**

(45) **Date of Patent:** **** Jun. 27, 2023**

(54) **FOUR-WHEEL CART**

(71) Applicant: **Todd M. Bachman**, Harrisonville, MO (US)

(72) Inventor: **Todd M. Bachman**, Harrisonville, MO (US)

(**) Term: **15 Years**

(21) Appl. No.: **29/808,714**

(22) Filed: **Sep. 22, 2021**

(51) **LOC (14) Cl.** **12-02**

(52) **U.S. Cl.** **D34/12**
USPC

(58) **Field of Classification Search**
USPC D34/12, 14, 15, 17, 19, 20, 21
CPC B62B 3/002; B62B 3/004; B62B 3/007;
B62B 3/00; B62B 3/027; B62B 3/16;
B62B 3/1476; B62B 5/0083; B62B
5/0086; B62B 5/0089; B62B 5/0438

See application file for complete search history.

(56) **References Cited**

U.S. PATENT DOCUMENTS

1,828,248	A	10/1931	Hallowell et al.	
D249,032	S	8/1978	Tarran	
D273,522	S	4/1984	Zastera	
D289,578	S	4/1987	Ruffin	
D313,878	S *	1/1991	Rinkewich	D34/21
5,224,531	A	7/1993	Blohm	
5,863,052	A	1/1999	Roman	
6,364,328	B1	4/2002	Stahler, Sr.	
D462,495	S *	9/2002	Burford	D34/19
6,530,583	B1	3/2003	Mueller	

D491,709	S *	6/2004	Wise	D34/18
D608,969	S *	1/2010	Wise	D34/12
7,971,898	B2	7/2011	Wise	
9,616,909	B1 *	4/2017	Abul	B62B 3/02
D794,273	S *	8/2017	Abel	D34/12
10,723,375	B2	7/2020	Thibault	

FOREIGN PATENT DOCUMENTS

CA 132743 * 6/2010

* cited by examiner

Primary Examiner — Cynthia Ramirez

Assistant Examiner — Tamara L Hahn

(74) *Attorney, Agent, or Firm* — Suzanne Kikel

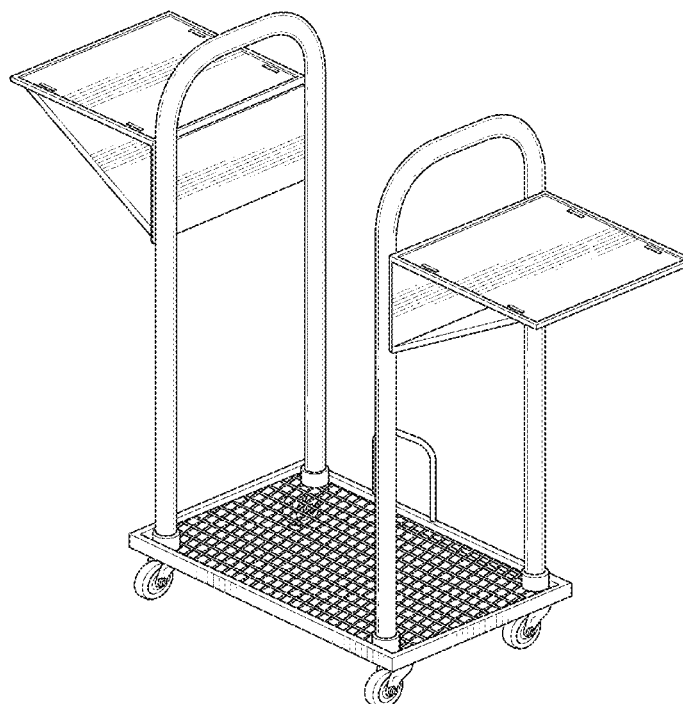
(57) **CLAIM**

The ornamental design for a four-wheel cart, as shown and described.

DESCRIPTION

FIG. 1 is a front, right side perspective view of a four-wheel cart, showing my new design;
FIG. 2 is a right side elevation view thereof;
FIG. 3 is a left side elevation view thereof;
FIG. 4 front elevation view thereof;
FIG. 5 is a rear elevation view thereof;
FIG. 6 is a top plan view thereof;
FIG. 7 is a bottom plan view thereof; and,
FIG. 8 is a front, right side perspective view of the four-wheel cart, with the swingable tray on the right side in a collapsed position.

1 Claim, 6 Drawing Sheets



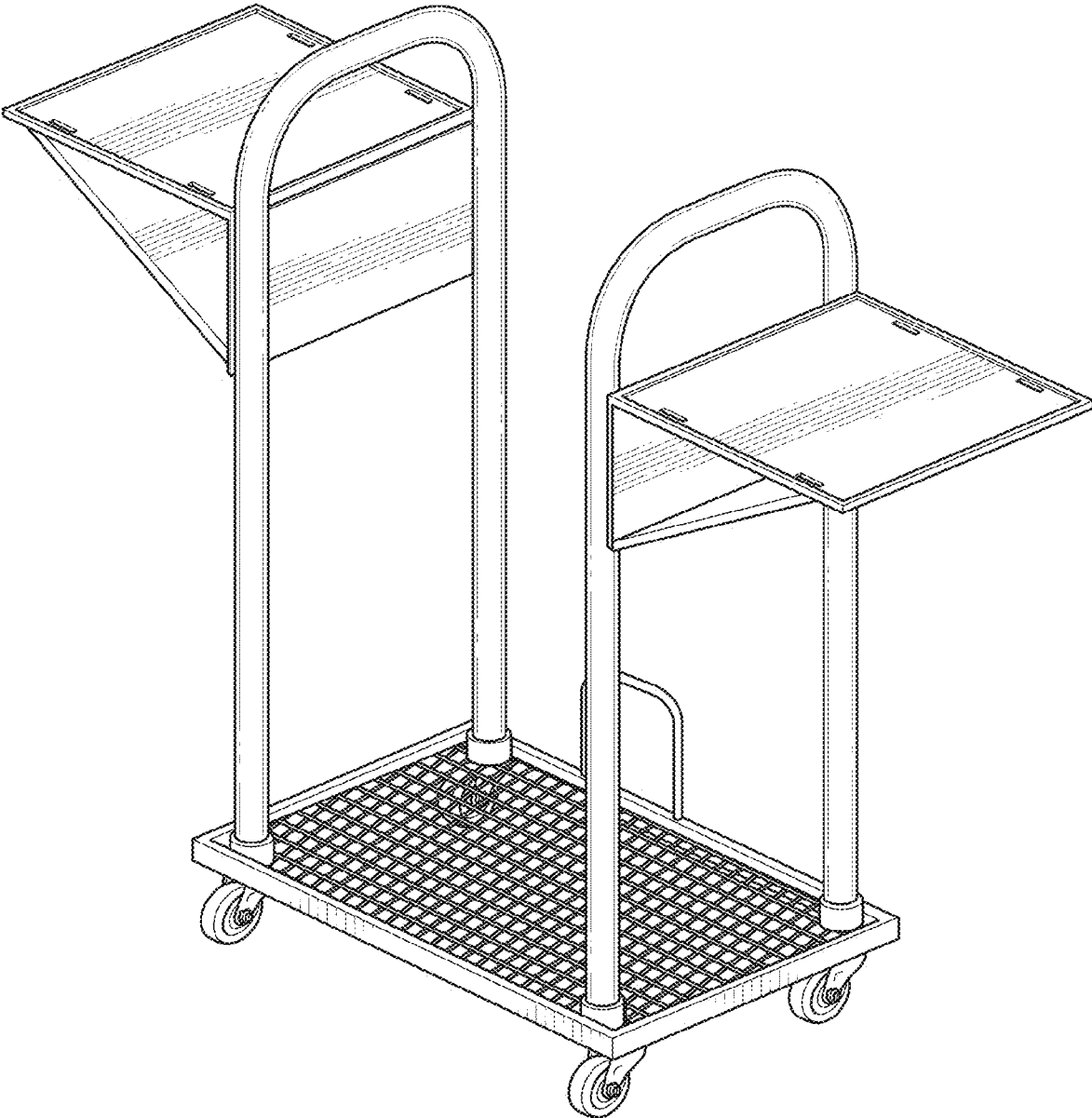


FIG. 1

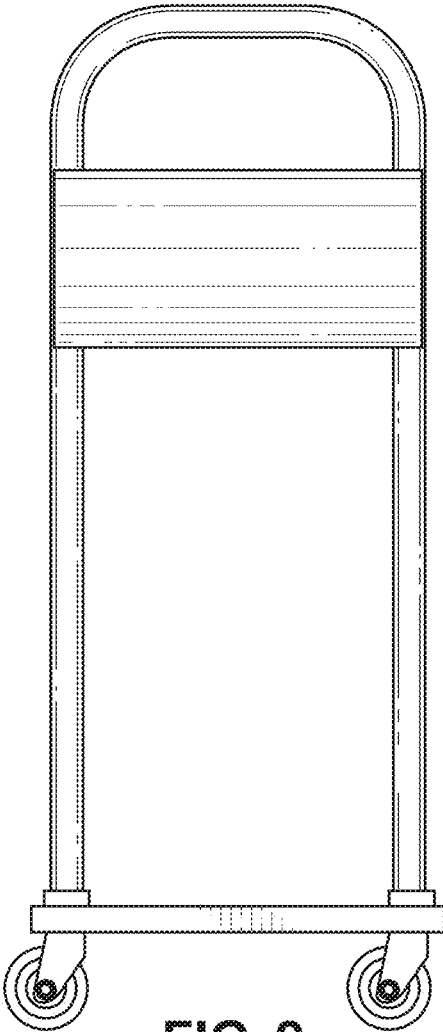


FIG. 2

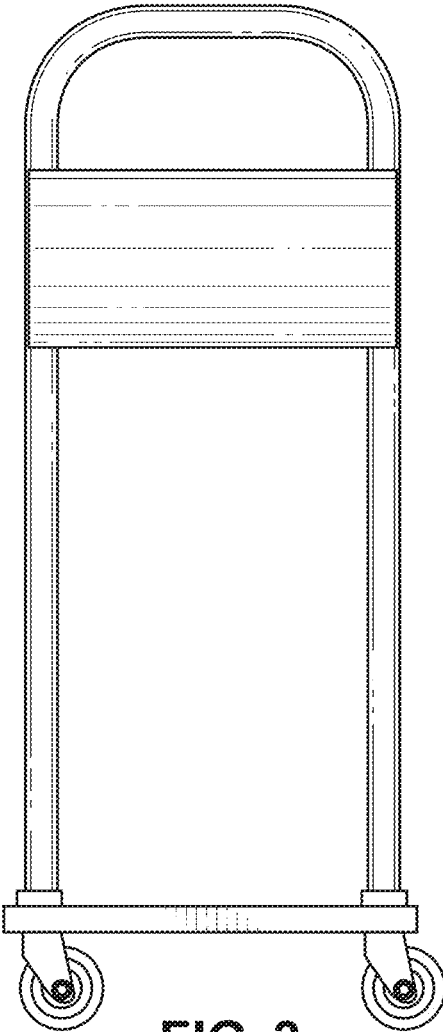


FIG. 3

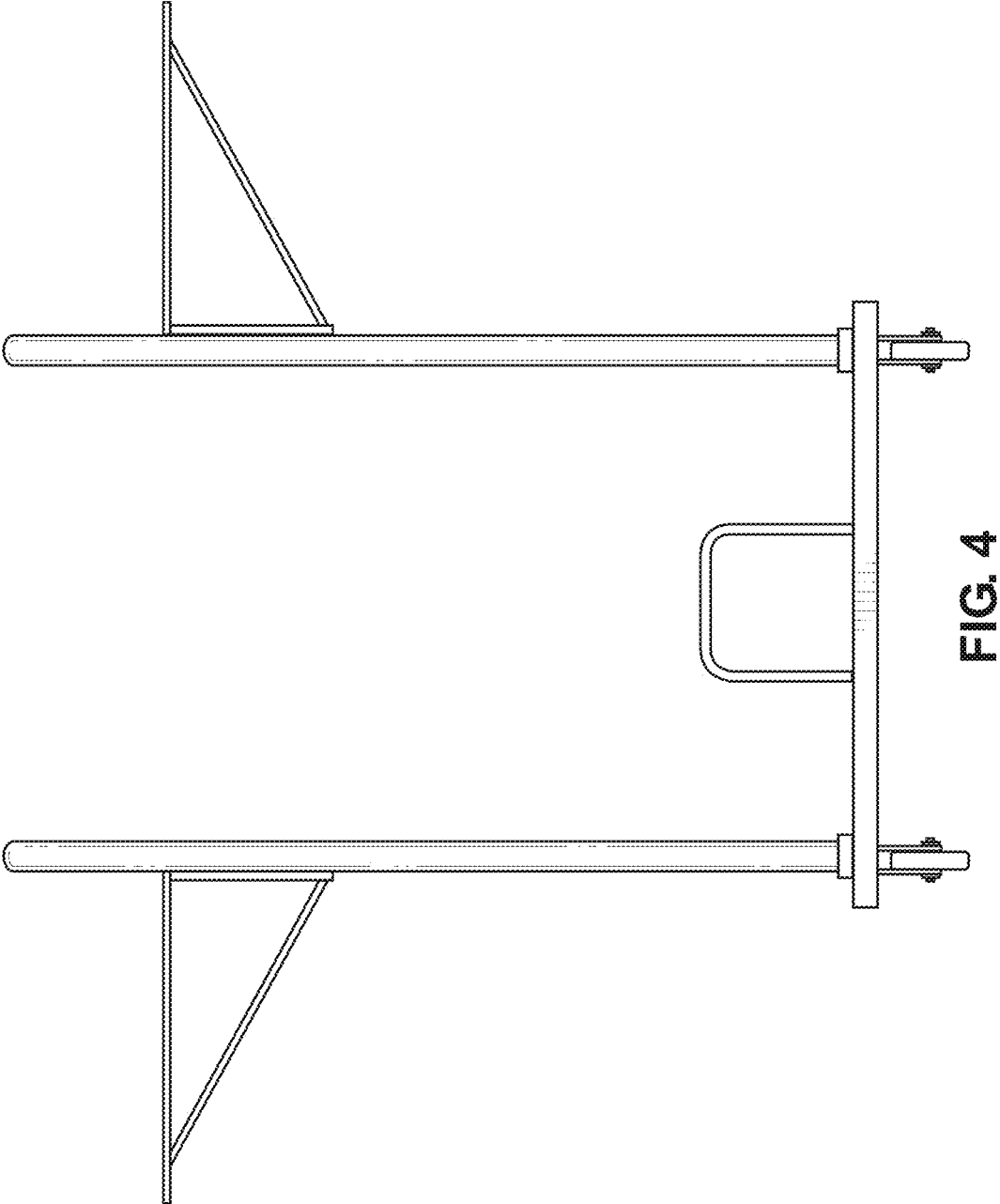


FIG. 4

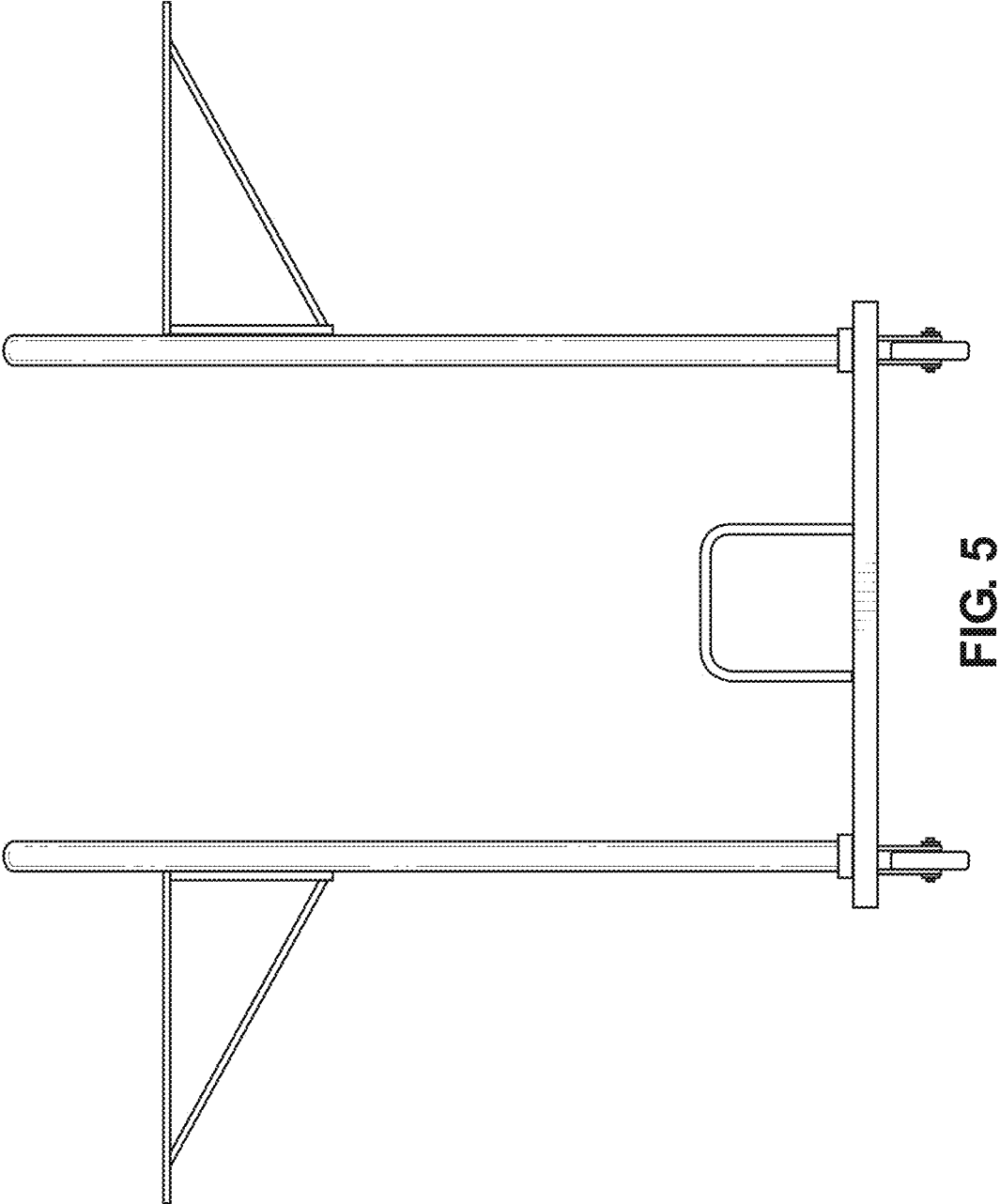


FIG. 5

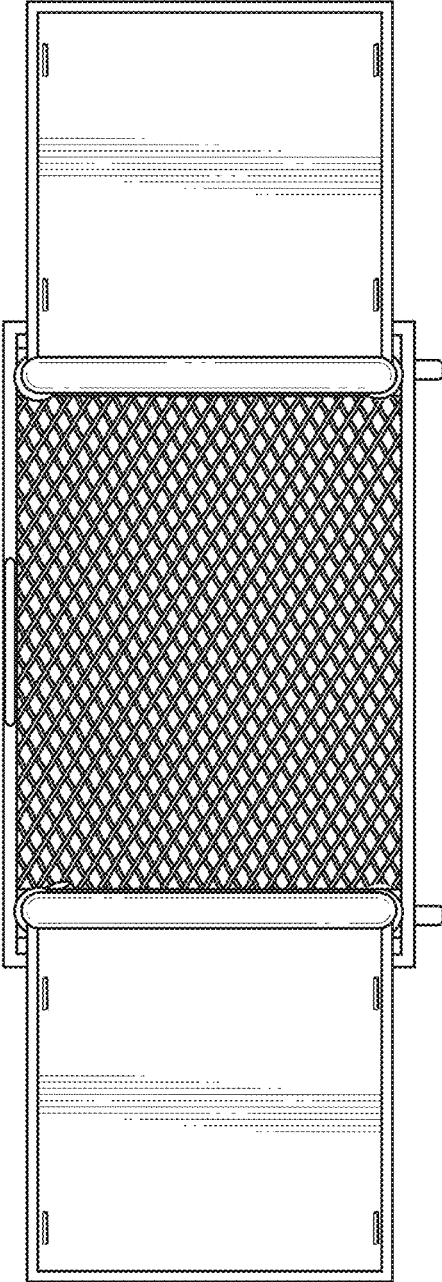


FIG. 6

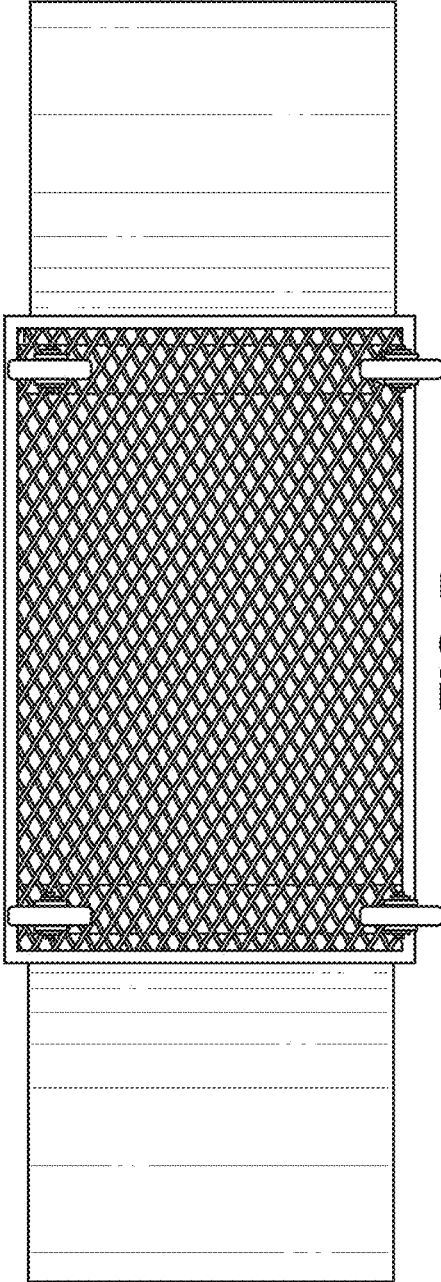


FIG. 7

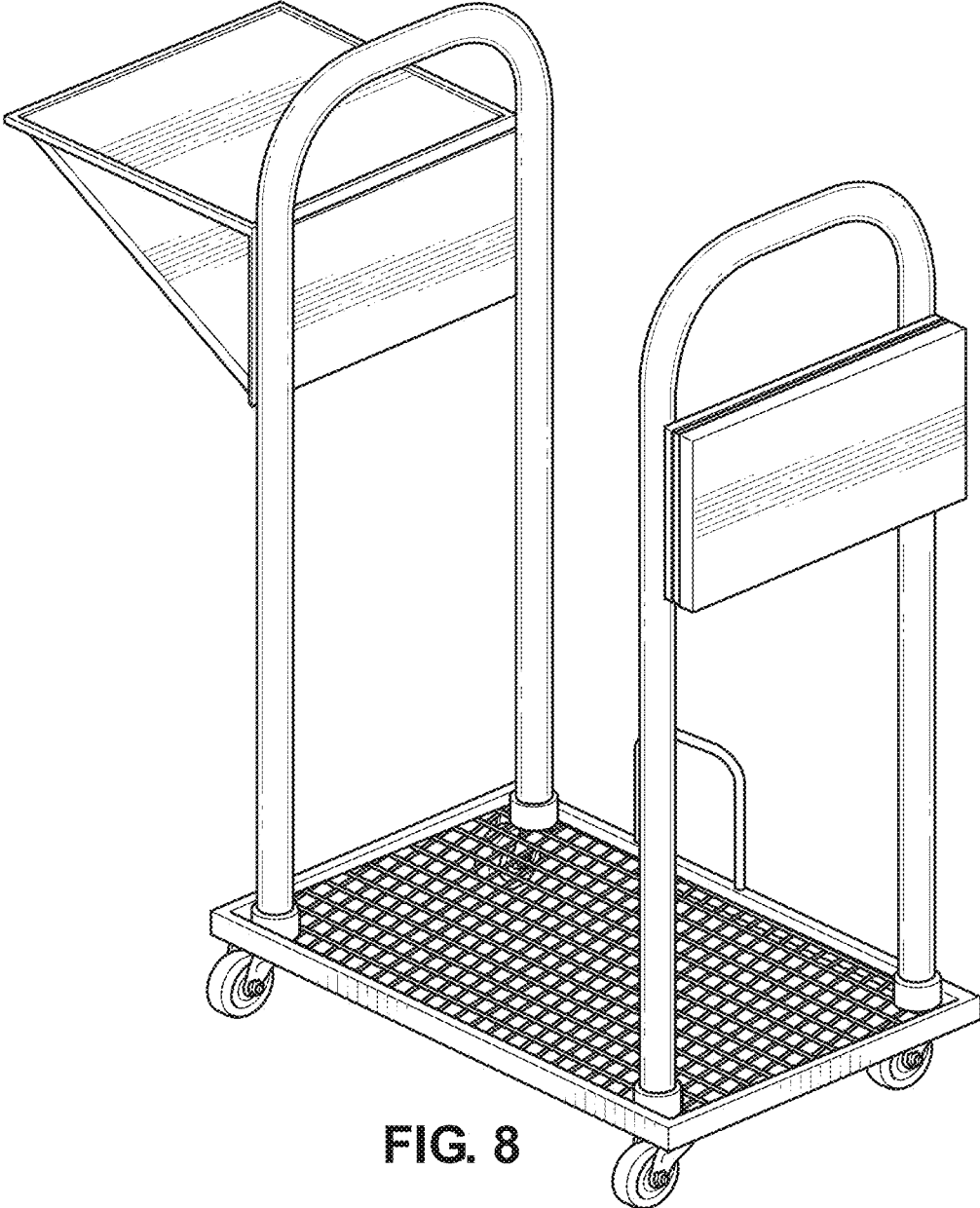


FIG. 8