



(12) **United States Design Patent**  
**McMahan**

(10) **Patent No.:** **US D818,906 S**  
(45) **Date of Patent:** **\*\* May 29, 2018**

- (54) **VEHICLE HOOD**
- (71) Applicant: **GM GLOBAL TECHNOLOGY OPERATIONS LLC**, Detroit, MI (US)
- (72) Inventor: **Robert B. McMahan**, Bloomfield Hills, MI (US)
- (73) Assignee: **GM Global Technology Operations LLC**, Detroit, MI (US)
- (\*\*) Term: **15 Years**
- (21) Appl. No.: **29/584,695**
- (22) Filed: **Nov. 16, 2016**
- (51) **LOC (11) Cl.** ..... **12-08**
- (52) **U.S. Cl.**  
USPC ..... **D12/173**
- (58) **Field of Classification Search**  
USPC ..... D12/90-92, 173, 181  
CPC .. B60R 21/34; B60R 2021/343; B62D 25/105  
See application file for complete search history.

D605,977 S	12/2009	Zipfel et al.	
D605,978 S	12/2009	Wolff et al.	
D608,249 S	1/2010	Peters	
D608,690 S	1/2010	Folden et al.	
D608,691 S	1/2010	Zak, Jr. et al.	
D609,608 S	2/2010	Boniface et al.	
D611,387 S	3/2010	Thompson et al.	
D611,879 S	3/2010	Kim et al.	
D612,297 S	3/2010	Peters et al.	
D613,645 S	4/2010	Song et al.	
D615,458 S	5/2010	Thompson et al.	
D618,595 S	6/2010	Ware et al.	
D623,090 S	9/2010	Cox et al.	
D623,100 S *	9/2010	Bimbi	D12/173
D627,262 S	11/2010	Ikeda et al.	
D635,488 S	4/2011	Phipps	
D640,959 S *	7/2011	Furst	D12/173
D641,669 S *	7/2011	Vardis	D12/173
D644,147 S	8/2011	Suh et al.	
D644,567 S	9/2011	Kozub	
D657,718 S	4/2012	Zipfel et al.	
D659,052 S	5/2012	Ware et al.	
D659,053 S	5/2012	Ware et al.	
D668,182 S	10/2012	Franco et al.	

(Continued)

*Primary Examiner* — John Windmuller  
*Assistant Examiner* — Melvin L Davis  
(74) *Attorney, Agent, or Firm* — Reising Ethington P.C.

(56) **References Cited**

**U.S. PATENT DOCUMENTS**

D437,270 S *	2/2001	Yokomaku	D12/173
D484,835 S *	1/2004	Chiang	D12/173
D522,939 S *	6/2006	Chiang	D12/173
D545,252 S *	6/2007	Chiang	D12/173
D548,152 S *	8/2007	Chiang	D12/173
D570,742 S	6/2008	Takagi et al.	
D592,105 S	5/2009	Dean et al.	
D597,447 S	8/2009	Folden	
D600,595 S	9/2009	Nakamura et al.	
D601,925 S	10/2009	O'Donnell	
D603,755 S	11/2009	Peters	
D604,203 S	11/2009	O'Donnell	
D605,082 S	12/2009	Munson	
D605,083 S	12/2009	Manoogian, II et al.	

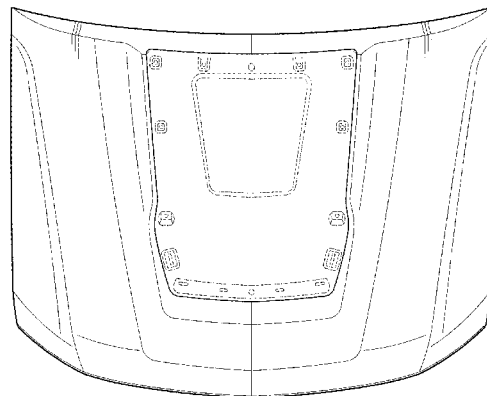
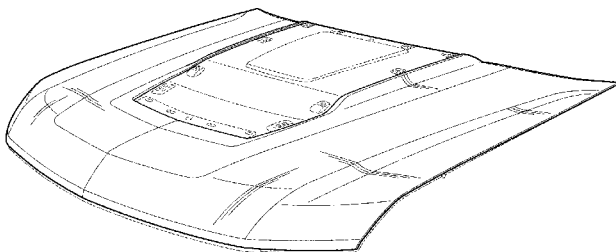
(57) **CLAIM**

The ornamental design for a vehicle hood, as shown and described.

**DESCRIPTION**

FIG. 1 is a perspective view of the vehicle hood;  
FIG. 2 is a front view thereof;  
FIG. 3 is a side view thereof; and,  
FIG. 4 is a top view thereof.  
The broken lines depicts portions of the article that form no part of the claimed design.

**1 Claim, 2 Drawing Sheets**



(56)

References Cited

U.S. PATENT DOCUMENTS

D668,183 S	10/2012	Smart		D743,314 S	11/2015	Thole et al.	
D678,820 S	3/2013	Son et al.		D743,857 S	11/2015	McMahan et al.	
D678,821 S	3/2013	Ikeda et al.		D744,158 S	11/2015	Willett et al.	
D680,909 S	4/2013	Munson et al.		D745,086 S	12/2015	Finos et al.	
D680,910 S	4/2013	David		D745,719 S	12/2015	Boniface et al.	
D684,899 S	6/2013	Baker		D745,725 S	12/2015	McMahan et al.	
D686,536 S	7/2013	McCabe et al.		D745,726 S	12/2015	McMahan et al.	
D692,798 S	11/2013	Thurber		D745,837 S	12/2015	Smith et al.	
D692,799 S	11/2013	Smith et al.		D746,726 S	1/2016	Smith et al.	
D696,157 S	12/2013	Loeb		D746,727 S	1/2016	Smith et al.	
D699,629 S	2/2014	Ikeda et al.		D746,728 S	1/2016	Smith et al.	
D700,871 S	3/2014	O'Donnell et al.		D746,729 S	1/2016	Boniface et al.	
D703,103 S	4/2014	Lee		D746,730 S	1/2016	Kim et al.	
D704,103 S	5/2014	Mack et al.		D747,514 S	1/2016	McMahan et al.	
D705,132 S	5/2014	Ware et al.		D747,515 S	1/2016	McMahan et al.	
D705,699 S	5/2014	Ware et al.		D747,819 S	1/2016	Thole et al.	
D706,185 S	* 6/2014	MacKay .....	D12/173	D749,021 S	2/2016	Boniface et al.	
D713,298 S	9/2014	Dyson		D749,026 S	2/2016	Smith et al.	
D713,764 S	9/2014	Ferlazzo et al.		D749,027 S	2/2016	McMahan et al.	
D716,696 S	11/2014	Thole et al.		D749,246 S	2/2016	Thole et al.	
D716,706 S	11/2014	Thole et al.		D749,249 S	2/2016	Thole et al.	
D716,709 S	11/2014	Thole et al.		D749,250 S	2/2016	Thole et al.	
D717,696 S	11/2014	Thole et al.		D749,985 S	2/2016	Kozub et al.	
D718,189 S	11/2014	Krieg et al.		D749,997 S	2/2016	McMahan et al.	
D718,683 S	12/2014	Thole et al.		D750,001 S	2/2016	Thole et al.	
D718,684 S	* 12/2014	Thole .....	D12/173	D753,032 S	4/2016	Smith et al.	
D722,282 S	2/2015	Loeb		D753,033 S	4/2016	Thole et al.	
D722,533 S	2/2015	Thole et al.		D753,034 S	4/2016	Thole et al.	
D722,534 S	2/2015	Munson et al.		D753,035 S	4/2016	Boniface et al.	
D724,510 S	3/2015	McMahan et al.		D753,559 S	4/2016	McMahan et al.	
D725,001 S	3/2015	McMahan et al.		D753,560 S	4/2016	McMahan et al.	
D726,591 S	4/2015	Jacob		D753,567 S	4/2016	Boniface et al.	
D730,776 S	6/2015	Smart		D754,571 S	4/2016	Boniface et al.	
D730,783 S	6/2015	Henriques et al.		D754,572 S	4/2016	McMahan et al.	
D732,427 S	6/2015	Loeb		D755,088 S	5/2016	McMahan et al.	
D732,429 S	6/2015	Loeb		D756,869 S	5/2016	McMahan et al.	
D732,430 S	6/2015	Loeb		D758,271 S	6/2016	McMahan et al.	
D732,431 S	6/2015	Loeb		D762,148 S	* 7/2016	Platto .....	D12/173
D732,432 S	6/2015	Aengenheyster		D767,449 S	9/2016	Pevovar et al.	
D732,433 S	6/2015	Aengenheyster		D767,450 S	9/2016	Lee et al.	
D732,435 S	6/2015	Mackay		D767,451 S	9/2016	Kozub et al.	
D733,002 S	6/2015	Loeb		D767,454 S	9/2016	McMahan et al.	
D735,611 S	8/2015	Aengenheyster		D767,458 S	9/2016	Kim	
D735,625 S	* 8/2015	Mays .....	D12/173	D767,459 S	9/2016	Kim	
D735,627 S	8/2015	Smith		D767,460 S	9/2016	Kozub et al.	
D736,451 S	8/2015	Smith		D767,461 S	9/2016	Kozub et al.	
D739,306 S	9/2015	McMahan		D771,528 S	11/2016	Smith et al.	
D739,317 S	9/2015	McMahan et al.		D771,529 S	11/2016	Thole et al.	
D741,223 S	10/2015	Kim et al.		D771,532 S	11/2016	Kapitonov	
D743,309 S	11/2015	Thole et al.		D771,533 S	11/2016	Kapitonov	
D743,313 S	11/2015	Smith et al.		D775,021 S	* 12/2016	Harriton .....	D12/173
				D795,765 S	* 8/2017	Rolfs .....	D12/173

\* cited by examiner

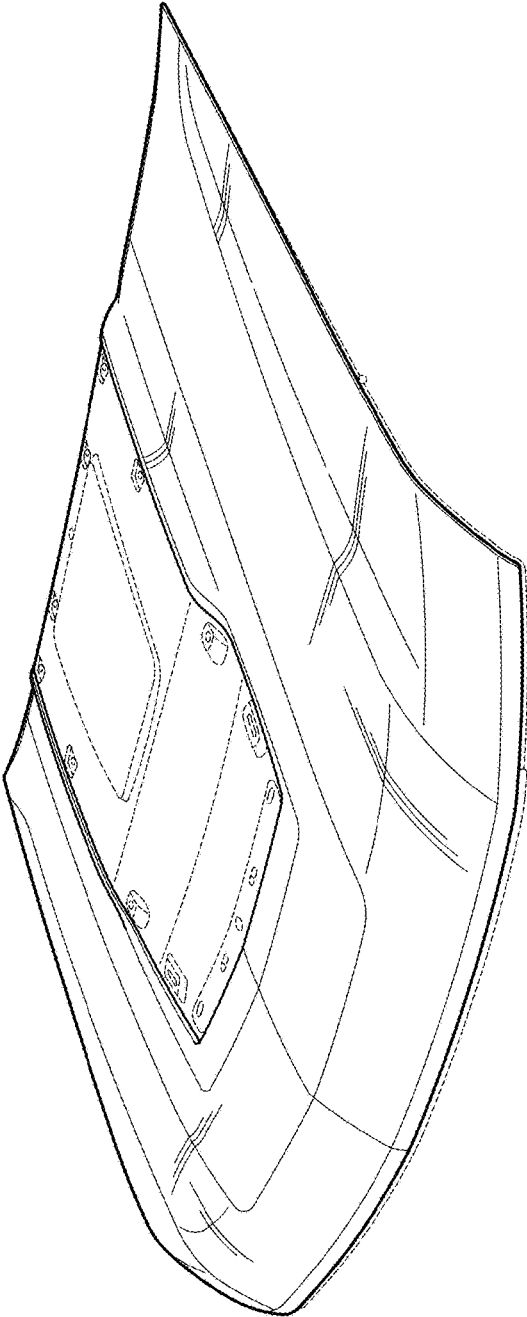


FIG. 1

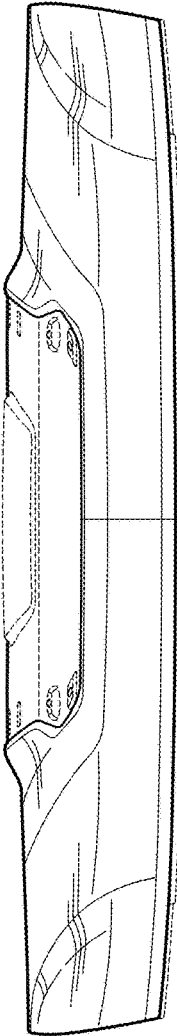


FIG. 2

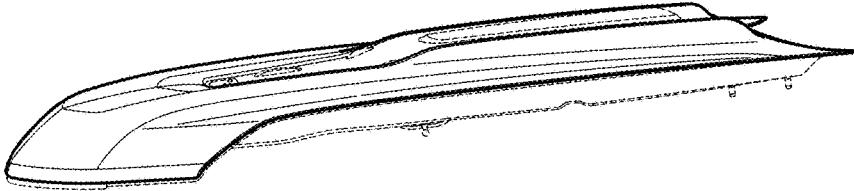


FIG. 3

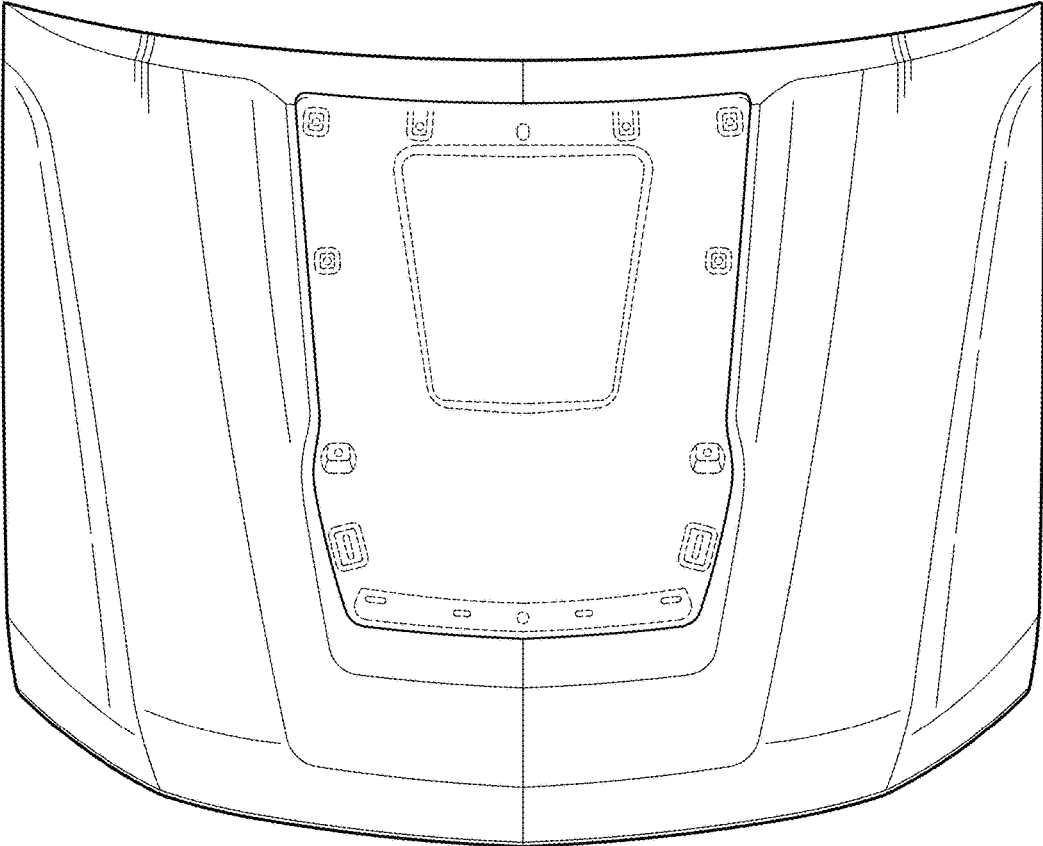


FIG. 4