

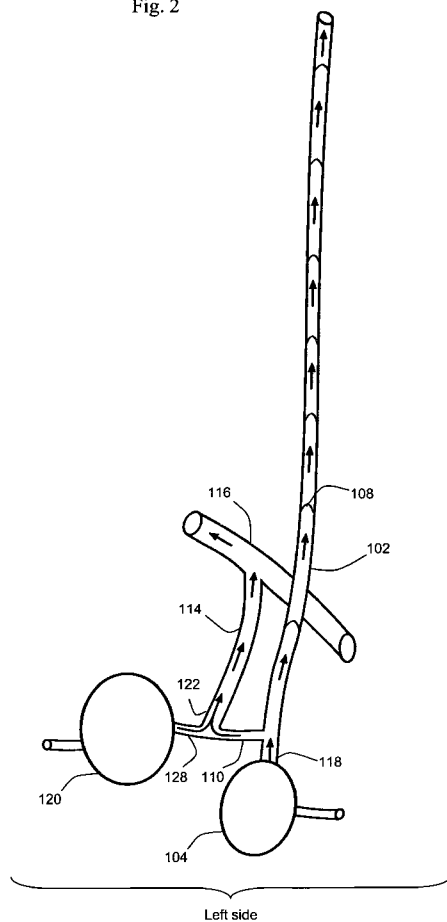


- (51) International Patent Classification:  
A61M 29/00 (2006.01)
- (21) International Application Number:  
PCT/IL2008/000973
- (22) International Filing Date:  
13 July 2008 (13.07.2008)
- (25) Filing Language: English
- (26) Publication Language: English
- (30) Priority Data:  
11/826,283 13 July 2007 (13.07.2007) US  
61/064,511 10 March 2008 (10.03.2008) US
- (71) Applicants and  
(72) Inventors: GAT, Yigal [IL/IL]; 8 LeAn Street, 52492 Ramat-gan (IL). GOREN, Menachem [IL/IL]; 8/1 Tzwick Street, 49379 Petach-tikva (IL).
- (74) Agents: G.E. EHRlich (1995) LTD. et al.; 11 Menachem Begin Street, 52521 Ramat Gan (IL).
- (81) Designated States (unless otherwise indicated, for every kind of national protection available): AE, AG, AL, AM, AO, AT, AU, AZ, BA, BB, BG, BH, BR, BW, BY, BZ, CA, CH, CN, CO, CR, CU, CZ, DE, DK, DM, DO, DZ, EC, EE, EG, ES, FI, GB, GD, GE, GH, GM, GT, HN, HR, HU, ID, IL, IN, IS, JP, KE, KG, KM, KN, KP, KR, KZ, LA, LC, LK, LR, LS, LT, LU, LY, MA, MD, ME, MG, MK, MN, MW, MX, MY, MZ, NA, NG, NI, NO, NZ, OM, PG, PH, PL, PT, RO, RS, RU, SC, SD, SE, SG,

[Continued on next page]

(54) Title: METHODS AND APPARATUS FOR TREATING THE PROSTATE

Fig. 2



(57) Abstract: Treating and/or preventing prostate problems and/or metastases, by selectively occluding various groin vessels and tools for selective occluding of various groin veins, including, for example, the deferential vein. Optionally providing anti-androgen treatment after such occluding.





SK, SL, SM, ST, SV, SY, TJ, TM, TN, TR, TT, TZ, UA,  
UG, US, UZ, VC, VN, ZA, ZM, ZW.

(BF, BJ, CF, CG, CI, CM, GA, GN, GQ, GW, ML, MR,  
NE, SN, TD, TG).

**(84) Designated States** (*unless otherwise indicated, for every kind of regional protection available*): ARIPO (BW, GH, GM, KE, LS, MW, MZ, NA, SD, SL, SZ, TZ, UG, ZM, ZW), Eurasian (AM, AZ, BY, KG, KZ, MD, RU, TJ, TM), European (AT, BE, BG, CH, CY, CZ, DE, DK, EE, ES, FI, FR, GB, GR, HR, HU, IE, IS, IT, LT, LU, LV, MC, MT, NL, NO, PL, PT, RO, SE, SI, SK, TR), OAPI

**Published:**

— *with international search report (Art. 21(3))*

**(88) Date of publication of the international search report:**

25 February 2010

INTERNATIONAL SEARCH REPORT

International application No.  
PCT/IL2008/000973

<p>A. CLASSIFICATION OF SUBJECT MATTER IPC(8) - A61M 29/00 (2008.04) USPC - 606/200 According to International Patent Classification (IPC) or to both national classification and IPC</p>																																
<p>B. FIELDS SEARCHED</p> <p>Minimum documentation searched (classification system followed by classification symbols) IPC(8) - A61M 29/00 (2008.04) USPC - 606/200</p> <p>Documentation searched other than minimum documentation to the extent that such documents are included in the fields searched</p> <p>Electronic data base consulted during the international search (name of data base and, where practicable, search terms used) PatBase</p>																																
<p>C. DOCUMENTS CONSIDERED TO BE RELEVANT</p> <table border="1"> <thead> <tr> <th>Category*</th> <th>Citation of document, with indication, where appropriate, of the relevant passages</th> <th>Relevant to claim No.</th> </tr> </thead> <tbody> <tr> <td>X</td> <td>US 2004/0062750 A1 (DONAHOE et al) 01 April 2004 (01.04.2004) entire document</td> <td>65</td> </tr> <tr> <td>Y</td> <td></td> <td>1-24,62-64, 66-67</td> </tr> <tr> <td>Y</td> <td>US 6,384,017 B1 (GARNICK et al) 07 May 2002 (07.05.2002) entire document</td> <td>1-24, 62, 64, 66, 67</td> </tr> <tr> <td>Y</td> <td>US 5,683,411 A (KAVTELADZE et al) 04 November 1997 (04.11.1997) entire document</td> <td>1-24, 62, 67</td> </tr> <tr> <td>Y</td> <td>US 2002/0165195 A1 (WANG et al) 07 November 2002 (07.11.2002) entire document</td> <td>7</td> </tr> <tr> <td>Y</td> <td>US 2004/0267258 A1 (ZIKORUS et al) 30 December 2004 (30.12.2004) entire document</td> <td>22, 23</td> </tr> <tr> <td>Y</td> <td>US 2006/0052823 A1 (MIRIZZI et al) 09 March 2006 (09.03.2006) entire document</td> <td>63</td> </tr> <tr> <td>Y</td> <td>US 2003/0208223 A1 (KLEINER) 06 November 2003 (06.11.2003) entire document</td> <td>63</td> </tr> <tr> <td>Y</td> <td>US 2005/0182342 A1 (DINSMOOR et al) 18 August 2005 (18.08.2005) entire document</td> <td>66</td> </tr> </tbody> </table>			Category*	Citation of document, with indication, where appropriate, of the relevant passages	Relevant to claim No.	X	US 2004/0062750 A1 (DONAHOE et al) 01 April 2004 (01.04.2004) entire document	65	Y		1-24,62-64, 66-67	Y	US 6,384,017 B1 (GARNICK et al) 07 May 2002 (07.05.2002) entire document	1-24, 62, 64, 66, 67	Y	US 5,683,411 A (KAVTELADZE et al) 04 November 1997 (04.11.1997) entire document	1-24, 62, 67	Y	US 2002/0165195 A1 (WANG et al) 07 November 2002 (07.11.2002) entire document	7	Y	US 2004/0267258 A1 (ZIKORUS et al) 30 December 2004 (30.12.2004) entire document	22, 23	Y	US 2006/0052823 A1 (MIRIZZI et al) 09 March 2006 (09.03.2006) entire document	63	Y	US 2003/0208223 A1 (KLEINER) 06 November 2003 (06.11.2003) entire document	63	Y	US 2005/0182342 A1 (DINSMOOR et al) 18 August 2005 (18.08.2005) entire document	66
Category*	Citation of document, with indication, where appropriate, of the relevant passages	Relevant to claim No.																														
X	US 2004/0062750 A1 (DONAHOE et al) 01 April 2004 (01.04.2004) entire document	65																														
Y		1-24,62-64, 66-67																														
Y	US 6,384,017 B1 (GARNICK et al) 07 May 2002 (07.05.2002) entire document	1-24, 62, 64, 66, 67																														
Y	US 5,683,411 A (KAVTELADZE et al) 04 November 1997 (04.11.1997) entire document	1-24, 62, 67																														
Y	US 2002/0165195 A1 (WANG et al) 07 November 2002 (07.11.2002) entire document	7																														
Y	US 2004/0267258 A1 (ZIKORUS et al) 30 December 2004 (30.12.2004) entire document	22, 23																														
Y	US 2006/0052823 A1 (MIRIZZI et al) 09 March 2006 (09.03.2006) entire document	63																														
Y	US 2003/0208223 A1 (KLEINER) 06 November 2003 (06.11.2003) entire document	63																														
Y	US 2005/0182342 A1 (DINSMOOR et al) 18 August 2005 (18.08.2005) entire document	66																														
<p><input type="checkbox"/> Further documents are listed in the continuation of Box C. <input type="checkbox"/></p>																																
<p>* Special categories of cited documents:</p> <table border="0"> <tr> <td>"A" document defining the general state of the art which is not considered to be of particular relevance</td> <td>"T" later document published after the international filing date or priority date and not in conflict with the application but cited to understand the principle or theory underlying the invention</td> </tr> <tr> <td>"E" earlier application or patent but published on or after the international filing date</td> <td>"X" document of particular relevance; the claimed invention cannot be considered novel or cannot be considered to involve an inventive step when the document is taken alone</td> </tr> <tr> <td>"L" document which may throw doubts on priority claim(s) or which is cited to establish the publication date of another citation or other special reason (as specified)</td> <td>"Y" document of particular relevance; the claimed invention cannot be considered to involve an inventive step when the document is combined with one or more other such documents, such combination being obvious to a person skilled in the art</td> </tr> <tr> <td>"O" document referring to an oral disclosure, use, exhibition or other means</td> <td>"&amp;" document member of the same patent family</td> </tr> <tr> <td>"P" document published prior to the international filing date but later than the priority date claimed</td> <td></td> </tr> </table>			"A" document defining the general state of the art which is not considered to be of particular relevance	"T" later document published after the international filing date or priority date and not in conflict with the application but cited to understand the principle or theory underlying the invention	"E" earlier application or patent but published on or after the international filing date	"X" document of particular relevance; the claimed invention cannot be considered novel or cannot be considered to involve an inventive step when the document is taken alone	"L" document which may throw doubts on priority claim(s) or which is cited to establish the publication date of another citation or other special reason (as specified)	"Y" document of particular relevance; the claimed invention cannot be considered to involve an inventive step when the document is combined with one or more other such documents, such combination being obvious to a person skilled in the art	"O" document referring to an oral disclosure, use, exhibition or other means	"&" document member of the same patent family	"P" document published prior to the international filing date but later than the priority date claimed																					
"A" document defining the general state of the art which is not considered to be of particular relevance	"T" later document published after the international filing date or priority date and not in conflict with the application but cited to understand the principle or theory underlying the invention																															
"E" earlier application or patent but published on or after the international filing date	"X" document of particular relevance; the claimed invention cannot be considered novel or cannot be considered to involve an inventive step when the document is taken alone																															
"L" document which may throw doubts on priority claim(s) or which is cited to establish the publication date of another citation or other special reason (as specified)	"Y" document of particular relevance; the claimed invention cannot be considered to involve an inventive step when the document is combined with one or more other such documents, such combination being obvious to a person skilled in the art																															
"O" document referring to an oral disclosure, use, exhibition or other means	"&" document member of the same patent family																															
"P" document published prior to the international filing date but later than the priority date claimed																																
<p>Date of the actual completion of the international search 16 December 2008</p>		<p>Date of mailing of the international search report <b>24 DEC 2008</b></p>																														
<p>Name and mailing address of the ISA/US Mail Stop PCT, Attn: ISA/US, Commissioner for Patents P.O. Box 1450, Alexandria, Virginia 22313-1450 Facsimile No. 571-273-3201</p>		<p>Authorized officer: Blaine R. Copenheaver PCT Helpdesk: 571-272-4300 PCT OSP: 571-272-7774</p>																														

**INTERNATIONAL SEARCH REPORT**

International application No.

PCT/IL2008/000973

**Box No. II Observations where certain claims were found unsearchable (Continuation of item 2 of first sheet)**

This international search report has not been established in respect of certain claims under Article 17(2)(a) for the following reasons:

1.  Claims Nos.:  
because they relate to subject matter not required to be searched by this Authority, namely:
  
2.  Claims Nos.:  
because they relate to parts of the international application that do not comply with the prescribed requirements to such an extent that no meaningful international search can be carried out, specifically:
  
3.  Claims Nos.:  
because they are dependent claims and are not drafted in accordance with the second and third sentences of Rule 6.4(a).

**Box No. III Observations where unity of invention is lacking (Continuation of item 3 of first sheet)**

This International Searching Authority found multiple inventions in this international application, as follows:

Group I, claims 1-24 and 62-67 are drawn to a method of treating a prostate.  
 Group II, claims 25-55 are drawn to an intravascular catheter and method of use.  
 Group III, claims 56-61 are drawn to a method for vein sealing.

1.  As all required additional search fees were timely paid by the applicant, this international search report covers all searchable claims.
2.  As all searchable claims could be searched without effort justifying additional fees, this Authority did not invite payment of additional fees.
3.  As only some of the required additional search fees were timely paid by the applicant, this international search report covers only those claims for which fees were paid, specifically claims Nos.:
  
4.  No required additional search fees were timely paid by the applicant. Consequently, this international search report is restricted to the invention first mentioned in the claims; it is covered by claims Nos.:  
 Claims 1-24 and 62-67

**Remark on Protest**

- The additional search fees were accompanied by the applicant's protest and, where applicable, the payment of a protest fee.
- The additional search fees were accompanied by the applicant's protest but the applicable protest fee was not paid within the time limit specified in the invitation.
- No protest accompanied the payment of additional search fees.