



US00D488682S

(12) **United States Design Patent** (10) **Patent No.:** **US D488,682 S**  
**Bertke et al.** (45) **Date of Patent:** **\*\* \*Apr. 20, 2004**

(54) **PIZZA KNIFE** D241,603 S 9/1976 MacNeil ..... D7/691  
D383,267 S 9/1997 Emmerth ..... D32/46  
(75) Inventors: **Patrick J. Bertke**, Columbus, OH D394,371 S 5/1998 Cousins ..... D7/691  
(US); **Christopher L. Hawker**, D472,112 S 3/2003 Bertke ..... D7/691  
Columbus, OH (US)

**OTHER PUBLICATIONS**

(73) Assignee: **Trident Design, LLC**, Columbus, OH  
(US) Colonial Garden Kitchens, Mar. 1992, p. 18, Dough Scraper  
(B).\*

(\* ) Notice: This patent is subject to a terminal disclaimer.

\* cited by examiner

(\*\*) Term: **14 Years**

*Primary Examiner*—Terry A. Wallace  
(74) *Attorney, Agent, or Firm*—James R. Eley; Michael A. Forhan; Thompson Hine LLP

(21) Appl. No.: **29/182,379**

(57) **CLAIM**

(22) Filed: **May 22, 2003**

The ornamental design for a pizza knife, as shown and described.

(51) **LOC (7) Cl.** ..... **07-04**

**DESCRIPTION**

(52) **U.S. Cl.** ..... **D7/693**

FIG. 1 is a perspective view of a pizza knife showing our new design;

(58) **Field of Search** ..... D7/688, 691-693;

D8/14, 16, 19, 20, 47, 88; D32/46; 15/143.1, 236.01; 30/169, 314; 294/27.1

FIG. 2 is a rear elevational view thereof;

FIG. 3 is a right side elevational view thereof;

FIG. 4 is a left side elevational view thereof;

FIG. 5 is a front elevational view thereof;

FIG. 6 is a top plan view thereof; and,

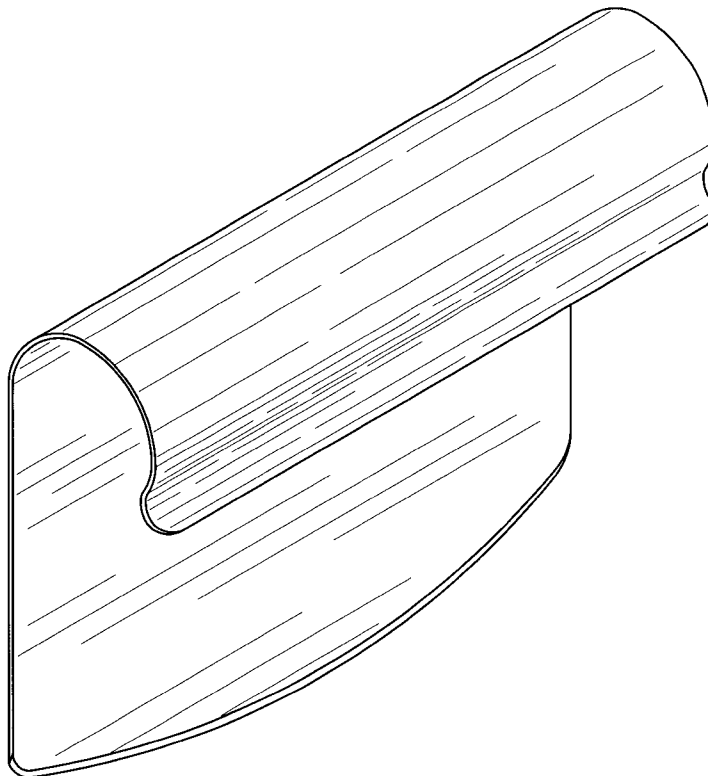
FIG. 7 is a bottom plan view thereof.

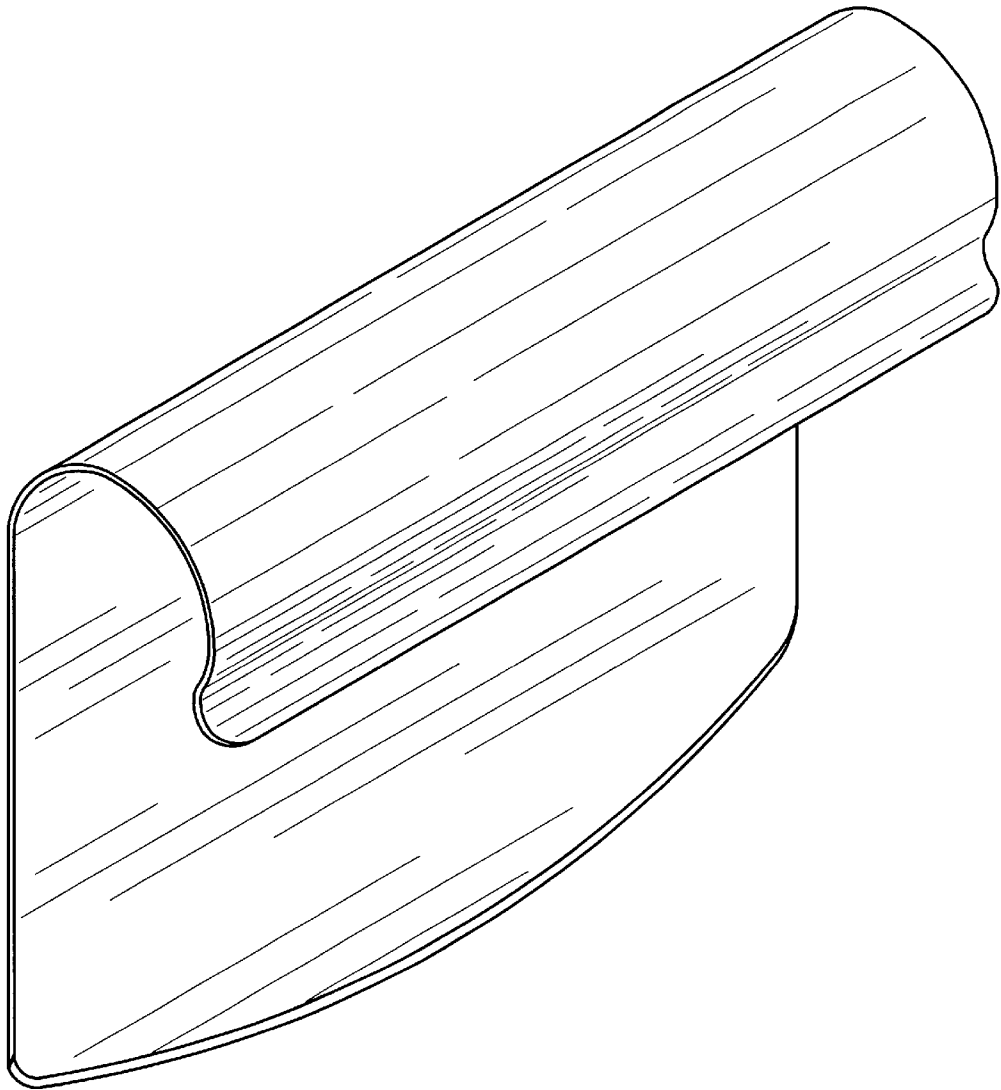
(56) **References Cited**

**U.S. PATENT DOCUMENTS**

D23,068 S 2/1894 Leggett ..... D32/46  
1,872,887 A 8/1932 Casse ..... 30/169  
2,501,588 A 3/1950 Somers ..... D7/691 X  
3,365,227 A 1/1968 Wildgen ..... 294/27.1  
D224,603 S 8/1972 Wetzel ..... D32/46

**1 Claim, 3 Drawing Sheets**





*Fig. 1*

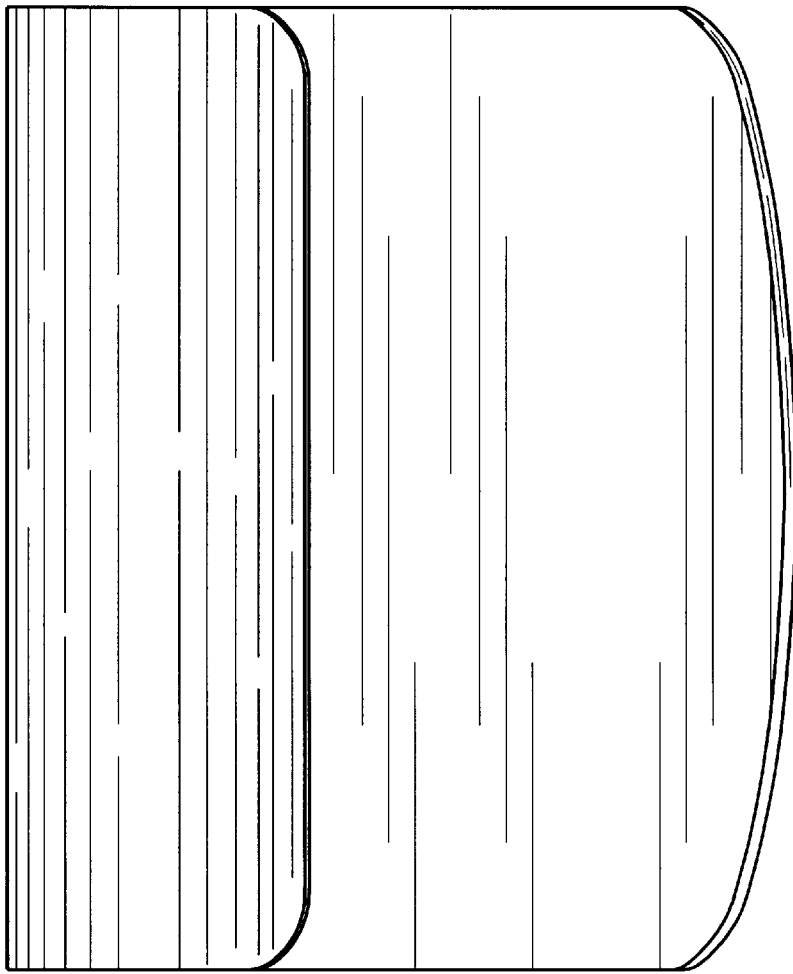


Fig. 2

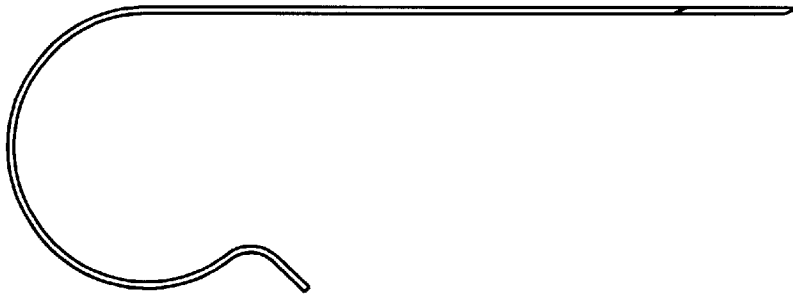


Fig. 4

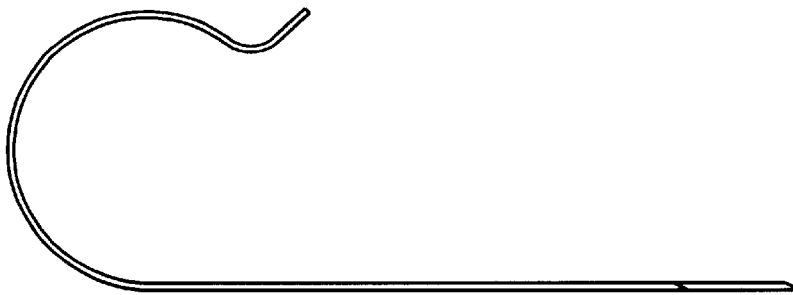
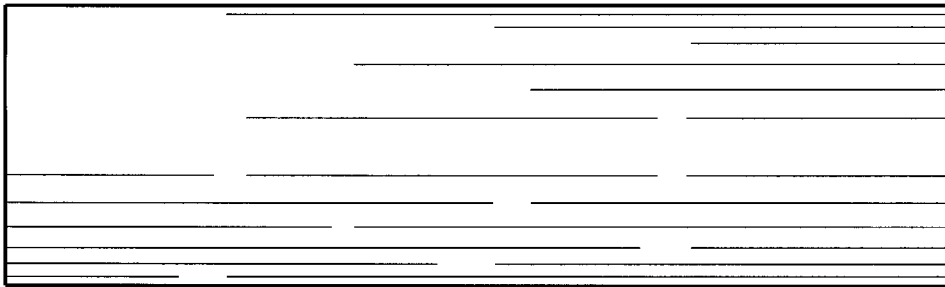
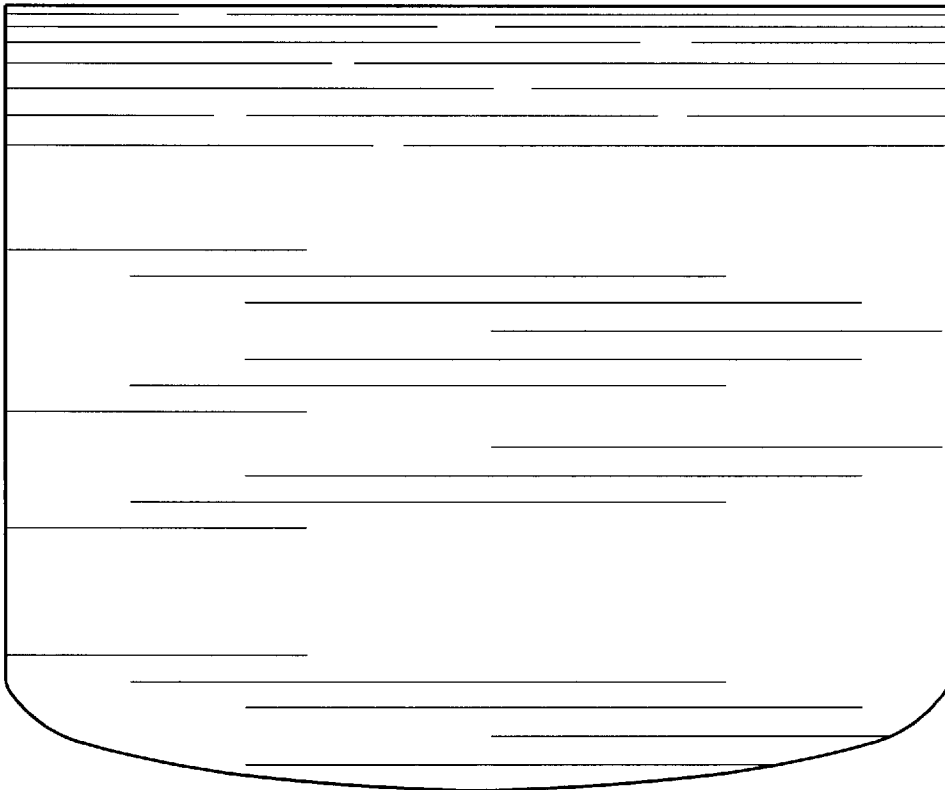


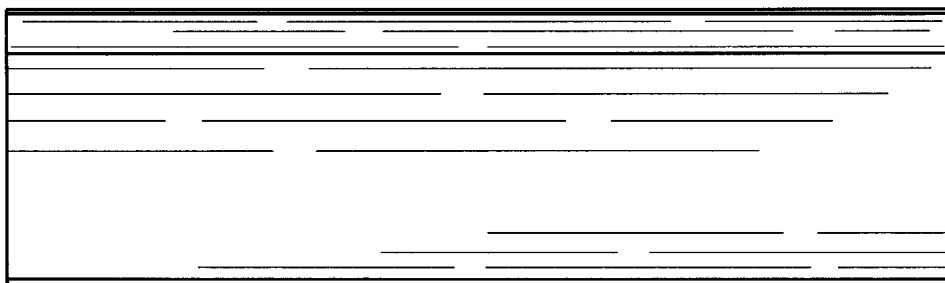
Fig. 3



*Fig. 6*



*Fig. 5*



*Fig. 7*