



US00D998259S

(12) **United States Design Patent**
Waddell

(10) **Patent No.:** **US D998,259 S**

(45) **Date of Patent:** **** Sep. 5, 2023**

(54) **AUTOMATICALLY SELF-CLEANING PET POTTY**

FOREIGN PATENT DOCUMENTS

(71) Applicant: **Sebastian Waddell**, Rosebery (AU)

CN	305198366	*	6/2019
CN	305614274	*	2/2020
CN	306924128	*	11/2021

(72) Inventor: **Sebastian Waddell**, Rosebery (AU)

(**) Term: **15 Years**

OTHER PUBLICATIONS

(21) Appl. No.: **29/798,949**

Umay Under Desk Treadmill, available in Amazon.com, date first available Nov. 23, 2018 [online], [site visited Nov. 3, 2022], Available from the internet URL: <https://www.amazon.com/UMAY-Treadmill-Intelligent-Lightweight-Machine/dp/B07KTSR8MP?th=1> (Year: 2018).*

(22) Filed: **Jul. 12, 2021**

(51) **LOC (14) Cl.** **30-11**

(52) **U.S. Cl.**
USPC **D30/161**

(Continued)

(58) **Field of Classification Search**
USPC D21/668, 669; D30/108–109, 112–120, D30/160–162
CPC A01K 1/0107; A01K 1/011; A01K 1/0114; A01K 1/0117; A01K 1/0121; A01K 1/0125; A01K 1/0128; A01K 1/0132; A01K 1/0135; A01K 1/0139; A01K 1/0142; A01K 1/0151; A01K 1/0152; A01K 1/0154; A01K 1/0155; A01K 1/0157; A01K 23/005; E01H 1/1206
See application file for complete search history.

Primary Examiner — Vy N Koenig
Assistant Examiner — Elizabeth Anne Glassberg
(74) *Attorney, Agent, or Firm* — Pete Adams Law, PLLC

(57) **CLAIM**

The ornamental design for an automatically self-cleaning pet potty, as shown and described.

(56) **References Cited**

DESCRIPTION

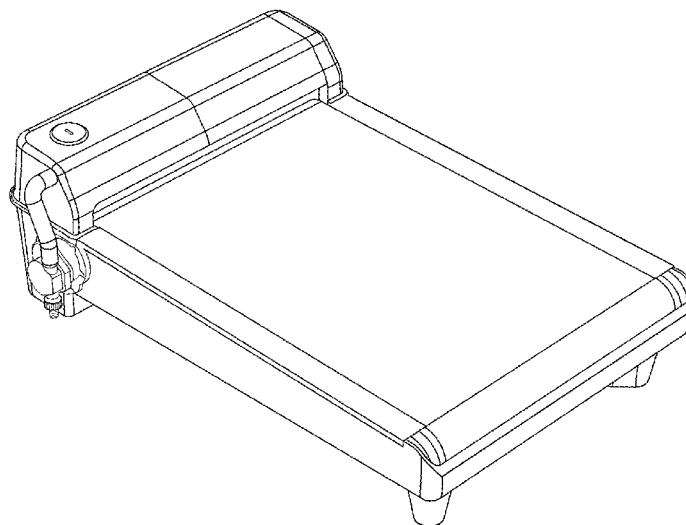
U.S. PATENT DOCUMENTS

D232,446	S	*	8/1974	Townsend	D21/669
3,921,582	A	*	11/1975	Sedlmeir	A01K 1/0107 119/161
3,937,182	A	*	2/1976	Kamimura	A01K 1/0114 119/161
D244,701	S	*	6/1977	Knochel	D30/161
4,050,414	A	*	9/1977	Knochel	A01K 1/0117 119/164
4,098,229	A	*	7/1978	Haynes	A01K 1/0117 119/164
4,117,555	A	*	10/1978	Dennis	A01K 1/0111 119/163
4,196,693	A	*	4/1980	Unversaw	A01K 1/0117 119/164

FIG. 1 is a left side front perspective view for an automatically self-cleaning pet potty;
FIG. 2 is a right side front perspective view thereof;
FIG. 3 is a left side rear perspective view thereof;
FIG. 4 is a right side rear perspective view thereof;
FIG. 5 is a left side view thereof;
FIG. 6 is a right side view thereof;
FIG. 7 is a rear view thereof;
FIG. 8 is a front view thereof;
FIG. 9 is a top view thereof; and,
FIG. 10 is a bottom view thereof.
The broken lines in the drawings are for illustrative purposes only and form no part of the claimed design.

(Continued)

1 Claim, 5 Drawing Sheets



(56)

References Cited

U.S. PATENT DOCUMENTS

5,592,900 A * 1/1997 Kakuta A01K 1/0117
 119/164
 6,079,363 A * 6/2000 MacLaine A01K 1/0107
 119/161
 D621,105 S * 8/2010 Askinasi D30/161
 8,316,801 B1 * 11/2012 Nottingham A01K 1/0117
 119/169
 8,464,662 B1 * 6/2013 Shorenstein A01K 1/0107
 119/164
 9,737,045 B1 * 8/2017 Scanlan A01K 1/011
 9,737,046 B1 * 8/2017 Pugh A01K 1/0135
 D797,216 S * 9/2017 Jacobs D21/669
 D836,848 S * 12/2018 Broten D30/118
 D941,536 S * 1/2022 Nie D30/161
 D947,298 S * 3/2022 Ren D21/669
 2008/0105207 A1 * 5/2008 Gloor A01K 1/011
 119/161
 2015/0053140 A1 * 2/2015 Roh A01K 1/0114
 119/163

2016/0278338 A1 * 9/2016 Bin A01K 1/0117
 2018/0014509 A1 * 1/2018 Kwak A01K 23/005
 2021/0195864 A1 * 7/2021 Carvalho A01K 1/011
 2021/0360896 A1 * 11/2021 Waddell A01K 1/0135
 2022/0210998 A1 * 7/2022 Cook A01K 1/0157

OTHER PUBLICATIONS

Fydo Self-Cleaning Dog Toilet, announced in Facebook.com on Jun. 7, 2021 [online], [site visited Nov. 3, 2022], Available from the internet URL: https://www.facebook.com/100063019492500/videos/837220073858167/?_so_=permalink (Year: 2021).*

BrilliantPad Self-Cleaning Indoor Dog Potty, announced in Indiegogo.com on Apr. 21, 2017 [online], [site visited Nov. 3, 2022], Available from the internet URL: <https://www.indiegogo.com/projects/brilliantpad-self-cleaning-indoor-dog-potty#/> (Year: 2017).*

Woolfoo Self-Cleaning Toilet For Dogs, announced in YouTube.com on Dec. 7, 2017 [online], [site visited Nov. 3, 2022], Available from the internet URL: https://www.youtube.com/watch?v=FLjxK_lbMtU (Year: 2017).*

* cited by examiner

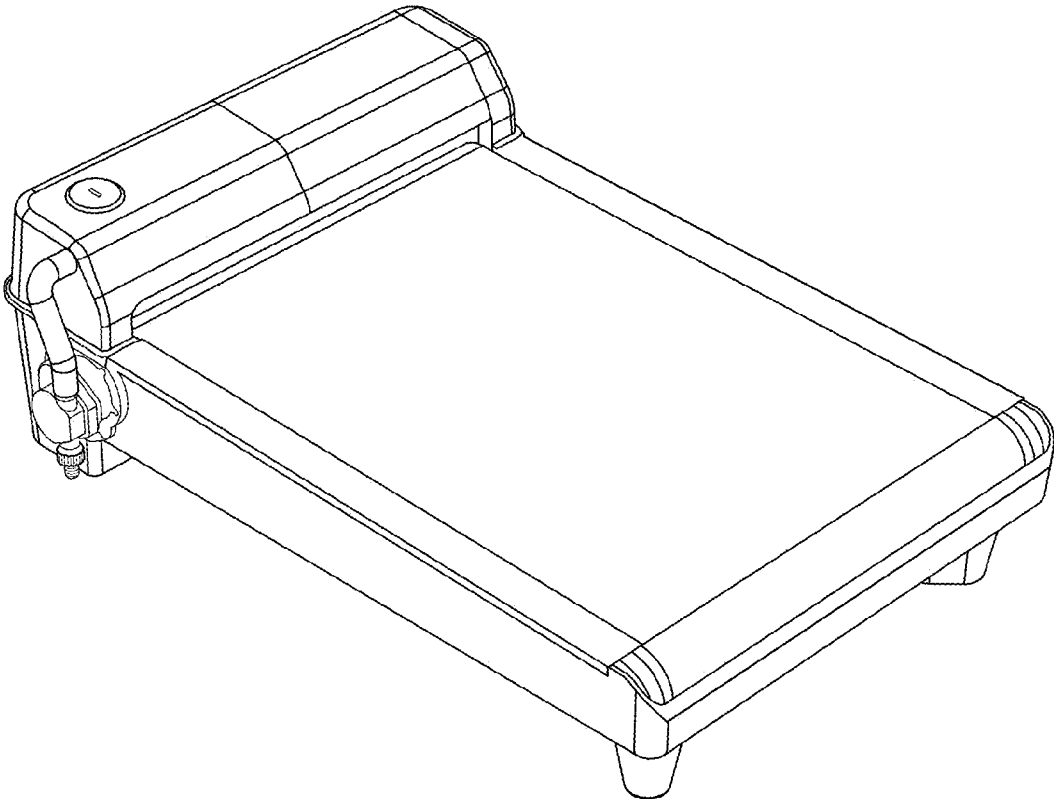


FIG. 1

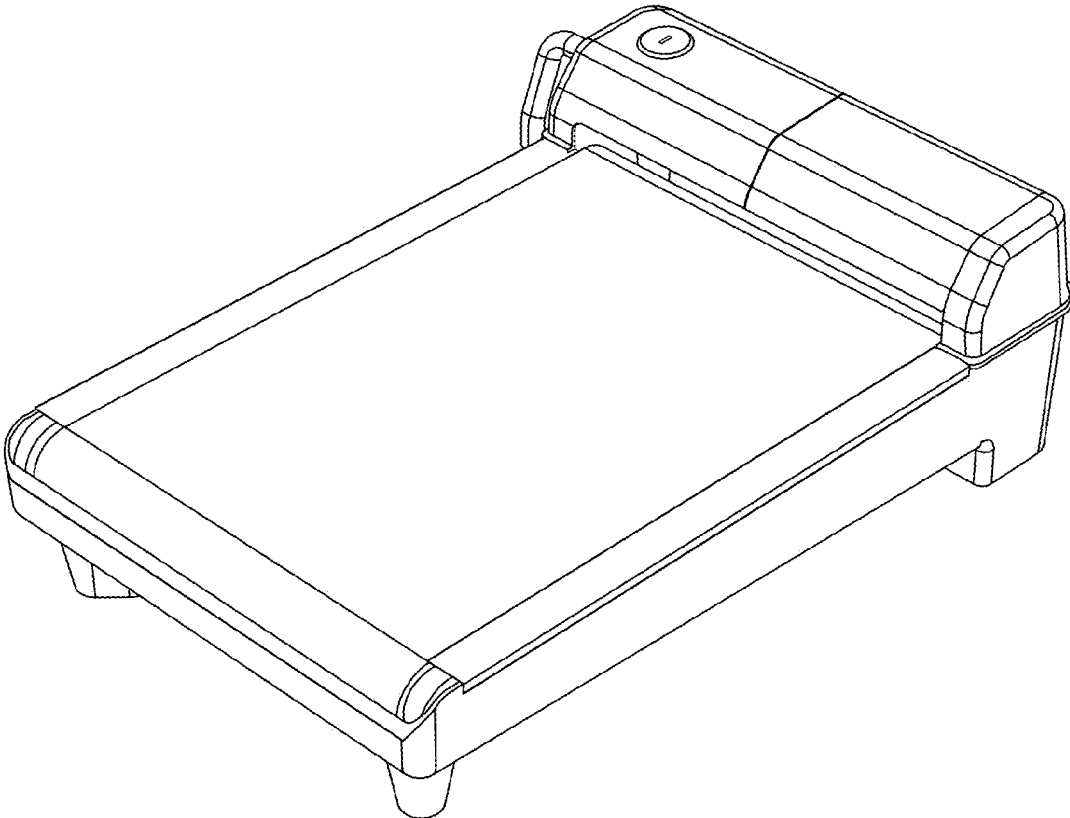


FIG. 2

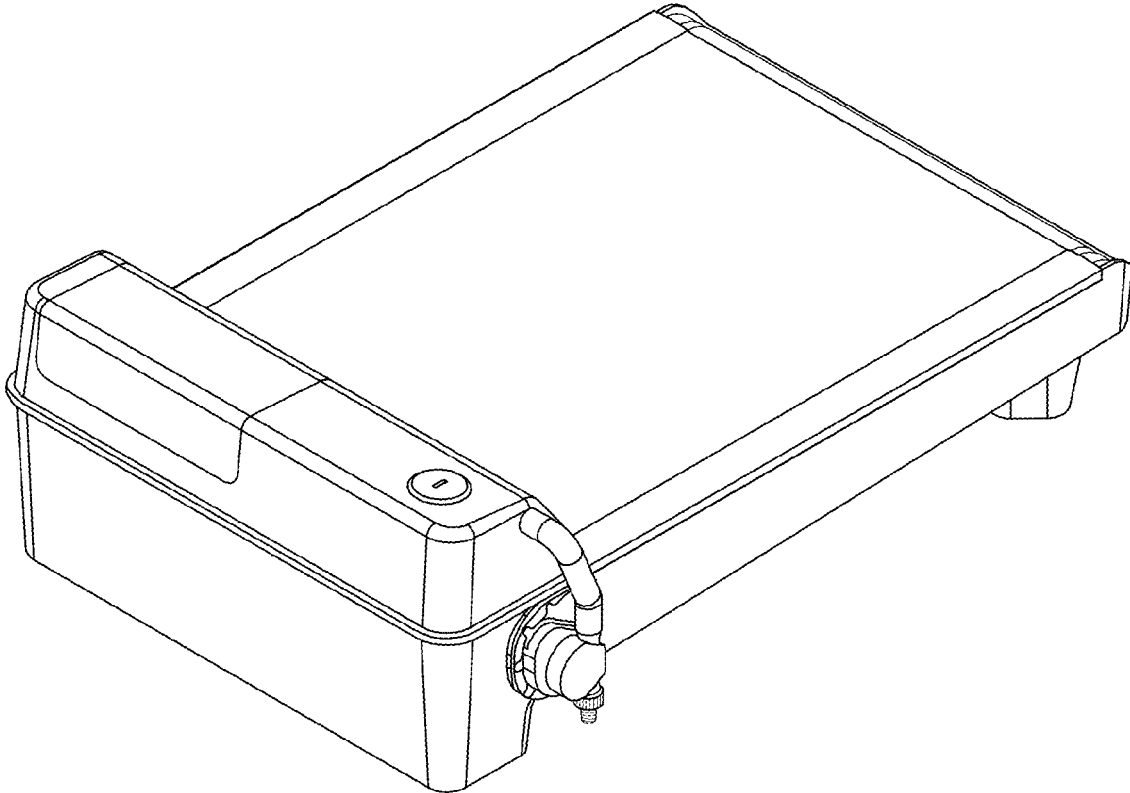


FIG. 3

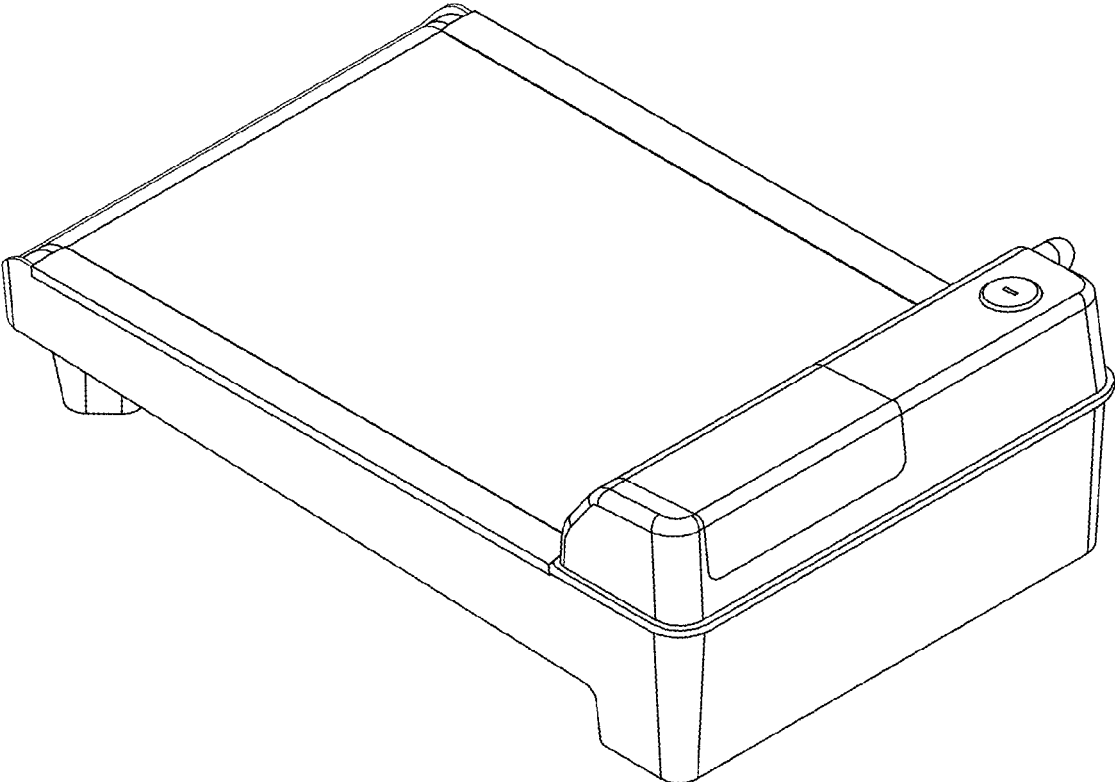


FIG. 4

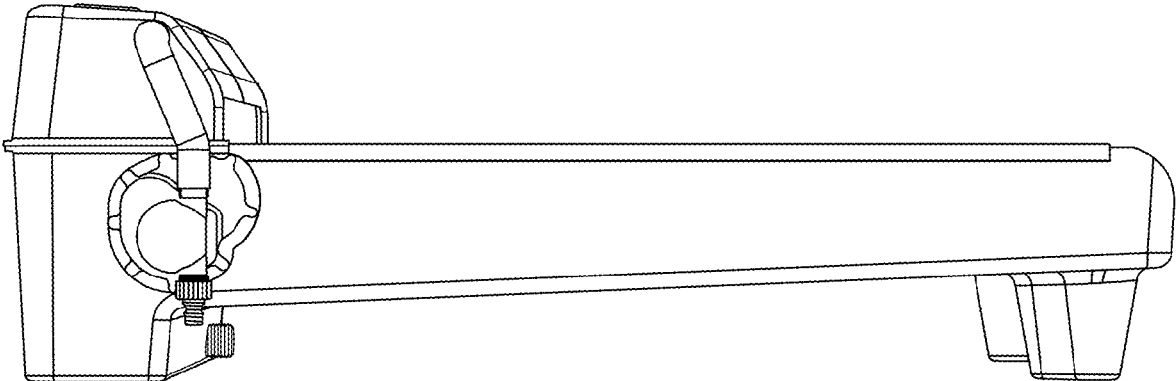


FIG. 5

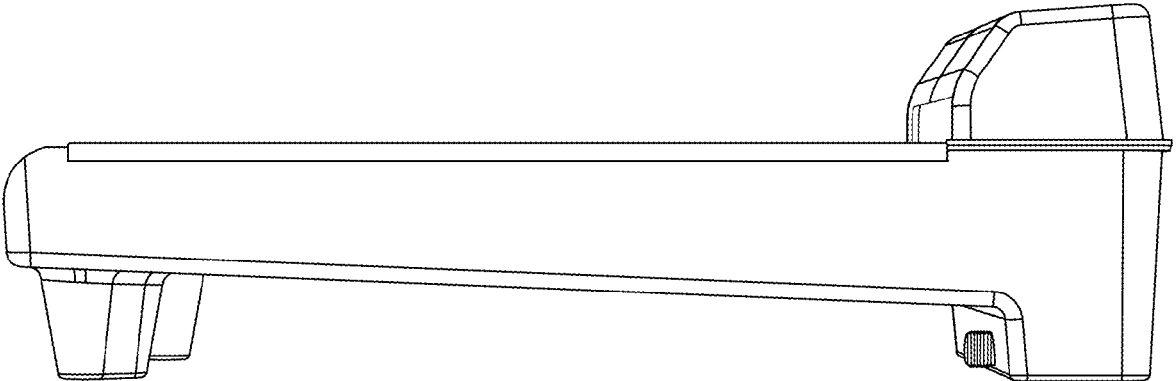


FIG. 6

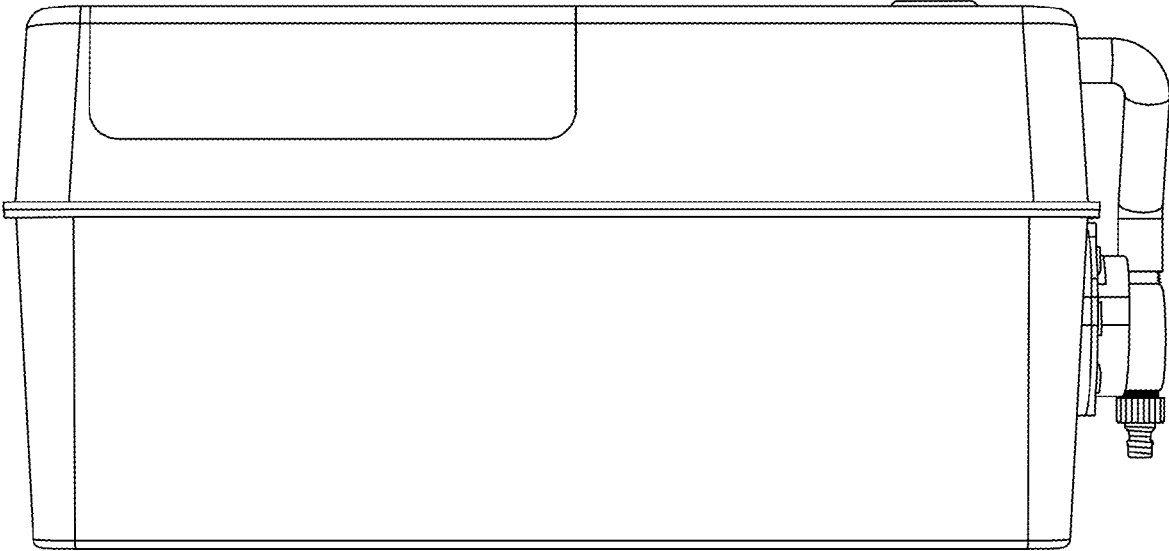


FIG. 7

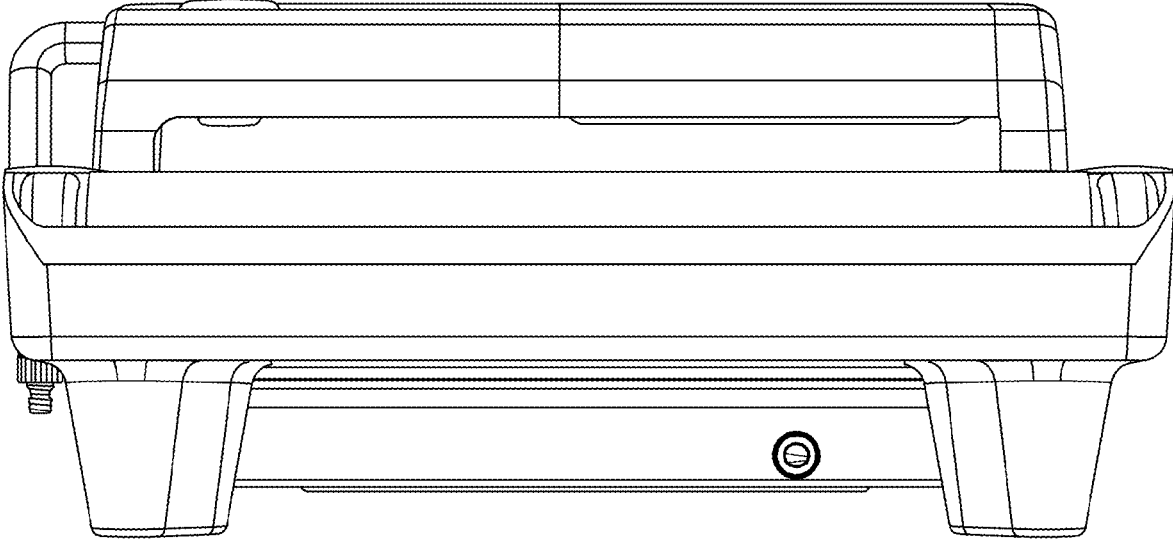


FIG. 8

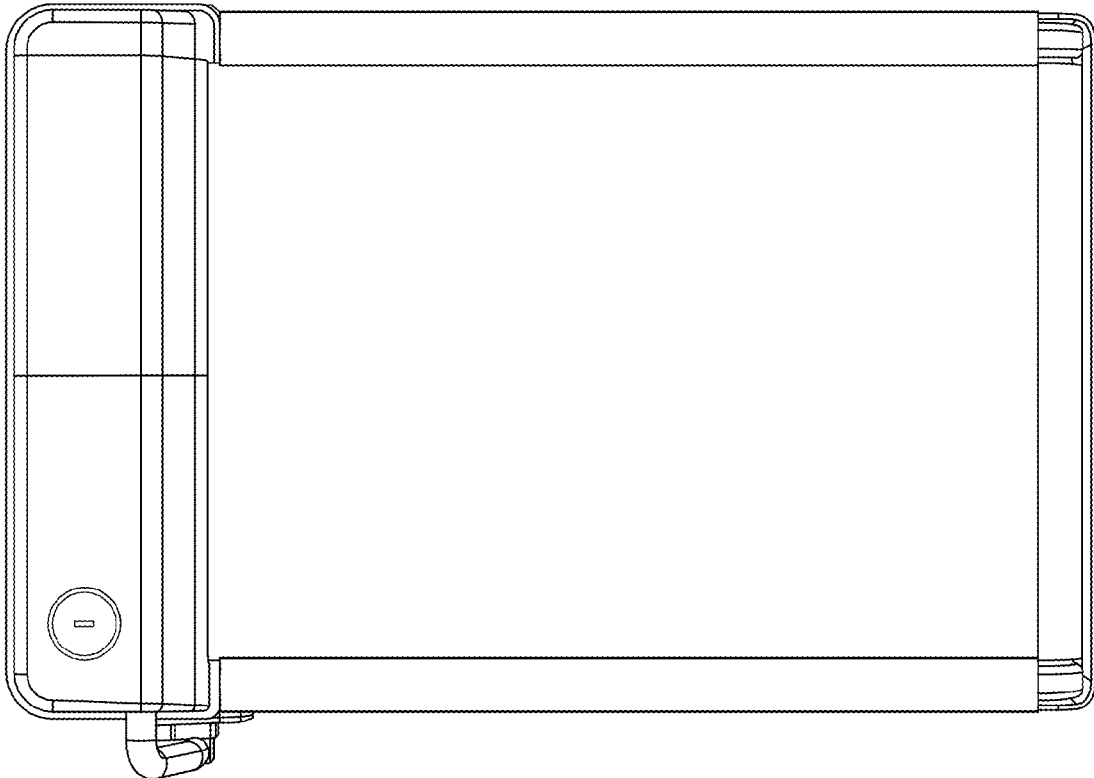


FIG. 9

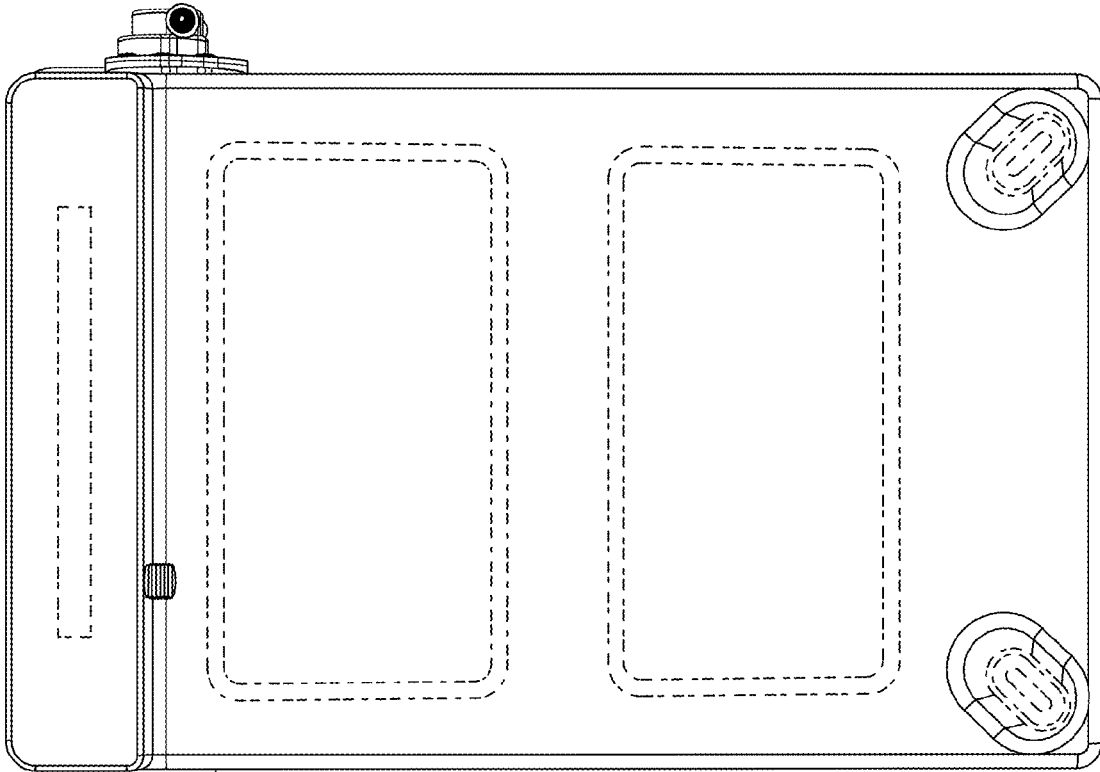


FIG. 10