



(86) Date de dépôt PCT/PCT Filing Date: 2007/03/13
 (87) Date publication PCT/PCT Publication Date: 2007/09/20
 (45) Date de délivrance/Issue Date: 2015/12/08
 (85) Entrée phase nationale/National Entry: 2008/09/11
 (86) N° demande PCT/PCT Application No.: US 2007/006339
 (87) N° publication PCT/PCT Publication No.: 2007/106495
 (30) Priorités/Priorities: 2006/03/13 (US60/743,471);
 2006/06/02 (US11/422,047); 2007/01/12 (US60/884,804);
 2007/01/17 (US60/885,305)

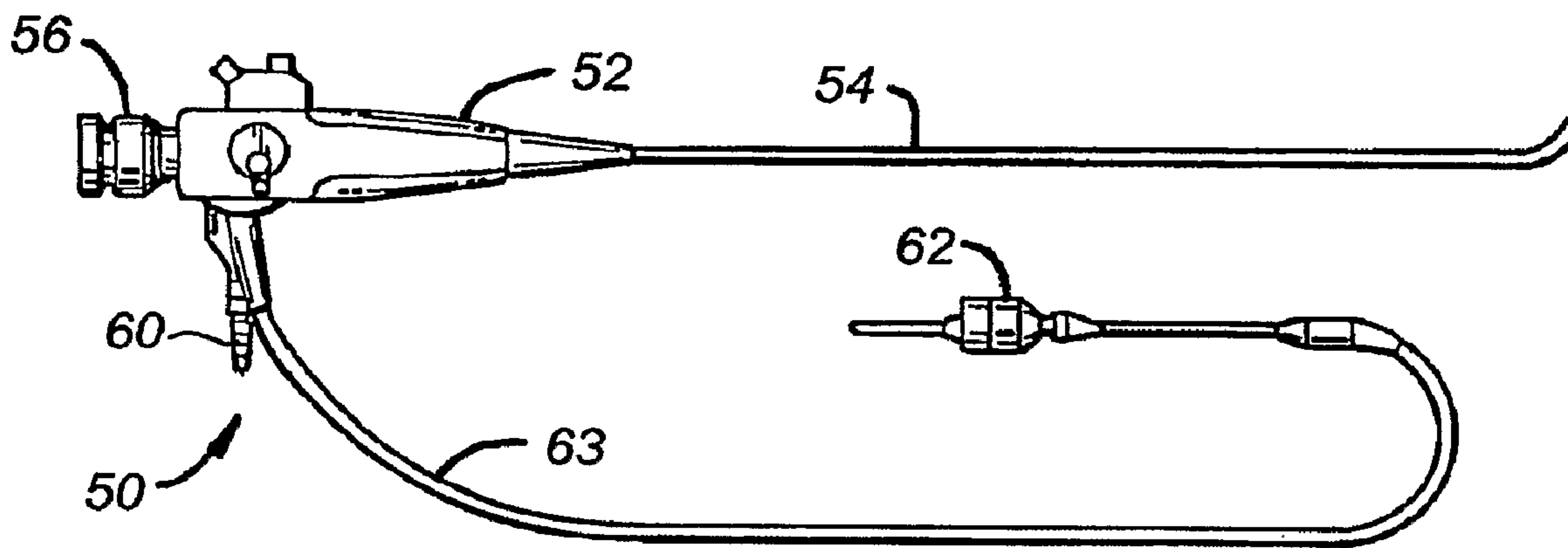
(51) Cl.Int./Int.Cl. *A61F 2/04* (2013.01)

(72) Inventeurs/Inventors:
 THOMPSON, DAVID, US;
 ARONSON, NATHAN, US;
 WU, PATRICK, US;
 LEHRBERG, DAVID, US;
 MATHIS, MARK, US;
 VASQUEZ, JAIME, US

(73) Propriétaire/Owner:
 PNEUMRX, INC., US

(74) Agent: SMART & BIGGAR

(54) Titre : DISPOSITIFS, SYSTEMES ET PROCEDES NON INVASIFS DE REDUCTION DU VOLUME PULMONAIRE
 (54) Title: MINIMALLY INVASIVE LUNG VOLUME REDUCTION DEVICES, METHODS, AND SYSTEMS



(57) Abrégé/Abstract:

A lung volume reduction system is disclosed comprising an implantable device adapted to be delivered to a lung airway of a patient in a delivery configuration and to change to a deployed configuration to bend the lung airway. The invention also discloses a method of bending a lung airway of a patient comprising inserting a device into the airway in a delivery configuration and bending the device into a deployed configuration, thereby bending the airway.

(12) INTERNATIONAL APPLICATION PUBLISHED UNDER THE PATENT COOPERATION TREATY (PCT)

(19) World Intellectual Property Organization
International Bureau



(43) International Publication Date
20 September 2007 (20.09.2007)

PCT

(10) International Publication Number
WO 2007/106495 A3

(51) International Patent Classification:
A61F 2/04 (2006.01)

(74) Agents: **BARRISH, Mark D.** et al.; Townsend and Townsend and Crew LLP, Two Embarcadero Center, 8th Floor, San Francisco, CA 94111-3831 (US).

(21) International Application Number:
PCT/US2007/006339

(81) Designated States (*unless otherwise indicated, for every kind of national protection available*): AE, AG, AL, AM, AT, AU, AZ, BA, BB, BG, BR, BW, BY, BZ, CA, CH, CN, CO, CR, CU, CZ, DE, DK, DM, DZ, EC, EE, EG, ES, FI, GB, GD, GE, GH, GM, GT, HN, HR, HU, ID, IL, IN, IS, JP, KE, KG, KM, KN, KP, KR, KZ, LA, LC, LK, LR, LS, LT, LU, LY, MA, MD, MG, MK, MN, MW, MX, MY, MZ, NA, NG, NI, NO, NZ, OM, PG, PH, PL, PT, RO, RS, RU, SC, SD, SE, SG, SK, SL, SM, SV, SY, TJ, TM, TN, TR, TT, TZ, UA, UG, US, UZ, VC, VN, ZA, ZM, ZW.

(22) International Filing Date: 13 March 2007 (13.03.2007)

(25) Filing Language: English

(26) Publication Language: English

(30) Priority Data:
60/743,471 13 March 2006 (13.03.2006) US
11/422,047 2 June 2006 (02.06.2006) US
60/884,804 12 January 2007 (12.01.2007) US
60/885,305 17 January 2007 (17.01.2007) US

(84) Designated States (*unless otherwise indicated, for every kind of regional protection available*): ARIPO (BW, GH, GM, KE, LS, MW, MZ, NA, SD, SL, SZ, TZ, UG, ZM, ZW), Eurasian (AM, AZ, BY, KG, KZ, MD, RU, TJ, TM), European (AT, BE, BG, CH, CY, CZ, DE, DK, EE, ES, FI, FR, GB, GR, HU, IE, IS, IT, LT, LU, LV, MC, MT, NL, PL, PT, RO, SE, SI, SK, TR), OAPI (BF, BJ, CF, CG, CI, CM, GA, GN, GQ, GW, ML, MR, NE, SN, TD, TG).

(71) Applicant (*for all designated States except US*):
PNEUMRX, INC. [US/US]; 530 Logue Avenue, Mountain View, CA 94043 (US).

(72) Inventors; and

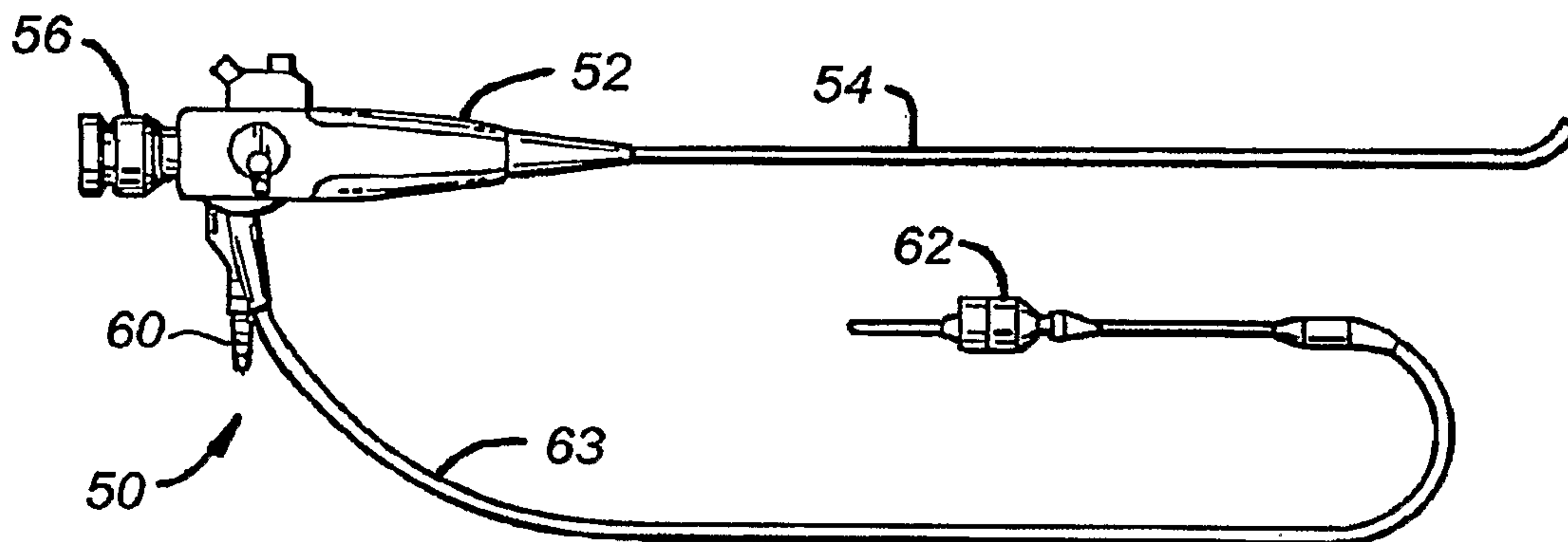
(75) Inventors/Applicants (*for US only*): **THOMPSON, David** [US/US]; 793 Almondwood Way, San Jose, CA 95120 (US). **ARONSON, Nathan** [US/US]; 178 Terrace Avenue, Chico, CA 95926 (US). **WU, Patrick** [US/US]; 457 Sierra Vista Avenue, Unit 12, Mountain View, CA 94043 (US). **LEHRBERG, David** [US/US]; 452 Lotus Lane, Mountain View, CA 94043 (US). **MATHIS, Mark** [US/US]; 44619 Parkmeadow Drive, Fremont, CA 94539 (US). **VASQUEZ, Jaime** [US/US]; 2563 Bishop Ave, Fremont, CA 94536 (US).

Published:

- with international search report
- before the expiration of the time limit for amending the claims and to be republished in the event of receipt of amendments

(88) Date of publication of the international search report:
17 July 2008

(54) Title: MINIMALLY INVASIVE LUNG VOLUME REDUCTION DEVICES, METHODS, AND SYSTEMS



(57) Abstract: A lung volume reduction system is disclosed comprising an implantable device adapted to be delivered to a lung airway of a patient in a delivery configuration and to change to a deployed configuration to bend the lung airway. The invention also discloses a method of bending a lung airway of a patient comprising inserting a device into the airway in a delivery configuration and bending the device into a deployed configuration, thereby bending the airway.

WO 2007/106495 A3

MINIMALLY INVASIVE LUNG VOLUME REDUCTION DEVICES, METHODS, AND SYSTEMS

BACKGROUND OF THE INVENTION

[0003] Field of the Invention: Devices, systems and methods are described for treating lungs. The devices, systems and methods improve the quality of life and restore lung function for patients suffering from emphysema. The systems consist of an implant and a delivery catheter that can be advanced through tortuous anatomy and actuated to retain a pre-determined shape and rigidity. The actuated implant modifies the shape of the airways and locally compresses lung parenchyma to cause volume reduction and thereby tensions the lung parenchyma to restore elastic recoil. Systems and devices are also included that deploy and actuate the implantable devices, as well as systems and devices designed for recapture of the implanted device.

[0004] Background of the Invention: Current medical literature describes emphysema as a chronic (long-term) lung disease that can get worse over time. It's usually caused by smoking. Having emphysema means some of the air sacs in your lungs are damaged, making it hard to breathe. Some reports indicate that emphysema is the fourth largest cause of mortality in the U.S., affecting an estimated 16-30 million U.S. citizens. Each year approximately 100,000 sufferers die of the disease. Smoking has been identified as a major cause, but with ever increasing air pollution and other environmental factors that negatively affect pulmonary patients; the number of people affected by emphysema is on the rise.

[0005] A currently available solution for patients suffering from emphysema is a surgical procedure called Lung Volume Reduction (LVR) surgery whereby diseased lung is resected and the volume of the lung is reduced. This allows healthier lung tissue to expand into the volume previously occupied by the diseased tissue and allows the diaphragm to recover. High mortality and morbidity may be associated with this invasive procedure. Several minimally invasive investigational therapies exist that aim at improving the quality of life and restoring lung function for patients suffering from emphysema. These potential therapies include mechanical devices and biological treatments. The Zephyr™ device by Emphasys (Redwood City CA) and the IBV™ device by Spiration (Redmond WA) are mechanical one way valve

devices. The underlying theory behind these devices is to achieve absorptive atelectasis by preventing air from entering diseased portion of the lung, while allowing air and mucous to pass through the device out of the diseased regions.

[0006] The Watanabe spigot is another mechanical device that completely occludes the airway, thereby preventing air from entering and exiting the lung. Collateral ventilation (interlobar and intralobar - porous flow paths that prevent complete occlusion) prevents atelectasis and this is shown in the published Emphasys VENT clinical trial data, where approximately 1/3 or fewer of the patients actually achieve measurable atelectasis. The lack of atelectasis or lung volume reduction drastically reduces the effectiveness of such devices. Other mechanical devices include means of deploying anchors into airways and physically deforming airways by drawing the anchors together via cables.

[0007] Biological treatments utilize tissue engineering aimed at causing scarring at specific locations. Unfortunately, it can be difficult to control the scarring and to prevent uncontrolled proliferation of scarring.

SUMMARY OF THE INVENTION

[0008] An aspect of the invention includes a lung volume reduction system comprising an implantable device adapted to be delivered to a lung airway of a patient in a delivery configuration and to change to a deployed configuration to bend the lung airway. The system has a delivery configuration that is resiliently bendable into a plurality of shapes. The system can have a deployed configuration that has a rigid shape. Additionally, the system may be elastically strained into a deliverable shape whereby elastic recoil allows it to recover back to its manufactured shape that provides a load on lung tissue. Further shapes include: c-shape; S-shape; and Spiral, baseball seam shape to name a few.

[0009] The system can further be adapted to comprise an actuator adapted to be operated from outside the patient to change the implantable device from the delivery configuration to the deployed configuration. The actuator comprises an actuation element connected to a distal end of the implantable device and adapted to be moved proximally to bend the device. As will be appreciated by those skilled in the art, the distal end includes the front end of the device and

can include, for example, from the mid-point along the length to the end furthest away from the user.

[0010] In some embodiments, the system can further be adapted to comprise a lock adapted to lock the device in the deployed configuration. In some embodiments, the lock comprises a ratchet. In other embodiments, the lock can be unlocked for retrieval. The system can further comprise a connector adapted to connect the implantable device to the actuator and to disconnect the device from the actuator after actuation. The connector may be used to connect two or more devices together. The device can be configured to comprise a member having a plurality of notches adapted to permit the device to bend more easily in one direction than in another. In some embodiments, the device can further be adapted to self-actuate from the delivery configuration to the deployed configuration. The devices of the invention can be comprised of shape memory material. Suitable shape memory material are known in the art and include the nickel-titanium alloy Nitinol. In some embodiments a plurality of shape memory elements can be configured to form a flexible overtube. In other embodiments, the device comprises a plurality of asymmetric segments and a connecting element adapted to connect the segments. In still other embodiments, the device is adapted to be delivered through a working channel of a bronchoscope. In still other embodiments, the device is adapted to be delivered from a loading cartridge through a catheter that is adapted to fit through a working channel of a bronchoscope. The system may include a guide wire for steering to specific bronchi, a twist-on wire connector to assist with grasping the wire to rotate it, a dilator to provide a smooth transition from the wire to a delivery catheter and a loading cartridge to contain the implant system in a deliverable condition. The device can further be adapted to provide an anchor to anchor the device within the airway. In still other embodiments, the system further comprises a delivery tool adapted to deliver the device to a treatment site in the airway. In yet other embodiments, the system further comprises a retrieval tool adapted to retrieve the device from the airway after delivery. The retrieval device can further be adapted to unlock the device from the deployed configuration. As will be appreciated by those skilled in the art, the device can be configured to have a fixed length or a variable length.

[0011] A method of bending a lung airway of a patient is also described. The method comprising inserting a device into the airway in a delivery configuration and bending the

device into a deployed configuration, thereby bending the airway. In some embodiments of the method, the bending step comprises operating an actuator outside the patient, the actuator being operatively connected to the device. The method further comprises locking the device into the deployed configuration. The method can also comprise unlocking the device to permit it to return to the delivery configuration. In yet other embodiments, the method can include disconnecting the actuator from the device. In some instances, the device comprises a plurality of asymmetric segments, inserting comprises delivering the plurality of asymmetric segment to the airway. In still other embodiments, the bending comprises rotating at least one asymmetric segment with respect to at least another asymmetric segment. In some instances, the device comprises shape memory material, bending comprises permitting the device to bend itself. The method can also further comprise the step of delivering an overtube and subsequently delivering a shape memory element to the overtube. Depending upon the desired result, the bending can comprise bending the device into a substantially C shape; bending the device into a substantially S shape; or bending the device into a substantially spiral shape. Additionally, the inserting step can further comprise delivering the device through a working channel of a bronchoscope. In yet other embodiments, the device can be elastically strained into a deliverable shape, advanced through and out the end of a bronchoscope whereby elastic recoil drives the system, to recover back to its original manufactured shape. Finally, the method can further comprise the step of retrieving the device from the airway.

[0012] The design of the device facilitates strain relief on both ends of the device. Further the ends of the device in either the delivery or deployed state are more resilient.

[0013] The implant length can range from, for example, 2 cm to 10 cm. Typically, the length is 5 cm. The diameter of the device can range from 1.00 mm to 3.0 mm, preferably 2.4 mm. The device is used with a catheter which has a working length of 60 cm to 200 cm, preferably 90 cm.

[0014] Suitable materials for use in constructing the implant, delivery or retrieval systems include materials selected from: metals (stainless steel, nickel-titanium alloy (Nitinol), titanium); polymers (durable and bioabsorbable); ultra high molecular weight polyethylene (UHMWPE), polycarbonate, silicone, urethane, Teflon® (available from DuPont), fluoropolymers, Poly (d, l-lactic-co-glycolic acid), poly(glycolic acid caprolactone),

poly(lactide co-glycolides), as well as any other material that would be considered suitable by a person of skill in the art. Other materials include polymers (nylon, Pebax®, polyetheretherketone (PEEK), polycarbonate, Acrylonitrile Butadiene Styrene (ABS), high density polyethylene, low density polyethylene, polypropylene, polyimide, urethane, polyethylene, and terephthalate), as well as any other material that would be considered suitable by a person of skill in the art. One or more materials can be employed in any of the embodiments described.

[0015] In one embodiment, the device is constructed from a metallic or polymeric tube with slots separated by specific distances that allow preferential bending of the tube where the slots are oriented. In another embodiment, the implant is composed of short segments of metallic or polymeric tubes or cylinders.

[0016] Aspects of the invention also include devices adapted to deliver and/or retrieve the implant. The device can be configured to pull or push the actuation device; lock the device in a particular configuration; unlock the device; maintain the device at a temperature that facilitates implantation; manipulates the proximal end of the device to facilitate retrieval; and/or controls the torque on the device.

[0017] The delivery catheter construction includes a stainless steel hypotube, stainless steel tight-pitch coil, polymeric tube (polyimide, Nylon, Pebax® (available from Ato Chimie), Teflon®, fluoropolymers) with stainless steel reinforcement (braided, axial).

[0018] In operation the devices of the invention are minimally invasive and can be used with a bronchoscope procedure. There is no incision, and no violation of the pleural space. Collateral ventilation does not affect the effectiveness. The devices can be used for homogeneous and heterogeneous emphysema.

[0019] There is provided a system for use with a patient having a lung with an airway, and with a bronchoscope having a proximal working head, a distal end insertable distally into the lung, a working channel therebetween, and a scope oriented so as to acquire an image from within the airway, the airway having an airway path prior to treatment, the system comprising: an implant including an elongate body extending between a proximal end and a distal end, the elongate body having a relatively straight configuration and a bent configuration, the elongate body in the straight configuration extending along an axis and advanceable within the working

channel into the airway so as to extend along the path of the airway and within the image from the bronchoscope, the elongate body of the implant configured to deploy from the straight configuration to the bent configuration within the airway so as to move the elongate body adjacent the distal end laterally from the axis and impart bending force on the airway such that the path of the airway bends.

[0020a] There is also provided a system for use with a bronchoscope and for treating a patient, the patient having a lung with lung tissue including an airway, the airway having an airway path prior to treatment, the bronchoscope having a working channel and a viewing scope for viewing distally within the airway, the system comprising: a lung airway delivery catheter having a proximal end and a distal end with a delivery lumen therebetween, the distal end of the delivery catheter configured to be advanced distally from the working channel of the bronchoscope along the path of the airway; an implant having an elongate body receivable within the delivery lumen and that is configured to be deployed from the delivery lumen into the airway of the lung of the patient, the elongate body configured to extend along an axis in a first configuration when disposed within the delivery catheter for axial insertion along the path of the airway, the elongate body of the implant configured to be reshaped from the first configuration to a second configuration within the airway, the elongate body in the second configuration configured to form at least one loop or bend to respectively impart at least one similarly shaped loop or bend in the airway so as to increase tension of the lung tissue and allow air flow along the airway past the implant when deployed in the second configuration.

[0020b] There is further provided a system for use with a bronchoscope and for treating a patient, the patient having a lung with lung tissue including an airway, the airway having an airway path prior to treatment, the bronchoscope having a working channel and a viewing scope for viewing distally within the airway, the system comprising: a lung airway delivery catheter having a proximal end and a distal end with a delivery lumen therebetween, the distal end of the delivery catheter configured to be advanced distally from the working channel of the bronchoscope along the path of the airway; an implant having an elongate body with an atraumatic tip mounted on each of a first end and a second end of the elongate body so as to minimize trauma to the lung airway when the implant is deployed, the implant receivable within the delivery lumen and configured to be deployed from the delivery lumen into the

airway of the lung of the patient, the elongate body configured to extend along an axis in a first configuration when disposed within the delivery catheter for axial insertion along the path of the airway, the elongate body of the implant configured to be reshaped from the first configuration to a second configuration within the airway, the elongate body in the second configuration configured to bend laterally away from the axis so as to bend the path of the airway.

[0020c] There is further provided a system for use with a bronchoscope and for treating a patient, the patient having a lung with lung tissue including an airway, the airway having an airway path prior to treatment, the bronchoscope having a working channel and a viewing scope for viewing distally within the airway, the system comprising: a lung airway delivery catheter having a proximal end and a distal end with a delivery lumen therebetween, the distal end of the delivery catheter configured to be advanced distally from the working channel of the bronchoscope along the path of the airway; an implant having an elongate body receivable within the delivery lumen and that is configured to be deployed from the delivery lumen into the airway of the lung of the patient, the elongate body configured to extend along an axis in a first configuration when disposed within the delivery catheter for axial insertion along the path of the airway, the elongate body of the implant configured to be reshaped from the first configuration to a second configuration within the airway, the elongate body in the second configuration configured to resemble a baseball seam shape.

[0020] Embodiments of the lung volume reduction system can be adapted to provide an implant that is constrained in a first configuration to a relatively straighter delivery configuration and allowed to recover in situ to a second configuration that is less straight configuration. Devices and implants can be made, at least partially, of spring material that will fully recover after having been strained at least 1%, suitable material includes a metal, such as metals comprising Nickel and Titanium. In some embodiments, the implant of the lung volume reduction system is cooled below body temperature in the delivered configuration. In such an embodiment, the cooling system can be controlled by a temperature sensing feedback loop and a feedback signal can be provided by a temperature transducer in the system. The device can be configured to have an A_f temperature adjusted to 37 degrees Celsius or colder. Additionally, at least a portion of the metal of the device can be transformed to the martensite phase in the

delivery configuration and/or can be in an austenite phase condition in the deployed configuration.

[0021] In another embodiment of the invention, a lung volume reduction system comprising an implantable device that is configured to be deliverable into a patient's lung and configured to be reshaped to make the lung tissue that is in contact with the device more curved. In some embodiments, the device is configured to be reshaped to a permanent second configuration. Additionally, or alternatively, the device can be adapted and configured to have a first shape and is configured to be strained elastically to a deliverable shape. Additionally, in some embodiments, the implantable device has a first shape and is adapted to be elastically constrained by a delivery device to a deliverable configuration whereby removal of the delivery device allows the implant to recoil and be reshaped closer to its first shape. In still other embodiments, the tissue that is in contact with the device is that of blood vessel, airway, lung dissection fissure or a combination of these. The delivered device can be reshaped into a shape that is shorter in length than the deliverable implant configuration. Additionally, the implant

can be adapted and configured to provide a distal end and a proximal end and the distance between the two ends is reduced when the implant is reshaped. Further, the implant can be configured to occupy less than the entire lumen cross section area of a lung airway; less than the entire lumen cross section area of a blood vessel; and/or have a deliverable shape that fits within a cylindrical space that is 18mm in diameter or smaller. In some embodiments, the surface area of the implant that comes into contact with tissue is larger than 1.0^{-6} square inches per linear inch of length of the implant. In other embodiments, the implant is coated with material that reduces the rate of wound healing, tissue remodeling, inflammation, generation of granular tissue or a combination of these. In still other embodiments, the reshaped implant is adapted and configured to lie within a single plane. Additionally, the reshaped implant can take on a variety of shapes, including, for example, the shape of a C, the shape of an S, or any other suitable shape. In still other embodiments, the reshaped implant is adapted and configured to lie within more than a single plane. In multiplanar embodiments, the reshaped implant is adapted and configured to take on a variety of shapes, including, for example, the shape of a baseball seam, or the shape of a coil. In some embodiments, the reshaped implant has more than one radius of curvature. Additionally, systems are provided wherein more than one implant is delivered and reshaped. In such systems, the devices can be delivered to separate locations. Alternatively, the devices can be coupled, either before or after delivery. Additionally, the implants can be deployed to partially occupy a common region in the lung. In still further embodiments, the lung volume reduction system can provide implantable devices made of a resiliently bendable material. The system can further be adapted to comprise an actuator adapted to be operated from outside the patient to reshape the implant. Suitable mechanisms for actuating the device include, catheters. Additionally, the catheter can be further adapted and configured to constrain the implant in a deliverable configuration. In some embodiments, the system further comprises a pusher adapted to deliver the implant into a patient's lung. Additionally, the implant can be adapted and configured to have blunt distal and proximal ends, such as with the use of balls positioned thereon. Additionally, a central wire can be provided that spans the length of the device. A pusher can be provided that is releasably coupled to the device.

[0022] In another embodiment, the system provides a recapture device adapted and configured to remove the implant from a patient's lungs. The recapture device can be adapted to couple at an end of the device. Additionally, the recapture device can be configured to operate within a catheter or bronchoscope working channel lumen. A resilient wire can also be provided to guide a delivery catheter. In still other embodiments, the system further comprises a resilient dilator device that fits in the catheter lumen. The dilator device can be further adapted and configured to provide a lumen that accommodates a resilient wire. In at least some embodiments, the lung volume reduction system implant has an arc length that remains constant.

[0023] In yet another embodiment of the invention, a lung volume reduction device is provided that comprises an elongate body adapted to be inserted into a lumen adjacent lung tissue, the device having a delivery configuration and a deployed configuration more curved than the delivery configuration. In some embodiments, the elongate body is more rigid in the deployment configuration than in the delivery configuration. In still other embodiments, at least a portion of the elongate body comprises a rigid arc when in the deployment configuration having rigidity greater than that of lung tissue. In some embodiments, the rigid arc extends from a point in a proximal half of the device to a point in the distal half of the device. In still other embodiments, the elongate body comprises a plurality of rigid arcs when in the deployment configuration. The plurality of rigid arcs can also be positioned such that the arcs are not at the proximal or distal ends of the elongate body.

[0024] In another embodiment of the invention, a lung volume reduction system is provided comprising an implantable device that is configured to be deliverable into a patient's lung and configured to reshape lung tissue while allowing fluid to flow both directions past the implant.

[0025] In still another embodiment of the invention, a lung volume reduction system is provided comprising an implantable device that is configured to be deliverable into a patient's lung configured to be reshaped to a shape that is not axi-symmetric to bend lung tissue.

[0026] According to a described method, a method of reducing a patient's lung volume is provided comprising: inserting a lung volume reduction device into a patient lumen, such as a lung airway, adjacent lung tissue in a delivery configuration, the device comprising an elongate

body; and moving the elongate body from the delivery configuration to a deployment configuration more curved than the delivery configuration. The step of moving can further comprise making at least a portion of the elongate body more rigid. In another embodiment, the step of moving can comprise forming a rigid arc in the elongate body, the rigid arc having a rigidity greater than that of the lung tissue. In yet another embodiment, the step of moving can further comprise forming a plurality of rigid arcs in the elongate body. In still another embodiment, the step of moving can further comprise forming the plurality of rigid arcs away from a proximal end or a distal end of the elongate body.

[0027] Pursuant to another described method, a method of bending a lung airway of a patient is provided comprising inserting a device into the airway in a delivery configuration and bending the device into a deployed configuration to reduce the radius of curvature of at least a portion the airway.

[0028] Still another described method provides a method of bending a lung airway of a patient comprising inserting an implantable device into the airway in a delivery configuration and bending the device into a deployed configuration to reduce the radius of curvature of at least a portion the airway. In an embodiment, the step of bending can further comprise operating an actuator outside the patient, the actuator being operatively connected to the device. In yet another embodiment, the step of bending further comprising locking the device into the deployed configuration. In still another embodiment, the step of bending further comprises unlocking the device to permit it to return to the delivery configuration. Additionally, in some embodiments, the step of bending can further comprise disconnecting the actuator from the device. Suitable devices for the methods of the invention include devices that comprise a plurality of asymmetric segments, inserting comprises delivering the plurality of asymmetric segments to the airway as well as devices comprising shape memory material. Additionally, the step of bending can further comprise rotating at least one asymmetric segment with respect to at least another asymmetric segment. An additional step of some embodiments of the method can further comprise delivering a catheter and delivering a shape memory element through the catheter. After delivery of the device, according to the methods provided, the device can then bend into a substantially C shape, S shape, spiral shape, coil shape of one or more radiuses, as well as any shape that is within one or more planes. In an additional embodiment of the

method, the step of inserting further comprises delivering the device through a working channel of a bronchoscope. In yet another step of the method, the method further comprises retrieving the device from the airway. Embodiments of the method can further provide the step of providing strain relief to an end of the device during deployment. The delivery configuration of the device can be achieved by transforming metal to a martensite phase or by cooling the implant, such as by delivering liquids or gas. Cooled liquids or gases can be at delivered at temperatures that are at or below body temperature, are 37 degrees Celsius or lower in temperature, or at or below zero degrees Celsius. In some methods of the invention, the implant and surrounding tissues are cooled below zero degrees Celsius, or at or below minus fifteen degrees Celsius.

[0029] In yet another method, a method of reducing lung volume by bending a lung airway of a patient is provided comprising inserting an implantable device into the airway in a delivery configuration and bending the device into a deployed configuration to change the radius of curvature of at least a portion of the airway.

[0030] In another method, a method is provided for reducing lung volume in a patient comprising inserting a device into an airway and causing bending of the airway. The method can further include the step of inserting a second device into a second airway; connecting the first and second devices to each other; bending the first device to a the first device to a deployed condition to bend or deform the airway at a first location; and bending the second device to a deployed condition to bend the airway at a second location. Additionally, the method can include connecting two or more devices, such as connecting the devices to a common airway. An additional step of the method can include applying pressure on the junction where the airways join. Still another step of the method can include connecting bending elements that are individually placed into one or more airways. Yet another step can include bending one or more bending elements that are placed in one or more airways. An additional step includes configuring the device to make the airway conform to the shape of the implant in a deployed condition.

BRIEF DESCRIPTION OF THE DRAWINGS

[0032] A better understanding of the features and advantages of the present invention will be obtained by reference to the attached documents that set forth illustrative embodiments, in which the principles of the invention are utilized, and the accompanying drawings of which:

[0033] FIGS. 1A-C illustrates the anatomy of the respiratory system;

[0034] FIGS. 2A-D illustrate a bronchoscope;

[0035] FIG. 3 illustrates a bronchoscope in combination with a delivery device for a lung volume reduction device according to the invention;

[0036] FIGS. 4A-F illustrate a lung volume reduction device according to an aspect of the invention;

[0037] FIGS. 5A-B illustrate a lung volume reduction device according to another aspect of the invention;

[0038] FIGS. 6A-D illustrate a lung volume reduction device according to another aspect of the invention;

[0039] FIG. 7 illustrates a lung volume reduction device according to another aspect of the invention;

[0040] FIG. 8 illustrates a lung volume reduction device encased in a sheath;

[0041] FIGS. 9A-D illustrate a lung volume reduction device according to another aspect of the invention;

[0042] FIGS. 10A-B illustrate segments suitable for use in configuring a lung volume reduction device according to an aspect of the invention;

[0043] FIGS. 11A-F illustrate a plurality of individual wires formed of shape memory material that can be deployed to form a lung volume reduction device and a delivery device;

[0044] FIG. 12 illustrates a lock feature suitable for use at a proximal end of a lung volume reduction device;

[0045] FIGS. 13A-B illustrate a stopper adapted to hold tension on a lung volume reduction device;

[0046] FIGS. 14A-C illustrates a self locking mechanism suitable for use with the lung volume reduction devices of the invention;

[0047] FIGS. 15A-D illustrate a decoupler system;

- [0048] FIG. 16A-C illustrates a decoupling system;
- [0049] FIGS. 17A-B depict a mechanism for decoupling the delivery device from a lung volume reduction device;
- [0050] FIG. 18 illustrates another mechanism suitable for use in decoupling the delivery device from a lung volume reduction device;
- [0051] FIGS. 19A-B illustrate yet another embodiment of a decoupling system;
- [0052] FIGS. 20A-E illustrate a hitch pin configuration useful in decoupling the delivery device;
- [0053] FIG. 21 illustrates an activation mechanism suitable for use with the devices of the invention;
- [0054] FIG. 22 illustrates an alternative mechanism for proximally controlling the deployment of the device;
- [0055] FIG. 23 illustrates a spur gear suitable for use with control mechanisms of the invention;
- [0056] FIG. 24 illustrates a proximal control device for actuating an implant;
- [0057] FIG. 25 illustrates another proximal control device and delivery catheter system for actuating an implant while maintaining a desired temperature at a distal end;
- [0058] FIG. 26 illustrates yet another proximal control device for use in recapture of an implanted device;
- [0059] FIGS. 27A-B illustrates an alternative embodiment of a retrieval device;
- [0060] FIGS. 28A-B illustrate device components adapted to engage each other;
- [0061] FIGS. 29A-C illustrate another retrieval mechanism;
- [0062] FIGS. 30A-B illustrate a retrieval device comprising a snare wire;
- [0063] FIGS. 31A-D illustrates devices in a variety of deployed conditions;
- [0064] FIG. 32 illustrates a lung volume reduction device in combination with a delivery catheter;
- [0065] FIGS. 33A-C illustrate a variety of device configurations with atraumatic tips;
- [0066] FIGS. 34A-B illustrate a withdrawal system having a blade to separate the device from the surrounding tissue;
- [0067] FIGS. 35A-C illustrate a device implanted within the lungs;

- [0068] FIG. 36A illustrates a method steps for implanting the device;
- [0069] FIG. 36B illustrates a method steps for implanting the device;
- [0070] FIG. 37 illustrates a device configuration;
- [0071] FIG. 38 illustrates a device in a loading cartridge;
- [0072] FIG. 39 illustrates a long device configuration;
- [0073] FIG. 40 illustrates a device configuration with a wire support frame;
- [0074] FIG. 41 illustrates a device configuration with a covering;
- [0075] FIG. 42 illustrates a device configuration with a perforated covering;
- [0076] FIG. 43 illustrates a device configuration with an attached wire support frame;
- [0077] FIG. 44 illustrates a device configuration with an attached frame and covering;
- [0078] FIG. 45 illustrates a device configuration that is coupled to a second device;
- [0079] FIG. 46 illustrates a device configuration in a coil shape;
- [0080] FIG. 47 illustrates a length change from delivery to deployed;
- [0081] FIG. 48 illustrates a length change from delivery to deployed;
- [0082] FIG. 49 illustrates a system with bronchoscope, catheter, dilator, wire and a twist-on wire connector;
- [0083] FIG. 50 illustrates a system in an airway with device ready to deliver; and
- [0084] FIG. 51 illustrates a system in an airway with the device delivered.

DETAILED DESCRIPTION OF THE INVENTION

[0085] By way of background and to provide context for the invention, **FIG. 1A** illustrates the respiratory system **10** located primarily within a thoracic cavity **11**. This description of anatomy and physiology is provided in order to facilitate an understanding of the invention. Persons of skill in the art, will appreciate that the scope and nature of the invention is not limited by the anatomy discussion provided. Further, it will be appreciated there can be variations in anatomical characteristics of an individual, as a result of a variety of factors, which are not described herein. The respiratory system **10** includes the trachea **12**, which brings air from the nose **8** or mouth **9** into the right primary bronchus **14** and the left primary bronchus **16**. From the right primary bronchus **14** the air enters the right lung **18**; from the left primary bronchus **16** the air enters the left lung **20**. The right lung **18** and the left lung **20**, together

comprise the lungs **19**. The left lung **20** is comprised of only two lobes while the right lung **18** is comprised of three lobes, in part to provide space for the heart typically located in the left side of the thoracic cavity **11**, also referred to as the chest cavity.

[0086] As shown in more detail in **FIG. 1B**, the primary bronchus, *e.g.* left primary bronchus **16**, that leads into the lung, *e.g.* left lung **20**, branches into secondary bronchus **22**, and then further into tertiary bronchus **24**, and still

further into bronchioles 26, the terminal bronchiole 28 and finally the alveoli 30. The pleural cavity 38 is the space between the lungs and the chest wall. The pleural cavity 38 protects the lungs 19 and allows the lungs to move during breathing. As shown in FIG. 1C, the pleura 40 defines the pleural cavity 38 and consists of two layers, the visceral pleurae 42 and the parietal pleurae 44, with a thin layer of pleural fluid therebetween. The space occupied by the pleural fluid is referred to as the pleural space 46. Each of the two pleurae layers 42, 44, are comprised of very porous mesenchymal serous membranes through which small amounts of interstitial fluid transude continually into the pleural space 46. The total amount of fluid in the pleural space 46 is typically slight. Under normal conditions, excess fluid is typically pumped out of the pleural space 46 by the lymphatic vessels.

[0087] The lungs 19 are described in current literature as an elastic structure that floats within the thoracic cavity 11. The thin layer of pleural fluid that surrounds the lungs 19 lubricates the movement of the lungs within the thoracic cavity 11. Suction of excess fluid from the pleural space 46 into the lymphatic channels maintains a slight suction between the visceral pleural surface of the lung pleura 42 and the parietal pleural surface of the thoracic cavity 44. This slight suction creates a negative pressure that keeps the lungs 19 inflated and floating within the thoracic cavity 11. Without the negative pressure, the lungs 19 collapse like a balloon and expel air through the trachea 12. Thus, the natural process of breathing out is almost entirely passive because of the elastic recoil of the lungs 19 and chest cage structures. As a result of this physiological arrangement, when the pleura 42, 44 is breached, the negative pressure that keeps the lungs 19 in a suspended condition disappears and the lungs 19 collapse from the elastic recoil effect.

[0088] When fully expanded, the lungs 19 completely fill the pleural cavity 38 and the parietal pleurae 44 and visceral pleurae 42 come into contact. During the process of expansion and contraction with the inhaling and exhaling of air, the lungs 19 slide back and forth within the pleural cavity 38. The movement within the pleural cavity 38 is facilitated by the thin layer of mucoid fluid that lies in the pleural space 46 between the parietal pleurae 44 and visceral pleurae 42. As discussed above, when the air sacs in the lungs are damaged 32, such as is the case with emphysema, it is hard to breathe. Thus, isolating the damaged air sacs to improve the elastic structure of the lung improves breathing.

[0089] A conventional flexible bronchoscope is described in U.S. Pat. No. 4,880,015 to Nierman for Biopsy Forceps. As shown in FIGS. 2A-D, bronchoscope 50 can be configured to be of any suitable length, for example, measuring 790 mm in length. The bronchoscope 50 can further be configured from two main parts, a working head 52 and an insertion tube 54. The working head 52 contains an eyepiece 56; an ocular lens with a diopter adjusting ring 58; attachments for the suction tubing 60 and a suction valve 61 and for the cold halogen light source 62 and 63; and an access port or biopsy inlet 64, through which various devices and fluids can be passed into the working channel 66 and out the distal end of the bronchoscope. The working head is attached to the insertion tube, which typically measures 580 mm in length and 6.3 mm in diameter. The insertion tube can be configured to contain fiberoptic bundles (which terminate in the objective lens 30 at the distal tip 68), two light guides 70, 70' and the working channel 66. The distal end of the bronchoscope has the ability to bend 72 anterior and posterior only, with the exact angle of deflection depending on the instrument used. A common range of bending is from 160 degrees forward to 90 degrees backward, for a total of 250 degrees. Bending is controlled by the operator by adjusting an angle lock lever 74 and angulation lever 76 on the working head. *See also*, U.S. Patent Pub. US 2005/0288550 A1 to Mathis for Lung Access Device and US 2005/0288549 A1 to Mathis for Guided Access to Lung Tissue.

[0090] FIG. 3 illustrates the use of a lung volume reduction delivery device 80 for delivering a lung volume reduction device comprising an implantable device with the bronchoscope 50. The lung volume reduction system, as described in further detail below, is adapted and configured to be delivered to a lung airway of a patient in a

delivered configuration and then changed to a deployed configuration. By deploying the device, tension can be applied to the surrounding tissue which can facilitate restoration of the elastic recoil of the lung. The device is designed to be used by an interventionalist or surgeon.

[0091] FIGS. 4A-F illustrate a lung volume reduction device *110* according to an aspect of the invention, with FIGS. 4B-F being cross-sections taken along the lines B-B, C-C, D-D, E-E and F-F of FIG. 4A, respectively. The lung volume reduction device *110* includes a member, such as tubular member *112*, which has c-cuts *114*, or notches, along its length to provide flexibility such that the device can be deflected off a longitudinal axis *A* when deployed. For example, where the cuts are oriented parallel each other along the length of the tubular member and are of the same or similar depth *D*, the device will tend to uniformly curve around an axis point when deployed (depicted below). As a result, the device preferentially curls or bends in a direction as determined by the shape of the slots. Different types (width, depth, orientation, etc.) of notches or slots can be used to achieve different operational effects and configurations of the deployed device without departing from the scope of the invention.

[0092] Positioned within a lumen *113* of the tubular member *112* is an actuation element *116* or pull-wire. The actuation element can have a circular circumference in cross-section, as depicted, or can have any other suitable cross-section. The actuation element *116* is anchored at one end of the device *110*, e.g. the distal end, by a cap *119*. The cap *119* can be bonded to the catheter and a distal crimp can be provided to crimp the cap into the pull wire. The rounded cap can also be provided to make the tip of the device atraumatic. The opposing end, e.g. proximal end, is adapted and configured to engage a mechanism *120*. The mechanism enables the device to be deployed. The mechanism can further be adapted and configured to enable the device to lock into a deployed configuration once the device *110* is deployed or unlocked to retrieve the device. The device *110* is configured to be detachable from a delivery catheter adapted to deliver the lung volume reduction device (discussed below).

[0093] Mechanism *120*, at the proximal end of the device, can be adapted to include a retainer ring *122* that engages a ratchet *124* that can be used to lock the device in place. The coupler *126* retains the ratchet *124* such that the ratchet locks the device in place once deployed. At the proximal end a retrieval adapter *130* is provided, such as a pull-wire eyelid. The retrieval adapter *130* is adapted and configured to enable the device to be retrieved at a later point during the procedure or during a subsequent procedure. The ratchet device has flanges that extend away from a central axis when deployed to lock the device in place.

[0094] Turning to FIGS. 5A-B, a lung volume reduction device *210* according to another aspect of the invention is depicted, with FIG. 5B being a cross-section taken along the lines B-B of FIG. 5A. Positioned within a lumen *213* of the tubular member *212* is an actuation element *216* or pull-wire. As described above, the actuation element can have a circular circumference in cross-section, as depicted, or can have any other suitable cross-section. The actuation element *216* is anchored at one end of the device *210*, e.g. the distal end, by a cap *219*. In this embodiment, the retainer ring *222* is configured to provide anchors *223*, *223'* or teeth that are adapted to deploy by retracting the retaining sheath of a delivery catheter. When deployed, the anchors *223* contact the airway and affix the device in place. The anchor *223* can be configured to be self-expanding such that the anchors extend away from a central axis *A* of the device *210* when deployed until the anchors approach or extend through (e.g., hook) the airway. The amount of expansion of the anchors will be controlled by the design and the materials used. For example, where a shape memory material is used, the anchors can be configured to extend away from the longitudinal wall of the tubular member by a predetermined angle α , as depicted ~ 10 degrees. The design of the anchor can further be driven by the length of the device. The anchors can be configured to catch on the airway when deployed in a manner similar to the way a stent catches within the vasculature, or the anchor can be designed to cause friction. Prior to deployment, the anchors are retrained by a retaining sheath (illustrated below).

[0095] FIGS. 6A-C illustrate yet another lung volume reduction device according to another aspect of the invention, with FIGS. 6B-C being cross-sections taken along the lines B-B, and C-C of FIG. 6A, respectively. As depicted in this embodiment, the lung volume reduction device 310 includes a member, such as tubular member 312, which has cuts 314, 314', or notches, along its length to provide flexibility such that the device can be deflected in more than one direction off a longitudinal axis A when deployed. In this embodiment, the notches are positioned on the member 312 on opposing sides of the member when the member is lying within a plane. For example, where the cuts are oriented parallel each other along the length of the tubular member and are of the same or similar depth D, the device will tend to uniformly curve around an axis point when deployed. In this embodiment, when deployed, the configuration of the notches would result in a deployed configuration that is "s"-shaped when the actuator element 316 is pulled proximally (*i.e.*, toward the user).

[0096] FIG. 7 illustrates yet another lung volume reduction device 410 according to another aspect of the invention. In this embodiment, the tubular member 412 has notches 414, 414', 414'' configured in a spiral pattern along its length. As a result, when the actuation element 416 is pulled proximally toward the user, the device bends to form a spiral as illustrated below.

[0097] FIG. 8 illustrates a lung volume reduction device 510 encased in a sheath 535. The sheath can be a polymeric elastic membrane, such as silicone. The sheath can prevent material from a body cavity from entering the lumen 513 of the tubular member 512. An actuation member 516 is provided within the lumen 513 of the tubular member 512.

[0098] FIGS. 9A-D illustrate yet another lung volume reduction device 610 according to another aspect of the invention, with FIGS. 9B-D being cross-sections taken along the lines B-B, C-C, and D-D of FIG. 9A, respectively. The lung volume reduction device 610 in this embodiment is comprised of individual segments 612, 612', 612''. The segments can be configured, for example, to have identical asymmetrical configurations such that a compressible space 614 is between each segment before the device is actuated by activating the actuator element 616. Each of the segments can further comprise a detent on a first surface which opposes a mating indentation on a surface of an opposing segment. As will be appreciated, a variety of components of devices disclosed herein can be configured to provide locking or mating mechanisms to facilitate actuation and operation. When the actuation element 616 is activated, the compressible space is reduced and the opposing surfaces of two adjacent segments come together to reduce or eliminate the space between them, depending upon the desired outcome. Where the segments have identical or nearly identical configurations, the device will evenly arc around an axis point. Where the segments do not have identical configurations, a variety of configurations can be achieved upon deployment depending on the configurations of the segments selected and the organization of the segments in the device. As with previous embodiments, the actuator element 616 is secured at one end, e.g., the distal end, by a cap 619. The segments can be formed as hypotubes or can be formed as injection molded or solid pieces. Use of segments can avoid fatigue on the device because the surfaces come in contact with one another during compression. Material selection can also prevent biometallic corrosion. Further, the segment design is conducive for mass production and maintenance of consistence for final shape and operation.

[0099] FIGS. 10A-B illustrate segments 712, 712' suitable for use in configuring a lung volume reduction device according to an aspect of the invention. The segments, as depicted, can be generally cylindrical with a pair of surfaces that are either parallel or non-parallel each other at either end. To achieve the operation described above, a first surface 713 could be perpendicular to the elongated tubular sides 715 of the element, while the opposing surface 717 is not perpendicular to the sides of the element (or parallel to the opposing first surface). A detent 721 can be provided on one surface that is configured to mate with an indentation 723 the second surface of another.

Other configurations, such as a key: keyway combination, can be used without departing from the scope of the invention. A central lumen 725 is provided through which an actuator element (described above) passes through. [00100] In another embodiment of the invention, as illustrated in FIGS. 11A-F, the device 810 is comprised of a plurality of individual wires formed of shape memory material that resume their shape when implanted. The wires can be heat treated to assume a specific shape, such as a C shape as described above. The wires are then individually implanted through a delivery system 850 such that when the first wire is implanted the diameter of the wire may be small enough that the wire cannot overcome the force applied by the surrounding tissue to assume its pre-configured shape. However, upon implantation of additional wires, the amount of strength available cumulatively among the wires does overcome the force applied by the tissue and the wires, together, achieve the desired shape (see FIG. 11F). As will be apparent to those of skill in the art, the strength of a shaped wire can vary depending on how much material is used. For example, a shaped wire with a larger cross-section will have higher strength than a shaped wire with a smaller cross-section. However, a larger diameter wire may be harder to implant because it would be harder to straighten into a shape suitable for deployment. Where many small wires are used, each wire individually is more flexible and can be deployed easier, but as a larger number of wires are implanted the combined strength increases. In some embodiments, it may be useful to configure the devices 810 such that the use of, for example, 50-100 wires will have the strength to overcome pressure applied by the tissue. The wires 810 can be deployed within a flexible polymer tube to keep the wires in proximity to each other.

[00101] FIG. 12 illustrates a lock feature positioned at the proximal end of a lung volume reduction device such as those discussed above. The lock feature enables the deployed device to retain tension on the actuation element (e.g. 116) when the device is deployed. The lock mechanism 930 has an eyelid 932 which is adapted to engage a pull string 933. The lock feature normally rests on the inside of the implant and pops open to engage the tabs 934 when the ratchet 936 moves proximally P relative to the slotted tube. A stopper 940 can also be employed in the lung volume reduction devices. A stopper is depicted in FIG. 13. The stopper is adapted to hold the tension on the deployed device. Once the actuation element has been engaged and the desired amount of tension is applied which results in a desired shape of the device, the stopper can be deployed to maintain the tension on the device. The stopper can be configured as depicted with a slotted tube forming flanges 942 adapted to fit within a cap 944. Each of the flanges can be formed of shape memory material such that the flanges will tend to extend away from a central axis A to engage the interior surface of the cap 944.

[00102] Turning now to FIGS. 14A-C, a self-locking mechanism 1040 suitable for the proximal end of a lung volume reduction device of the invention is depicted, with FIGS. 14B-C being cross-sections taken along the lines B-B, and C-C of FIG. 14A, respectively. One or more flanges 1042 are provided. The flanges 1042 can be configured such that the flanges deflect away from a central axis A when not constrained. Thus, as shown in FIGS. 14B-C, the flanges 1042 are positioned to engage the sides of the self locking mechanism 1040. The flanges can be configured such that they form cut-outs that extend from the device, or can be integrally formed such that the self-locking mechanism still forms a solid tube when the flanges are deployed. FIG. 14C depicts the deployed flanges withdrawn from a retaining tube 1050 of the implant. The interference between the end of the flange and the sides of the retaining tube can be used to prevent, for example, the tap or ratchet from going back into the implant.

[00103] The component depicted in FIGS. 15A-C is a ratchet design used to hold the device in place until the delivery device, e.g. catheter, is decoupled. The device is configured to provide a ratchet mechanism having a ratchet wheel and pawl within the interior surface of the proximal end of the device. A retaining sheath 1152 is provided to hold the ratchet mechanism and prevent it from opening up. The sheath is retracted and then the pull wire 1116 is pulled out. Flanges or tabs 1142 are provided that extend away from a central axis when not

constrained. A pin *1154* can be provided that slides within a slot *1156* in the tube *1155* and is engaged at a widened aperture *1156'*. When withdrawing the pull wire *1116* the sides of the ratchet can deform away from the central axis *A* as shown in FIG. 15C to allow the pull wire to exit. The ratchet tube *1158* can be formed of shape memory material, such as nitinol which can heat set the ratchet to open once the sheath *1152* is removed. Alternatively, the ratchet tube can be formed from stainless steel. Use of stainless steel would require the pull wire with the peg to be pulled out. FIG. 15D is a cross-section taken along the lines D-D of FIG. 15A.

[00104] FIGS. 16A-C illustrate yet another mechanism suitable for use with the implantable devices of the invention, wherein a detent *1254* positioned on the inner surface of the ratchet tube *1258*. Two tubes *1257*, *1257'* are used to lock the device in place. Once the first tube *1257* is pulled out, the second tube *1257'* can deflect away from the detent *1254*, thereby unlocking the coupling. The detent *1254* can be configured in the shape of a ball as depicted in the cross-section shown in FIG. 16C. This system can be used to de-couple the delivery device.

[00105] FIGS. 17A-B and 18 depict alternative mechanisms for de-coupling the delivery device. As depicted in FIGS. 17A-B, a push bar *1357'* is used to push back a latch bar *1357*. The latch bar is adapted to engage a lip on the interior of the device, the push bar deflects the latch bar away from the lip *1359* and enables the bar to be withdrawn as shown in FIG. 17B. In FIG. 18, a retaining sheath *1460* is employed which, when withdrawn in the proximal direction, enables the arms of the latch device *1458* to deflect away from a central axis *A*, and disengage from a retaining lip *1459*. FIGS. 19A-B illustrates yet another embodiment. In the embodiment illustrated, a central pin *1557* is withdrawn which allows the claws *1555* to relax and withdraw away (toward a central axis) from retaining lip *1559* of latch bar *1558*.

[00106] FIGS. 20A-E illustrates a hitch pin configuration useful for use in actuating and de-coupling the delivery device. A portion of the lung volume reduction device *1610* is depicted with an actuation element *1616* positioned therein. A locking mechanism *1640* such as depicted in FIG. 14 engages the proximal end of the device *1610*. A hitch pin de-coupling system *1662* is attached to the locking mechanism *1640*. Alternatively, the hitch pin can be adapted to decouple from the ratchet mechanism. The hitch pin system *1662* has a hitch pin wire *1664* that engages a hitch pin *1666* loop wire. When the hitch pin wire is inserted it maintains the hitch pin in contact with the locking shaft *1668*.

[00107] FIG. 21 illustrates an activation mechanism suitable for use with the invention. The activation mechanism *1770* has a handle *1771* which a user can squeeze to activate the device. Two levers *1772*, *1772'* of the handle will be advanced toward each other as the user squeezes the levers together. Stoppers *1773* can be provided to control or pre-set the amount of pulling the activation mechanism can achieve in a single squeeze. The amount of displacement of wire at the distal end is indicated by the displacement x from a vertical axis that occurs of hinged lever *1774* positioned between the two levers of the activation mechanism when the user squeezes the levers together. Fig. 22 illustrates an alternative mechanism for proximally controlling the deployment of the device. As illustrated in FIG. 22 a pistol actuator *1870* is provided that has a trigger *1872* which can be pulled back toward a handle *1871*. The amount of displacement of the wire can be controlled by the distance x that the trigger is pulled toward the handle. A linear actuation motion can also be simulated by using spur gears *1890* having teeth machined parallel to its axis, such as that shown in FIG. 23.

[00108] FIG. 24 illustrates another proximal control mechanism *1970* adapted for user control of the delivery device and implant. The control mechanism includes a hand grasper *1972*, *1972'* with four-bar linkages *1974*. When a user presses down on the hand grasper, the device adapts its configuration from angled to flat, which pulls the catheter proximally (toward the user) to actuate the implant within the patient.

[00109] The device illustrated in FIG. 25 is another proximal control mechanism 2070 adapted for the user to control the temperature of a Nitinol self-recovering implant during the deployment process. In this embodiment, cold saline is advanced distally 2071 to maintain the Nitinol implant in a martensitic state (i.e., a state having a "soft" microstructure that allows deformation). A return path 2071' is provided to bring the saline back to the mechanism for cooling. Maintenance of the martensitic state enables the device to remain flexible and soft during implant delivery without modifying the implant's programmed shape. Chilled saline, liquid nitrogen, liquid CO₂ or other suitable materials that are colder than body temperature, can be pumped 2072 or circulated to the implant. A chiller 2073 can be provided to cool down the material circulating to the device on its return path. In some embodiments, it may be desirable to control the temperature of the device, e.g., during the implantation process with a distal temperature sensor and feedback that may be transmitted via electric signal on a wire or electro-magnetic waves in a wireless fashion.

[00110] Turning now to FIG. 26, a distal configuration of a recapture device 2080 is depicted. The proximal end of the implanted device 2010 is engaged by the recapture device 2080 which is adapted to encircle the exterior of the implanted device. The device comprises a high pressure balloon 2081 adapted to engage a recovery catheter. An inflation port 2082 is provided through which, for example, cold fluid can be pumped to facilitate deflecting the nitinol tabs 2034. Once the tabs are deflected and moved toward the central axis A of the device, the lock mechanism holding the actuation wire in a curved condition can be released, the implanted device straightened and withdrawn. FIGS. 27A-B illustrates an alternative embodiment of a retrieval device 2180, where forceps are used to provide lateral force on the tabs, thus pressing the tabs in toward the central axis of the device to enable the lock mechanism holding the actuation wire to be released as described above. As illustrated in FIG. 27B, the forceps can then withdraw the straightened device by pulling on the device.

[00111] A variety of mechanisms can be used to couple the clip of the device to the catheter. As shown in FIGS. 28A-B, the implantable device 2210 has a ring with a key 2291 associated with one of the device or the delivery catheter and a keyway 2292 associated with an opposing ring associated with remaining one of the device or delivery catheter. As will be appreciated by those skilled in the art, more than one key or keyway can be provided, as desired, to control the torque. As shown in FIG. 28B, the two rings are adapted to abut each other to lock the device and allow transfer for torque between the catheter and the device. The key: keyway design illustrated in FIG. 28B can also be applied to the delivery or retrieval of devices and to the proximal end of the device.

[00112] FIGS. 29A-C illustrates another retrieval mechanism 2380. The retrieval mechanism employs a hook 2393 adapted to hook into a loop 2394 at the proximal end of the device. The hook can be incorporated into the actuation mechanism 2316 such that hook 2393 extends from the actuation mechanism at the proximal end of the device 2310. Once hooked the apparatus de-activates the locking mechanism, which releases the tension on the actuator 2316. The catheter is then advanced to engage the locking flanges 2334 to push them in toward a central axis A, unlocking the device 2310 by removing tension from the actuation member 2316 and allowing the device to be withdrawn or relocated. In yet another embodiment illustrated in FIGS. 30A-B, a hypotube 2495 associated with, for example, a catheter is adapted to slide over the proximal end of the device 2410. A snare wire 2496 is configured to fit over the proximal end of the device much like a lasso. In operation, the snare wire 2496 is looped over the proximal end of the device 2410, and pulled proximally to push the hypo tube distally toward the device. This enables the combination to hold onto the implant, advance the locking hypo tube forward to unlock the tabs or flanges 2434.

[00113] FIGS. 31A-D illustrates devices 2510 according to the invention in a variety of deployed configurations. FIG. 31A illustrates the device 2510 having a longitudinal configuration, such as the configuration assumed prior to deployment. When the device is implanted and placed in compression or tension axially, the device will

preferentially bend. The actual preferential bending will vary depending upon the configuration of the device. For example, the location, depth, and orientation of the slots depicted in FIGS. 4-8; or the orientation of the walls of the segments of FIG. 9. As FIG. 31B illustrates, for example, where the device 2510 has evenly spaced c-cuts or notches along its length the device will preferentially bend such that the walls of forming the "c" or notch will approach each other, or pinch together, resulting in a deployed device that has preferentially bent into a curved "c" shape (see, FIGS. 4-5). This results because as tension is applied on the actuation device, or wire, the implant deforms and the wire takes a shorter path. FIG. 31C illustrates a device deployed into an "S" shape, such as would be achieved using a configuration like that depicted in FIG. 6. As will be appreciated, the S-shape could continue, much like a sine wave, in an many curves as desired depending upon the configuration of the device. FIG. 31D illustrates a device deployed into a spiral configuration (see, FIG. 7). As will be appreciated by those skilled in the art upon reviewing this disclosure, other configurations can be achieved by, for example, altering the size and location of the c-cuts on the tubular member, or by altering the configuration of the segments illustrated in FIGS. 9-10. Once the device preferentially bends, the device imparts a bending force on the lung tissue which results in a reduction of lung volume. As is appreciated from the configurations shown in Fig. 31 the implant, once re-shaped, is shorter in length than the deliverable implant configuration. The shortening occurs when for example, the distance between the proximal end and the distal end is reduced. Typically, the deliverable shape of the device is such that it fits within a cylindrical space that is 18mm in diameter or smaller. Thus, the implant can come into contact with tissue that is larger than 10^{-6} square inches per linear inch of the implant length. The re-shaped or deployed implant can be configured in a variety of shapes to lie within a single plane, or to adopt any other suitable configuration, such that it does not lie within a single plane. Additionally, the device can have varying rates of curvature along its length.

[00114] Fig. 32 illustrates a lung volume reduction device 2610 in combination with a delivery device 2680. The device 2610 is adapted to provide a tubular member 2612 having a lumen 2613 through which an actuation element 2614 is provided. The tubular member 2612 has a series of c-cuts 2614 along its length that enable the device to preferentially bend when deployed. As will be appreciated, for purposes of illustration, a device similar to that depicted in FIG. 4 has been illustrated. Other devices can be used without departing from the scope of the invention. A device 2680 is provided that engages flanges 2634 of a lock mechanism to push the flanges in toward a central axis enabling tension applied to the actuation element 2614 to be relieved, thus enabling the device to be removed. The device can be activated by pulling the central rod in a proximal direction. The decoupler (outer rod) is then pulled in the proximal direction.

[00115] FIGS. 33A-C illustrates devices 2710 according to the invention implanted within, for example, a bronchiole 26. The device 2710 depicted in FIG. 33A is configured to provide an atraumatic tip 2711 on either end of the device. When the device 2710 is activated within the bronchiole 26 the device curves and imparts a bending force on the lung tissue. As a result of the bending pressure, the tissue curves and compresses upon its self to reduce lung volume. Additionally, deployment of the device can result in the airway becoming bent. As illustrated in FIG. 33C the device can also be configured with a single atraumatic tip so that the deployment mechanism 2720 can easily interface with the proximal end of the device.

[00116] In some instances, where the device has been implanted for a length of time sufficient for tissue in-growth to occur, a torquable catheter 2750 having a sharp blade (not shown) within its lumen can be advanced along the length of the device 2710 to enable tissue to be cut away from the implant prior to withdrawal such as shown in FIGS. 34A-B. This enables the device to be cut away from the airway wall in order to facilitate withdrawal.

[00117] FIG. 35A-C illustrates the process of implanting the device within a lung. As is evidence, the device 2810 is advanced in a configuration where the device adapts to the anatomy of the lungs through the airways and into, for

example, the bronchioles until it reaches a desired location relative to the damaged tissue 32. The device is then activated by engaging the actuation device, causing the device to curve and pull the lung tissue toward the activated device (*see*, FIG. 35B). The device continues to be activated until the lung tissue is withdrawn a desired amount, such as depicted in FIG. 35C. As will be appreciated by those skilled in the art, withdrawing the tissue can be achieved by, for example, curving and compressing a target section of lung tissue upon deployment of one of the configurable devices disclosed herein. Once activated sufficiently, the deployment device is withdrawn from the lung cavity.

[00118] A variety of steps for performing a method according to the invention would be appreciated by those skilled in the art upon review of this disclosure. However, for purposes of illustration, FIG. 36A illustrates the steps including, insertion of the device 3610, activating the device 3620, such as by activating an actuator; bending the device into a desired configuration 3630 and locking the device into a deployed condition. As will be appreciated the step of bending the device can be achieved by activating the actuator, as described above, or by the implant being restored into a preconfigured shape.

[00119] In one embodiment, the device operation includes the step of inserting a bronchoscope into a patient's lungs and then inserting an intra-bronchial device or lung volume reduction device into the bronchoscope. The intra-bronchial device is then allowed to exit the distal end of the bronchoscope where it is pushed into the airway. A variety of methods can then be used to verify the positioning of the device to determine if the device is in the desired location. Suitable methods of verification include, for example, visualization via visualization equipment, such as fluoroscopy, CT scanning, etc. Thereafter the device is activated by pulling the pull wire proximally (i.e., toward the user and toward the exterior of the patient's body). At this point, another visual check can be made to determine whether the device has been positioned and deployed desirably. Thereafter, the device can be fully actuated and the ratchet can be allowed to lock and hold the device in place. Thereafter, the implant is decoupled from the delivery catheter and the delivery catheter is removed.

[00120] Another method of tensioning the lung is shown in FIG. 36B which illustrates steps that include, applying bending loads or force to strain a device from a first shape into a deliverable shape without plastically or permanently bending the device 3640, delivering the device into the patient using the bronchoscope or other delivery system components to hold the device in a deliverable shape while it is being introduced 3650 and then removing the constraint used to hold the device to allow it to recover back to its first shape 3660. Elastic recovery of the device will drive the device to a more bent condition that will apply force to nearby lung tissue. The bending forces locally compress tissue near the implant and apply tension on lung tissue in surrounding regions to restore lung recoil and enhance breathing efficiency. The first shape is adapted to be elastically constrained by a delivery device to a deliverable configuration whereby removal of the delivery device allows the implant to recoil and be reshaped closer to its first shape.

[00121] FIG. 37 shows an example of an implantable device 3703 made from Nitinol metal wire 3701. Nickel-Titanium, Titanium, stainless steel or other biocompatible metals with memory shape properties or materials with capabilities to recover after being strained 1% or more may be used to make such an implant. Additionally, plastics, carbon based composites or a combination of these materials would be suitable. The device is shaped like a French horn and can generally lie in a single plane. The ends are formed into a shape that maximizes surface area shown in the form of balls 3702 to minimize scraping or gouging lung tissue. The balls may be made by melting back a portion of the wire, however, they may be additional components that are welded, pressed or glued onto the ends of wire 3701.

[00122] A Nitinol metallic implant, such as the one illustrated in FIG. 37, may be configured to be elastic to recover to a desired shape in the body as any other type of spring would or it can be made in a configuration that may be thermally actuated to recover to a desired shape. Nitinol can be cooled to a martensite phase or warmed to an austenite phase. In the austenite phase, the metal recovers to its programmed shape. The temperature at which the metal has fully converted to an austenite phase is known as the A_f temperature (austenite final). If the metal is tuned so that the A_f temperature is at body temperature or lower than body temperature, the material is considered to be elastic in the body and it will perform as a simple spring. The device can be cooled to induce a martensite phase in the metal that will make the device flexible and very easy to deliver. As the device is allowed to heat, typically due to body heat, the device will naturally recover its shape because the metal is making a transition back to an austenite phase. If the device is strained to fit through a delivery system, it may be strained enough to induce a martensite phase also. This transformation can take place with as little as 0.1% strain. A device that is strain induced into a martensite phase will still recover to its original shape and convert back to austenite after the constraints are removed. If the device is configured with an A_f temperature that is above body temperature, the device may be heated to convert it to austenite and thermally activate its shape recovery inside the body. All of these configurations will work well to actuate the device in the patient's lung tissue. The human body temperature is considered to be 37 degrees C in the typical human body.

[00123] FIG. 38 illustrates a cutaway view of a delivery cartridge system 3800 that constrains the implant device 3703 in a deliverable shape. The device 3801 may be shipped to the intended user in such a system or it may be used as a tool to more easily load the implant into a desired shape before being installed into the patient, bronchoscope or a catheter delivery device. The cartridge may be sealed or terminated with open ends or one or more hubs such as the Luer lock hub 3802 that is shown. The implant should be constrained to a diameter that is the same or less than 18mm diameter because anything larger than that will be difficult to advance past the vocal cord opening.

[00124] FIG. 39 illustrates another implant device 3901 that is shaped in a three dimensional shape similar to the seam of a baseball. The wire is shaped so that proximal end 3902 extends somewhat straight and slightly longer than the other end. This proximal end will be the end closest to the user and the straight section will make recapture easier. If it were bent, it may be driven into the tissue making it hard to access.

[00125] FIG. 40 is an illustration of another implant system 4001. It is similar to that shown in FIG. 39 with the addition of a wire frame 4002 surrounding the device. The wire frame may be used, for example, to increase the bearing area that is applied to the lung tissue. By increasing the bearing area, the pressure born by the tissue is reduced along with a reduction in the propensity for the device to grow through lung structures or cause inflammatory issues. Small wires that apply loads in the body tend to migrate so we believe that the device should be configured to possess more than 0.000001 (1^{-6} in²) square inches of surface area per linear inch of the length of the device. The frame is one of many ways to provide a larger surface area to bear on the tissue.

[00126] FIG. 41 shows yet another example of a device 4101 according to the invention. The device 4101 features a covering to increase bearing area 4102. In this example, the main wire 3902 is covered by a wire frame and a polymeric covering 4102. The covering may be made of any biocompatible plastic, thermoplastic, fluoropolymer, Teflon®, urethane, metal mesh, coating, silicone or other resilient material that will reduce the bearing pressure on the lung tissue. The ends of the covering 4103 may remain sealed or open as shown to allow the user to flush antibiotics into and out of the covering.

[00127] FIG. 42 illustrates another configuration of the implant device 4201 showing a covering 4205 with perforations 4203 adapted and configured to allow the device to be flushed. The ends 4202 of the covering are

sealed to the ends of the device to keep the two components fixed and prevent sliding of one or the other during deployment. The covering may be thermally bonded, glued or shrunk to a tight fit.

[00128] FIG. 43 illustrates a device 4301 that has the wire frame 4002 joined to the ball ends 3702 at a junction 4302. The balls may be melted from the wire stock and the wire frame may be incorporated into the ball at that time. It may also be glued, pressed together, welded or mechanically locked together.

[00129] FIG. 44 illustrates another implant device 4401 with an attached wire frame 4302, main wire 4103 and a covering 4102.

[00130] FIG. 45 illustrates a system of one or more devices that can be hooked together 4501. The device 3703 is configured such that it terminates on both ends, for example, with blunt ball shaped ends 3702. The device 4502 is terminated on one end with an open cup and slot shape 4503 that allows the devices to be coupled together. These devices may be delivered together or coupled in-situ. Devices may be installed into a single duct in the lung or in different locations that may be linked together.

[00131] FIG. 46 illustrates another three dimensional device 4601 made in the form of a coil with ball terminations 3702.

[00132] FIGS. 47 and 48 illustrate how the device length is reduced when the device is deployed in-situ. The device shown in the delivery configuration 4802 in FIG. 47 is also shown in the deployed configuration 4803 in FIG. 48. The distance A between the device ends 3702 is large while the device is constrained by the constraining cartridge device 3801. Distance A is similar when the device is constrained by a loading cartridge, catheter or bronchoscope. FIG. 48 shows the same device in a deployed configuration 4803 in an airway 4801 that has been deformed by the shape recovery of the implant device. FIG. 48 shows that the distance B between the device ends 3702 is substantially shorter after the device is deployed.

[00133] As with previous embodiments, the embodiments depicted in FIG. 37-48 are adapted and configured to be delivered to a lung airway of a patient in a delivery configuration and to change to a deployed configuration to bend the lung airway. The devices are characterized in that the devices have a delivery configuration that is resiliently bendable into a plurality of shapes, such as the ones depicted in the Figures. The design of the devices can be such that strain relief is facilitated on both ends of the device. Further the ends of the device in either the delivery or deployed state are more resilient.

[00134] The devices can have any suitable length for treating target tissue. However, the length typically range from, for example, 2 cm to 10 cm, usually 5 cm. The diameter of the device can range from 1.00 mm to 3.0 mm, preferably 2.4 mm. The device is used with a catheter which has a working length of 60 cm to 200 cm, preferably 90 cm.

[00135] In operation the devices shown in FIG. 37-48 are adapted and configured to be minimally invasive which facilitates easy use with a bronchoscope procedure. Typically, there is no incision, and no violation of the pleural space of the lung during deployment. Furthermore, collateral ventilation in the lung does not affect the effectiveness of the implanted device. As a result, the devices are suitable for use with either homogeneous and heterogeneous emphysema.

[00136] Each of the devices depicted in FIG. 37-48 are adapted and configured to impart bending force on lung tissue. For example, a spring element can be provided, as illustrated in FIG. 40 that imparts bending force on lung tissue. The implantable spring element that can be constrained into a shape that can be delivered to a lung airway and unconstrained to allow the element to impart bending force on the airway to cause the airway to be bent.

[00137] Embodiments of the lung volume reduction system can be adapted to provide an implant that is constrained in a first configuration to a relatively straighter delivery configuration and allowed to recover in situ to a second

configuration that is less straight configuration. Devices and implants can be made, at least partially, of spring material that will fully recover after having been strained at least 1%, suitable material includes a metal, such as metals comprising Nickel and Titanium. In some embodiments, the implant of the lung volume reduction system is cooled below body temperature in the delivered configuration. In such an embodiment, the cooling system can be controlled by a temperature sensing feedback loop and a feedback signal can be provided by a temperature transducer in the system. The device can be configured to have an A_f temperature adjusted to 37 degrees Celsius or colder. Additionally, at least a portion of the metal of the device can be transformed to the martensite phase in the delivery configuration and/or can be in an austenite phase condition in the deployed configuration.

[00138] Lung volume reduction systems, such as those depicted in **FIG. 37-48**, comprise an implantable device that is configured to be deliverable into a patient's lung and which is also configured to be reshaped to make the lung tissue that is in contact with the device more curved. Increasing the curvature of the tissue assists in reducing the lung volume of diseased tissue, which in turn increases the lung volume of healthier tissue. In some instances, the devices are configured to be reshaped to a permanent second configuration. However, as will be appreciated by those skilled in the art, the devices can also be adapted and configured to have a first shape and is configured to be strained elastically to a deliverable shape.

[00139] As will be appreciated by those skilled in the art, the devices illustrated in **FIG. 37-48** are can be configured to be deliverable into a patient's lung and configured to reshape lung tissue while allowing fluid to flow both directions past the implant.

[00140] **FIG. 49** illustrates a system **4901** that may be used to deliver the implant device. The many components of the system may be needed to guide the bronchoscope **4902** to a site that is appropriate for implant delivery. The airway guide wire has a distal floppy section **4913** that can be steered into any desired airway by rotating the slight curve at the distal tip to the appropriate trajectory at airway bifurcations. To apply torque to the wire, devices such as a locking twist-on wire connector **4915** may be attached to the proximal end of the wire **4912**. The wire tip may be blunt such as the ball tip shown **4914**. In some embodiments, the wire may be adapted and configured to pass through a dilator catheter **4909** that is shaped to provide a smooth diameter transition from the wire diameter to the delivery catheter **4906** diameter. The

distal tip of the dilator **4910** should be tapered **4911** as shown. The dilator prevents the open end of the delivery catheter **4906** to dig into lung tissue in an unintended way. The dilator hub **4916** may be made as a Y-fitting to allow the user to couple a syringe and inject radiopaque dye through the dilator lumen to increase the visibility of the airways, which facilitates the use of an x-ray guidance system, such as fluoroscopy or computed tomography. The delivery catheter may be used without the wire and dilator. The catheter **4906** is designed to constrain the device in a deliverable shape while it is advanced through the system and into the patient. The distal end **4907** may be configured from a floppier polymer or braid than the proximal end **4906** and the distal tip may further include a radiopaque material associated with the tip, either integral or adjacent, to identify the position of the tip relative to other anatomical locations, such as bones. Providing one or more radiopaque markers facilitates using x-ray guidance system to position the distal end of the device in situ relative to a target anatomy. The proximal termination of the delivery catheter **4908** may further be adapted to incorporate a lockable hub to secure the loading cartridge **3801** with a smooth continuous lumen. The delivery catheter **4906** is shown introduced into the bronchoscope side port **4905** and out the distal end of the scope **4917**. A camera **4903** is shown attached to the end of the scope with a cable **4904**, or other delivery mechanism, to transmit the image signal to a processor and monitor. The loading cartridge, delivery catheter, dilator, guide wire and twist-on wire connector may be made from any material identified in this specification or materials well known to be used for similar products used in the human vascular tract by radiologists.

[00141] FIG. 50 illustrates a delivery system 5001 that has been placed into a human lung. The bronchoscope 4902 is in an airway 5002. The scope camera 4903 is coupled to a video processor 5004 via a cable 4904. The image is processed and sent through a cable 5005 to a monitor 5006. The monitor shows a typical visual orientation on the screen 5007 of a delivery catheter image 5008 just ahead of the optical element in the scope. The distal end of the delivery catheter 4907 protrudes out of the scope in an airway 5002 where the user will place an implant device 3703. The implant 3703 is loaded into a loading cartridge 3801 that is coupled to the proximal end of the delivery catheter via locking hub connection 3802. A pusher grasper device 5009 is coupled to the proximal end of the implant 3703 with a grasper coupler 5010 that is locked to the implant using an actuation plunger 5012, handle 5011 and pull wire that runs through the central lumen in the pusher catheter. By releasably coupling the pusher to the implant device, the user may advance the implant to a position in the lung in a deployed configuration. The user can survey the implant placement position and still be able to retrieve the implant back into the delivery catheter, with ease, if the delivery position is less than ideal. The device has not been delivered and the bottom surface of the lung 5003 is shown as generally flat and the airway is shown as generally straight. These are both anatomically correct for a lung with no implant devices. If the delivery position is correct, the user may actuate the plunger 5012 to release the implant into the patient.

[00142] FIG. 51 illustrates generally the same system after the implant has been deployed into the airway 5103. The implant 5102 and pusher 5101 has been advanced through the delivery catheter 4907 to a location distal to the scope 4902. The pusher grasping jaws 5010 are still locked onto the proximal end of the implant 5102 but the implant has recovered to a pre-programmed shape that has also bent the airway 5103 into a folded configuration. By folding the airway, the airway structure has been effectively shortened within the lung. Since the airways are well anchored into the lung tissue, the airway provides tension on the surrounding lung tissue which is graphically depicted by showing the pulled (curved inward) floor of the lung 5104. The image from the camera 4903 is transmitted through the signal processor 5004 to the monitor 5006 to show the distal tip of the delivery catheter 5101, distal grasper of the pusher 5010 and proximal end of the implant 3703. The grasper may be used to locate, couple to and retrieve devices that have been released in the patient. It is easy to envision how the implant performs work on the airways and lung tissue without blocking the entire lumen of the airway. This is a benefit in that fluid or air may pass either way through the airway past the implant device.

[00143] As will be appreciated by those skilled in the art, the device can be manufactured and deployed such that it is deliverable through a bronchoscope. When actuated, the device can be adapted and configured to bend or curl which then distorts lung tissue with which the device comes in contact. Lung tissues that may be beneficially distorted by the device are airways, blood vessels, faces of tissue that have been dissected for introduction of the device or a combination of any of these. By compressing the lung tissue, the device can result in an increase in elastic recoil and tension in the lung in at least some cases. Additionally, in some instances, lung function can be at least partially restored regardless of the amount of collateral ventilation. Further, the diaphragm may, in some instances, move up once greater tension is created which enables the lung cavity to operate more effectively.

[00144] Devices according to the invention have a small cross-section, typically less than 10F. The flexibility of the device prior to deployment facilitates advancement of the device through the tortuous lung anatomy. Once deployed, the device can remain rigid to hold and maintain a tissue deforming effect. Further, the device design facilitates recapture, de-activation and removal as well as adjustment in place.

[00145] Candidate materials for the devices and components described herein would be known by persons skilled in the art and include, for example, suitable biocompatible materials such as metals (e.g. stainless steel, shape memory alloys, such a nickel titanium alloy (nitinol), titanium, and cobalt) and engineering plastics (e.g. polycarbonate).

See, for example US Patent Nos. 5,190,546 to Jervis for Medical Devices Incorporating SIM Memory Alloy Elements and 5,964,770 to Flomenblit for High Strength Medical Devices of Shape Memory Alloy. In some embodiments, other materials may be appropriate for some or all of the components, such as biocompatible polymers, including polyetheretherketone (PEEK), polyarylamide, polyethylene, and polysulphone.

[00146] Polymers and metals used to make the implant and delivery system should be coated with materials to prevent the formation and growth of granular tissue, scar tissue and mucus. Many of the drugs used with stent products to arrest hyperplasia of smooth muscle cells in blood vessels after deploying metallic stents will work very well for these devices. Slow release drug eluting polymers or solvents may be used to regulate the release of drugs that include any substance capable of exerting a therapeutic or prophylactic effect for a patient. For example, the drug could be designed to inhibit the activity of smooth muscle cells. It can be directed at inhibiting abnormal or inappropriate migration and/or proliferation of smooth muscle cells to inhibit tissue mass buildup. The drug may include small molecule drugs, peptides or proteins. Examples of drugs include antiproliferative substances such as actinomycin D, or derivatives and analogs thereof (manufactured by Sigma-Aldrich of Milwaukee, Wis., or COSMEGEN available from Merck). Synonyms of actinomycin D include dactinomycin, actinomycin IV, actinomycin I₁, actinomycin X₁, and actinomycin C₁. The active agent can also fall under the genus of antineoplastic, anti-inflammatory, antiplatelet, anticoagulant, antifibrin, antithrombin, antimitotic, antibiotic, antiallergic and antioxidant substances. Examples of such antineoplastics and/or antimitotics include paclitaxel (e.g. TAXOL® by Bristol-Myers Squibb Co. of Stamford, Conn.), docetaxel (e.g. Taxotere®, from Aventis S.A. of Frankfurt, Germany) methotrexate, azathioprine, vincristine, vinblastine, fluorouracil, doxorubicin hydrochloride (e.g. Adriamycin® from Pharmacia & Upjohn of Peapack N.J.), and mitomycin (e.g. Mutamycin® from Bristol-Myers Squibb). Examples of such antiplatelets, anticoagulants, antifibrin, and antithrombins include sodium heparin, low molecular weight heparins, heparinoids, hirudin, argatroban, forskolin, vapiprost, prostacyclin and prostacyclin analogues, dextran, D-phe-pro-arg-chloromethylketone (synthetic antithrombin), dipyridamole, glycoprotein IIb/IIIa platelet membrane receptor antagonist antibody, recombinant hirudin, and thrombin inhibitors such as Angiomax™ (Biogen, Inc. of Cambridge, Mass.). Examples of such cytostatic or antiproliferative agents include angiopeptin, angiotensin converting enzyme inhibitors such as captopril (e.g. Capoten® and Capozide® from Bristol-Myers Squibb), cilazapril or lisinopril (e.g. Prinivil® and Prinzide® from Merck & Co., Inc. of Whitehouse Station, N.J.); calcium channel blockers (such as nifedipine), colchicine, fibroblast growth factor (FGF) antagonists, fish oil (omega 3-fatty acid), histamine antagonists, lovastatin (an inhibitor of HMG-CoA reductase, a cholesterol lowering drug, brand name Mevacor® from Merck & Co.), monoclonal antibodies (such as those specific for Platelet-Derived Growth Factor (PDGF) receptors), nitroprusside, phosphodiesterase inhibitors, prostaglandin inhibitors, suramin, serotonin blockers, steroids, thioprotease inhibitors, triazolopyrimidine (a PDGF antagonist), and nitric oxide. An example of an antiallergic agent is permirolast potassium. Other therapeutic substances or agents which may be appropriate include alpha-interferon, genetically engineered epithelial cells, tacrolimus, dexamethasone, and rapamycin and structural derivatives or functional analogs thereof, such as 40-O-(2-hydroxy)ethyl-rapamycin (known by the trade name of EVEROLIMUS available from Novartis of New York, N.Y.), 40-O-(3-hydroxy)propyl-rapamycin, 40-O-[2-(2-hydroxy)ethoxy]ethyl-rapamycin, and 40-O-tetrazole-rapamycin.

[00147] Other polymers that may be suitable for use in some embodiments, for example other grades of PEEK, such as 30% glass-filled or 30% carbon filled, provided such materials are cleared for use in implantable devices by the FDA, or other regulatory body. The use of glass filled PEEK would be desirable where there was a need to reduce the expansion rate and increase the flexural modulus of PEEK for the instrument. Glass-filled PEEK is known to be

ideal for improved strength, stiffness, or stability while carbon filled PEEK is known to enhance the compressive strength and stiffness of PEEK and lower its expansion rate. Still other suitable biocompatible thermoplastic or thermoplastic polycondensate materials may be suitable, including materials that have good memory, are flexible, and/or deflectable have very low moisture absorption, and good wear and/or abrasion resistance, can be used without departing from the scope of the invention. These include polyetherketoneketone (PEKK), polyetherketone (PEK), polyetherketoneetherketoneketone (PEKEKK), and polyetheretherketoneketone (PEEKK), and generally a polyaryletheretherketone. Further other polyketones can be used as well as other thermoplastics. Reference to appropriate polymers that can be used in the tools or tool components can be made to the following documents. These documents include: PCT Publication **WO 02/02158 A1**, to Victrex Manufacturing Ltd. entitled Bio-Compatible Polymeric Materials; PCT Publication **WO 02/00275 A1**, to Victrex Manufacturing Ltd. entitled Bio-Compatible Polymeric Materials; and PCT Publication **WO 02/00270 A1**, to Victrex Manufacturing Ltd. entitled Bio-Compatible Polymeric Materials. Still other materials such as Bionate®, polycarbonate urethane, available from the Polymer Technology Group, Berkeley, Calif., may also be appropriate because of the good oxidative stability, biocompatibility, mechanical strength and abrasion resistance. Other thermoplastic materials and other high molecular weight polymers can be used as well for portions of the instrument that are desired to be radiolucent.

[00148] The implant described herein can be made of a metallic material or an alloy such as, but not limited to, cobalt-chromium alloys (e.g., ELGILOY), stainless steel (316L), "MP35N," "MP20N," ELASTINITE (Nitinol), tantalum, tantalum-based alloys, nickel-titanium alloy, platinum, platinum-based alloys such as, e.g., platinum- indium alloy, iridium, gold, magnesium, titanium, titanium-based alloys, zirconium-based alloys, or combinations thereof. Devices made from bioabsorbable or biostable polymers can also be used with the embodiments of the present invention. "MP35N" and "MP20N" are trade names for alloys of cobalt, nickel, chromium and molybdenum available from Standard Press Steel Co. of Jenkintown, Pa. "MP35N" consists of 35% cobalt, 35% nickel, 20% chromium, and 10% molybdenum. "MP20N" consists of 50% cobalt, 20% nickel, 20% chromium, and 10% molybdenum.

[00149] While preferred embodiments of the present invention have been shown and described herein, it will be obvious to those skilled in the art that such embodiments are provided by way of example only. Numerous variations, changes, and substitutions will now occur to those skilled in the art without departing from the invention. It should be understood that various alternatives to the embodiments of the invention described herein may be employed in practicing the invention. It is intended that the following claims presented will define the scope of the invention and that methods and structures within the scope of these claims and their equivalents be covered thereby.

THE EMBODIMENTS OF THE INVENTION IN WHICH AN EXCLUSIVE PROPERTY OR PRIVILEGE IS CLAIMED ARE DEFINED AS FOLLOWS:

1. A system for use with a patient having a lung with an airway, and with a bronchoscope having a proximal working head, a distal end insertable distally into the lung, a working channel therebetween, and a scope oriented so as to acquire an image from within the airway, the airway having an airway path prior to treatment, the system comprising:

an implant including an elongate body extending between a proximal end and a distal end, the elongate body having a relatively straight configuration and a bent configuration, the elongate body in the straight configuration extending along an axis and advanceable within the working channel into the airway so as to extend along the path of the airway and within the image from the bronchoscope, the elongate body of the implant configured to deploy from the straight configuration to the bent configuration within the airway so as to move the elongate body adjacent the distal end laterally from the axis and impart bending force on the airway such that the path of the airway bends.

2. The system of claim 1, wherein the implant is constructed and arranged to be reshaped by being released from a delivery catheter, wherein the distal and proximal ends of the implant are separated by a first length when the implant is in the straight configuration, the distal end being blunt, and wherein reshaping of the implant within the airway causes the distal and proximal ends to be separated by a distance less than the first length and the airway to be bent so that the airway between the ends curves so that lung tissue adjacent the airway and between the ends of the deployed implant is compressed.

3. The system of claim 1, wherein the implant is configured to be permanently reshaped to the bent configuration, the bent configuration comprising a permanent bent configuration.

4. The system of claim 3, wherein the implant is adapted to be elastically constrained by a delivery device to the straight configuration whereby removal of the delivery device allows the implant to recoil and be reshaped closer to the bent configuration.

5. The system of claim 4, the system comprising a plurality of said implants, each implant being deliverable and reshapeable within an associated airway region so as to reduce lung volume.

6. The system of claim 5, wherein an arc length of the implant remains constant as the implant is reshaped.

7. The system of claim 1, wherein a distance between the distal end of the implant and the proximal end of the implant is less in the bent configuration than a distance between the distal end of the implant and the proximal end of the implant in the straight configuration.

8. The system of any one of claims 1 to 7, wherein the implant is at least one of:

configured to reduce lung volume when the implant occupies less than the entire lumen cross section area of a lung airway, and wherein the implant fits within a cylindrical space that is 18mm in diameter or smaller; and

coated with material that reduces the rate of at least one of wound healing, tissue remodeling, inflammation, and generation of granular tissue.

9. The system of any one of claims 1 to 8, wherein a surface area of the implant that is oriented for contact with tissue of the lung is larger than 1.0E-6 square inches per linear inch of length of the implant.

10. The system of any one of claims 3 to 6, wherein the reshaped implant is configured to lie within a single plane, and wherein the reshaped implant is generally in the shape of a C or an S.

11. The system of any one of claims 3 to 6, wherein the reshaped implant is configured not to lie within a single plane, and wherein the reshaped implant is generally in the shape of a baseball seam or a coil.

12. The system of any one of claims 1 to 11, wherein a retrieval mechanism is provided so as to allow the implant to be retrieved into a catheter so as to allow retrieval of the implant after the implant has been deployed into an airway.

13. The system of claim 1, wherein the system further comprises an actuator adapted to be operated from outside the patient to reshape the implant.

14. The system of claim 12, wherein the system further comprises:
a resilient wire receivable within the catheter and having a curved distal tip and a resilient dilator device that fits in a lumen of the catheter, wherein the wire is accommodated in a lumen of the dilator.

15. The system of claim 1, wherein the implant comprises an elongate implantable spring element having a straight configuration and an axially bent configuration, the elongate spring element in the straight configuration extending along an axis of the elongate spring sufficiently for axial insertion into an airway of the lung tissue, the inserted elongate spring element deployable to the bent configuration, an end of the elongate spring element moving laterally from the axis so as to impart the bending force on the lung tissue when deployed within the airway, the bending force being sufficient to laterally bend the airway.

16. The system of any one of claims 1 to 15, wherein the implant comprises a metal, the metal including Nickel and Titanium.

17. The system of claim 1, wherein the straight configuration is adapted to be elastically constrained by a delivery device to a deliverable configuration whereby removal of the delivery device allows the implant to recoil and be reshaped closer to its straight configuration.

18. The system of any one of claims 1 to 17, wherein a tissue that is in contact with the implant is at least one of a blood vessel, an airway, and a lung dissection fissure.

19. The system of claim 17, wherein the reshaped implant is shorter in length than the deliverable implant configuration.
20. The system of claim 17, wherein the distance between the distal end of the implant and the proximal end of the implant is reduced when the implant is reshaped.
21. The system of claim 17, wherein the implant is configured to reduce lung volume when the implant occupies less than the entire lumen cross section area of the lung airway.
22. The system of claim 17, wherein the elongate body has an axial length, wherein the elongate body is configured so that reshaping of the implant moves a bearing area extending along the length of the elongate body against the airway sufficiently to bend the airway.
23. The system of any one of claims 1 to 22, wherein the implant is coated with material that reduces the rate of wound healing, tissue remodeling, inflammation, generation of granular tissue or a combination of these.
24. The system of claim 1, further comprising a plurality of implants, each implant being configured to be delivered to and reshaped within an associated airway region so as to reduce lung volume.
25. The system of claim 24 wherein the implants are configured to be coupled to other implants when deployed.
26. The system of claim 24 or 25 wherein the system further comprises a recapture device to remove the implant from a patient's lung.
27. The system of claim 26 wherein the recapture device can be coupled to the proximal end of the implant and is configured to operate within a retrieval catheter or the bronchoscope working channel lumen.

28. A system for use with a bronchoscope and for treating a patient, the patient having a lung with lung tissue including an airway, the airway having an airway path prior to treatment, the bronchoscope having a working channel and a viewing scope for viewing distally within the airway, the system comprising:

a lung airway delivery catheter having a proximal end and a distal end with a delivery lumen therebetween, the distal end of the delivery catheter configured to be advanced distally from the working channel of the bronchoscope along the path of the airway;

an implant having an elongate body receivable within the delivery lumen and that is configured to be deployed from the delivery lumen into the airway of the lung of the patient, the elongate body configured to extend along an axis in a first configuration when disposed within the delivery catheter for axial insertion along the path of the airway, the elongate body of the implant configured to be reshaped from the first configuration to a second configuration within the airway, the elongate body in the second configuration configured to form at least one loop or bend to respectively impart at least one similarly shaped loop or bend in the airway so as to increase tension of the lung tissue and allow air flow along the airway past the implant when deployed in the second configuration.

29. The system of claim 28, wherein the implant is at least one of:
reshaped by releasing the implant from the delivery catheter, the implant having first and second ends separated by a first length when in the first configuration, the first end being blunt so as to inhibit penetration of the lung airway, the elongate body being configured such that reshaping of the implant within the airway bends the airway so that the airway between the ends curves laterally away from between the ends, so that the distance between the ends is less than the first length and so that lung tissue adjacent the airway and between the ends of the deployed implant is compressed; and
configured to be reshaped to a permanent second configuration.

30. The system of claim 28, wherein the implant has a first shape and is configured to be strained elastically to a deliverable shape of the first configuration; and/or is adapted to be elastically constrained by the delivery catheter to the first configuration

whereby removal of the delivery catheter allows the implant to recoil and be reshaped closer to its first shape.

31. The system of claim 28, further comprising a plurality of implants, wherein the individual implants are at least one of:

configured to be delivered to and reshaped within an associated airway region so as to reduce lung volume; and

configured to be coupled to other implants when deployed.

32. The system of claim 28, wherein the implant is at least one of: shorter in length in the second configuration than in the first configuration, the distance between the two ends of the implant being reduced when the implant is reshaped;

configured to reduce lung volume when the implant occupies less than the entire lumen cross sectional area of a lung airway, and wherein the implant in the first configuration fits within a cylindrical space that is 18 mm in diameter or smaller; and

having a surface area that is oriented for contact with tissue of the lung that is larger than 1.0E-6 square inches per linear inch of length of the implant.

33. The system of claim 28, wherein the elongate body has an axial length, the elongate body being configured so that reshaping of the implant moves a bearing area extending along the length of the elongate body against the airway sufficiently to bend the airway, and/or wherein the implant is coated with material that reduces the rate of at least one of wound healing, tissue remodeling, inflammation, and generation of granular tissue.

34. The system of claim 28, wherein the reshaped implant is configured to lie within a single plane, and wherein the reshaped implant is generally in the shape of a C or an S.

35. The system of claim 28, wherein the reshaped implant is configured not to lie within a single plane, and wherein the implant is generally in the shape of a baseball seam or a coil.

36. The system of claim 28, wherein the implant is made of a resiliently bendable material.

37. The system of claim 28 further comprising an actuator adapted to be operated from outside the patient to reshape the implant.

38. The system of claim 28 or 37 further comprising a pusher adapted to deliver the implant from the catheter into the patient's lung.

39. The system of claim 38, wherein the pusher is releaseably coupled to the implant so as to allow the implant to be retrieved into the delivery lumen of the catheter so as to allow retrieval of the implant after the implant has been pushed out of the delivery lumen and into the airway.

40. The system of claim 28 further comprising a recapture device to remove the implant from a patient's lung.

41. The system of claim 40 wherein the recapture device can be coupled to the proximal end of the implant and is configured to operate within the retrieval catheter or bronchoscope working channel.

42. The system of claim 28, wherein the system further comprises: a resilient wire receivable within the delivery catheter, wherein the resilient wire is configured to guide the catheter distally of the bronchoscope within the airway.

43. The system of claim 28, wherein the implant comprises at least one of:

an arc length of the implant remains constant as the implant is reshaped; and rounded structures at the proximal end and at the distal end of the elongate body so as to inhibit trauma to the airway at the distal and proximal ends of the implant.

44. The system of claim 28 wherein the implant comprises a central wire that spans the length of the implant.

45. The system of claim 44 wherein the central wire is wrapped by a wire frame or covering that is configured to contact lung tissue.

46. A system for use with a bronchoscope and for treating a patient, the patient having a lung with lung tissue including an airway, the airway having an airway path prior to treatment, the bronchoscope having a working channel and a viewing scope for viewing distally within the airway, the system comprising:

a lung airway delivery catheter having a proximal end and a distal end with a delivery lumen therebetween, the distal end of the delivery catheter configured to be advanced distally from the working channel of the bronchoscope along the path of the airway;

an implant having an elongate body with an atraumatic tip mounted on each of a first end and a second end of the elongate body so as to minimize trauma to the lung airway when the implant is deployed, the implant receivable within the delivery lumen and configured to be deployed from the delivery lumen into the airway of the lung of the patient, the elongate body configured to extend along an axis in a first configuration when disposed within the delivery catheter for axial insertion along the path of the airway, the elongate body of the implant configured to be reshaped from the first configuration to a second configuration within the airway, the elongate body in the second configuration configured to bend laterally away from the axis so as to bend the path of the airway.

47. The system of claim 46, wherein the implant has a first shape and is configured to be strained elastically to a deliverable shape of the first configuration; and/or is adapted to be elastically constrained by the delivery catheter to the first configuration whereby removal of the delivery catheter allows the implant to recoil and be reshaped closer to its first shape.

48. A system for use with a bronchoscope and for treating a patient, the patient having a lung with lung tissue including an airway, the airway having an airway path

prior to treatment, the bronchoscope having a working channel and a viewing scope for viewing distally within the airway, the system comprising:

a lung airway delivery catheter having a proximal end and a distal end with a delivery lumen therebetween, the distal end of the delivery catheter configured to be advanced distally from the working channel of the bronchoscope along the path of the airway;

an implant having an elongate body receivable within the delivery lumen and that is configured to be deployed from the delivery lumen into the airway of the lung of the patient, the elongate body configured to extend along an axis in a first configuration when disposed within the delivery catheter for axial insertion along the path of the airway, the elongate body of the implant configured to be reshaped from the first configuration to a second configuration within the airway, the elongate body in the second configuration configured to resemble a baseball seam shape.

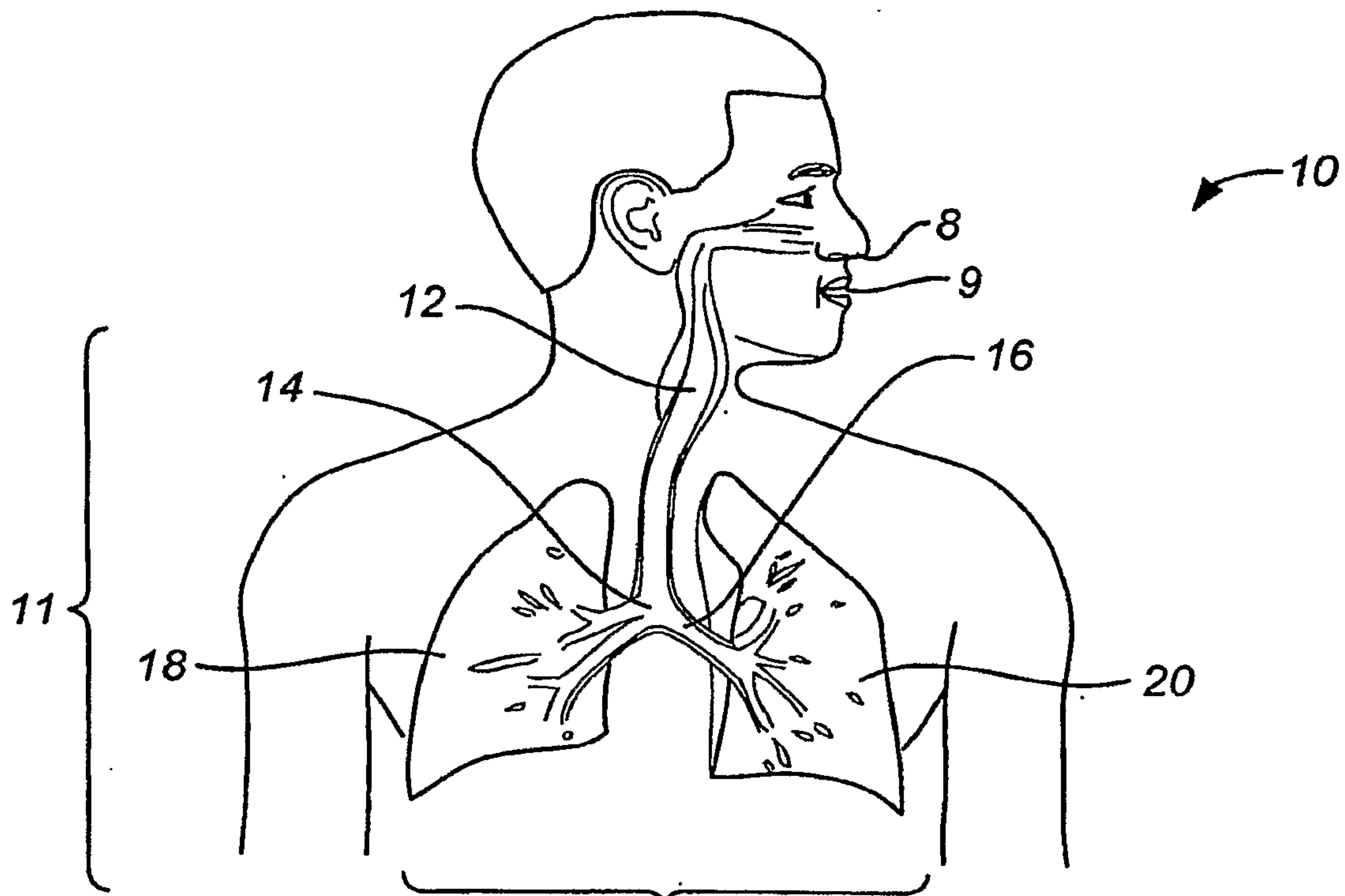


FIG. 1A

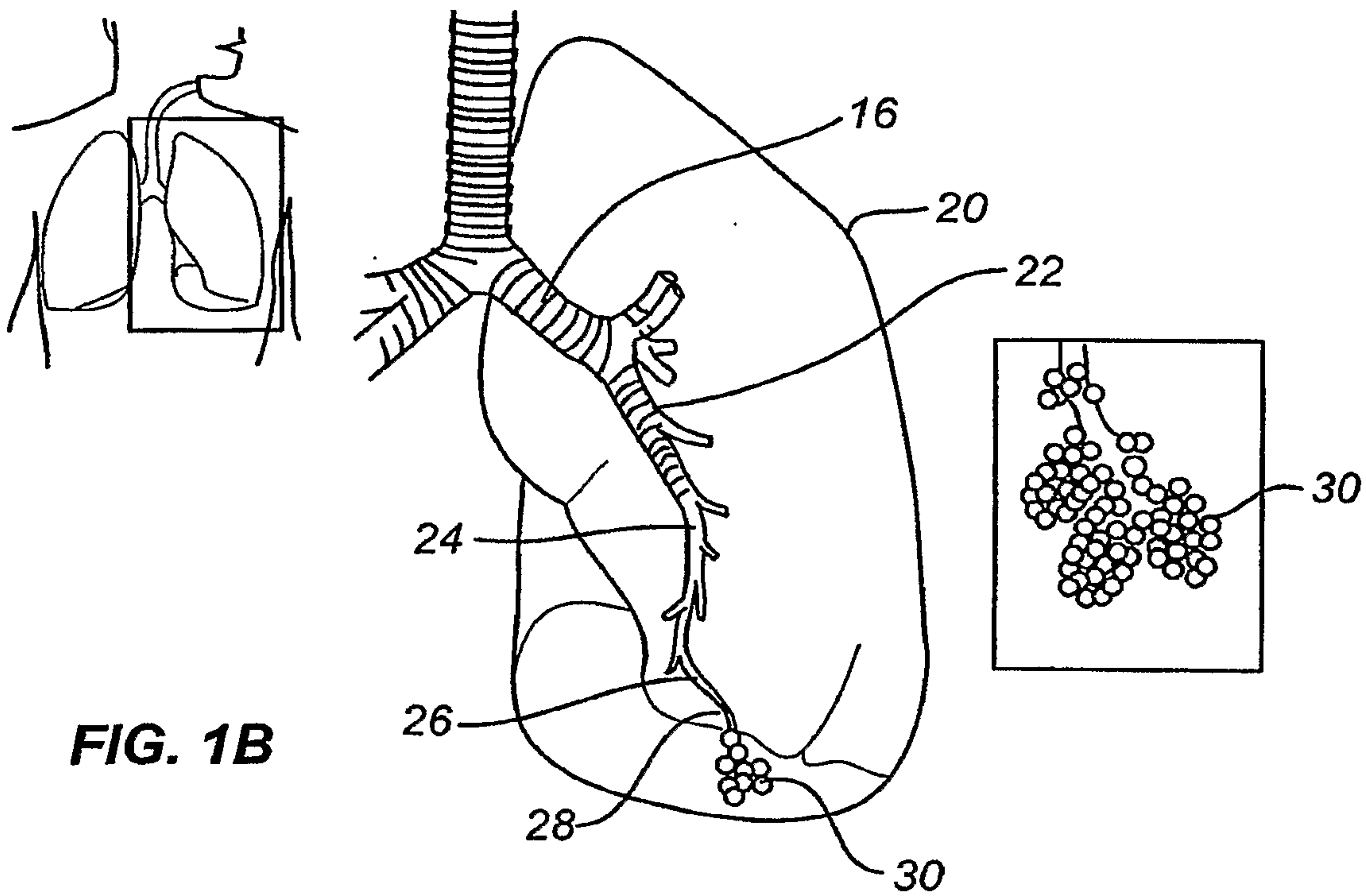


FIG. 1B

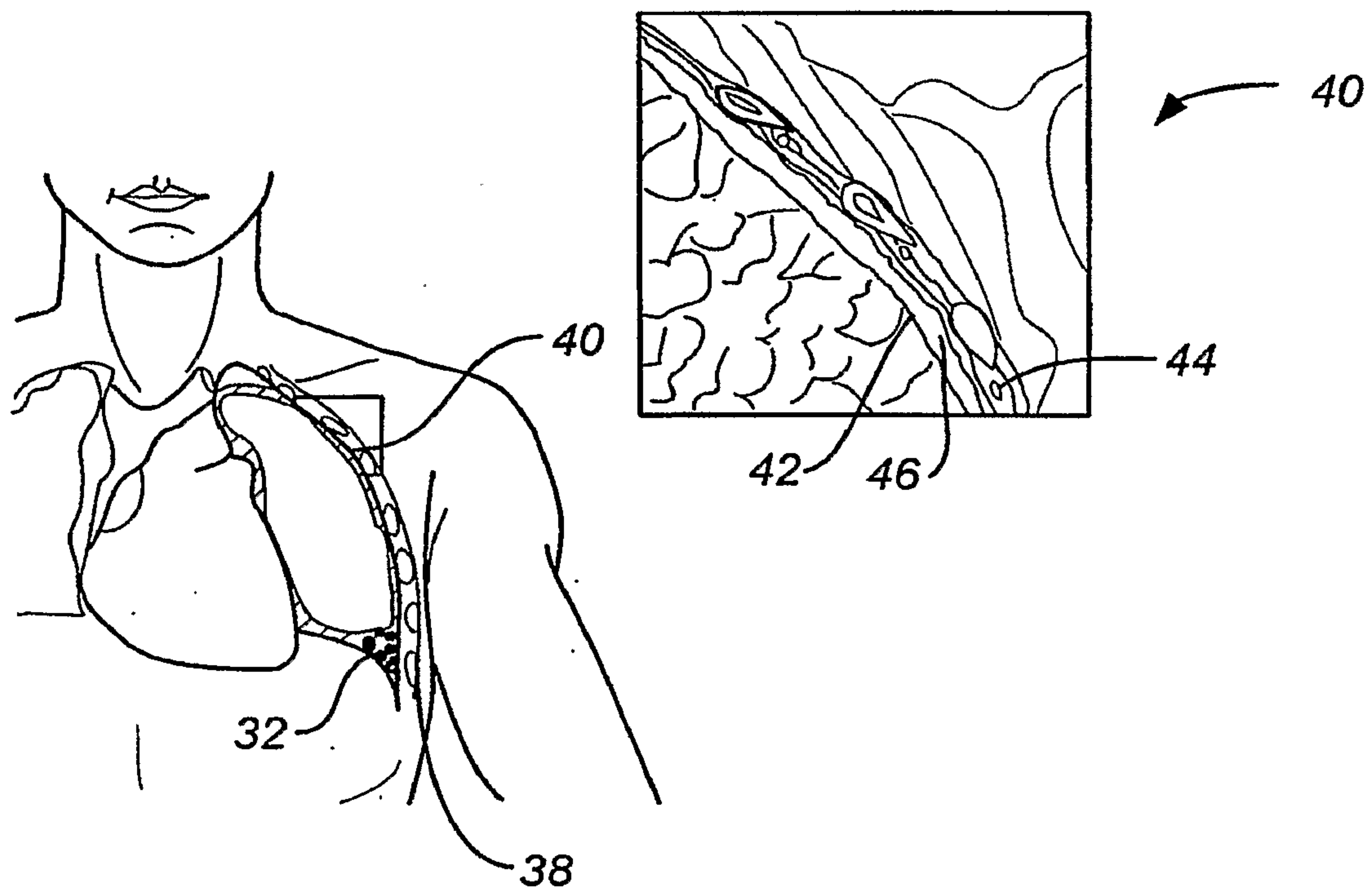


FIG. 1C

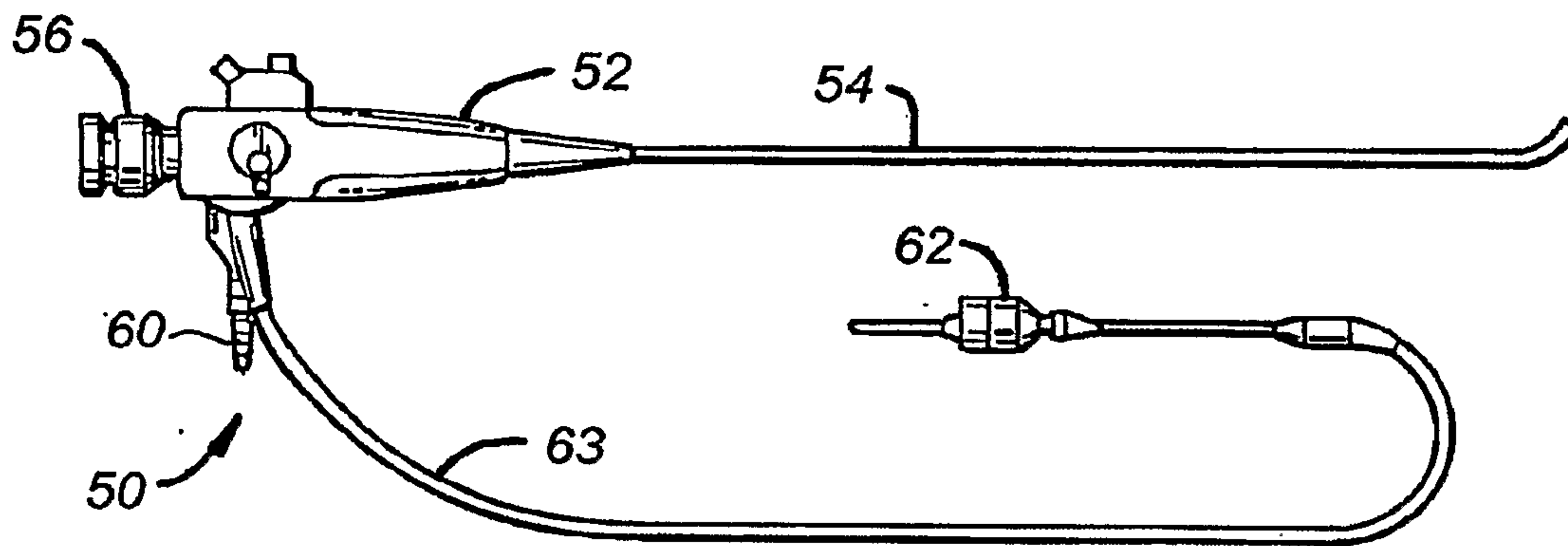


FIG. 2A

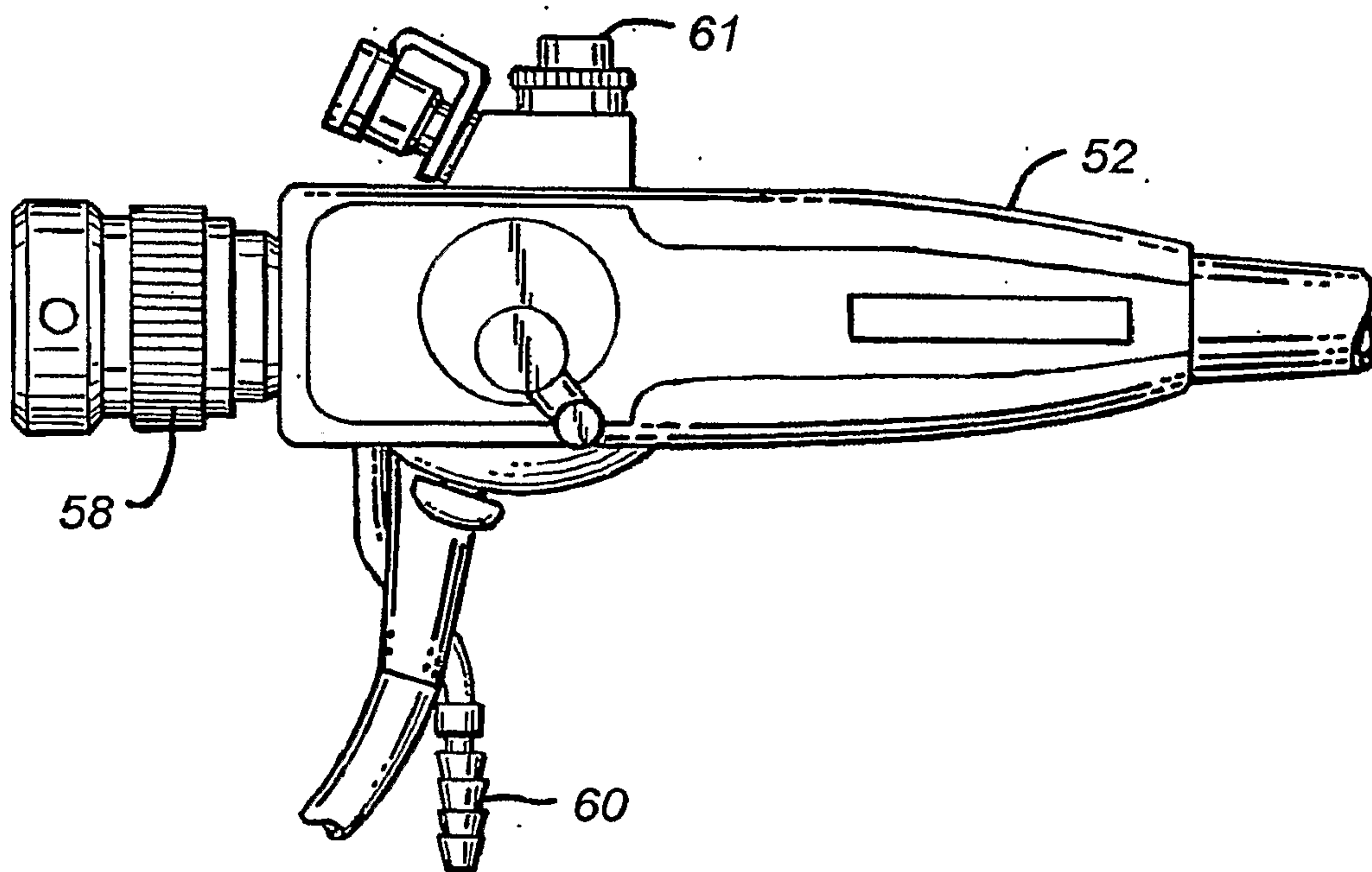


FIG. 2B

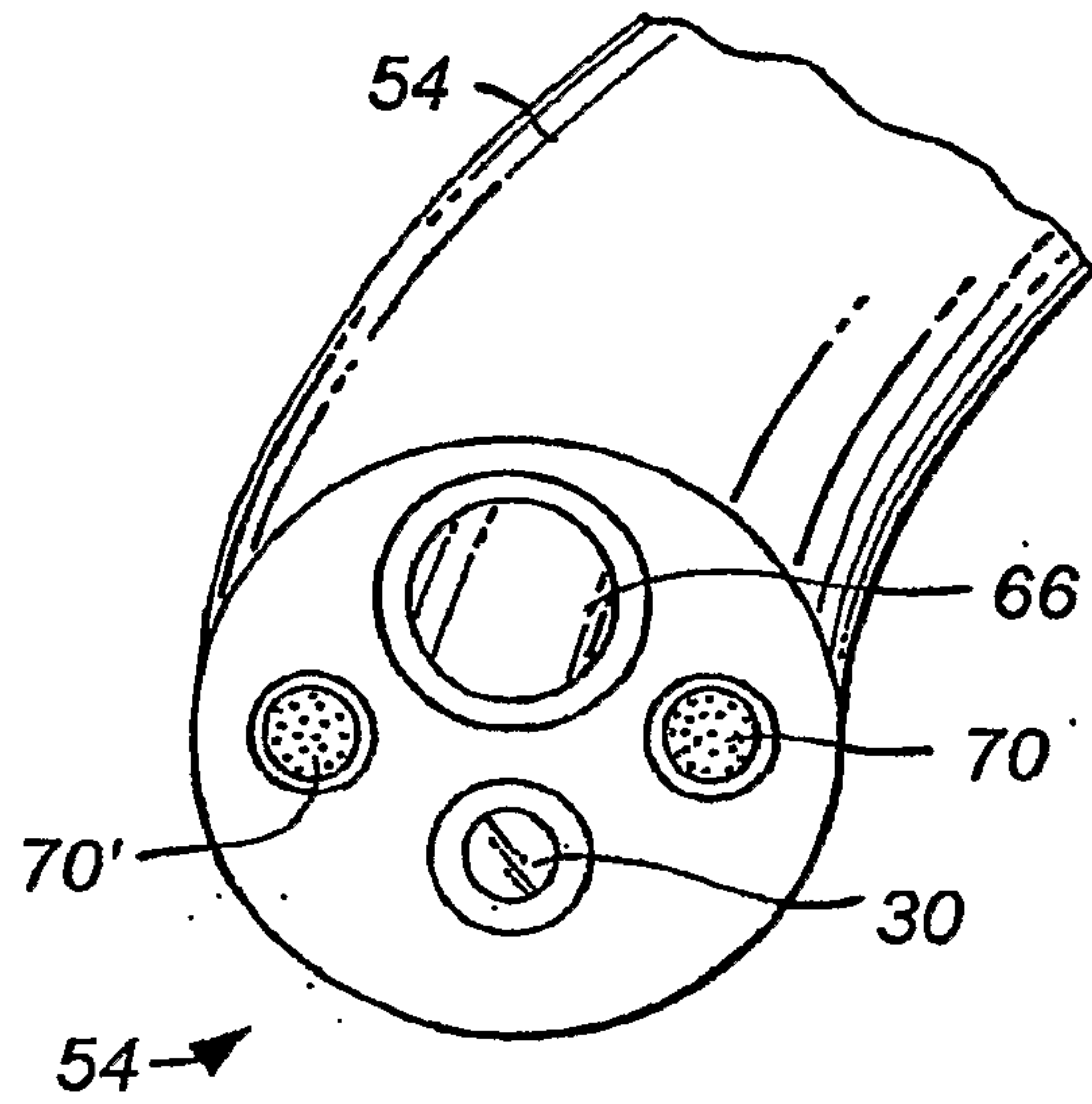


FIG. 2C

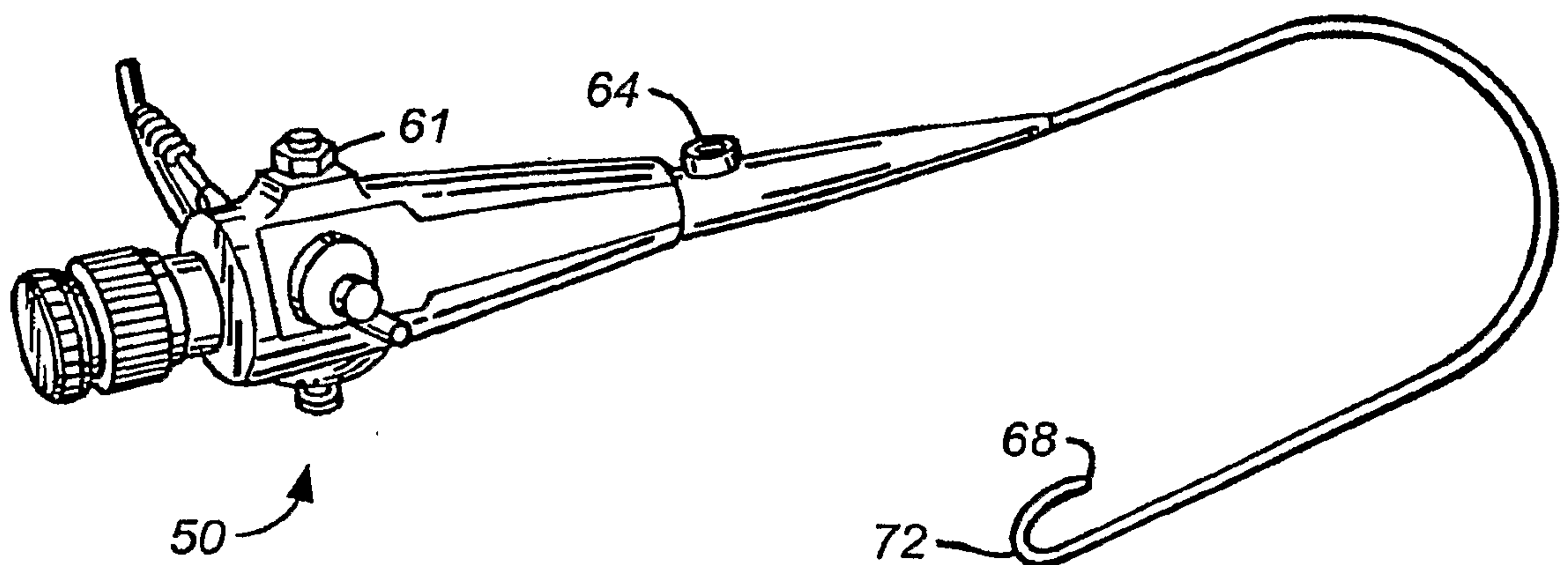


FIG. 2D

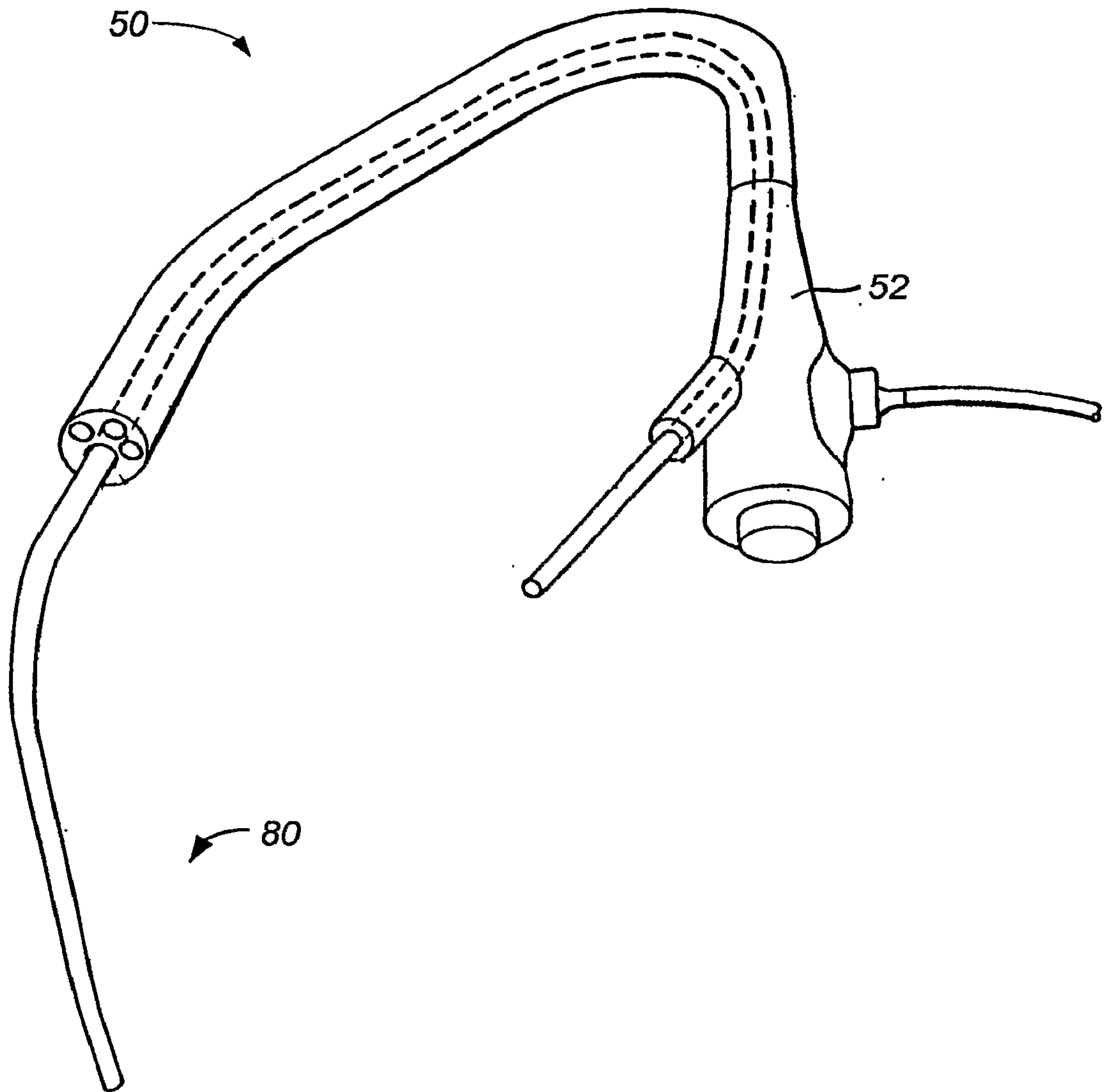


FIG. 3

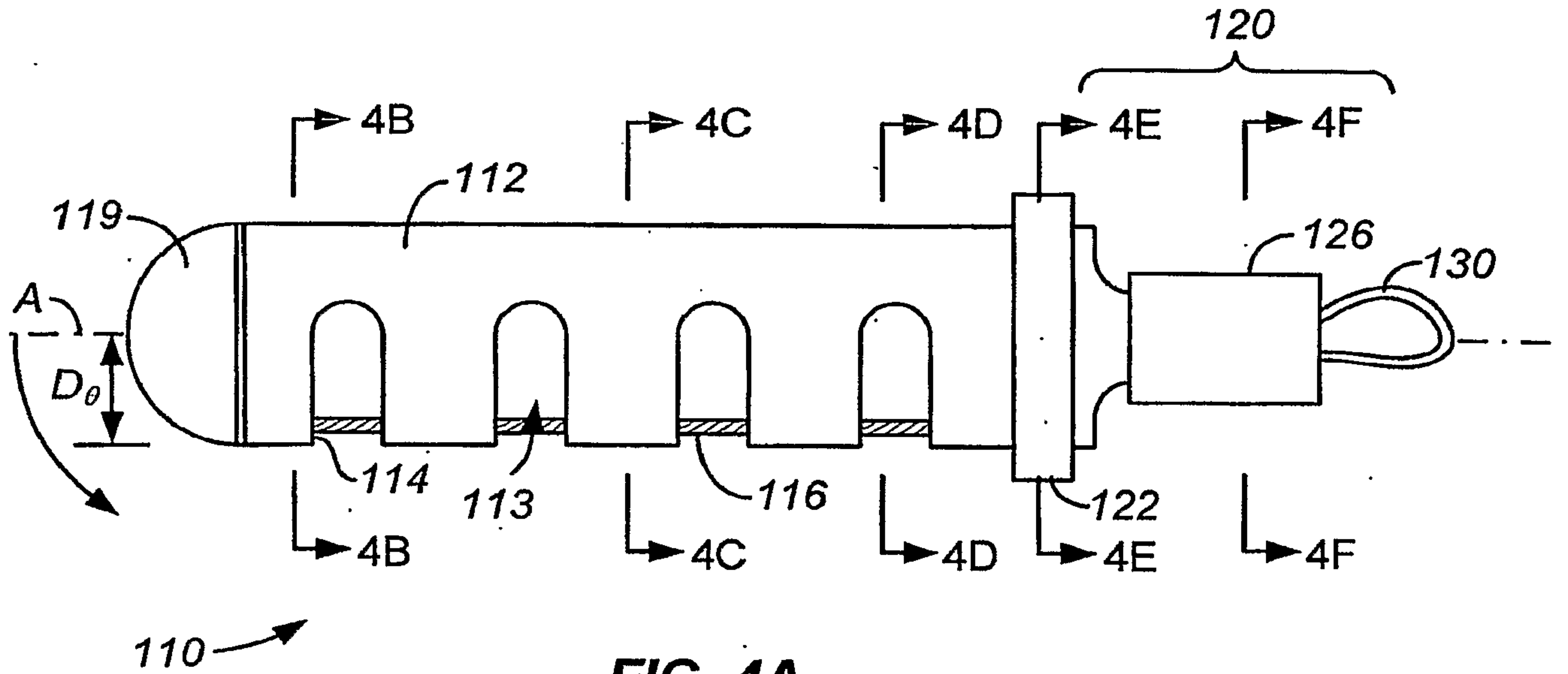


FIG. 4A

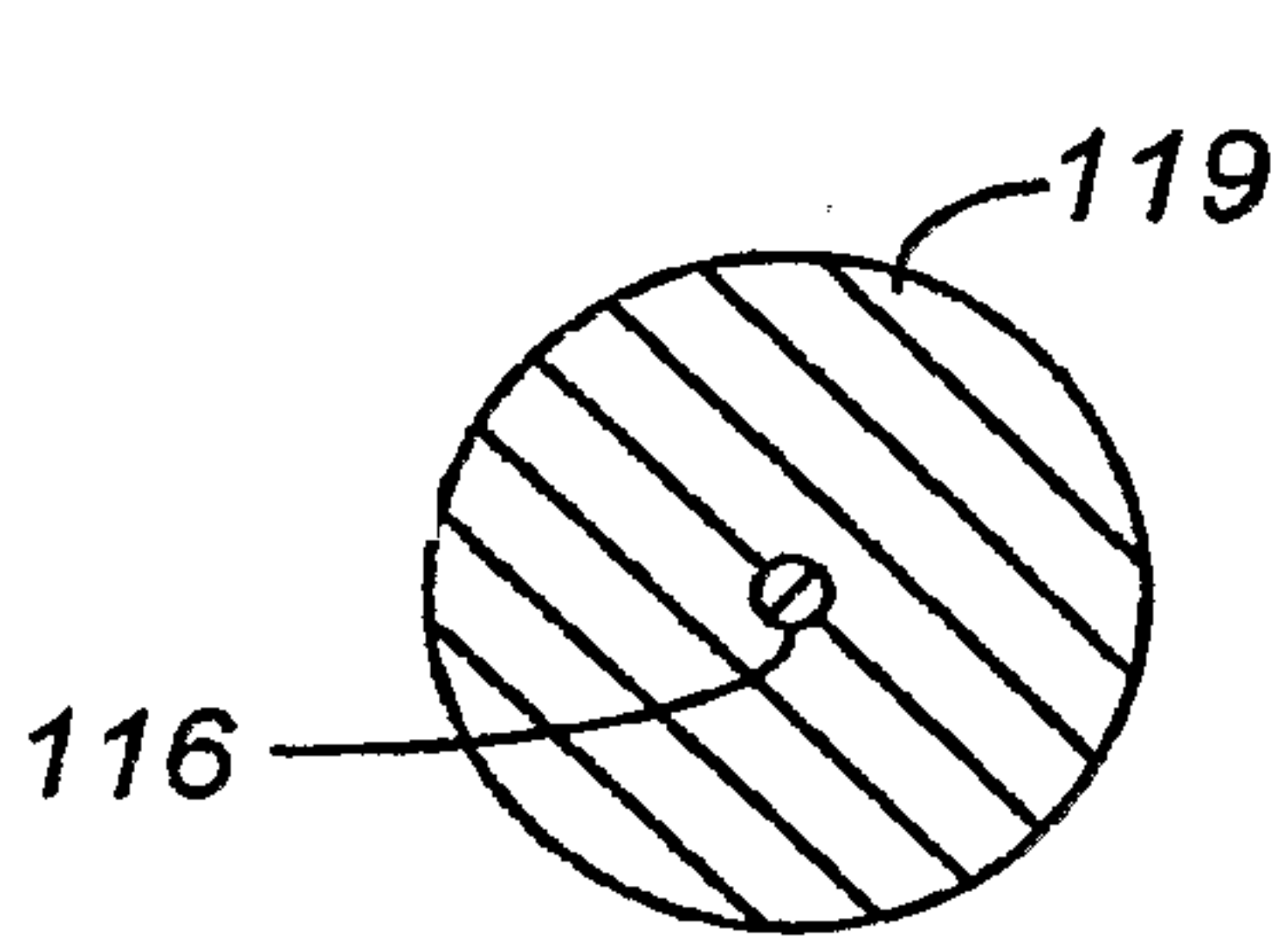


FIG. 4B

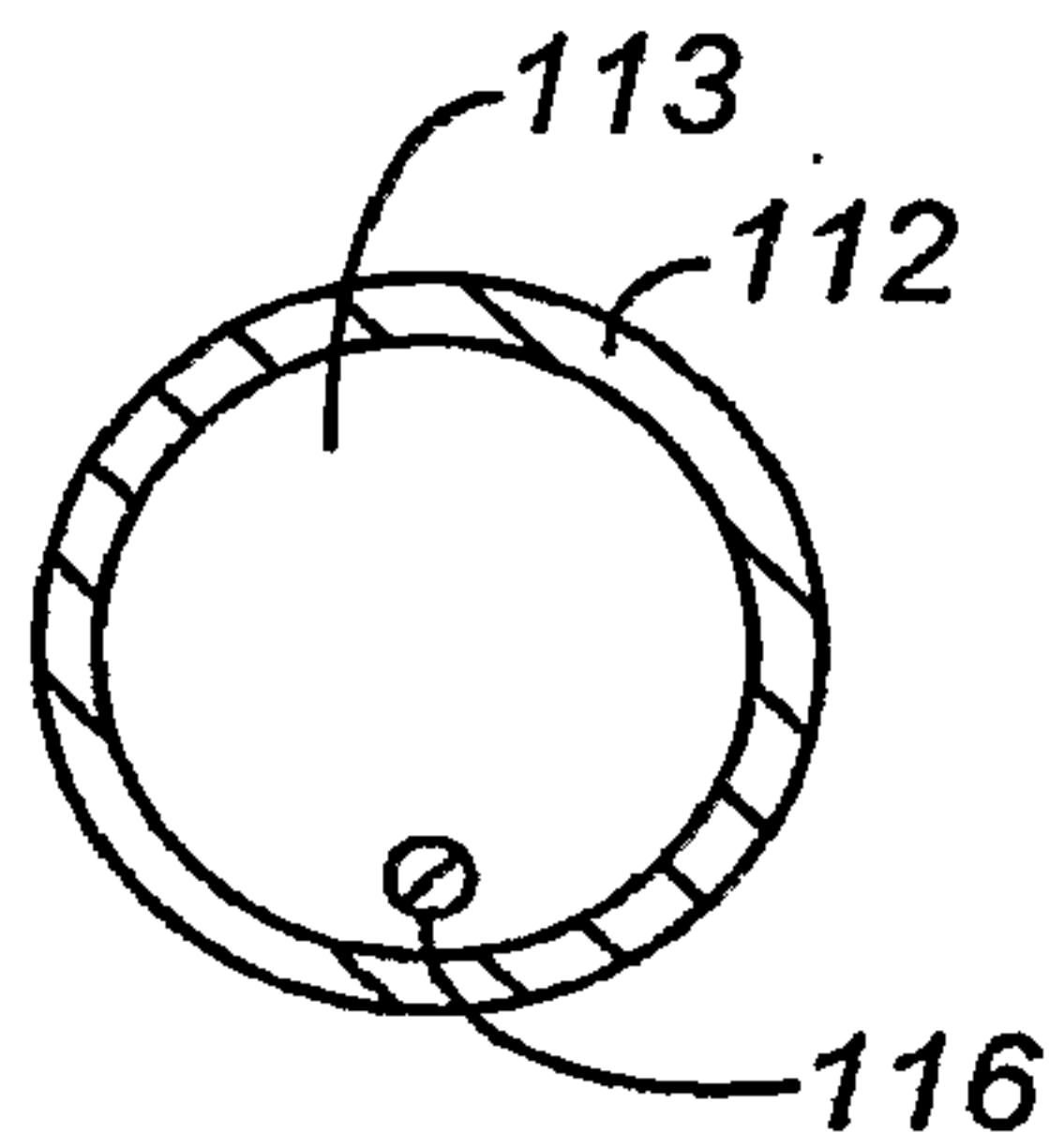


FIG. 4C

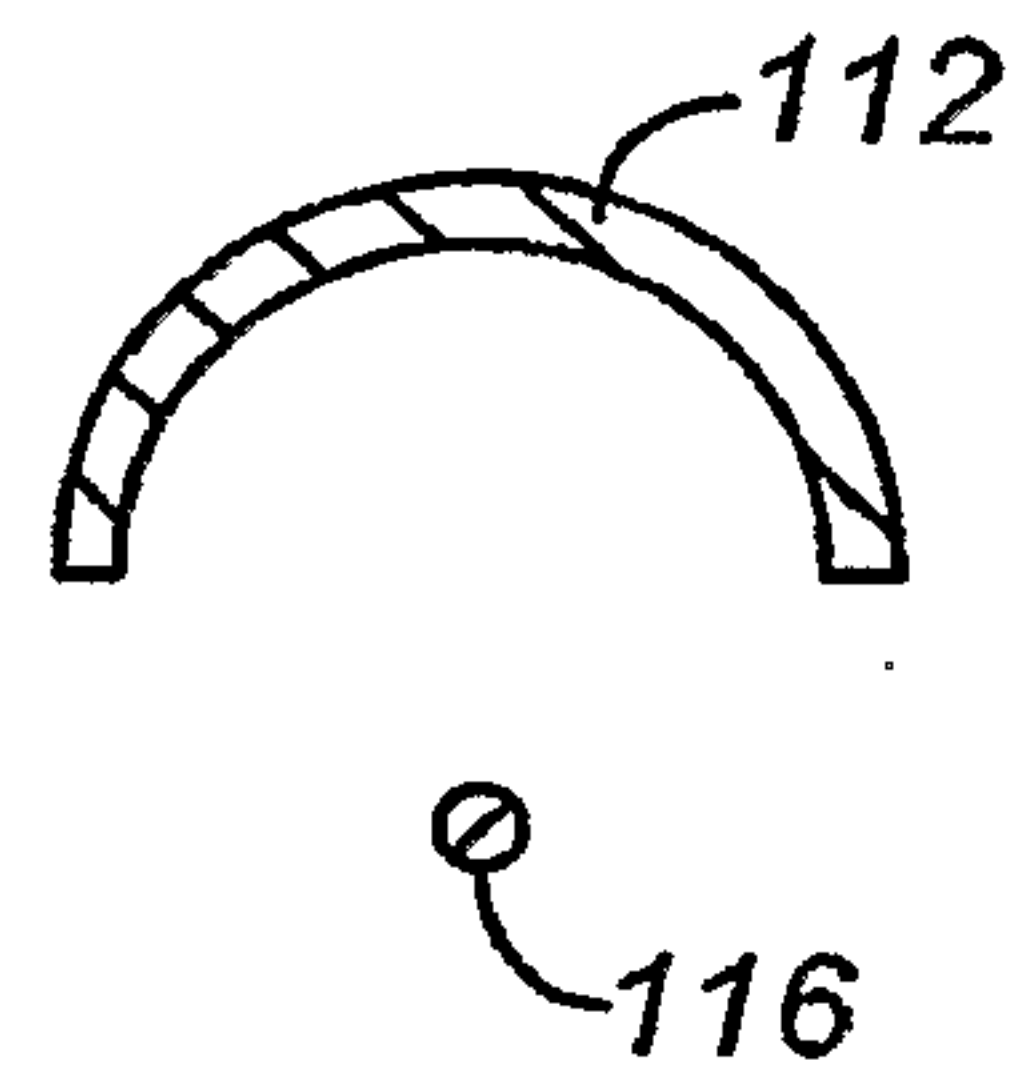


FIG. 4D

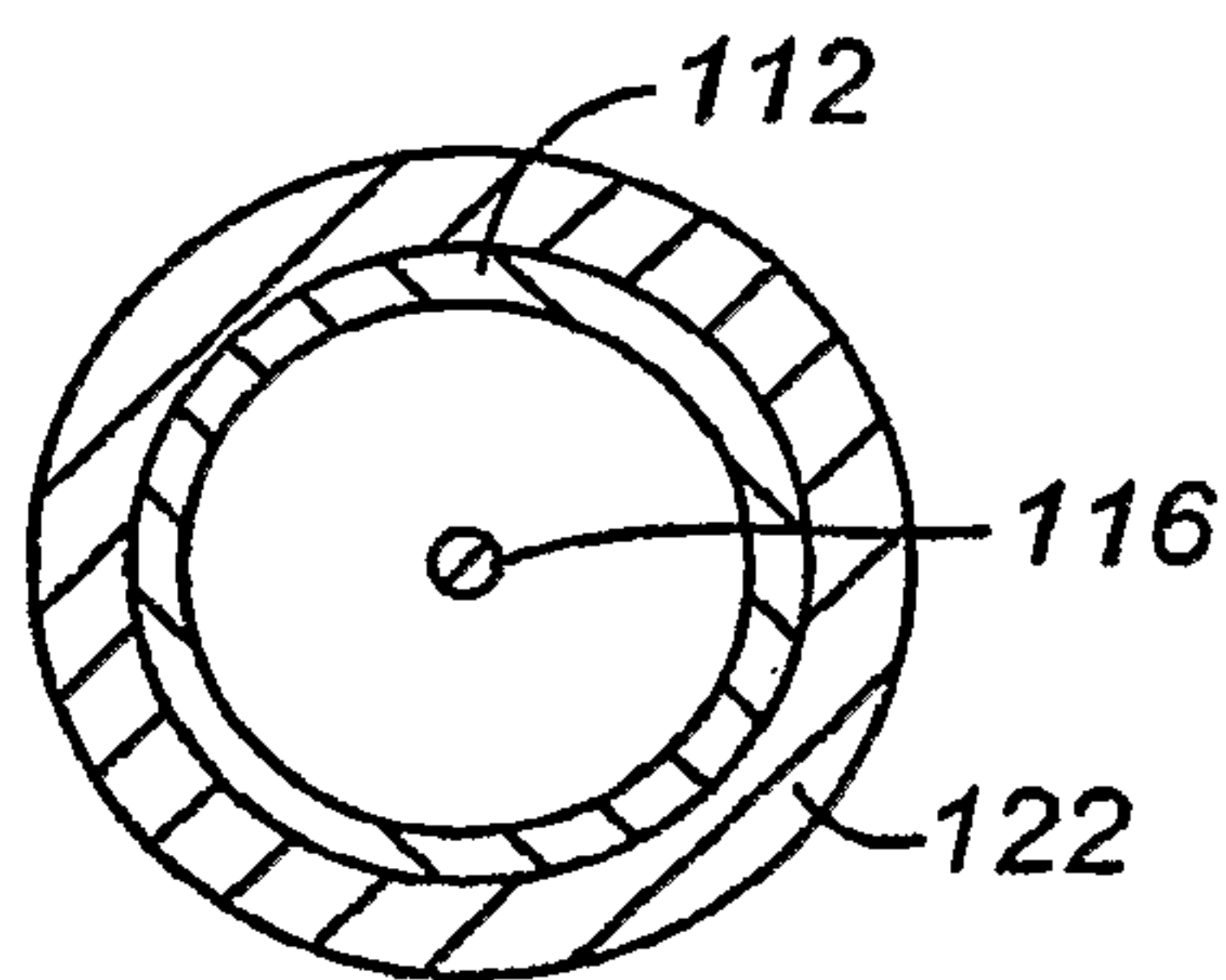


FIG. 4E

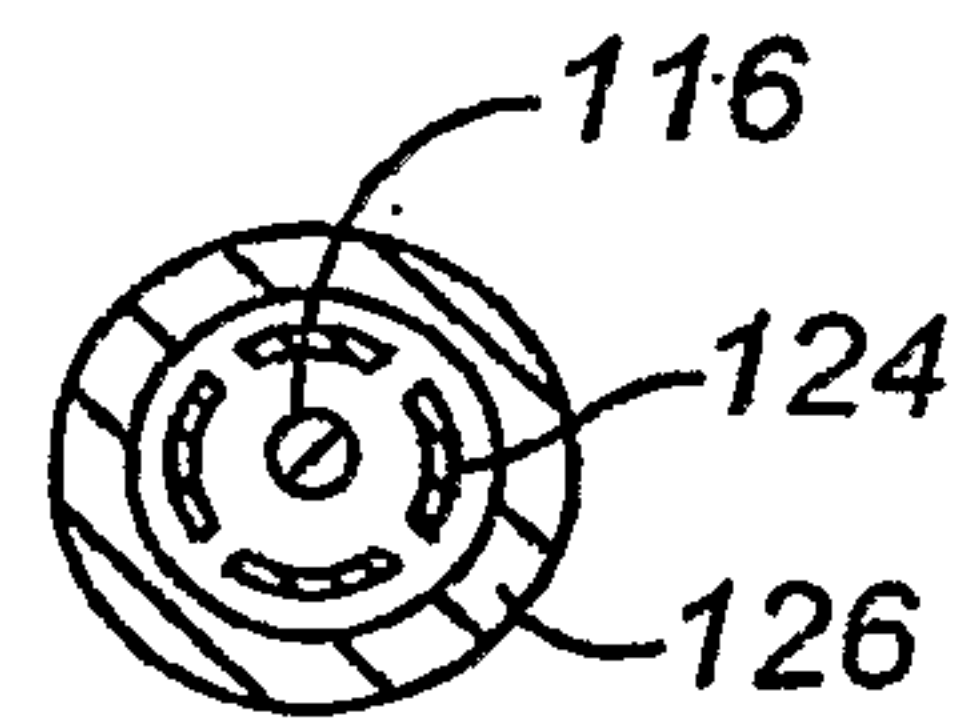


FIG. 4F

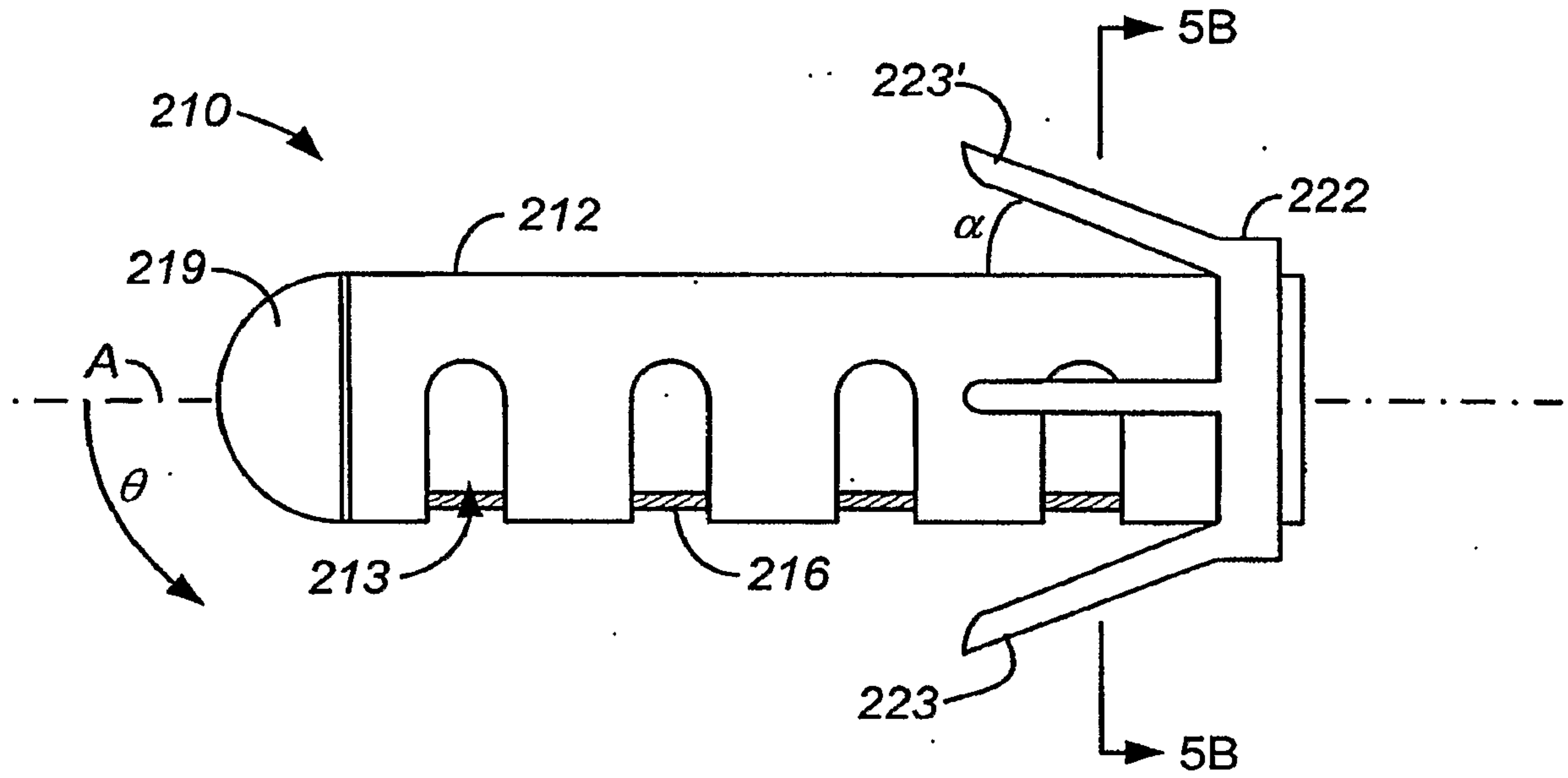


FIG. 5A

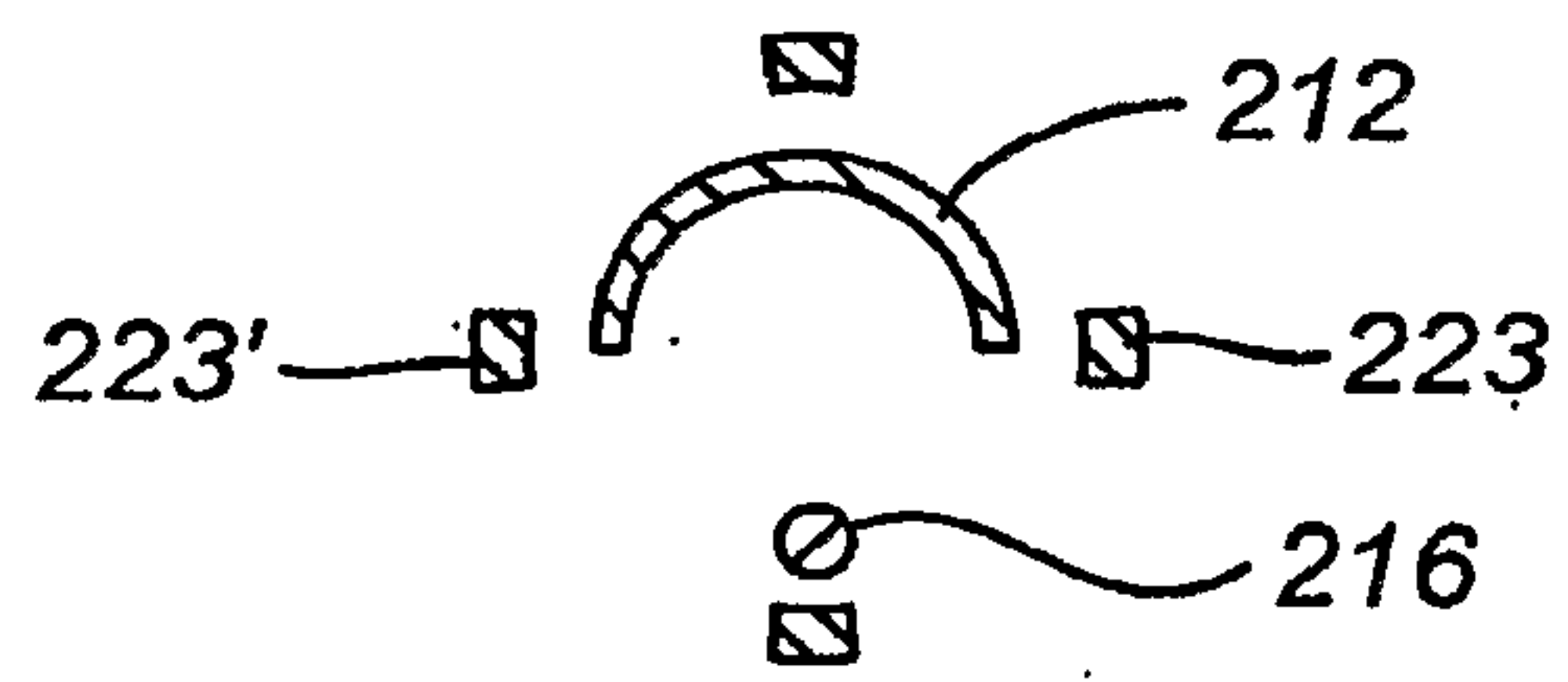


FIG. 5B

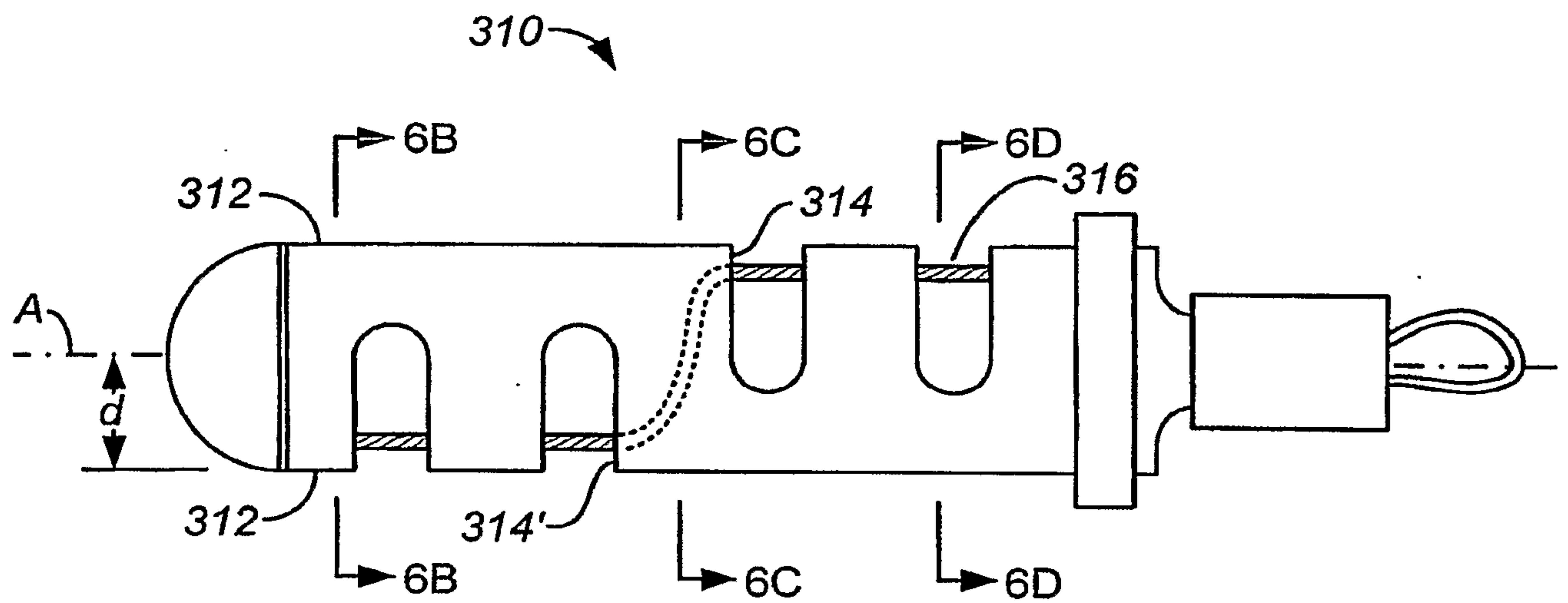


FIG. 6A

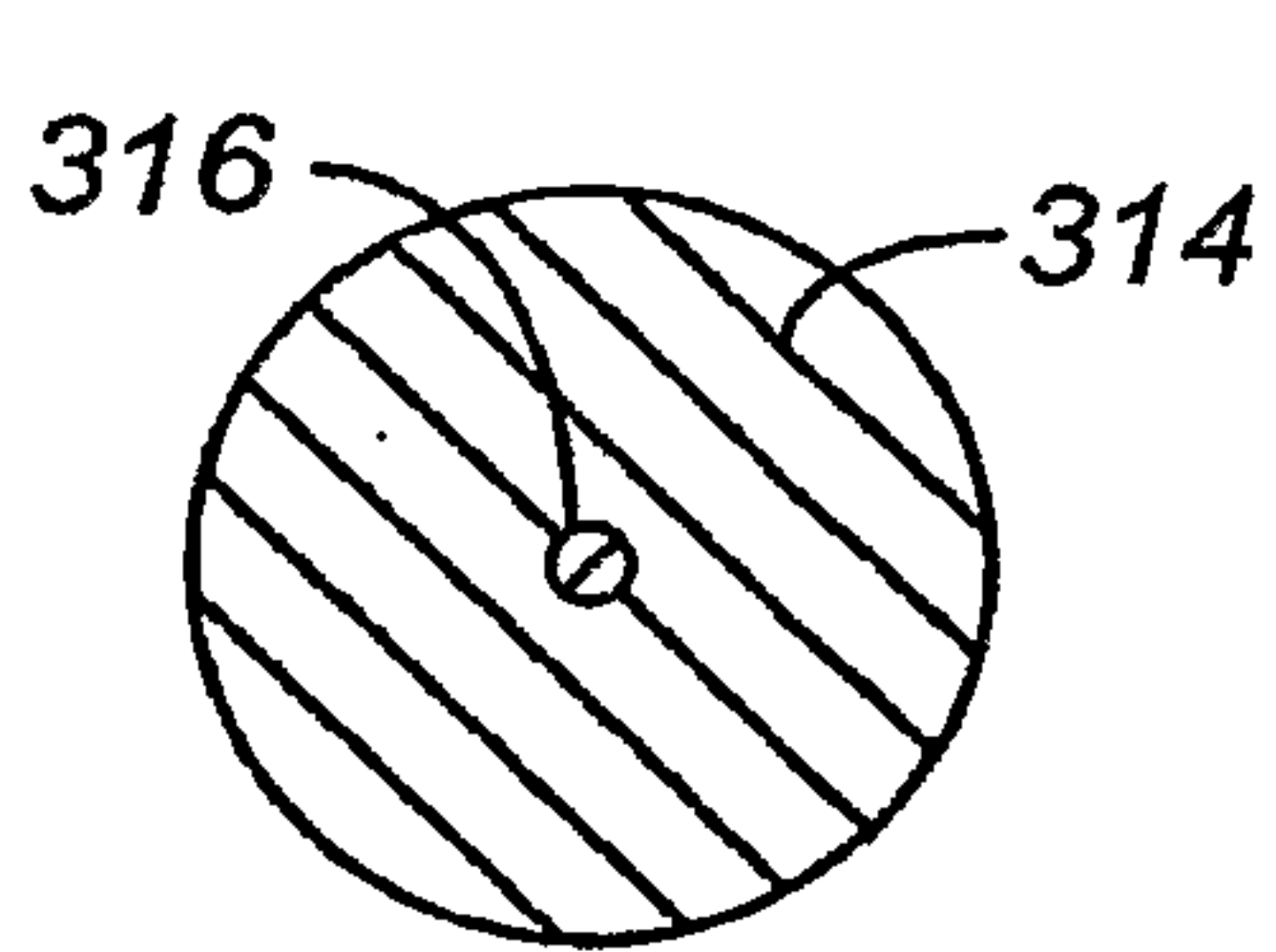


FIG. 6B

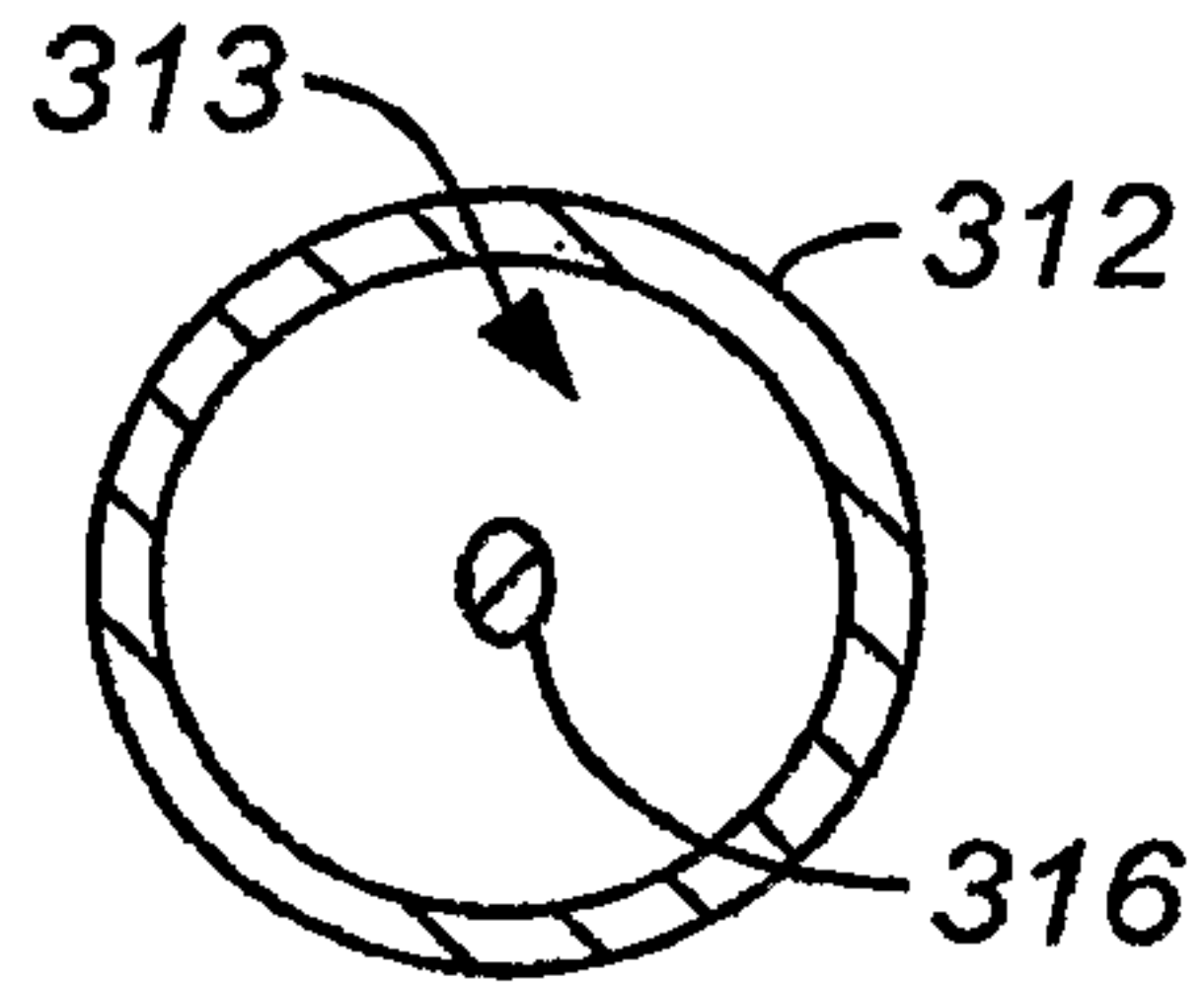


FIG. 6C

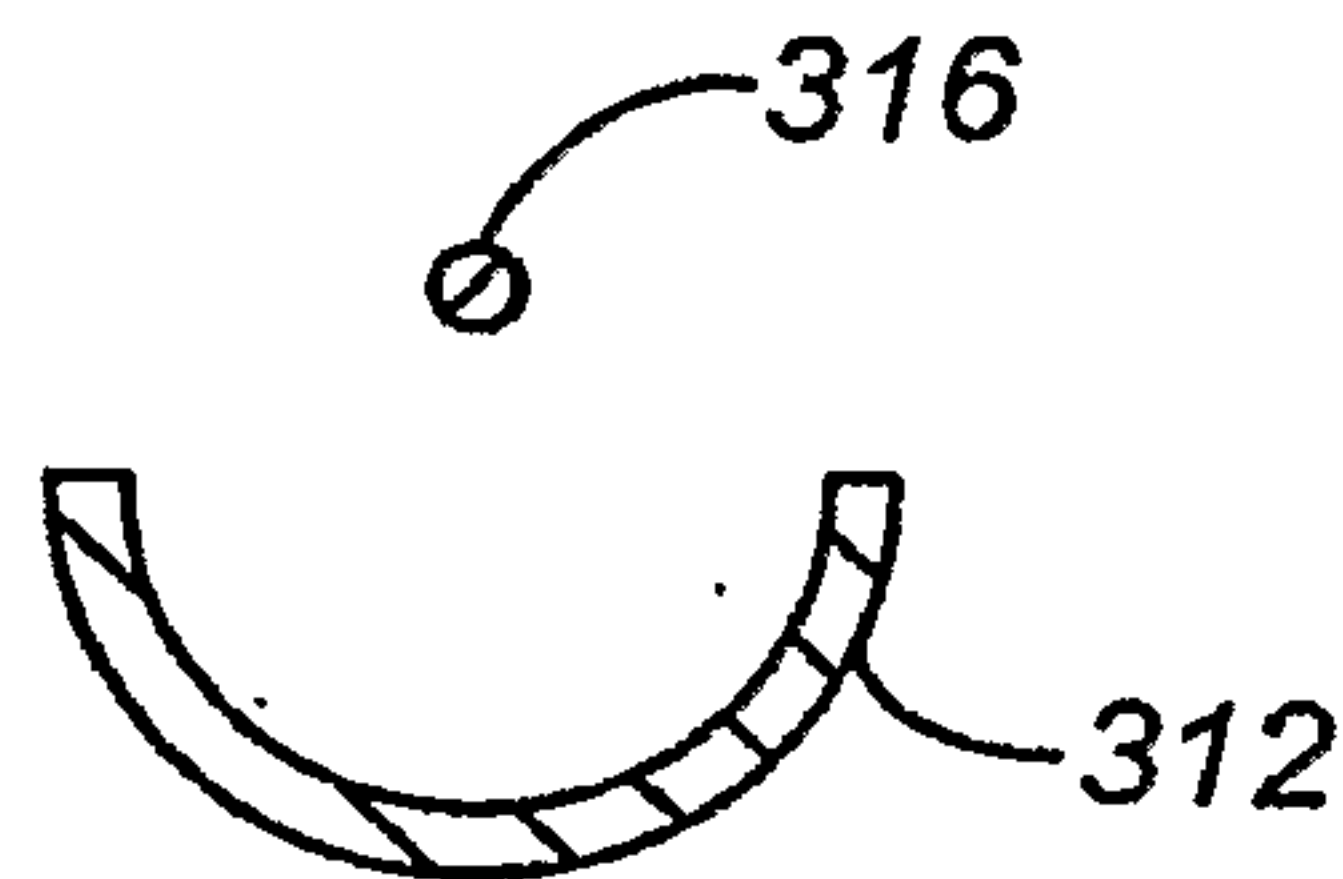


FIG. 6D

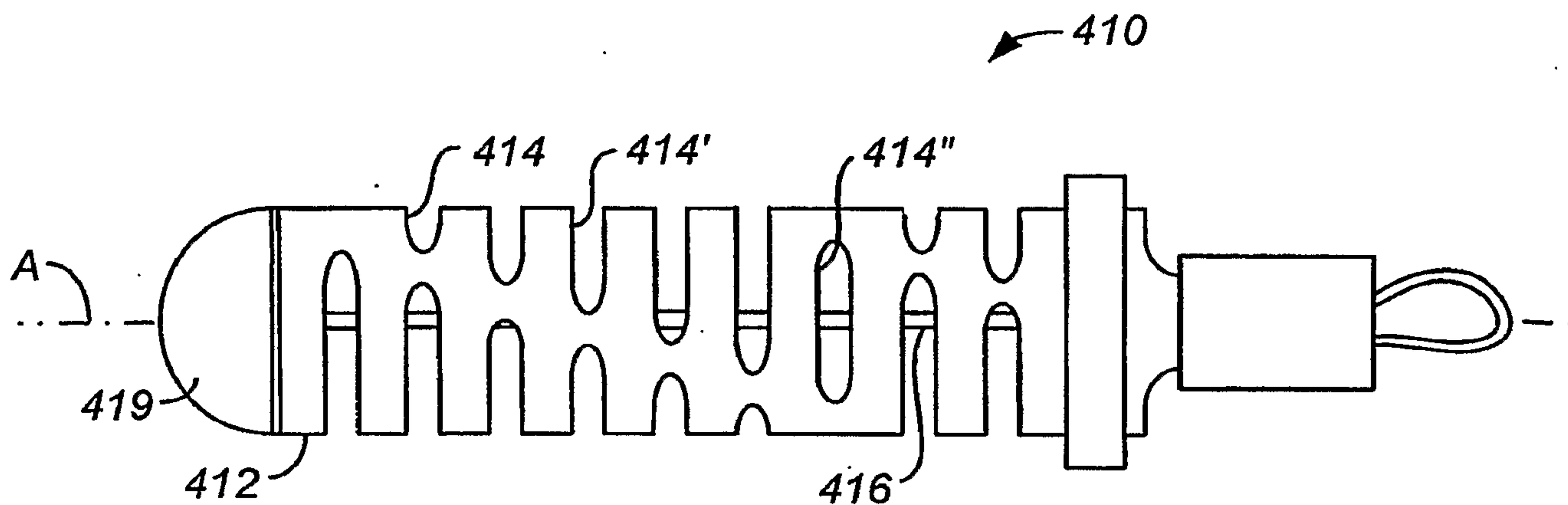


FIG. 7

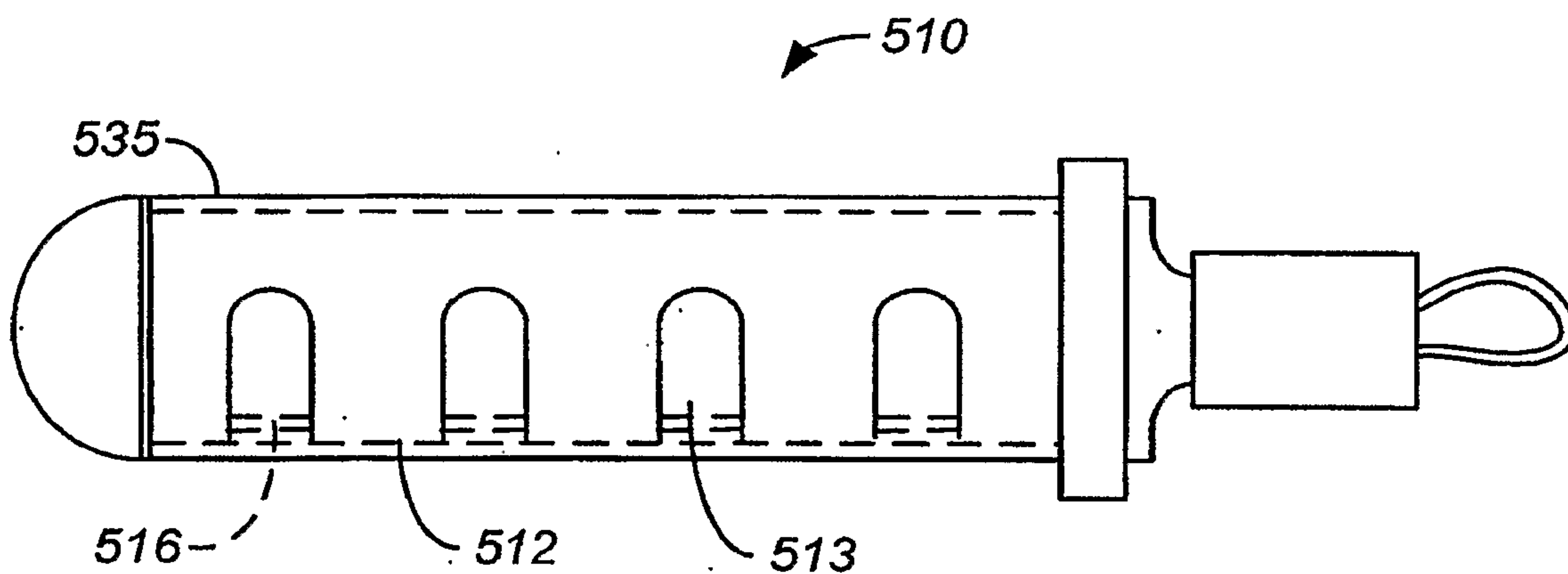


FIG. 8

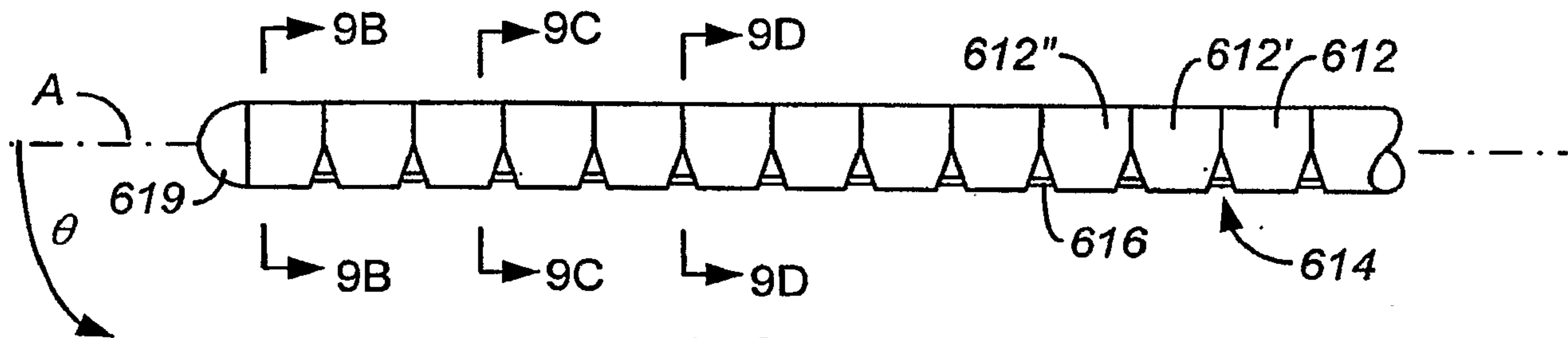


FIG. 9A

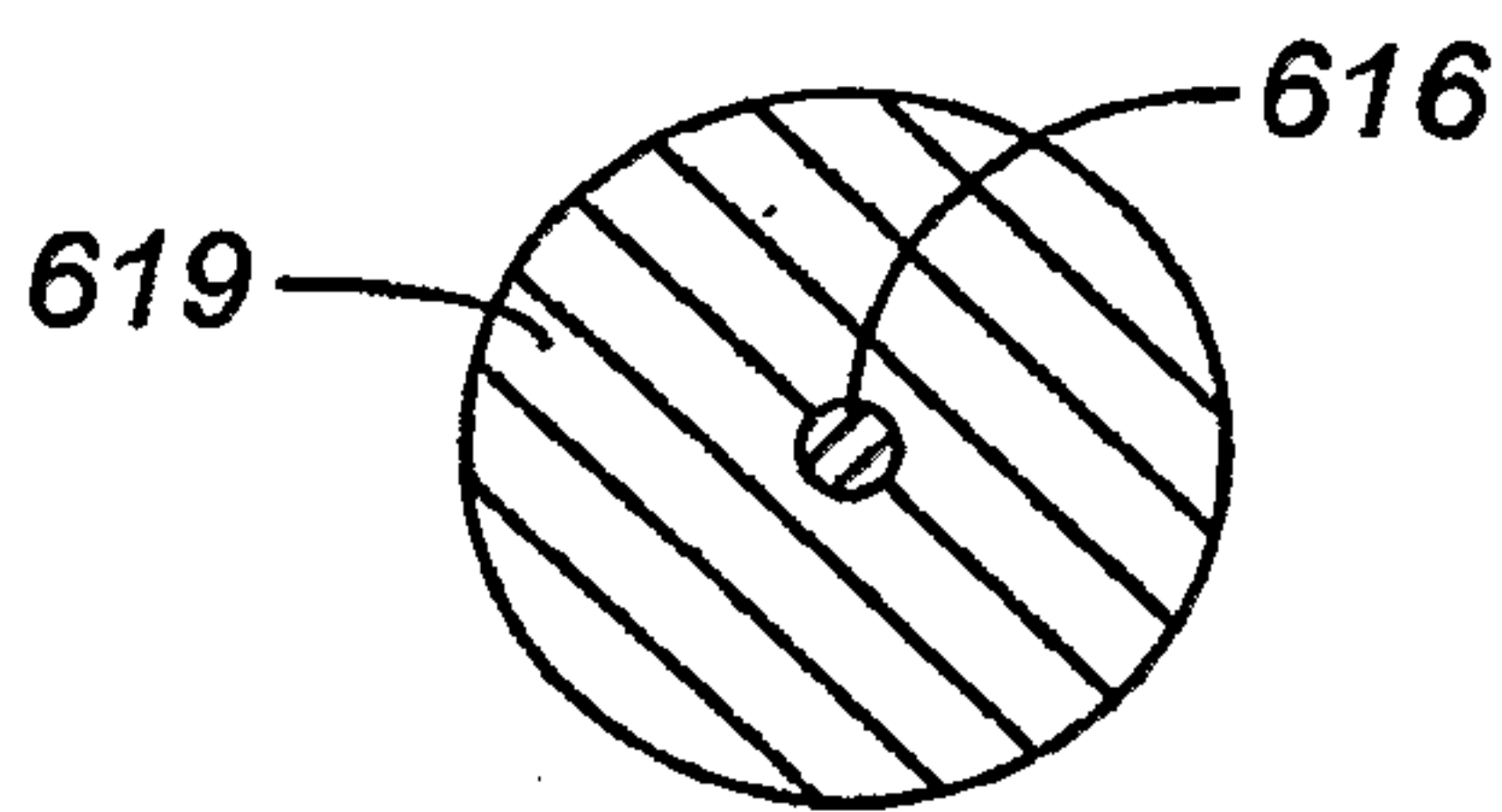


FIG. 9B

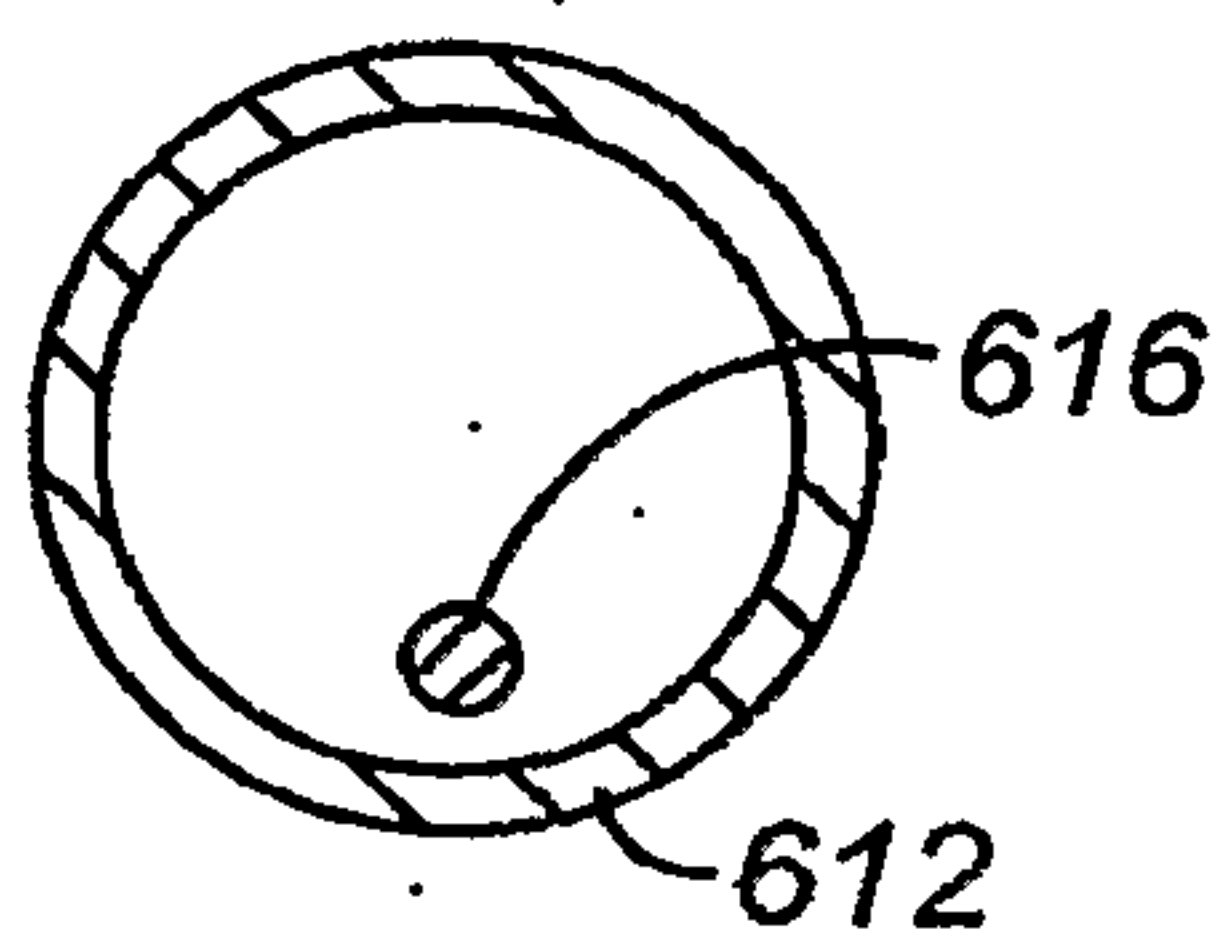


FIG. 9C

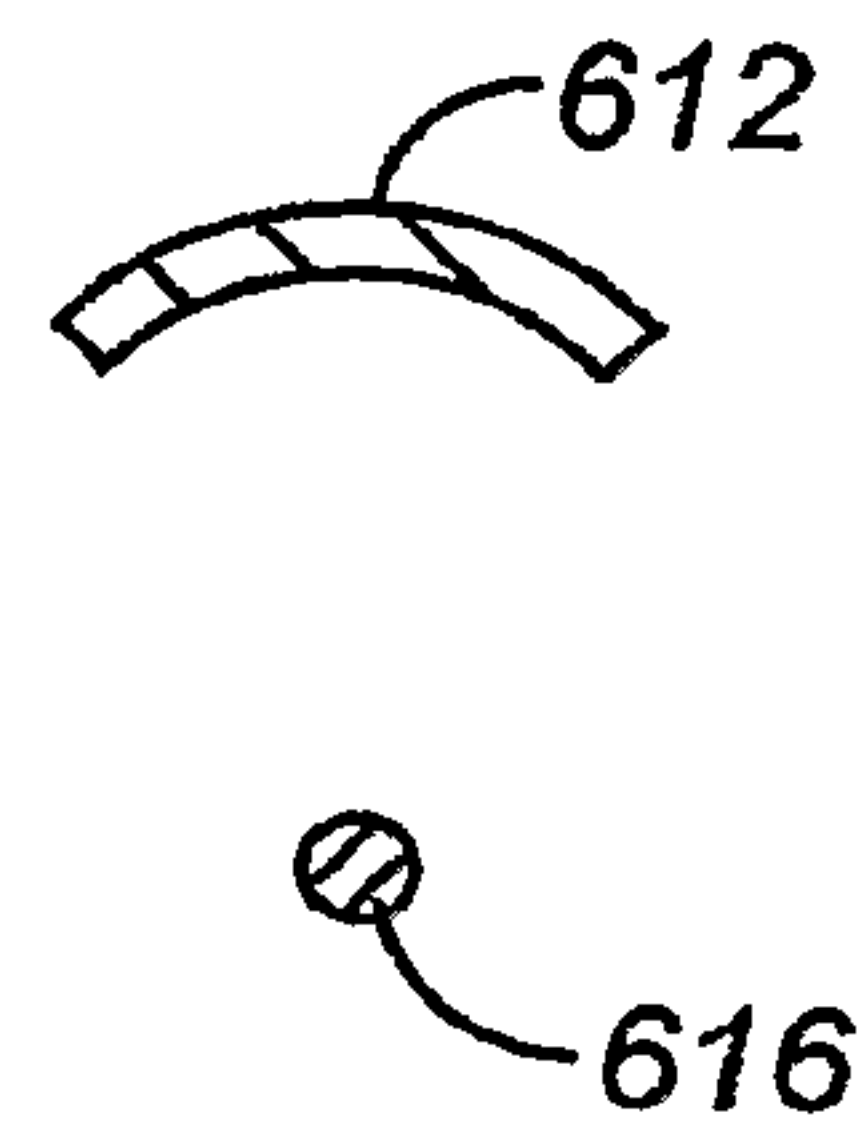


FIG. 9D

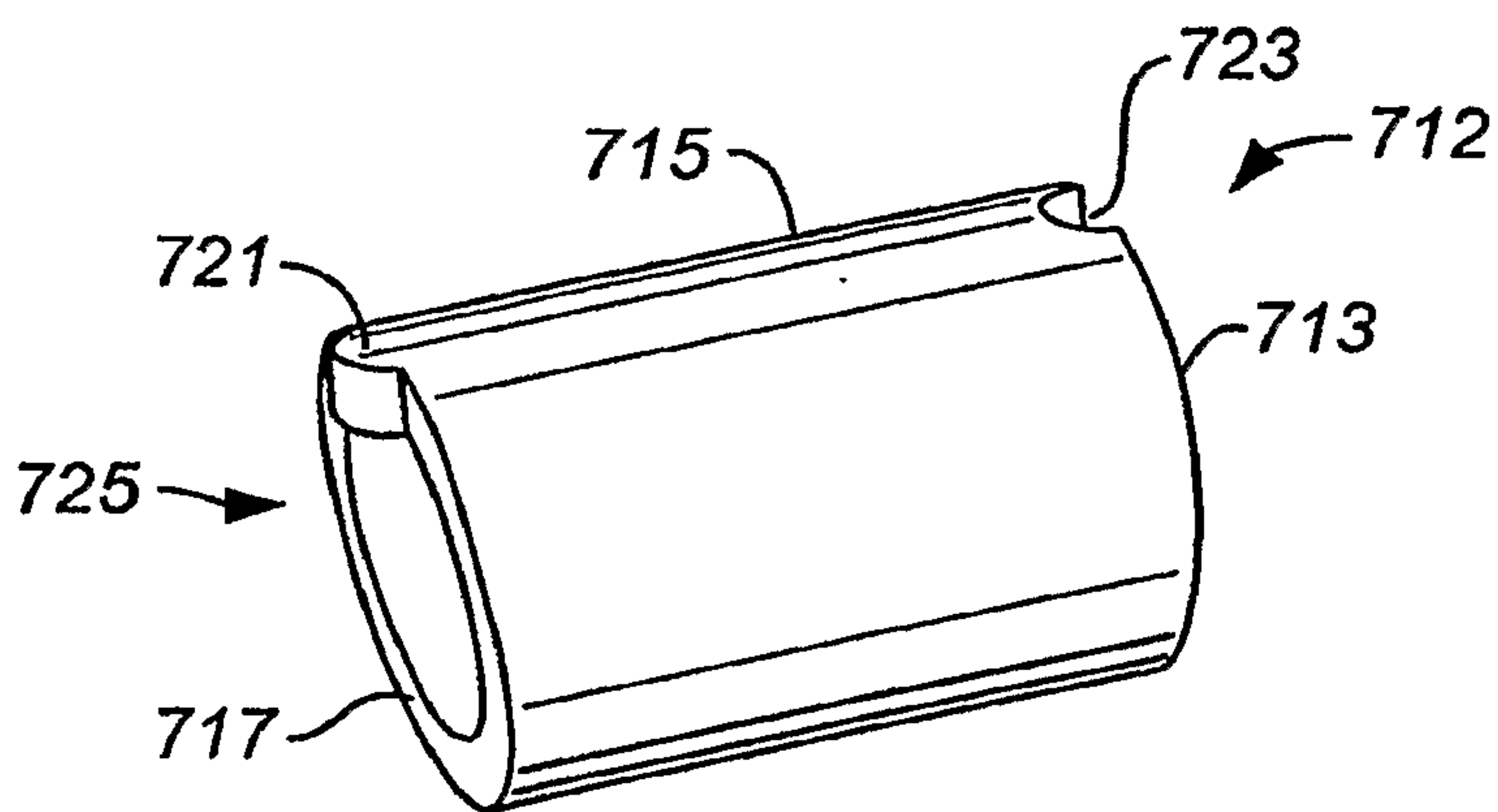


FIG. 10A

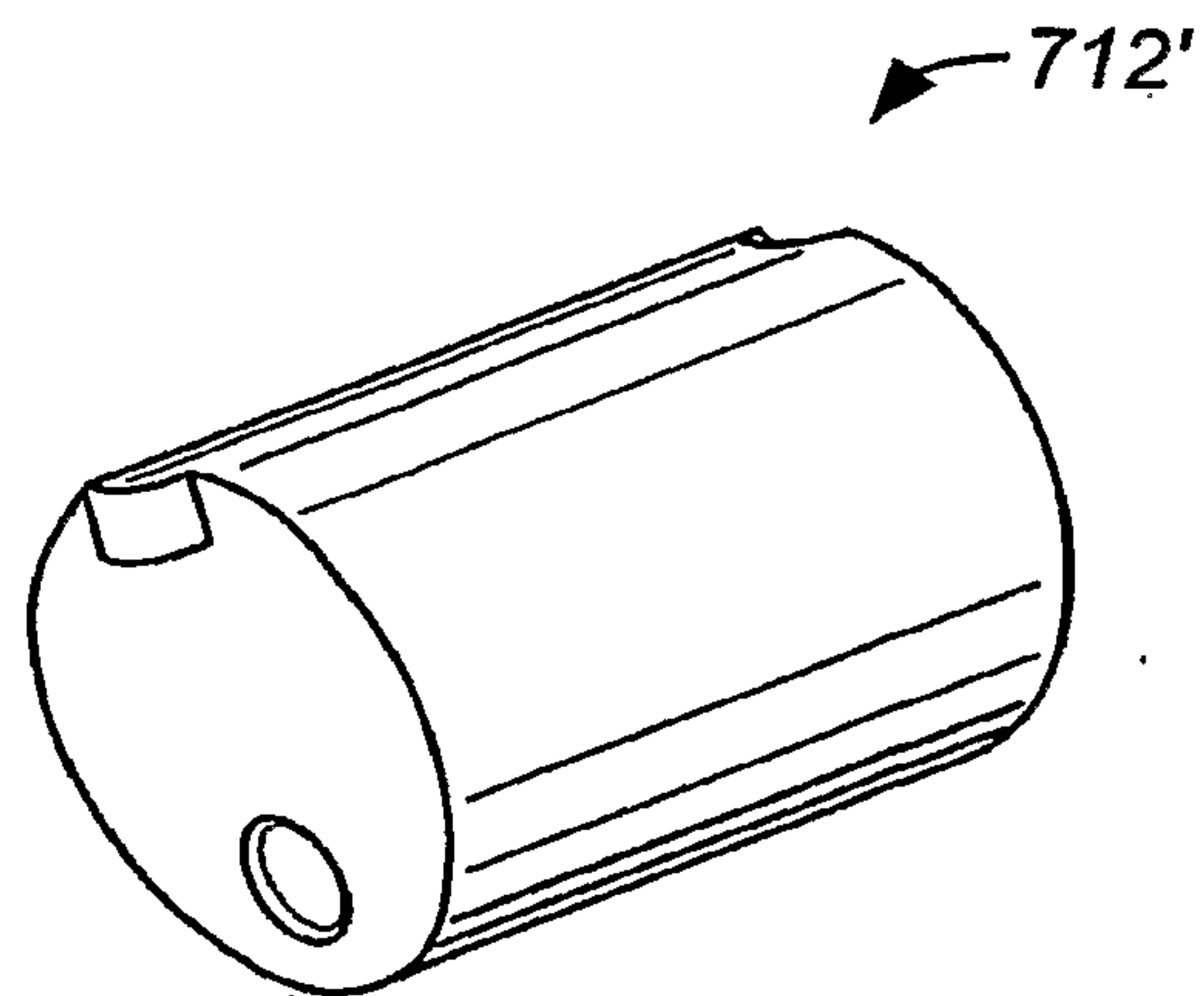


FIG. 10B

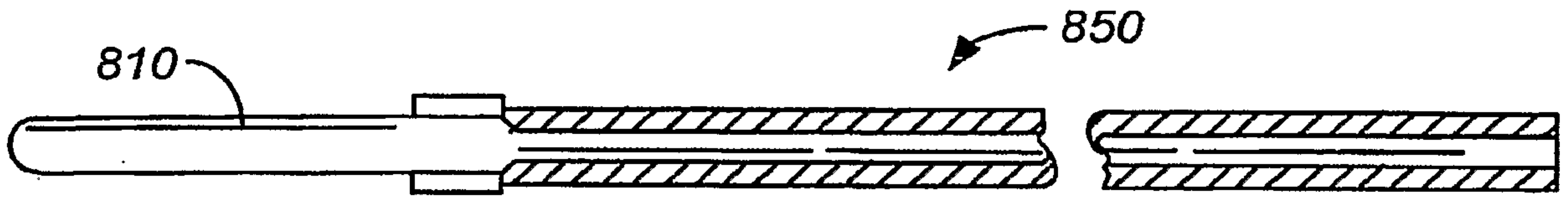


FIG. 11A

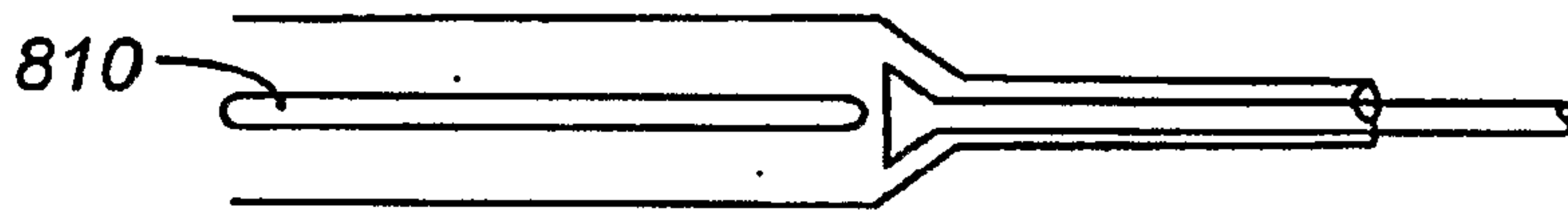


FIG. 11B

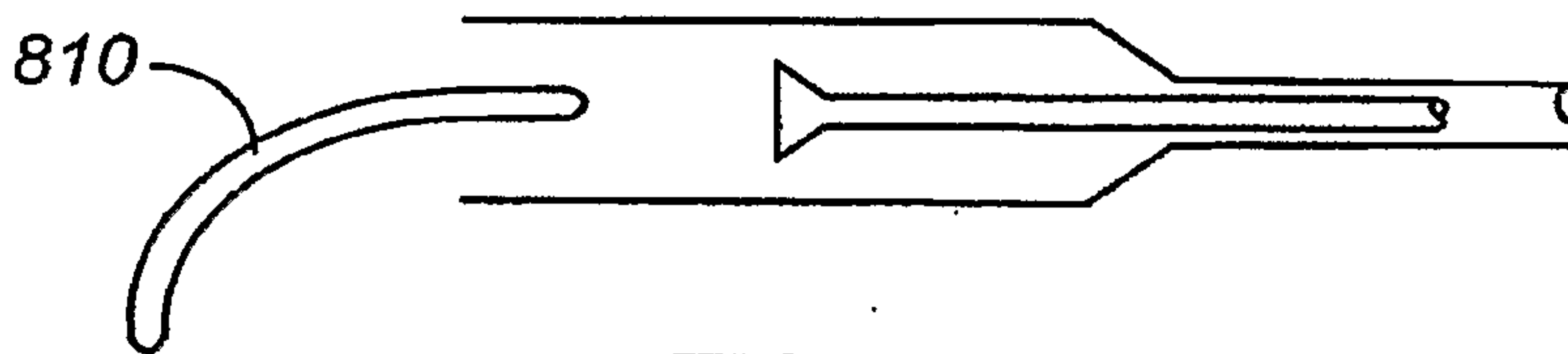


FIG. 11C

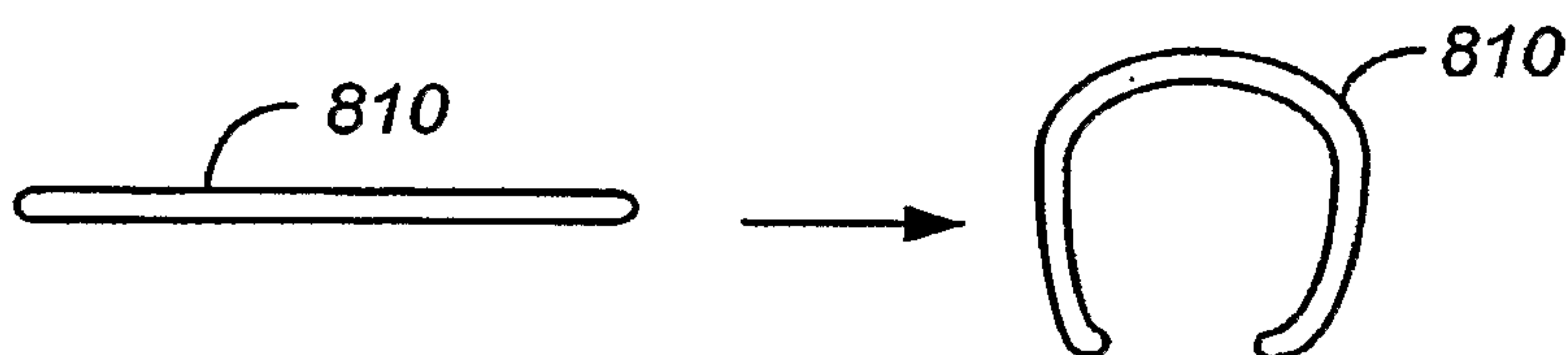


FIG. 11D

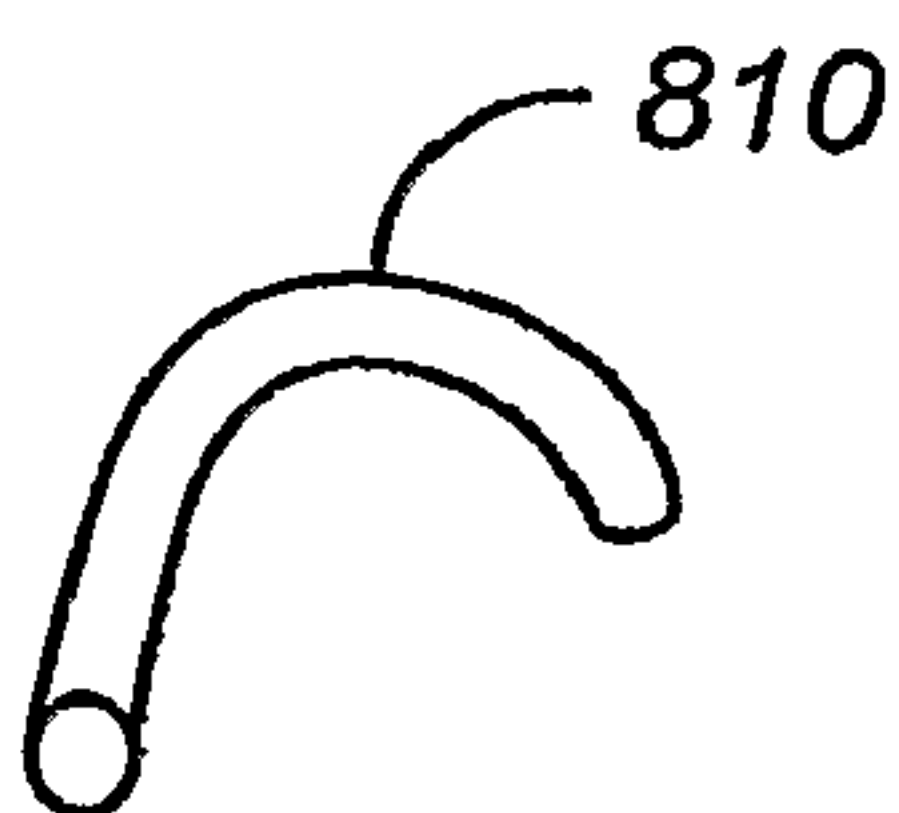


FIG. 11E

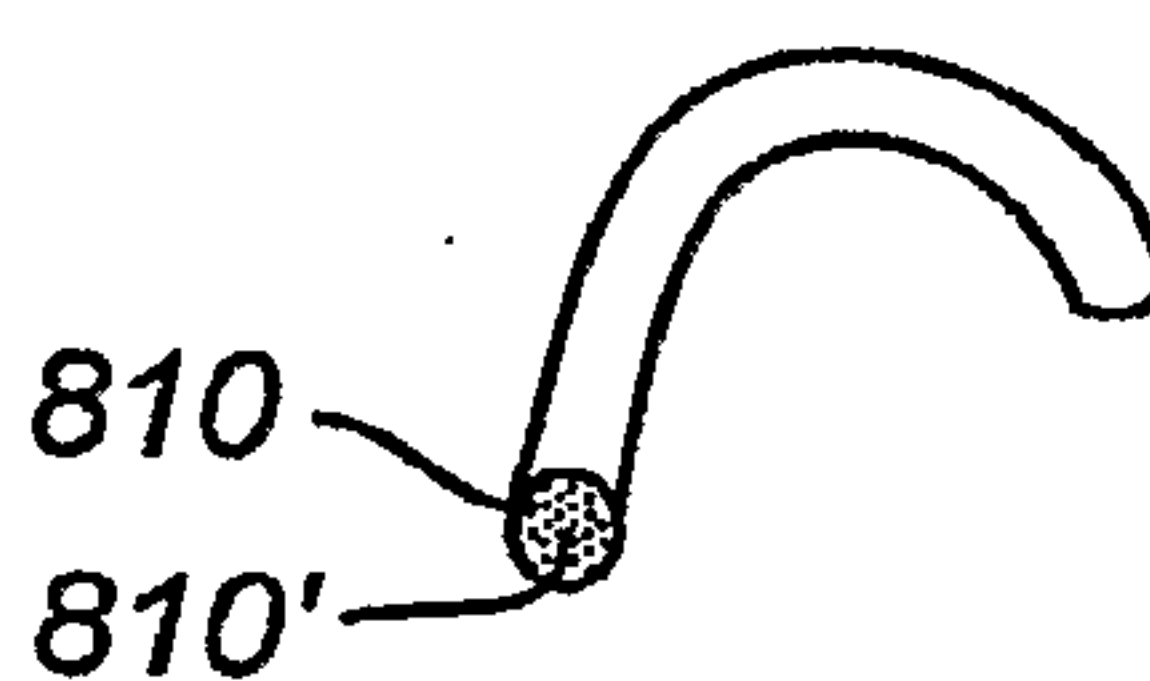


FIG. 11F

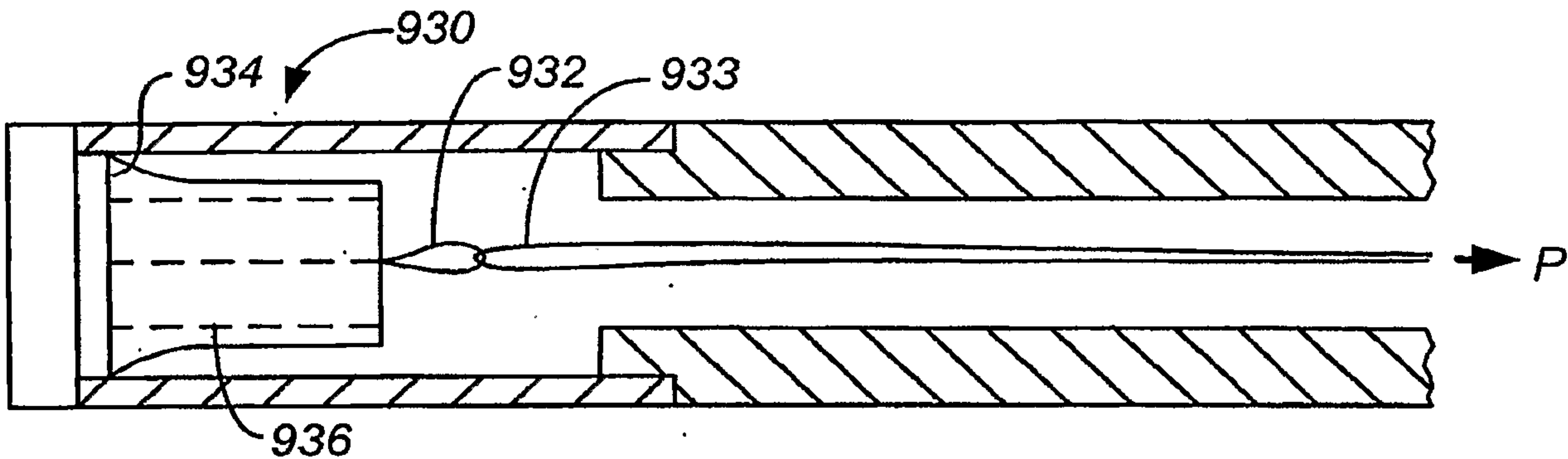


FIG. 12

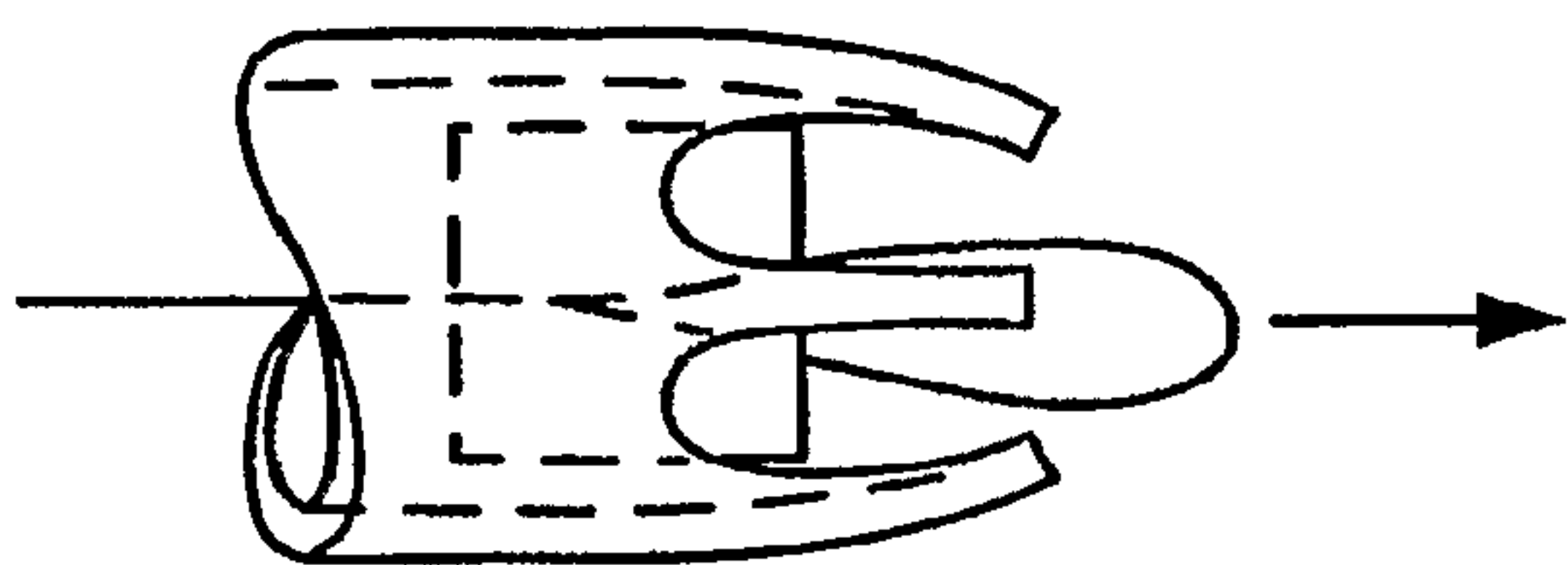


FIG. 13A

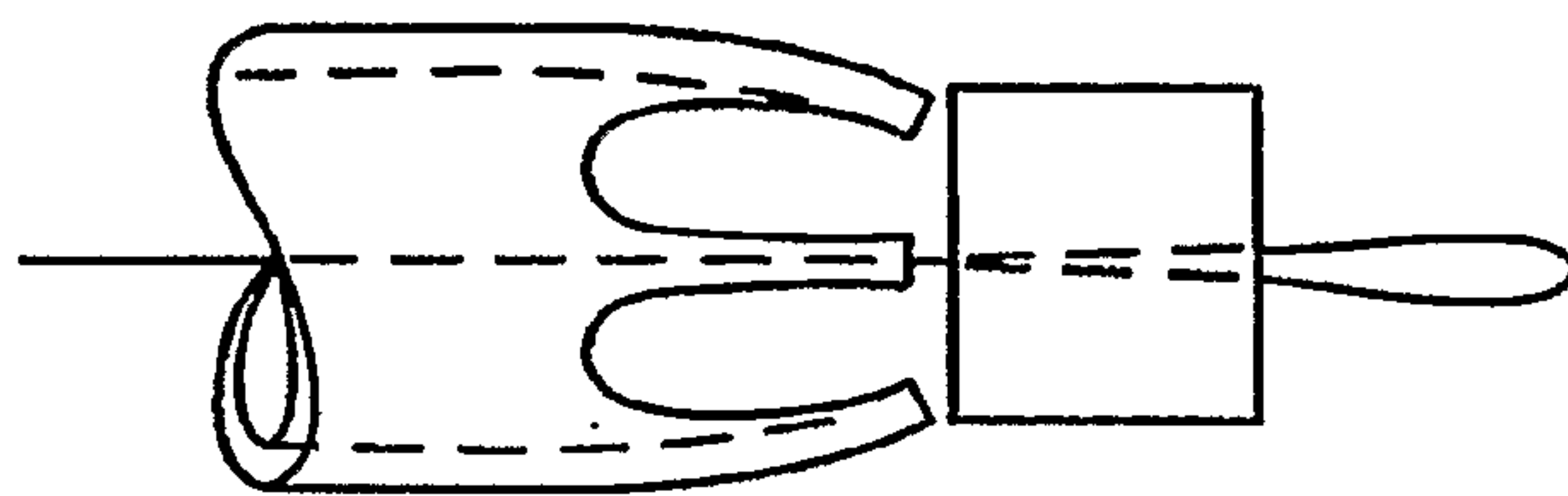


FIG. 13B

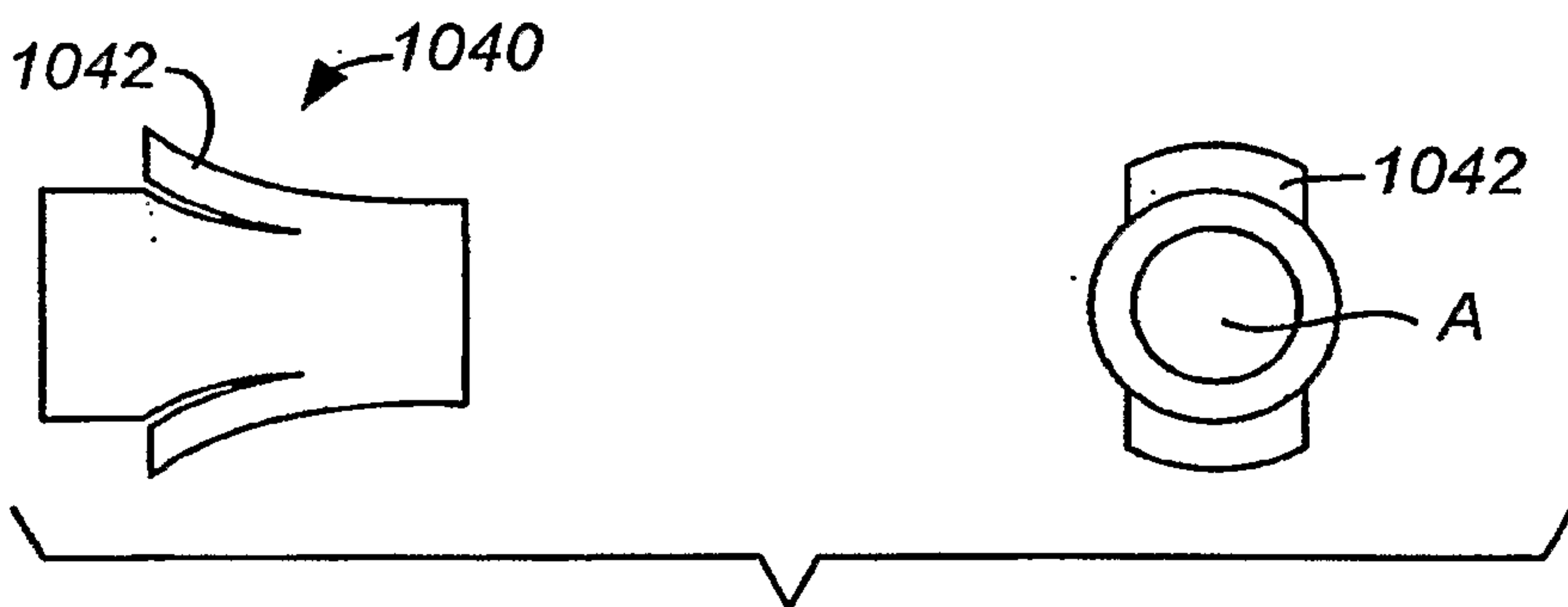


FIG. 14A

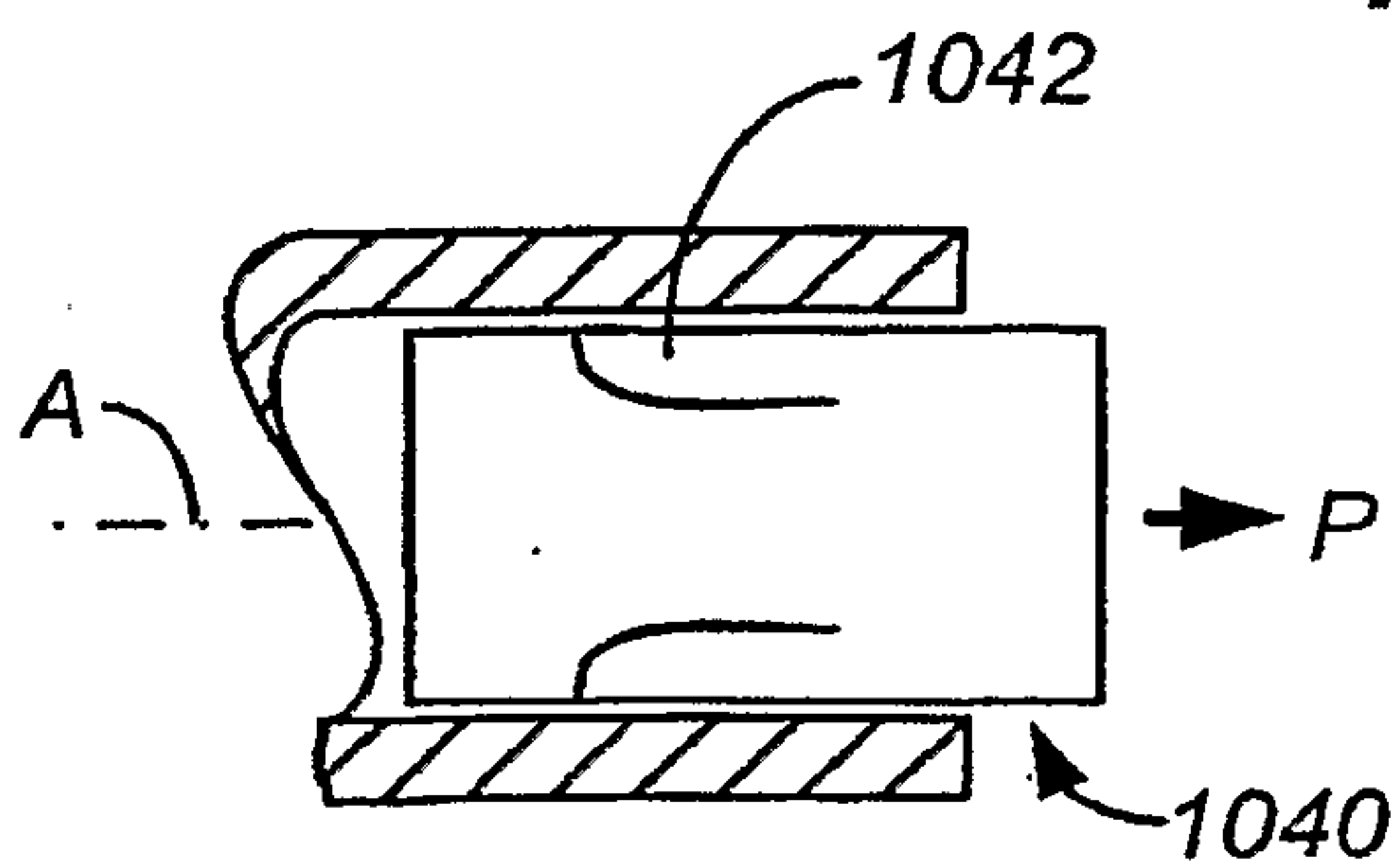


FIG. 14B

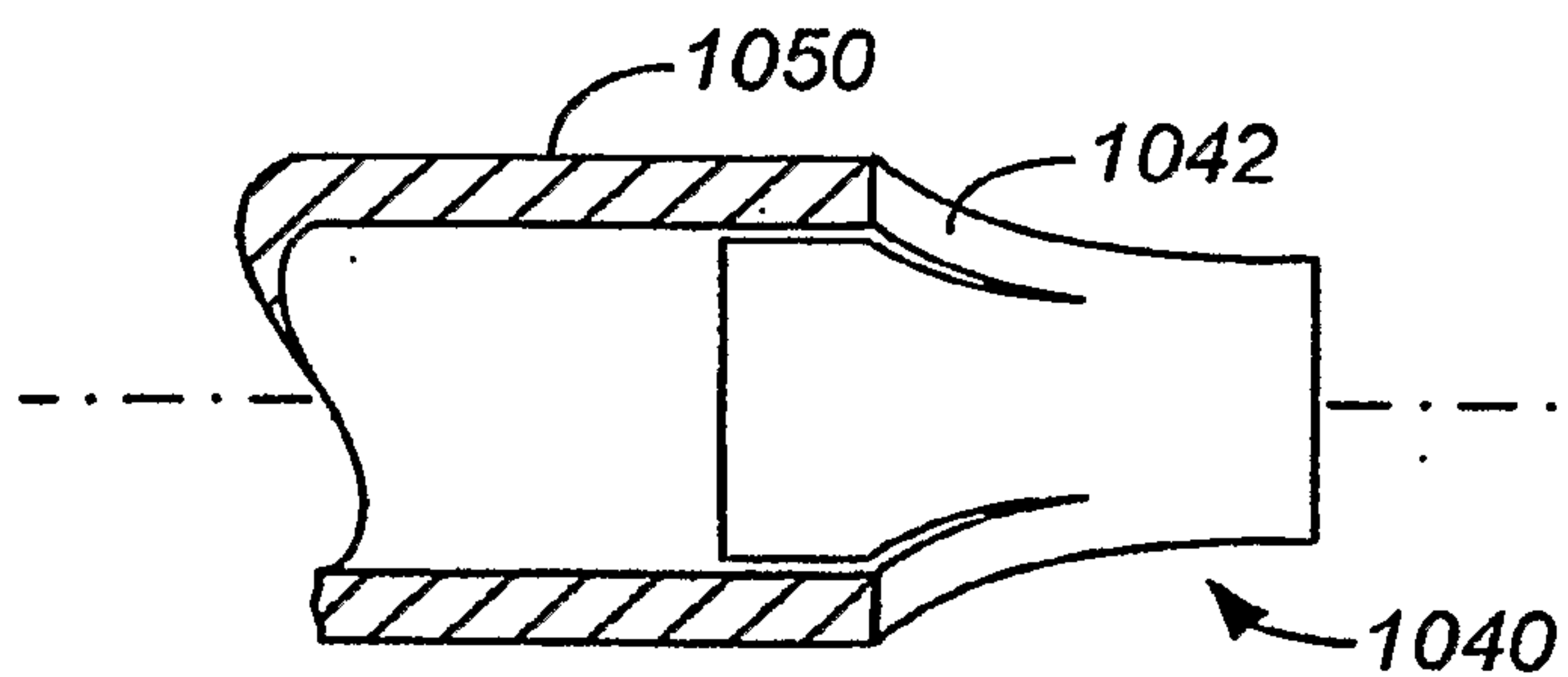


FIG. 14C

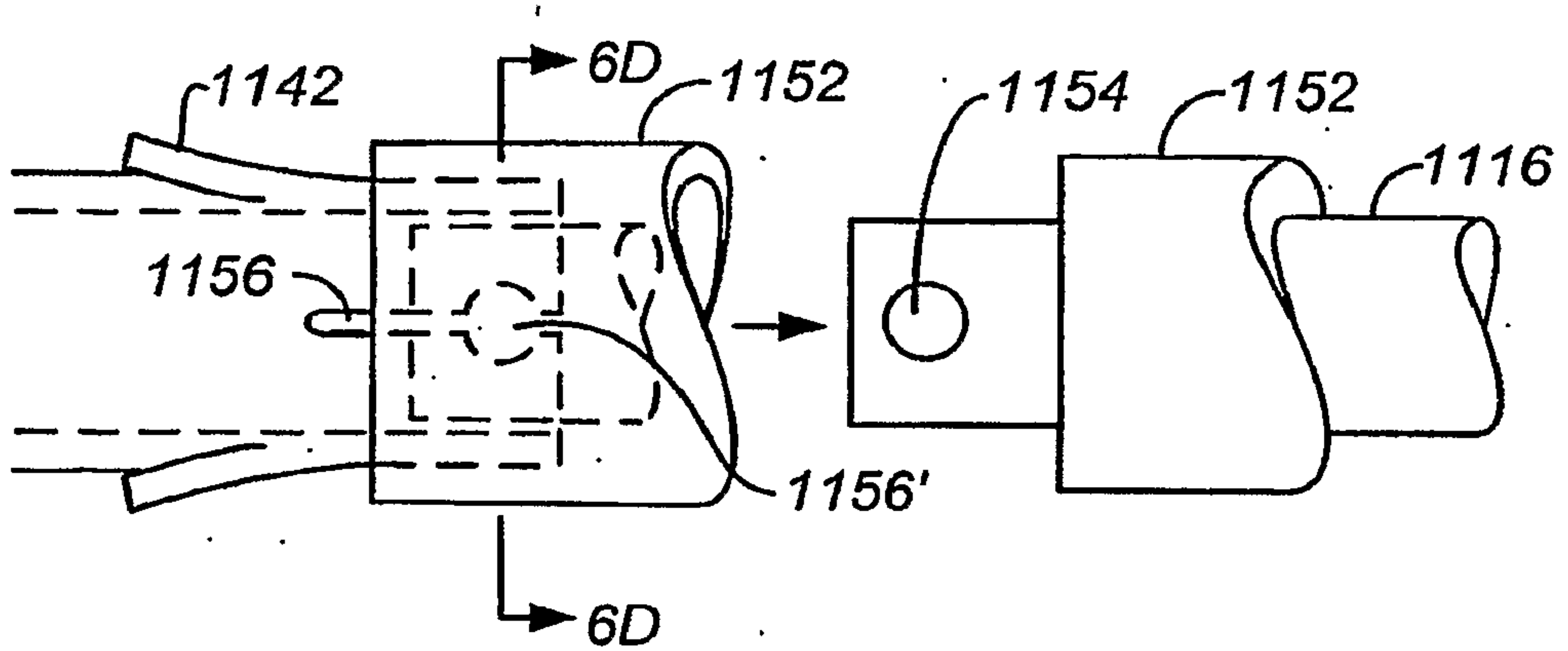


FIG. 15A

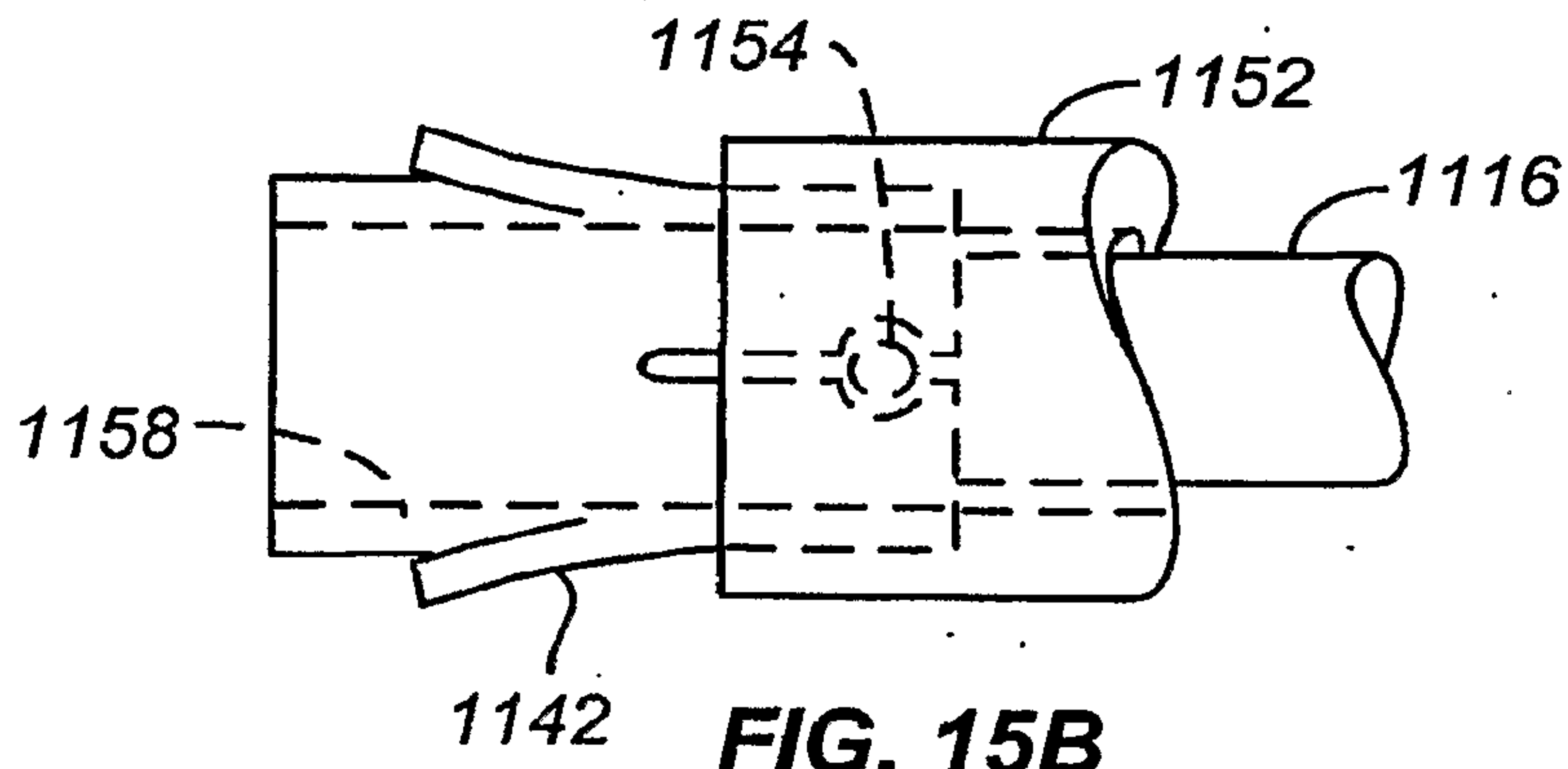


FIG. 15B

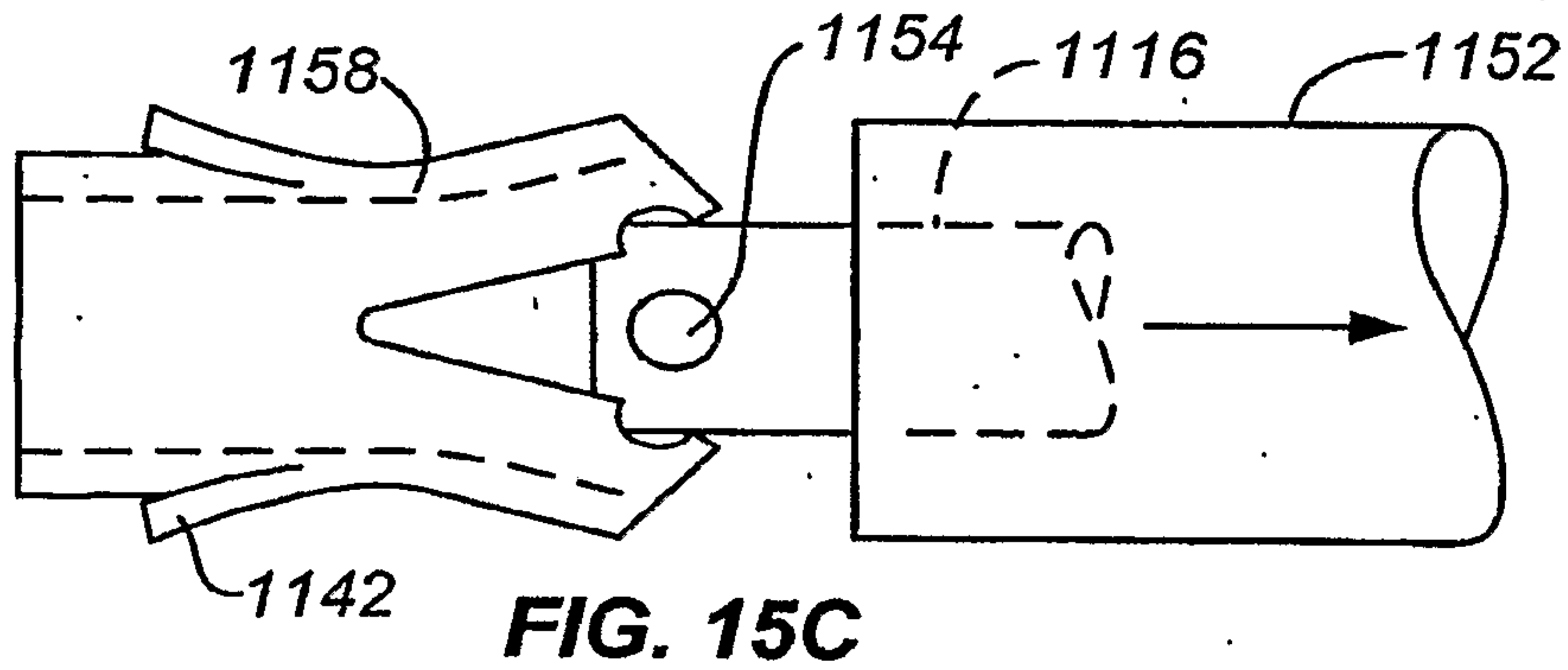


FIG. 15C

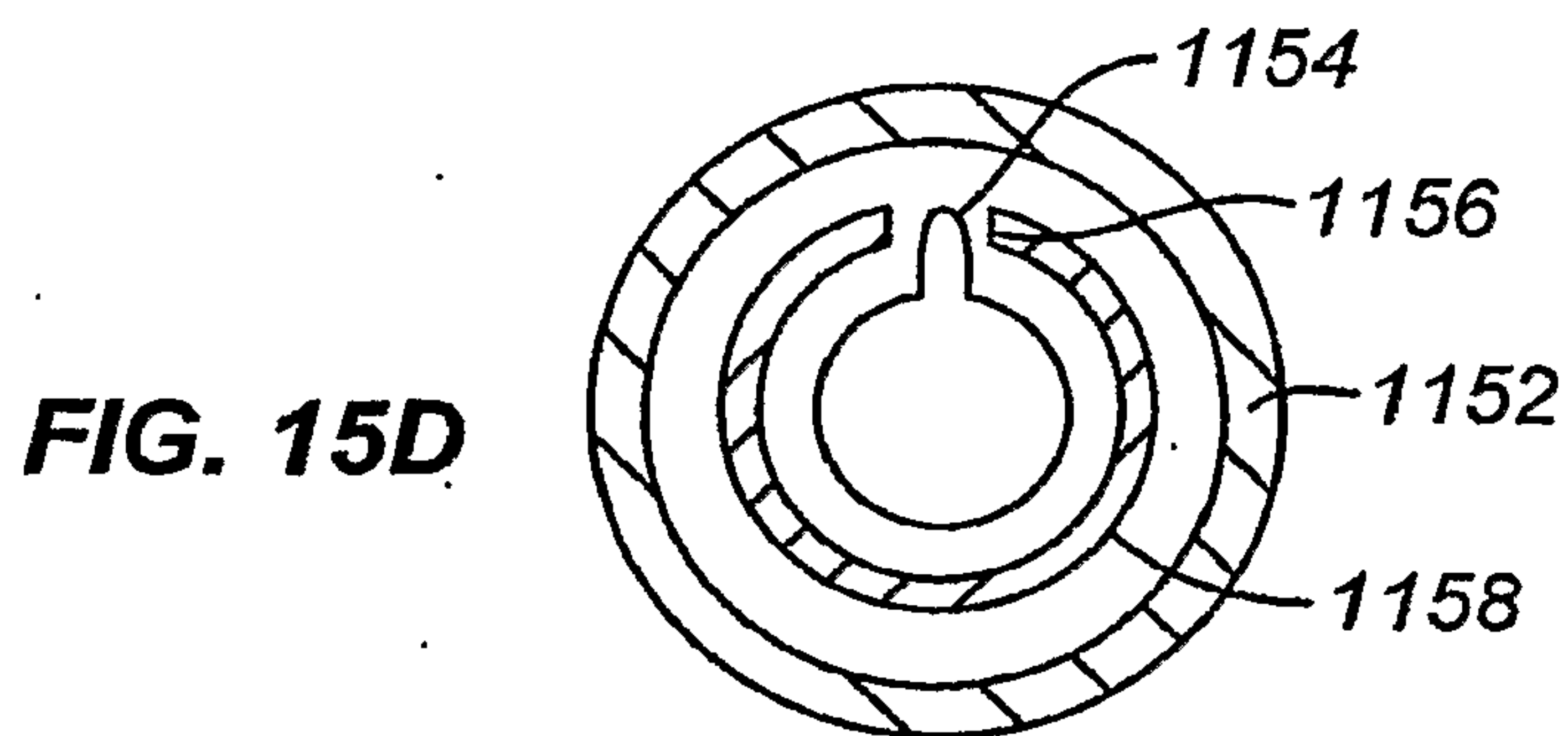


FIG. 15D

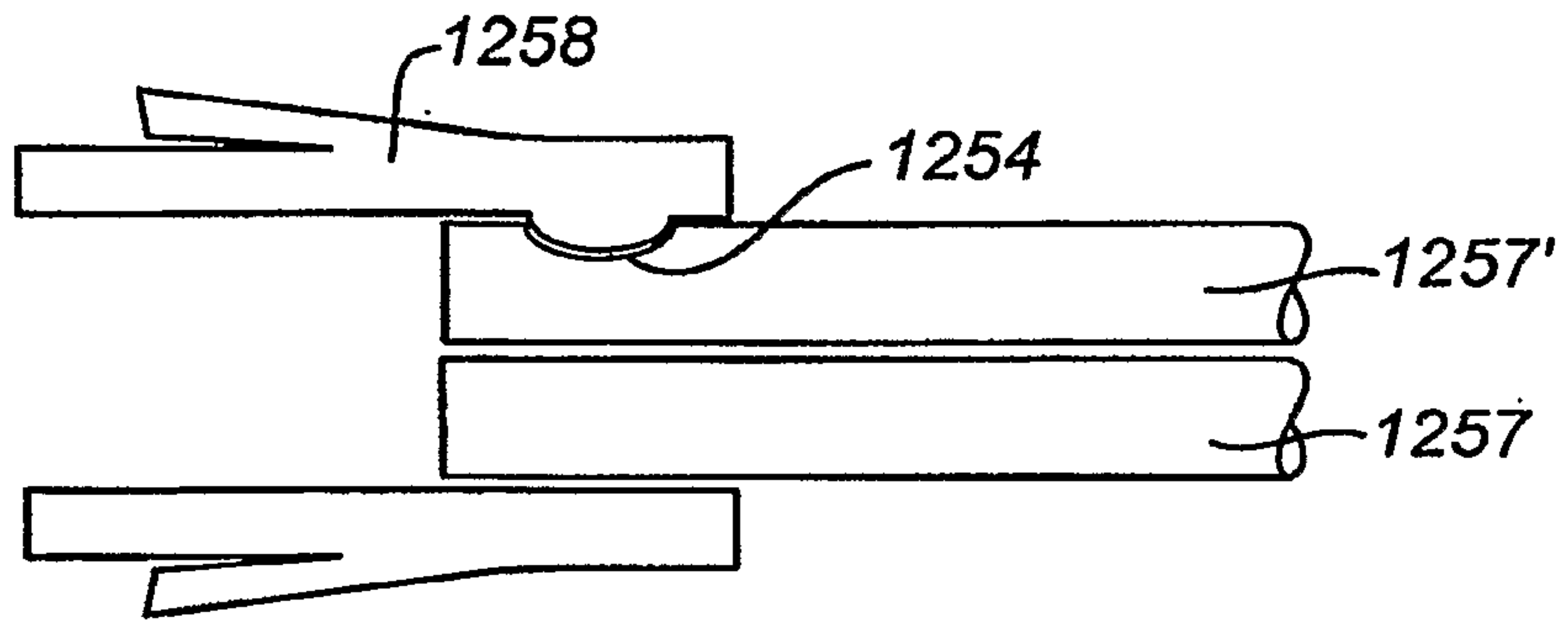


FIG. 16A

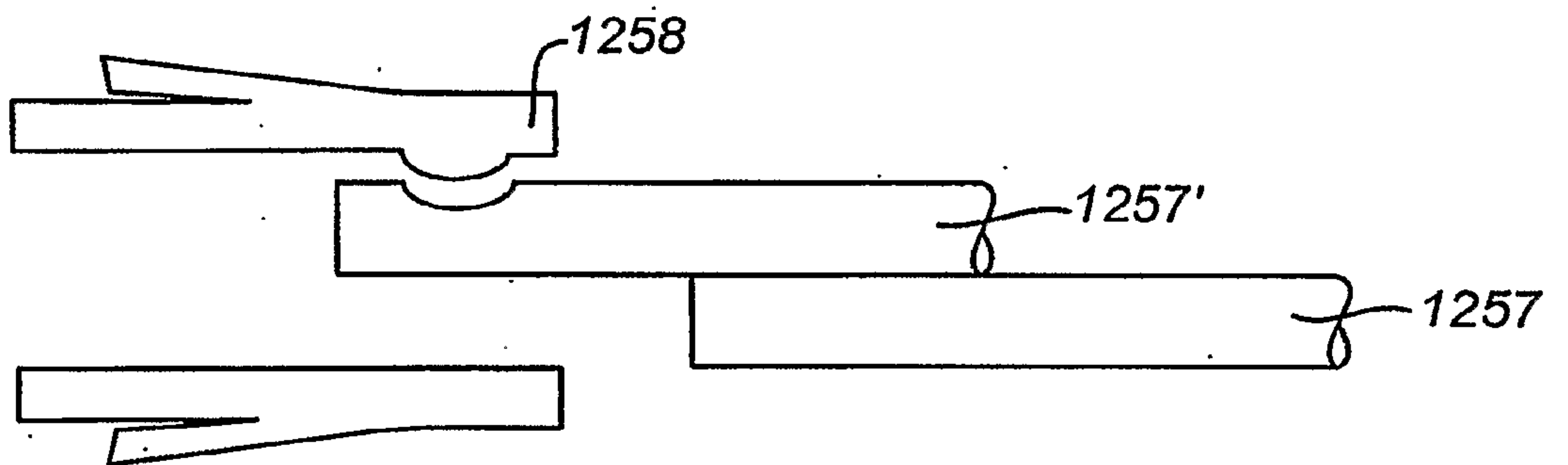


FIG. 16B

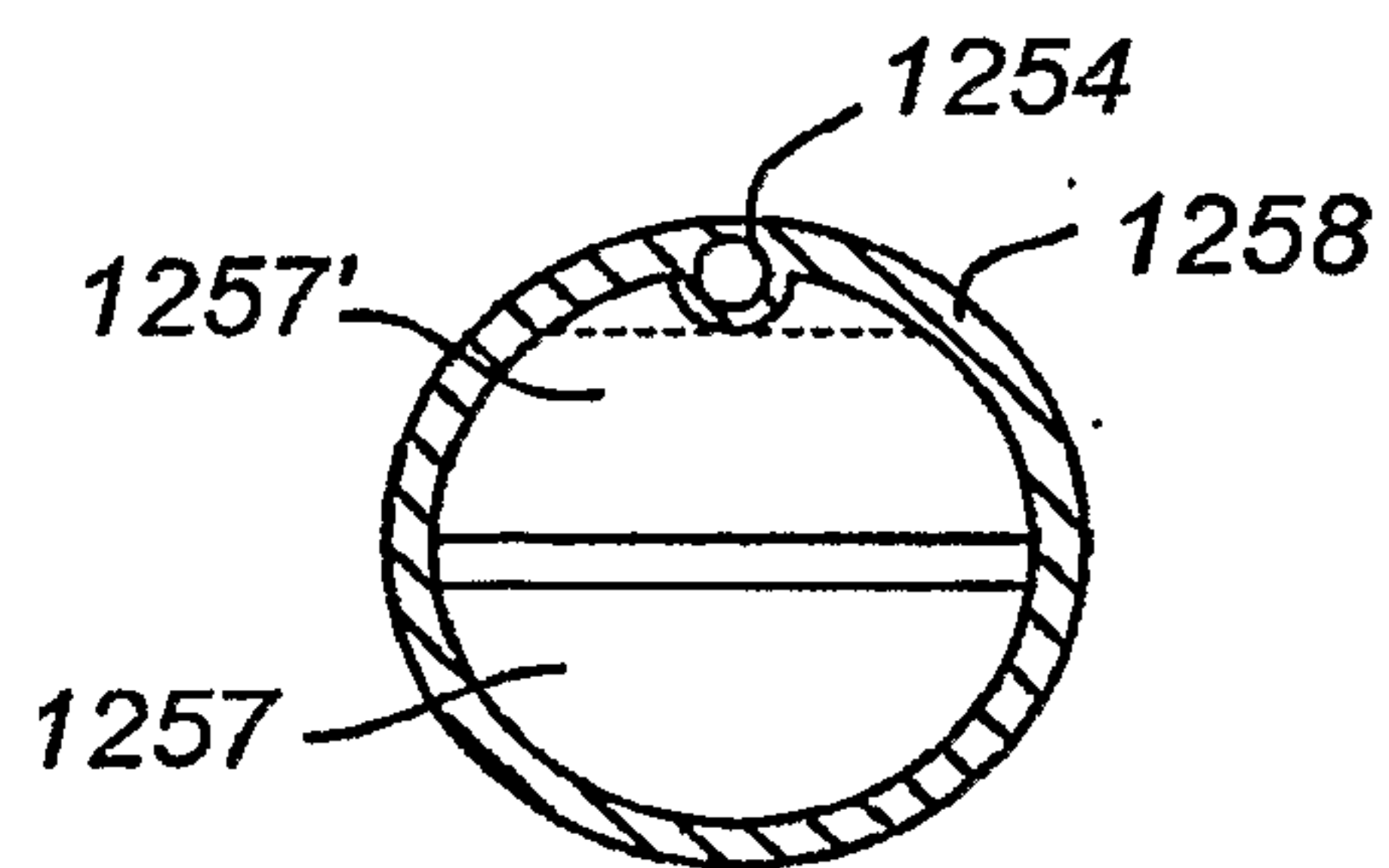


FIG. 16C

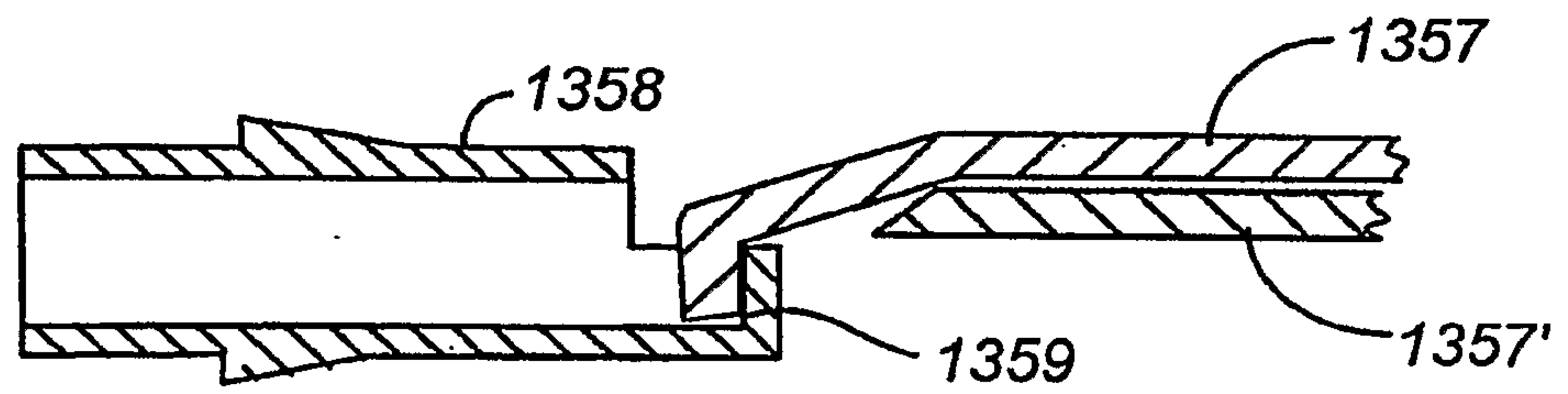


FIG. 17A

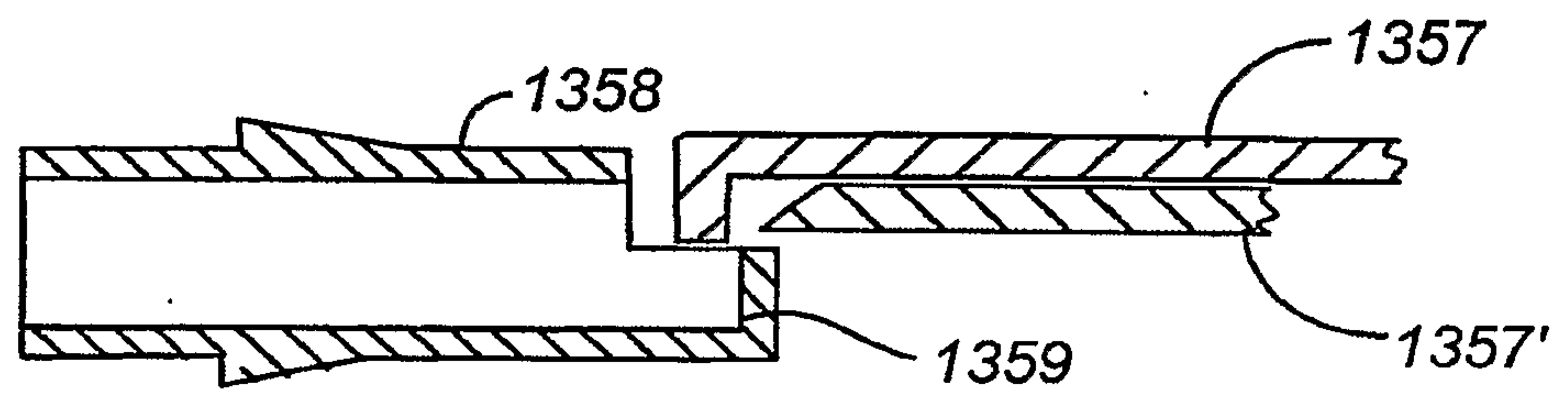


FIG. 17B

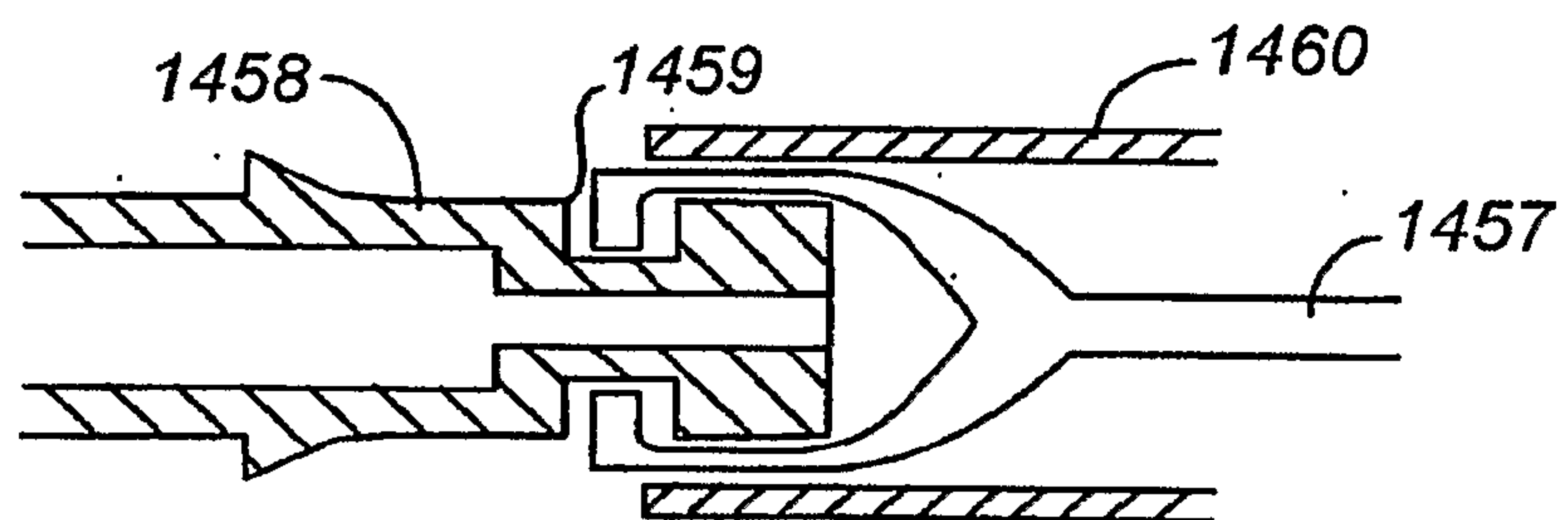


FIG. 18

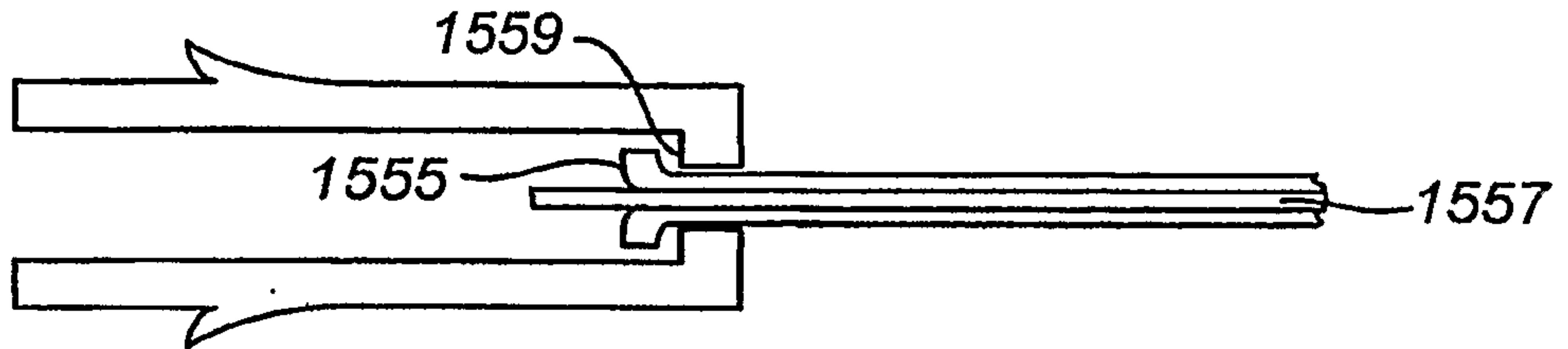


FIG. 19A

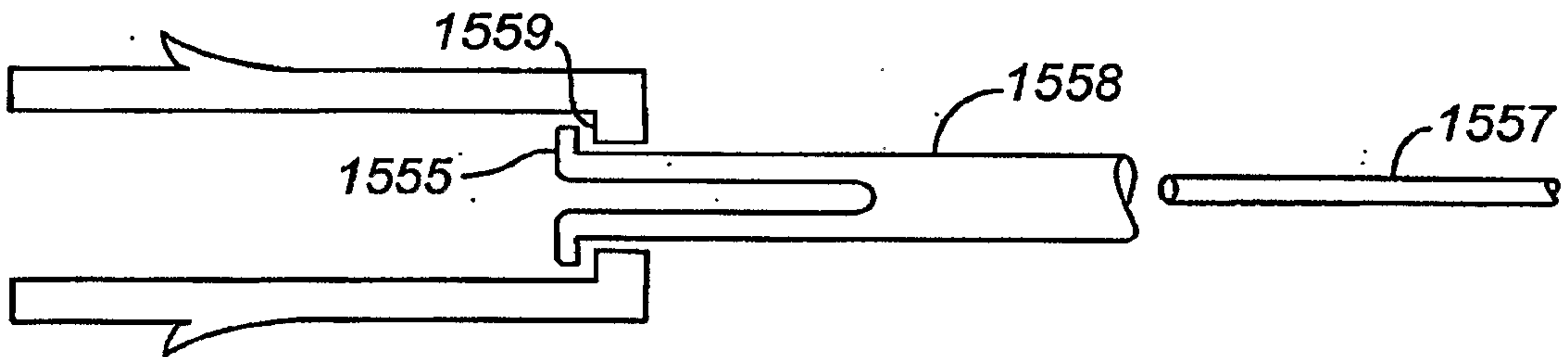


FIG. 19B

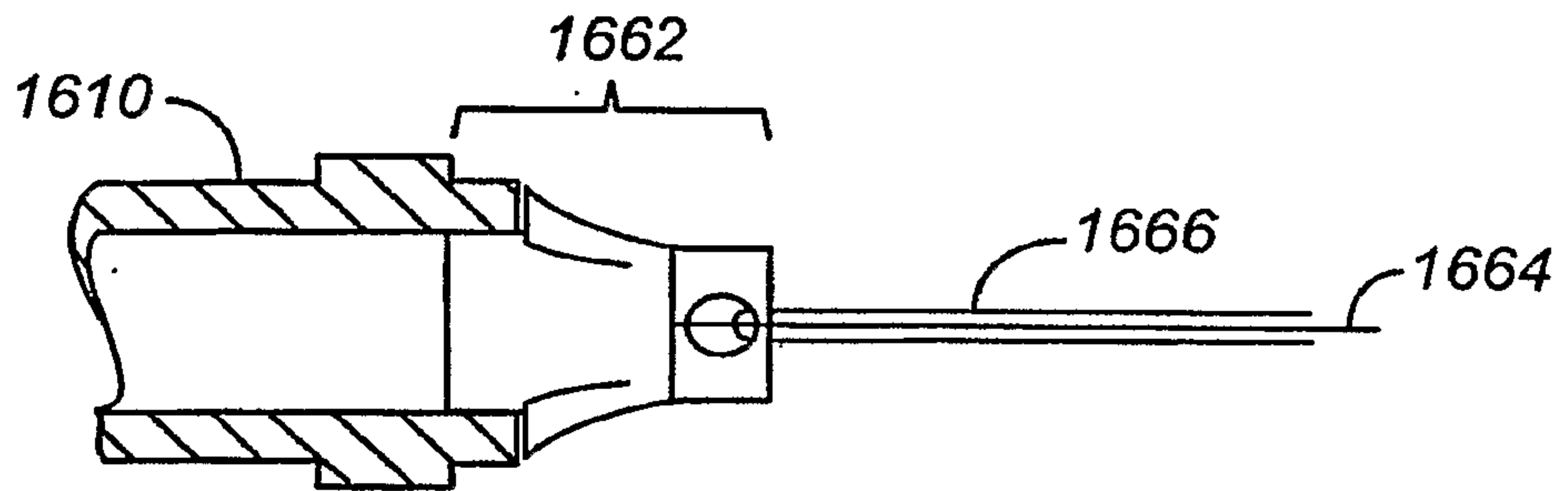


FIG. 20A

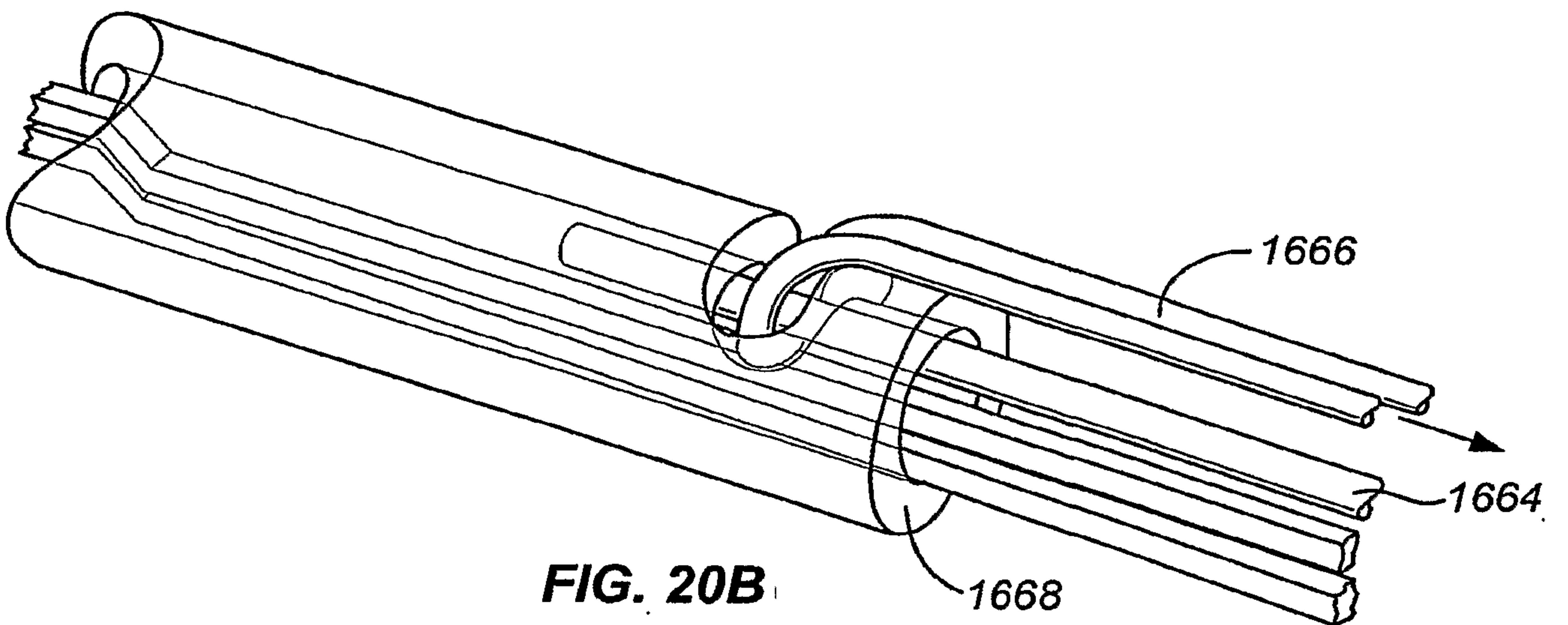


FIG. 20B

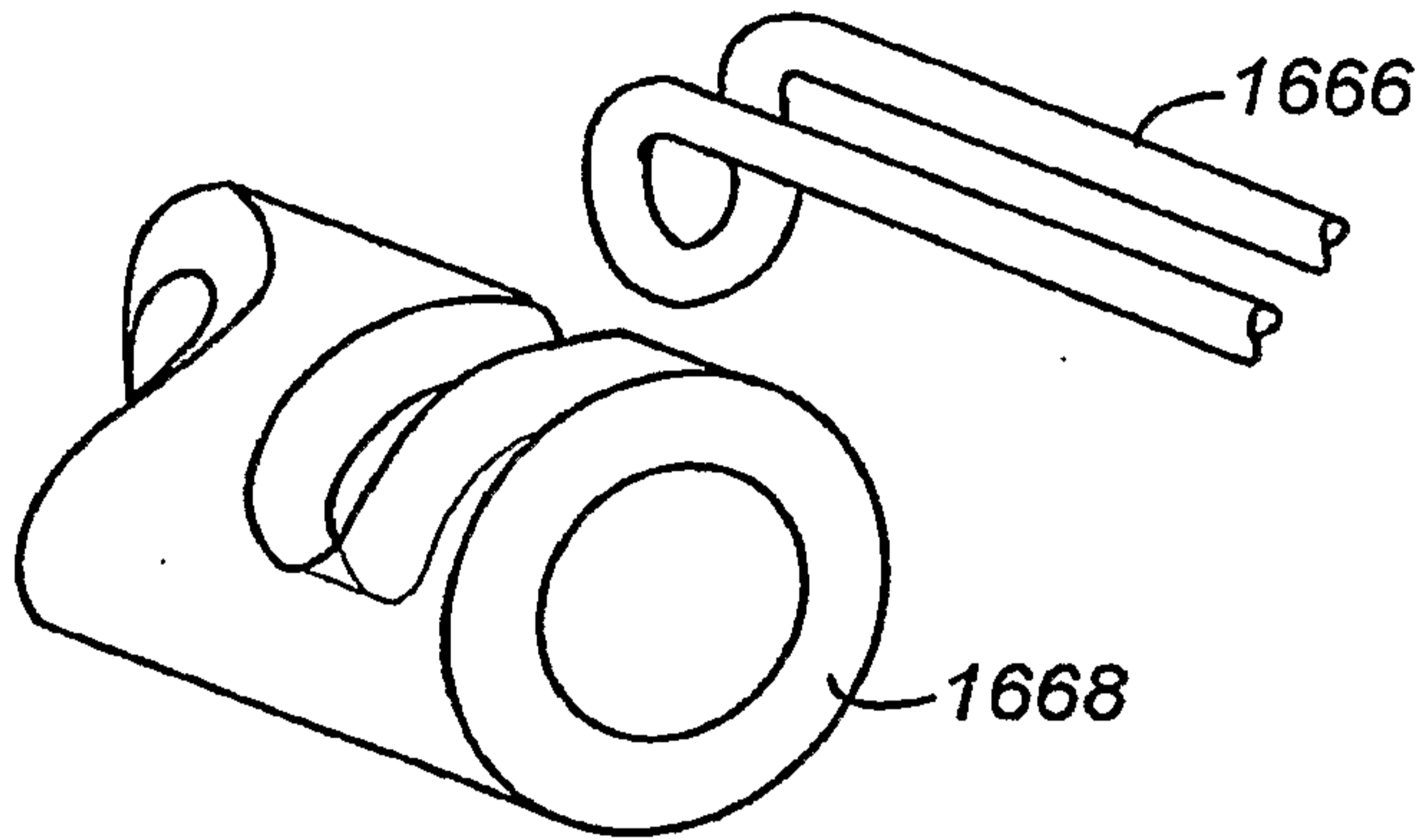


FIG. 20C

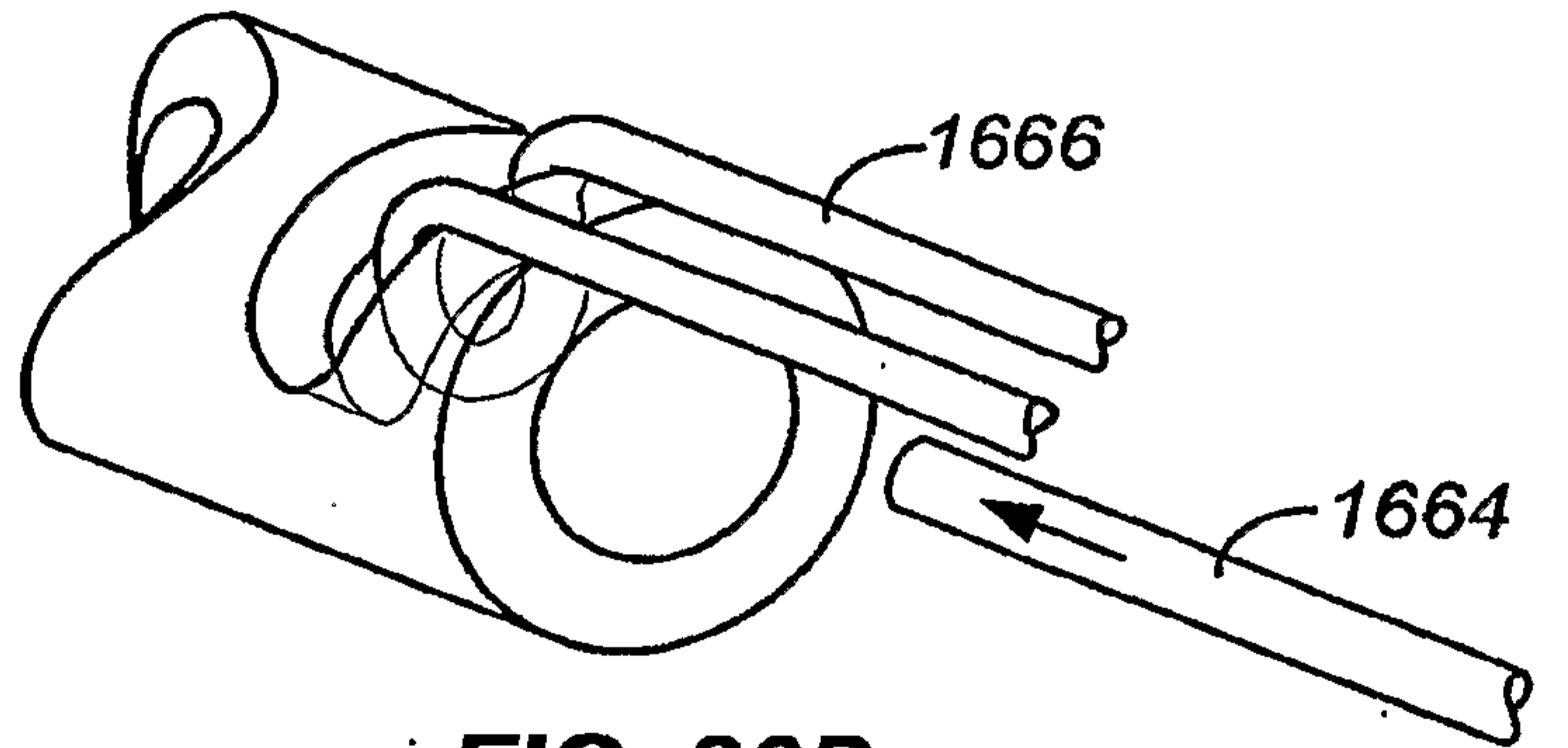


FIG. 20D

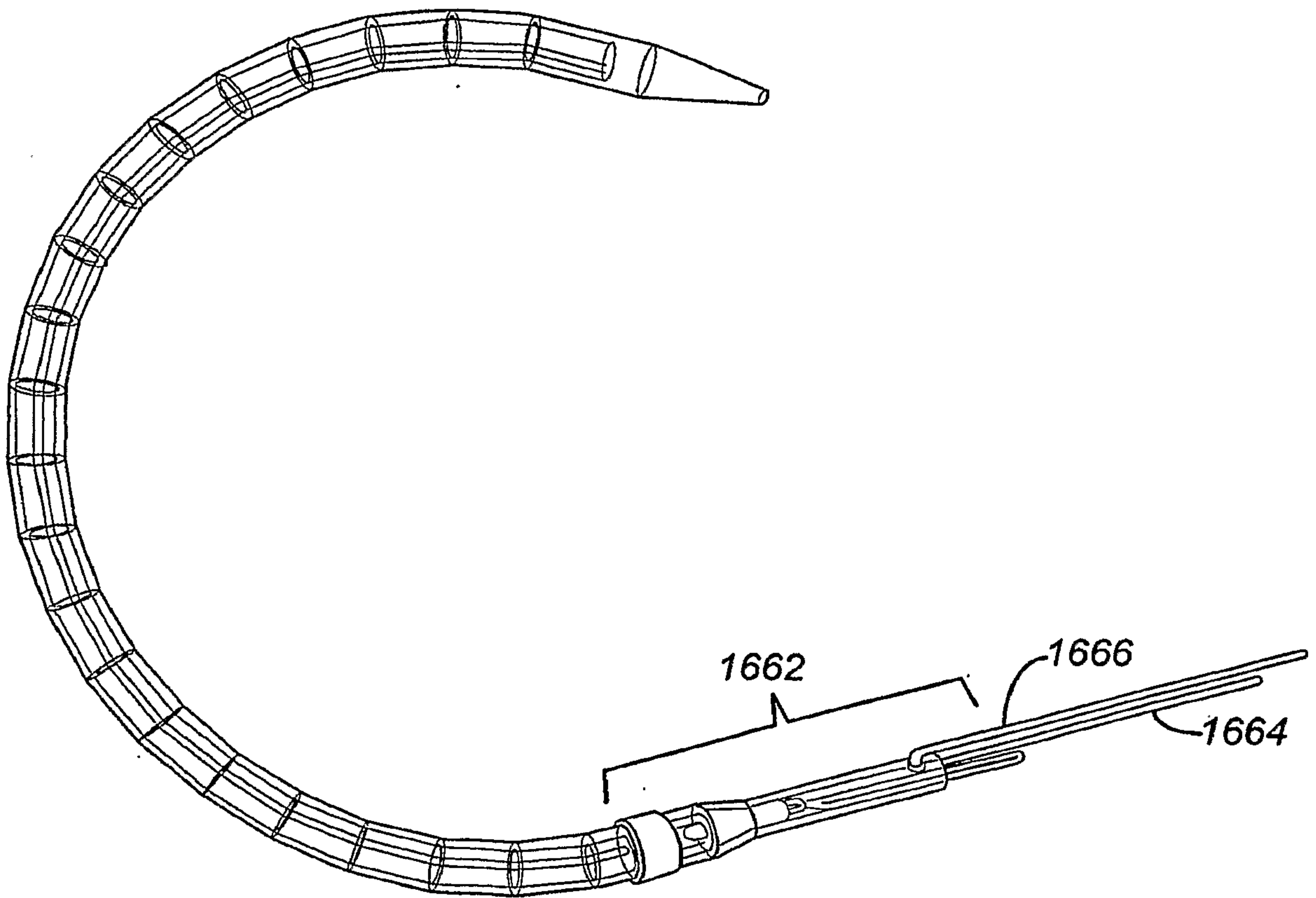


FIG. 20E

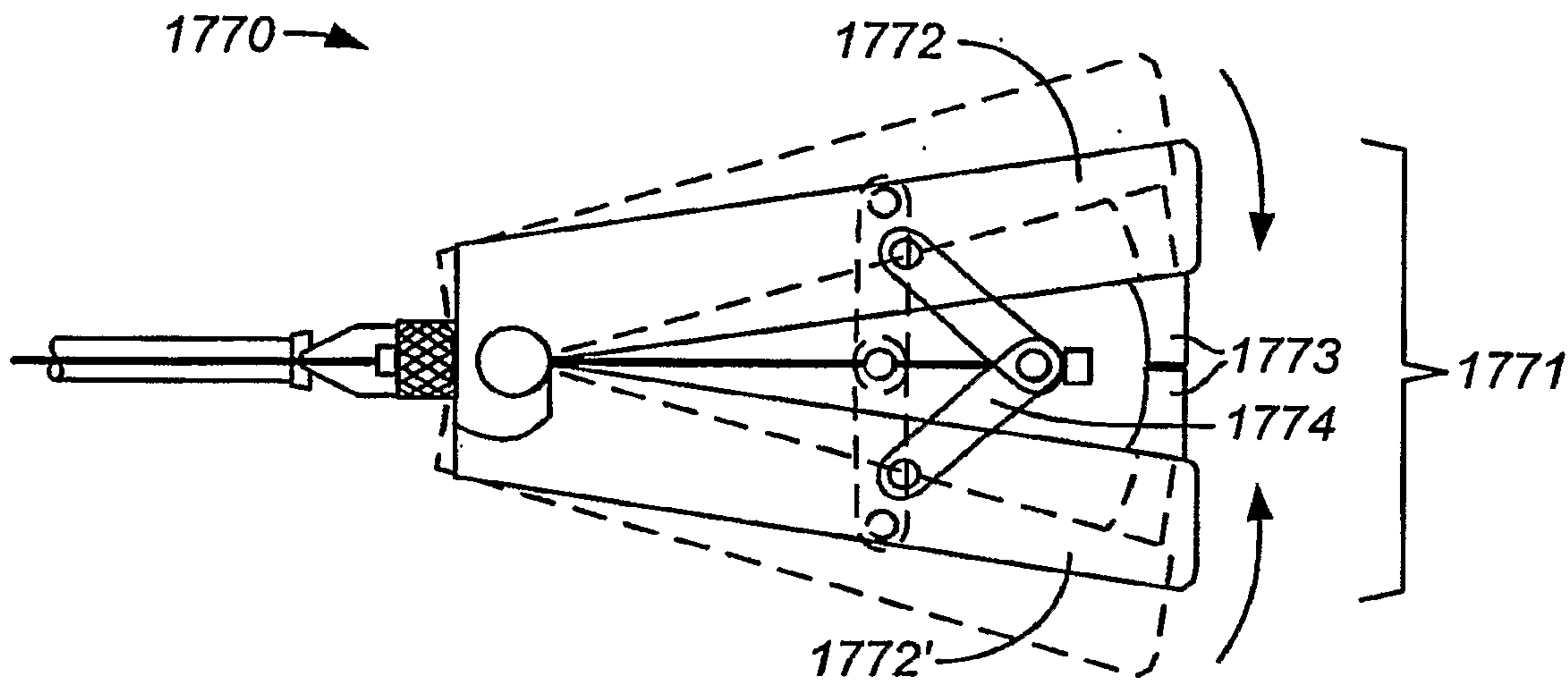


FIG. 21

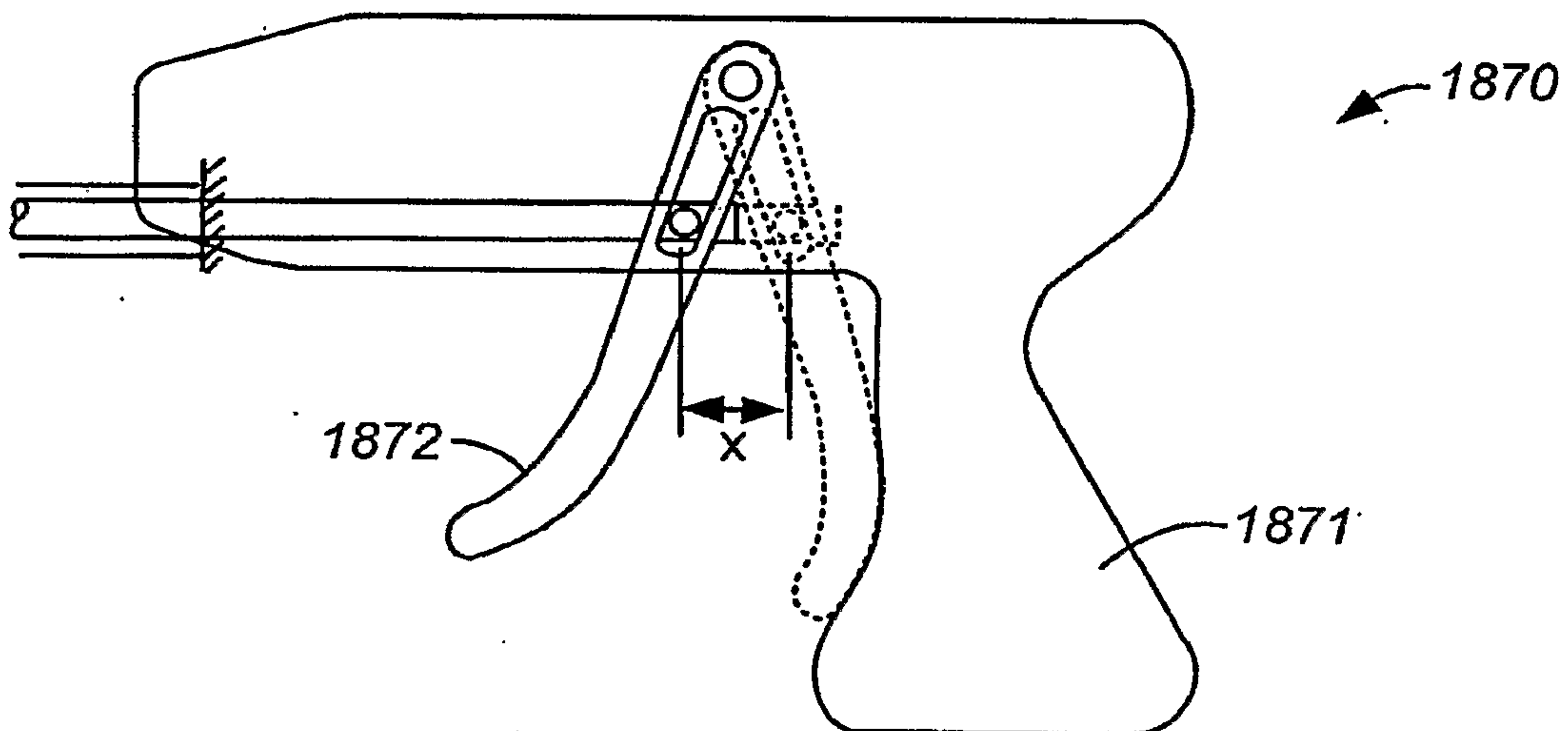


FIG. 22

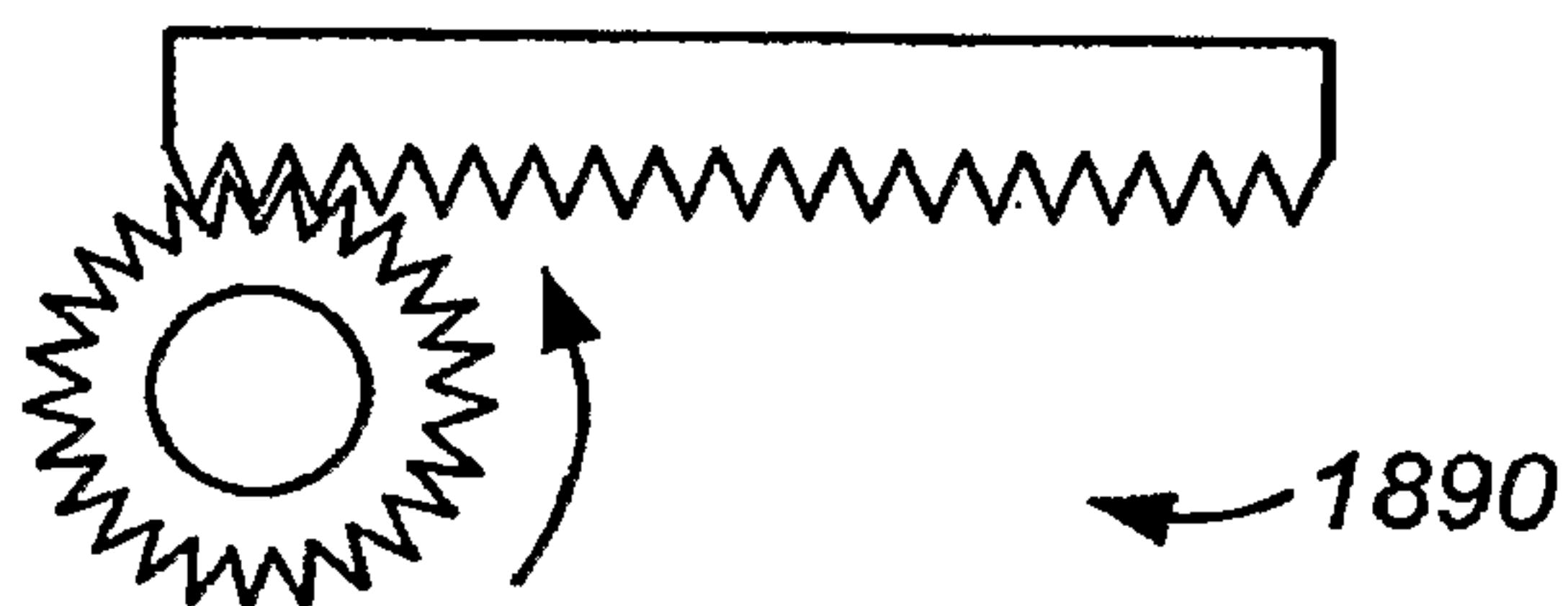


FIG. 23

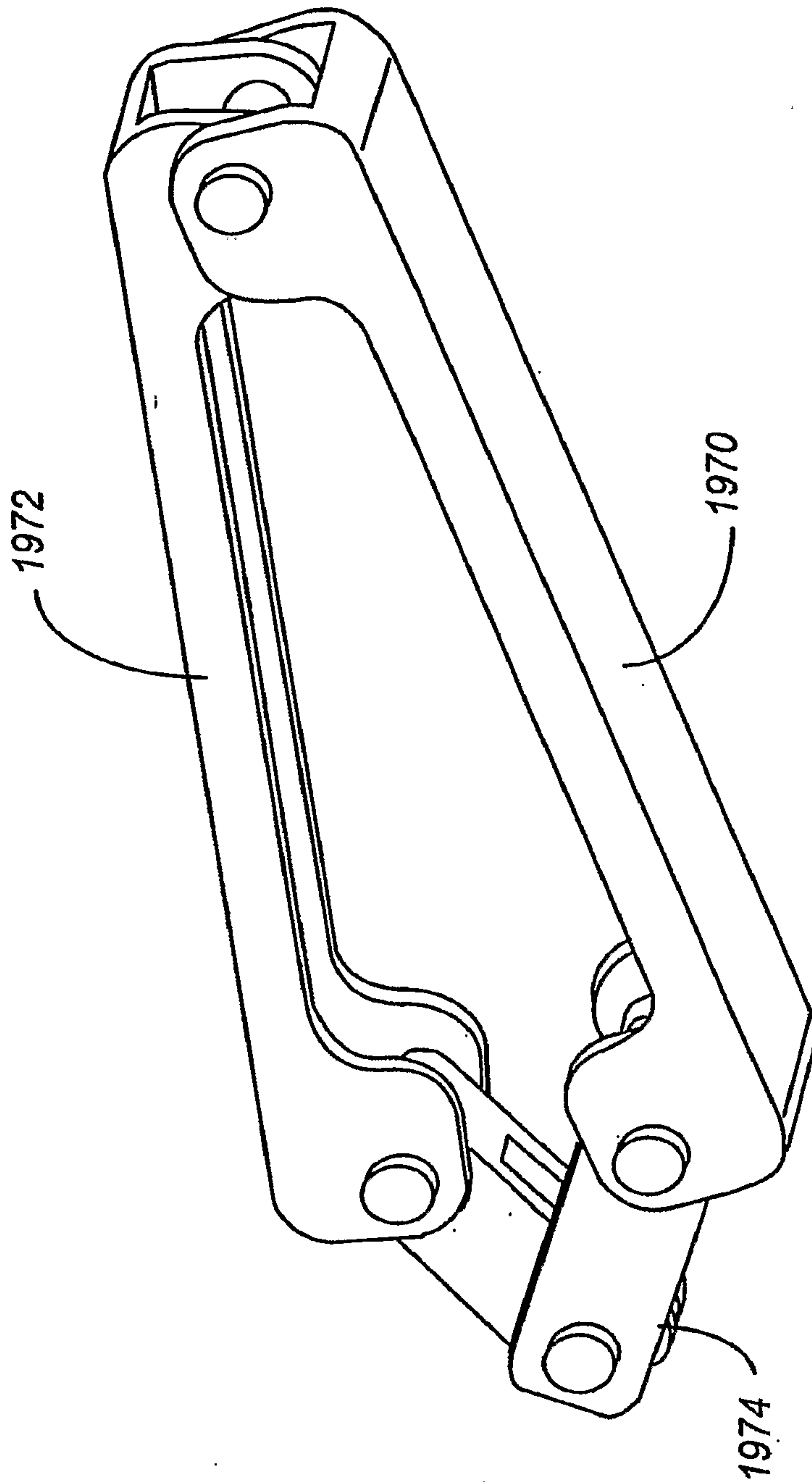


FIG. 24

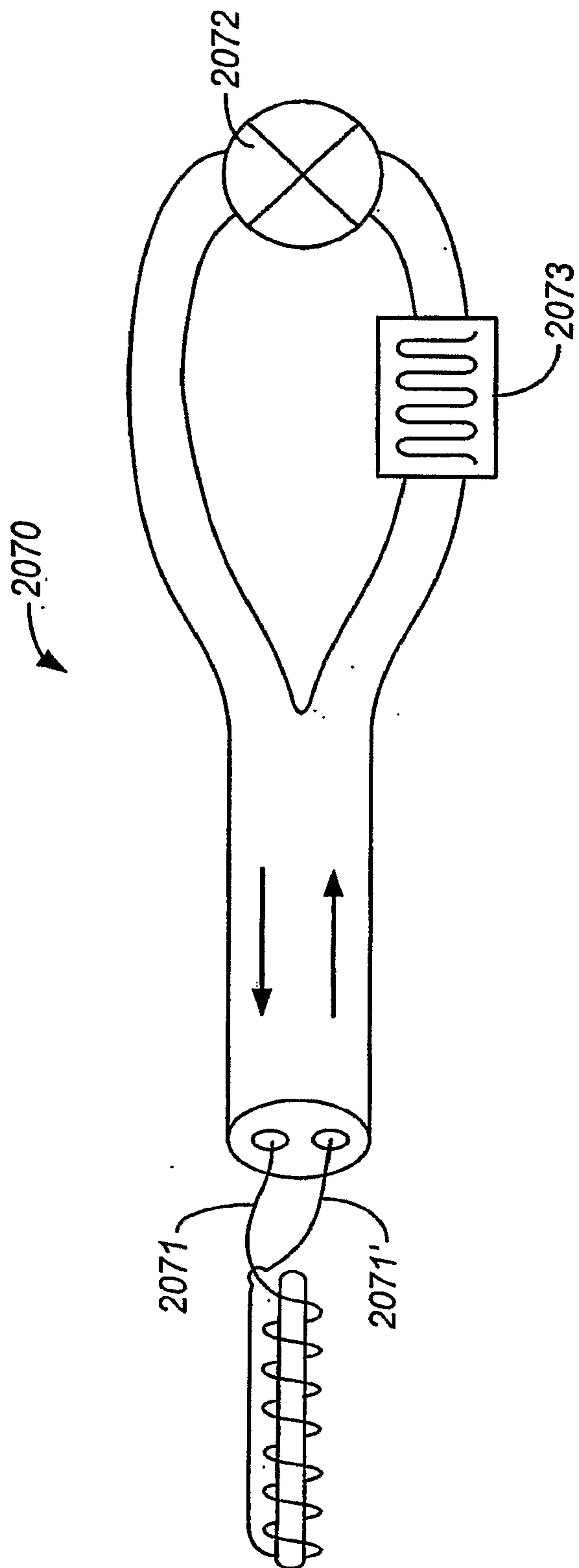


FIG. 25

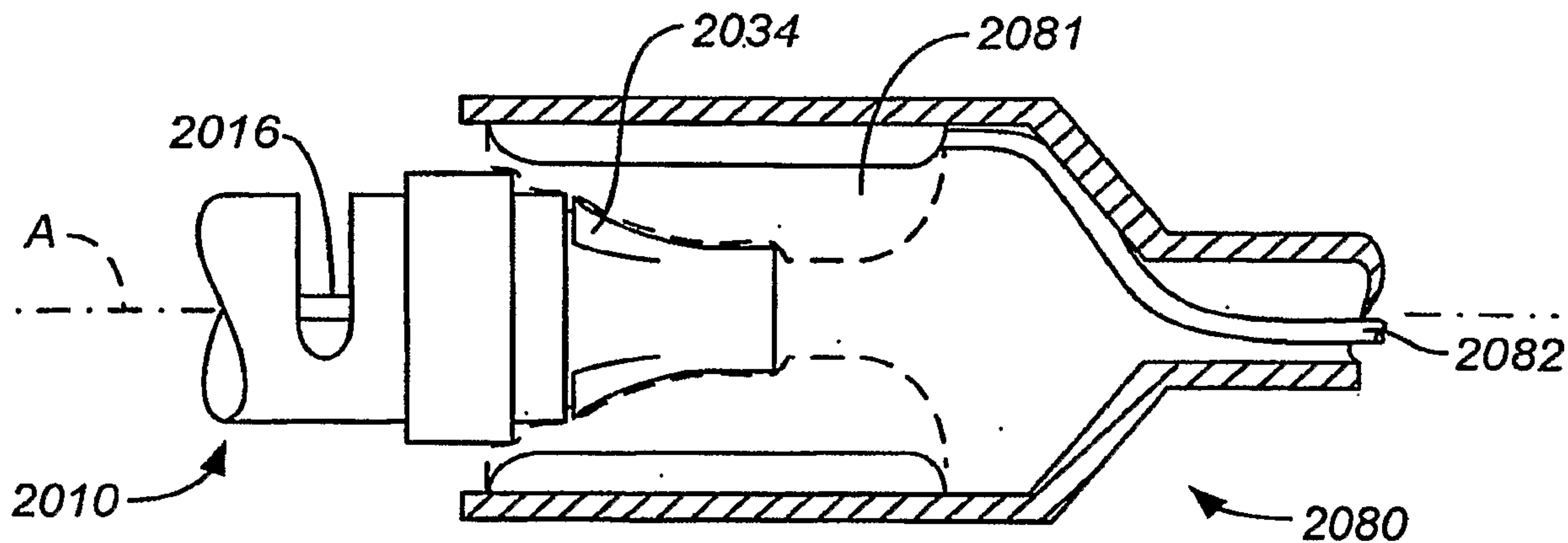


FIG. 26

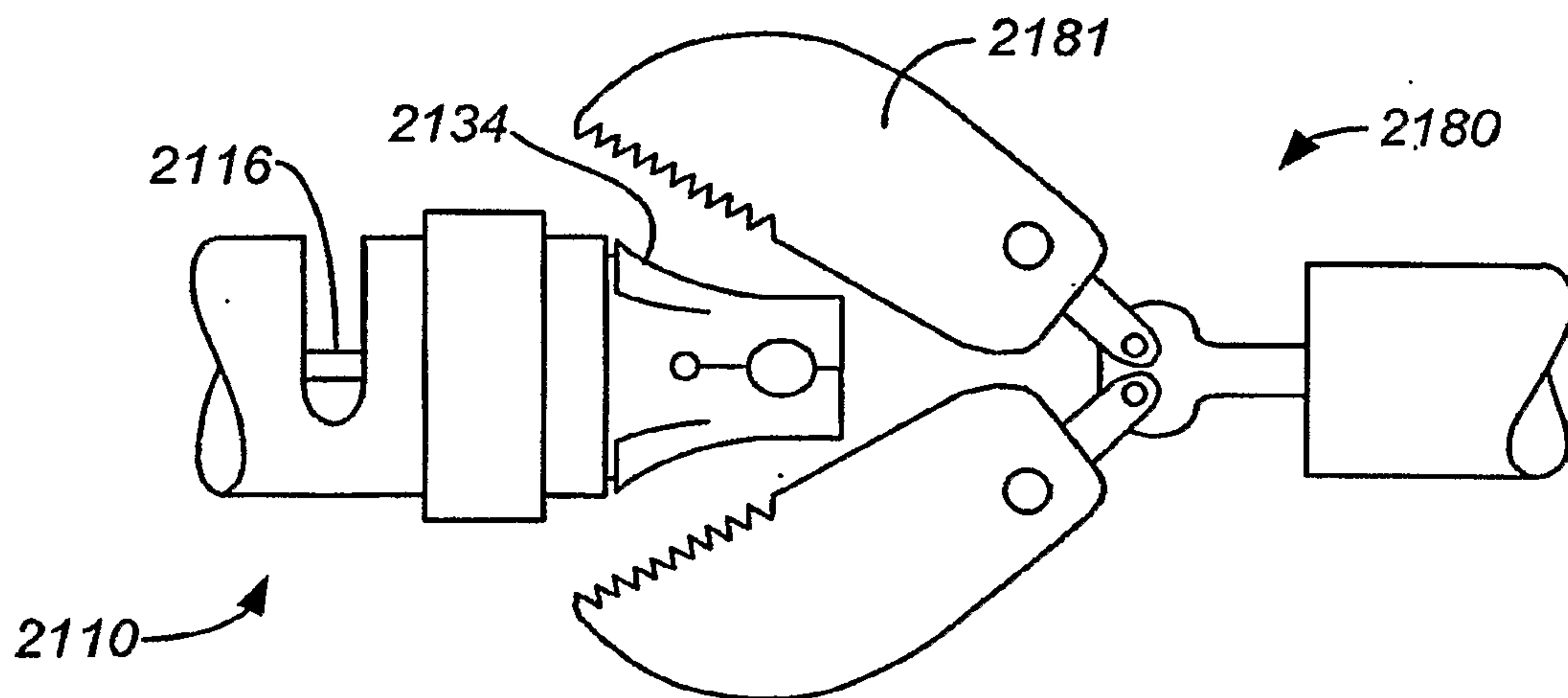


FIG. 27A

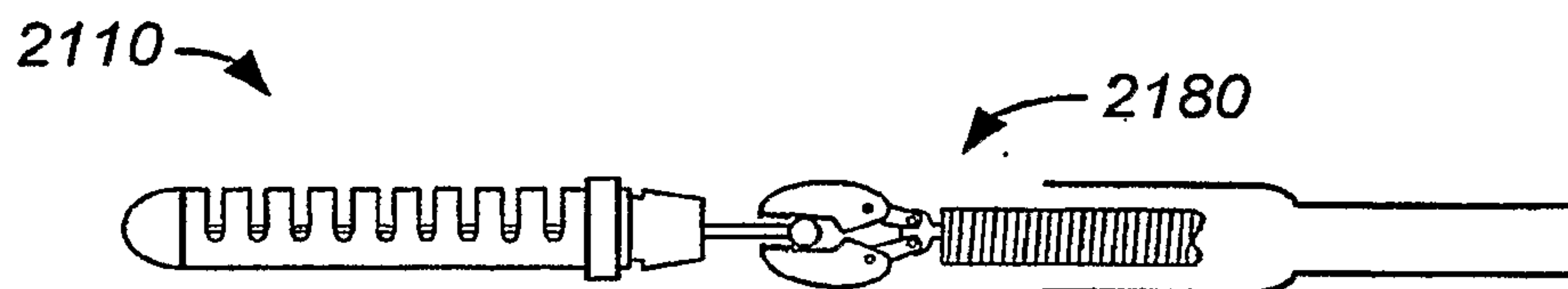


FIG. 27B

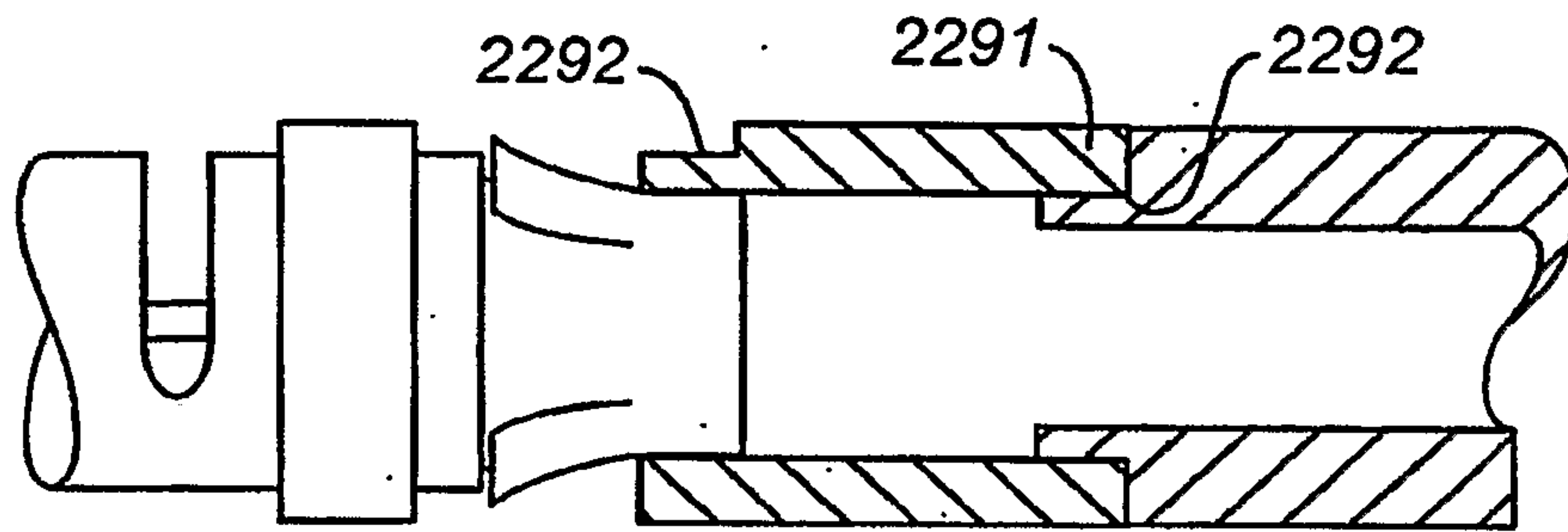


FIG. 28A

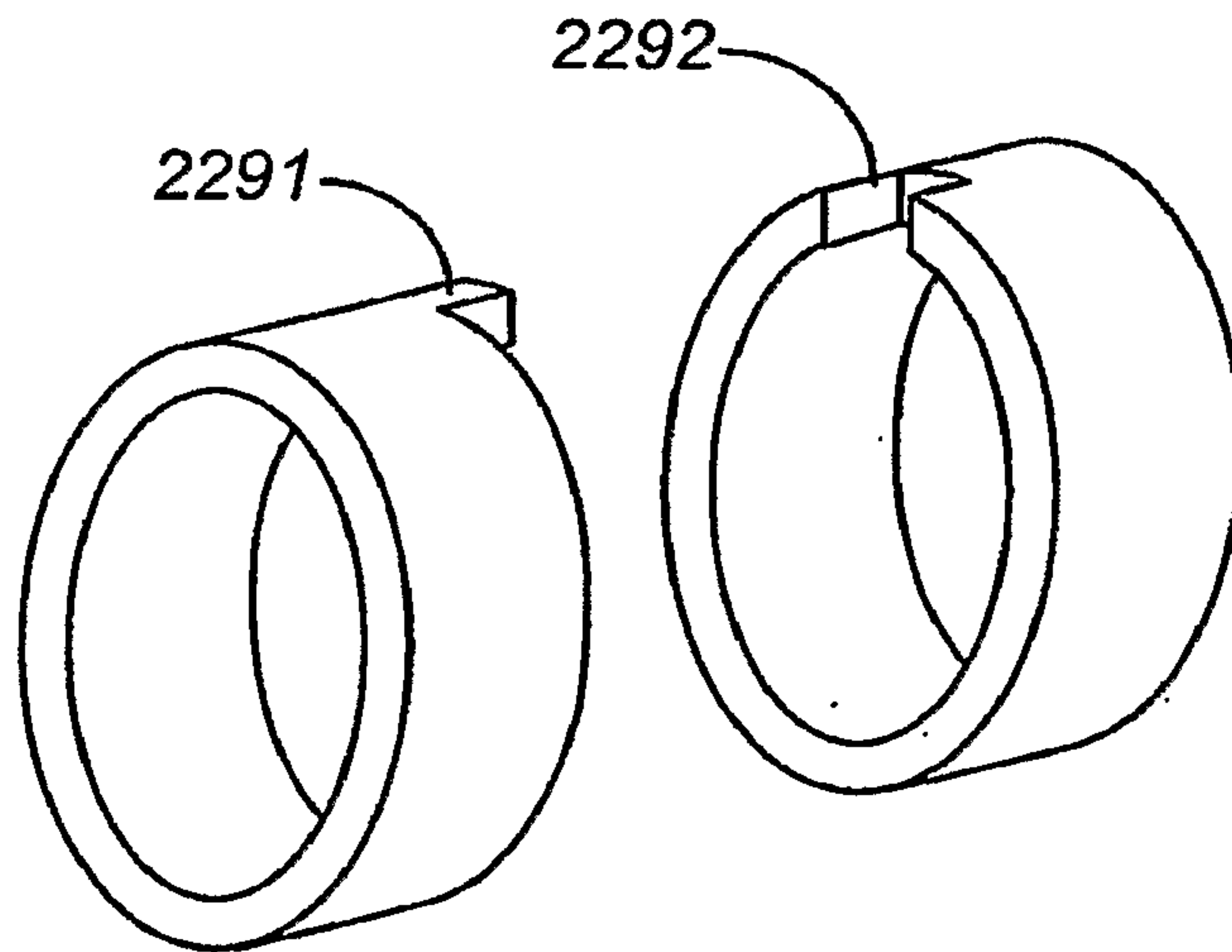


FIG. 28B

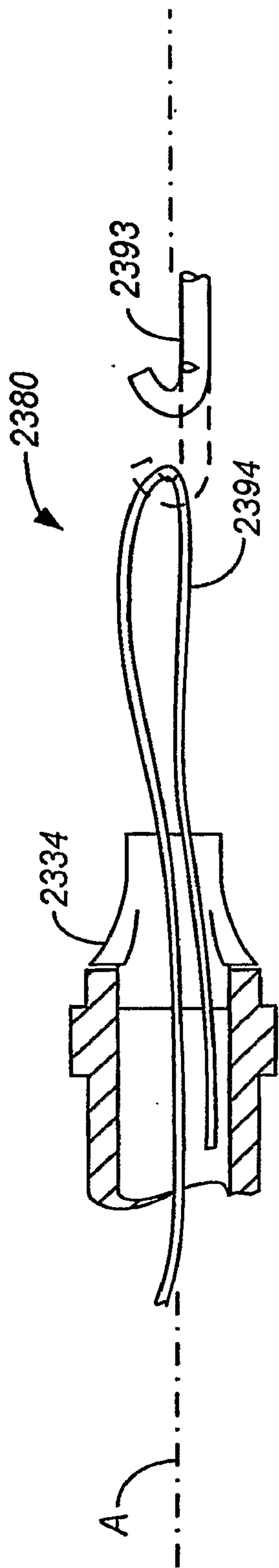


FIG. 29A

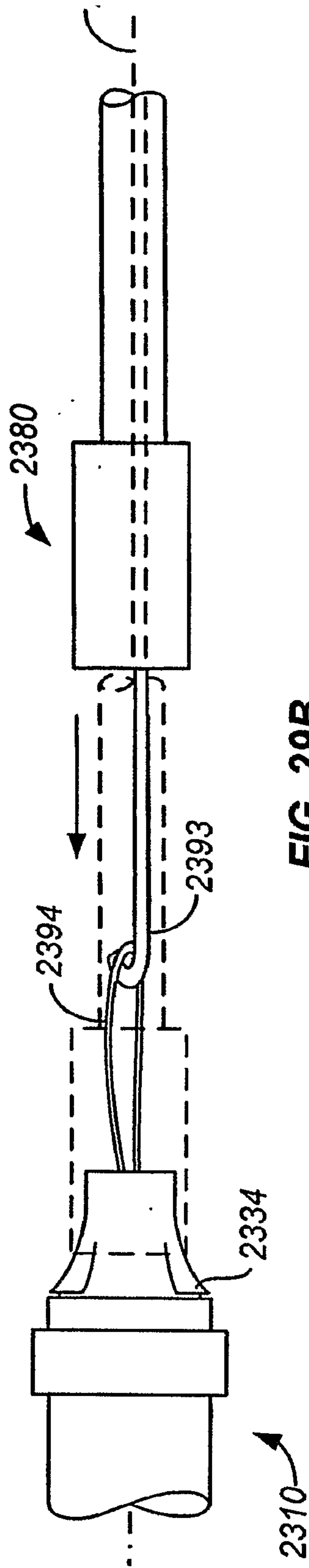


FIG. 29B

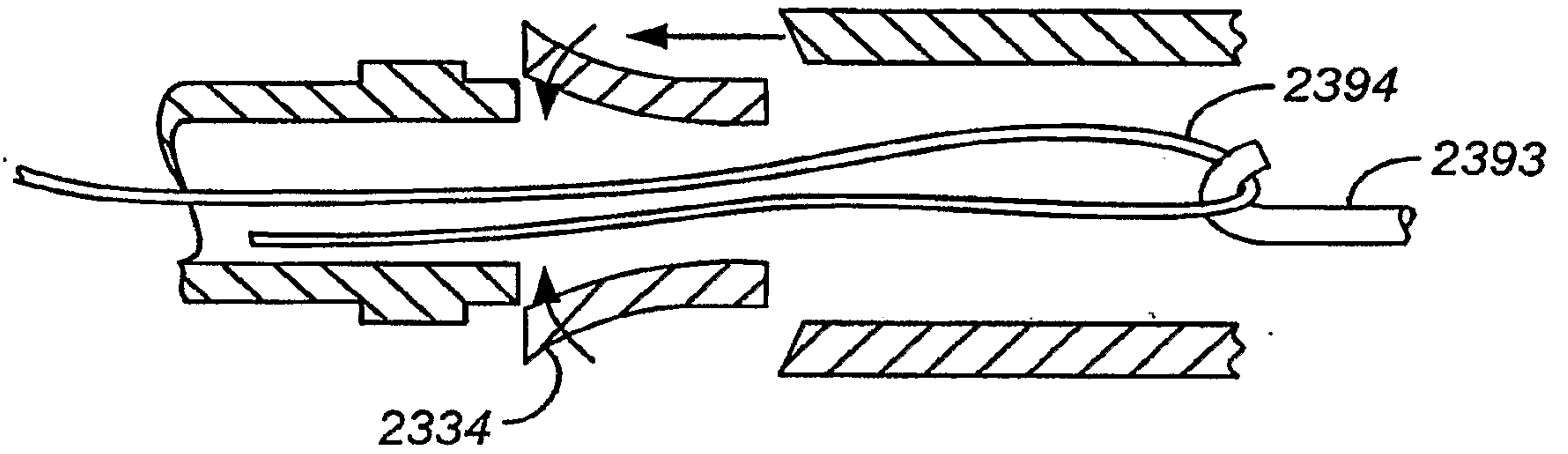


FIG. 29C

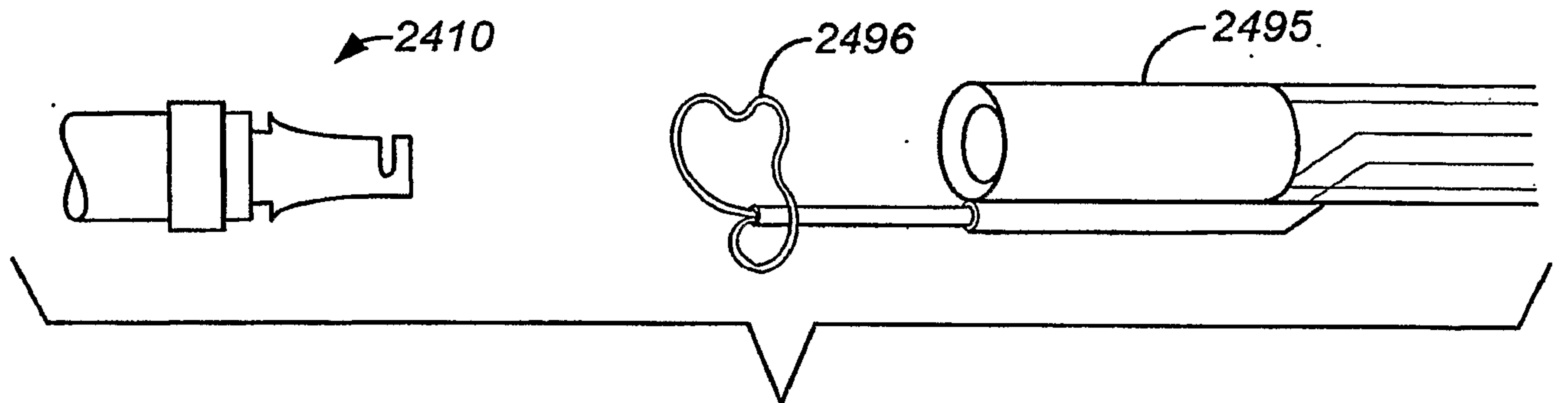


FIG. 30A

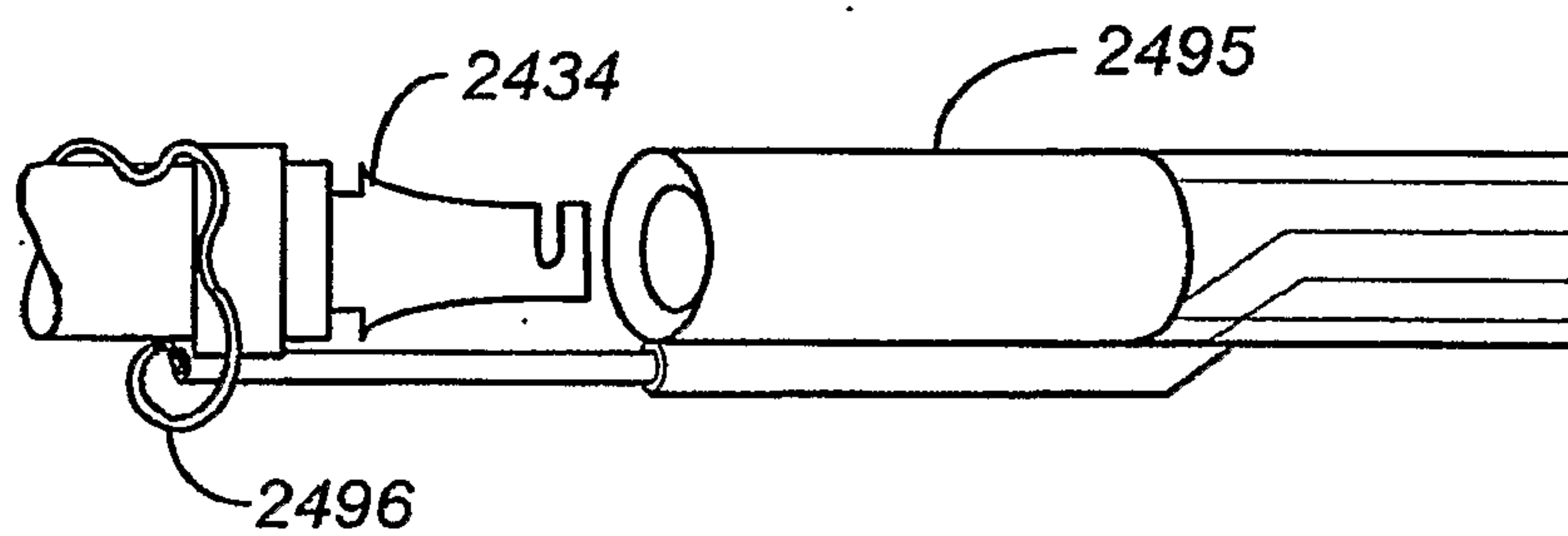


FIG. 30B

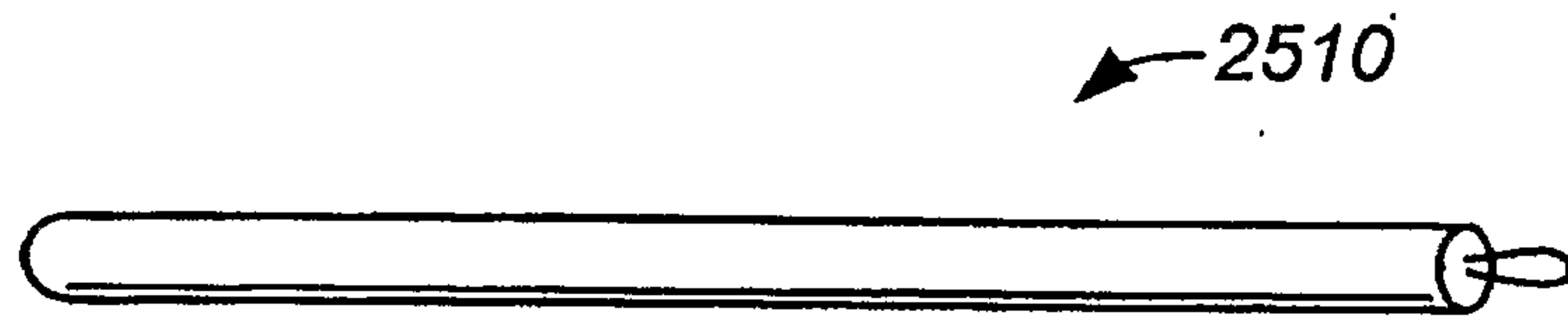


FIG. 31A

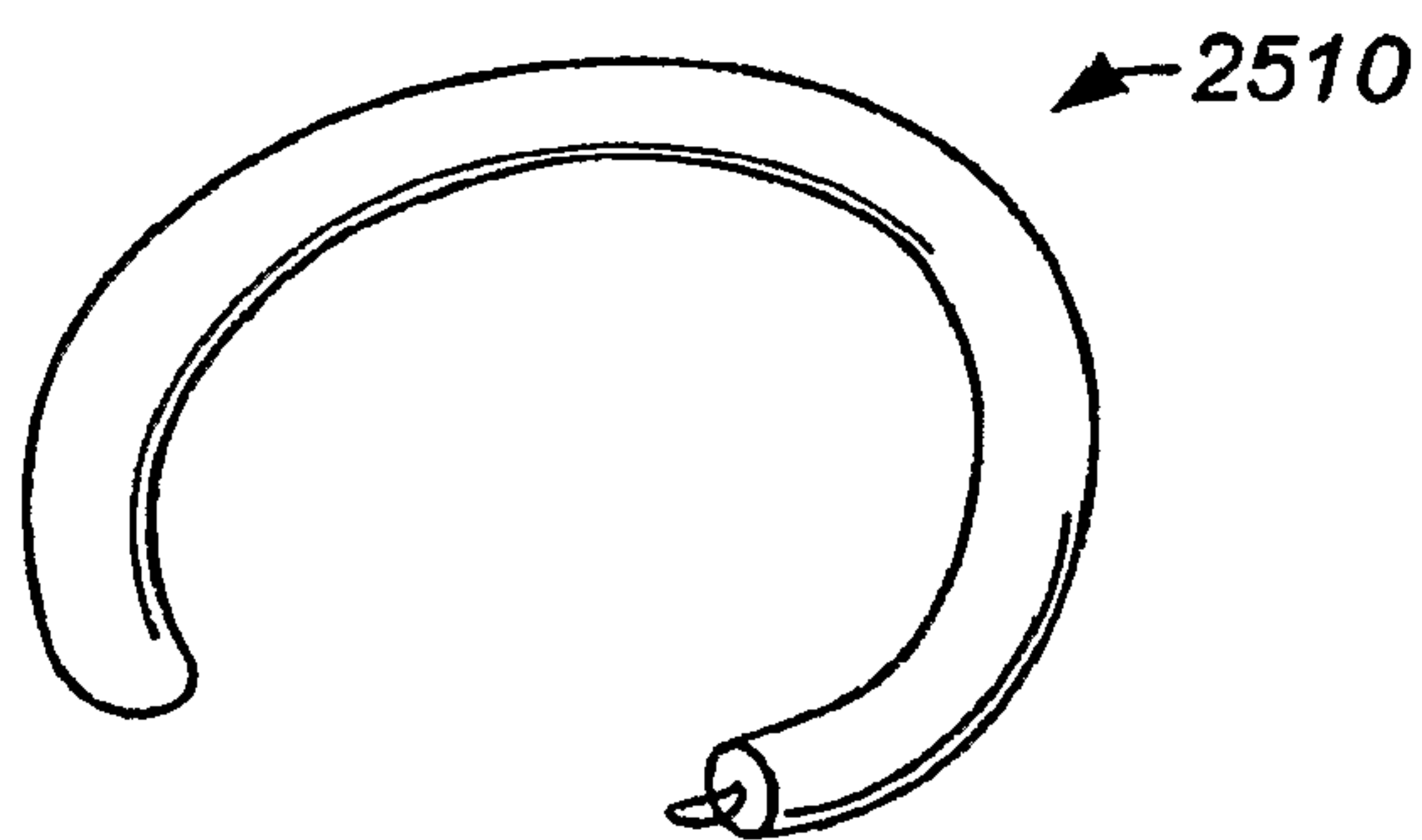


FIG. 31B

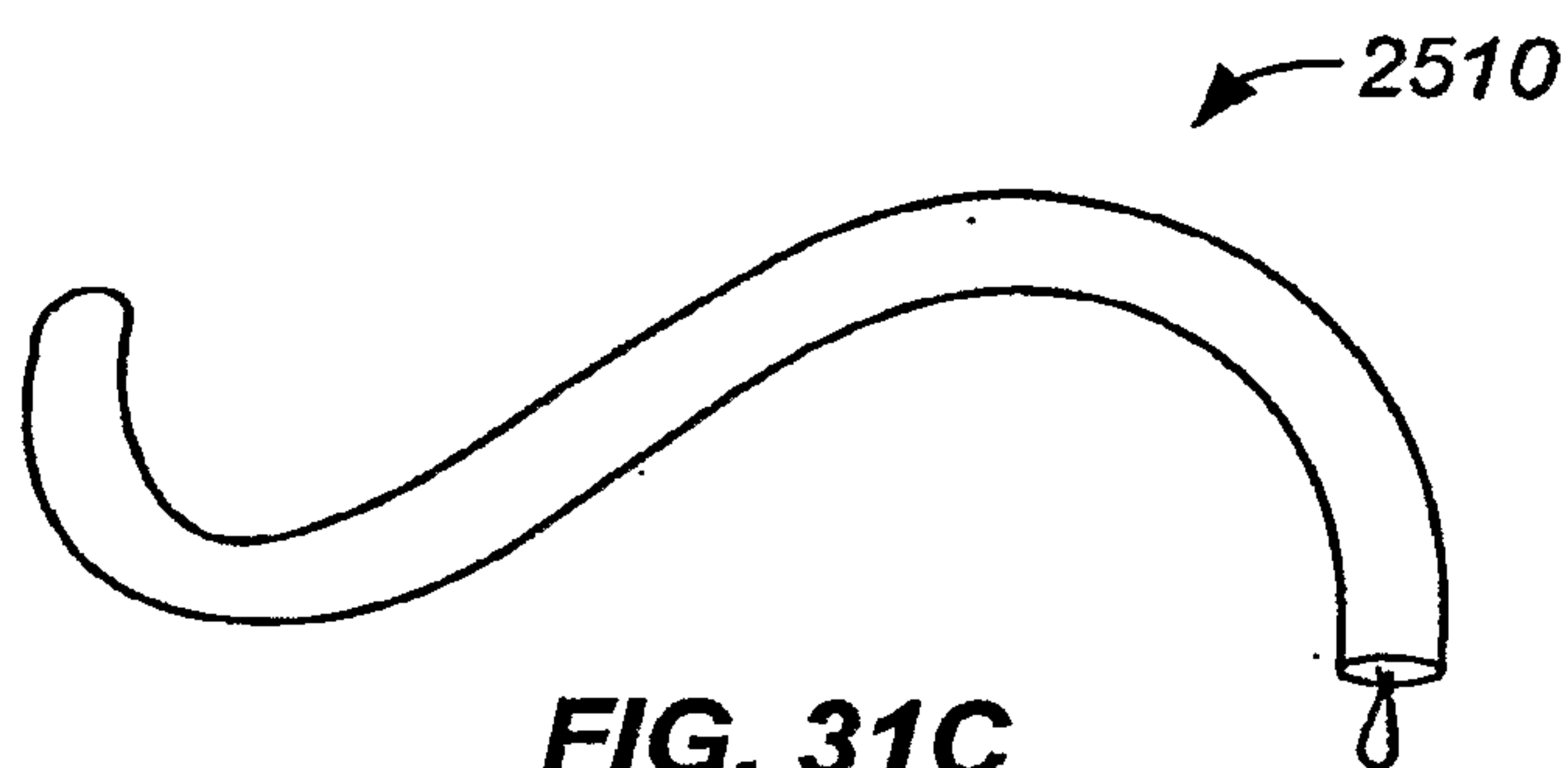


FIG. 31C

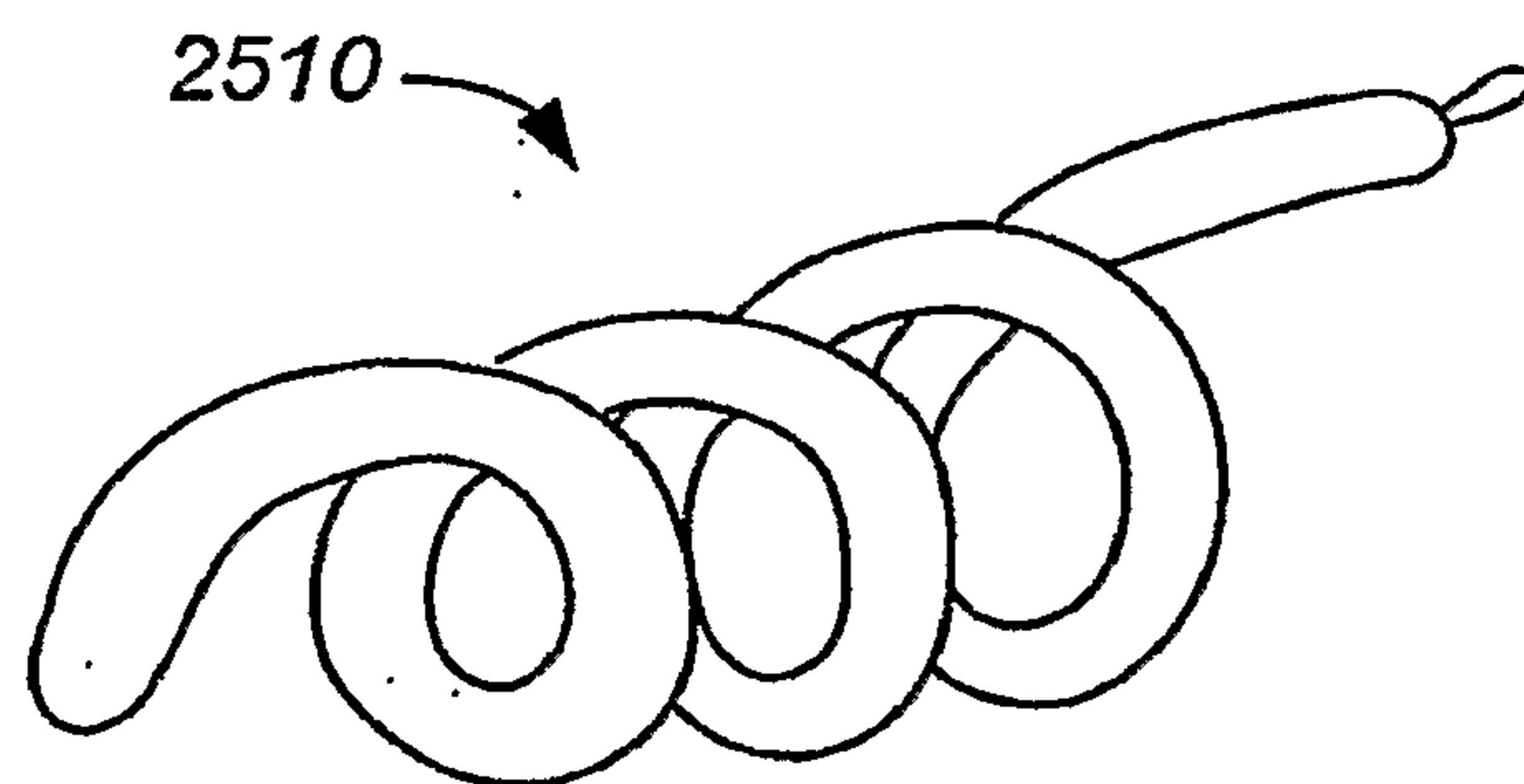


FIG. 31D

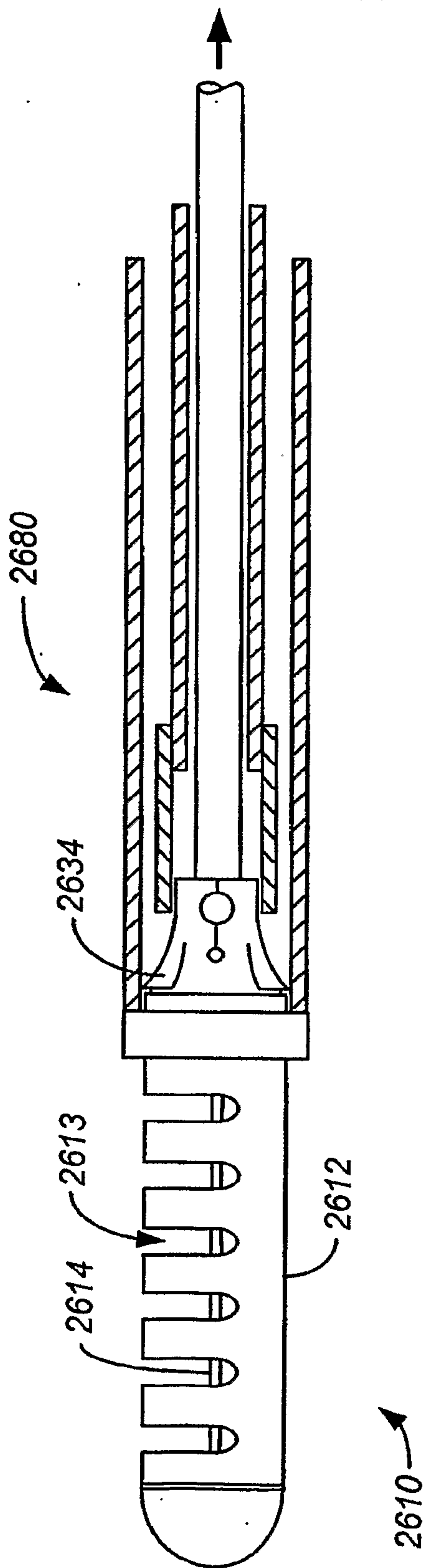


FIG. 32

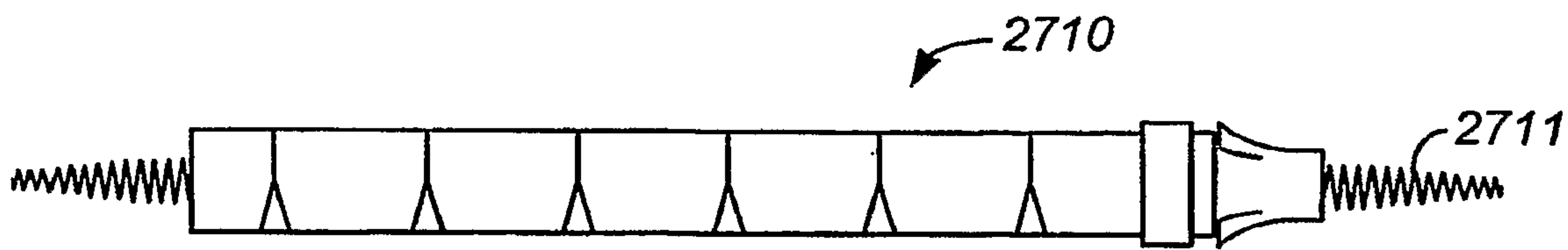


FIG. 33A

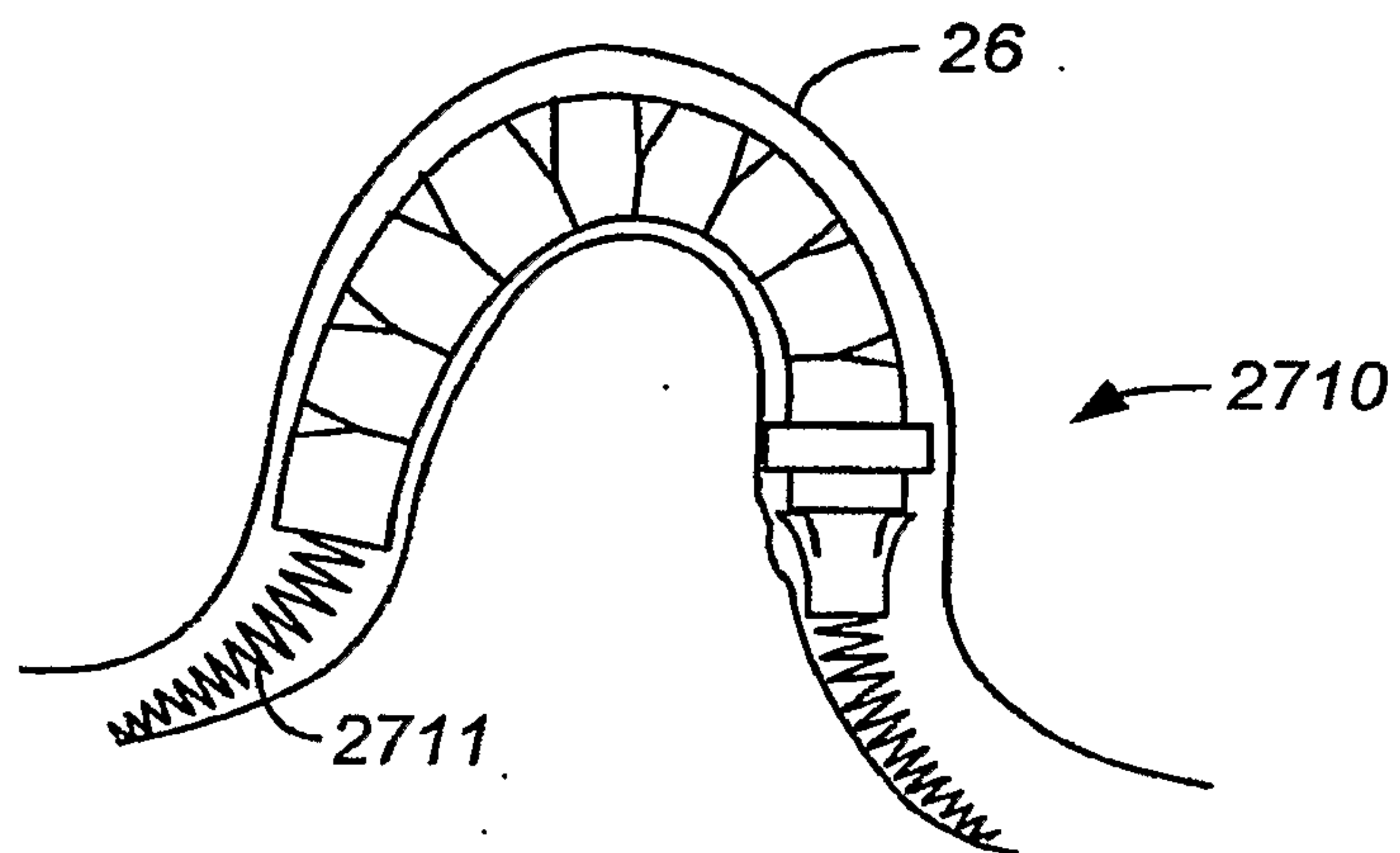


FIG. 33B

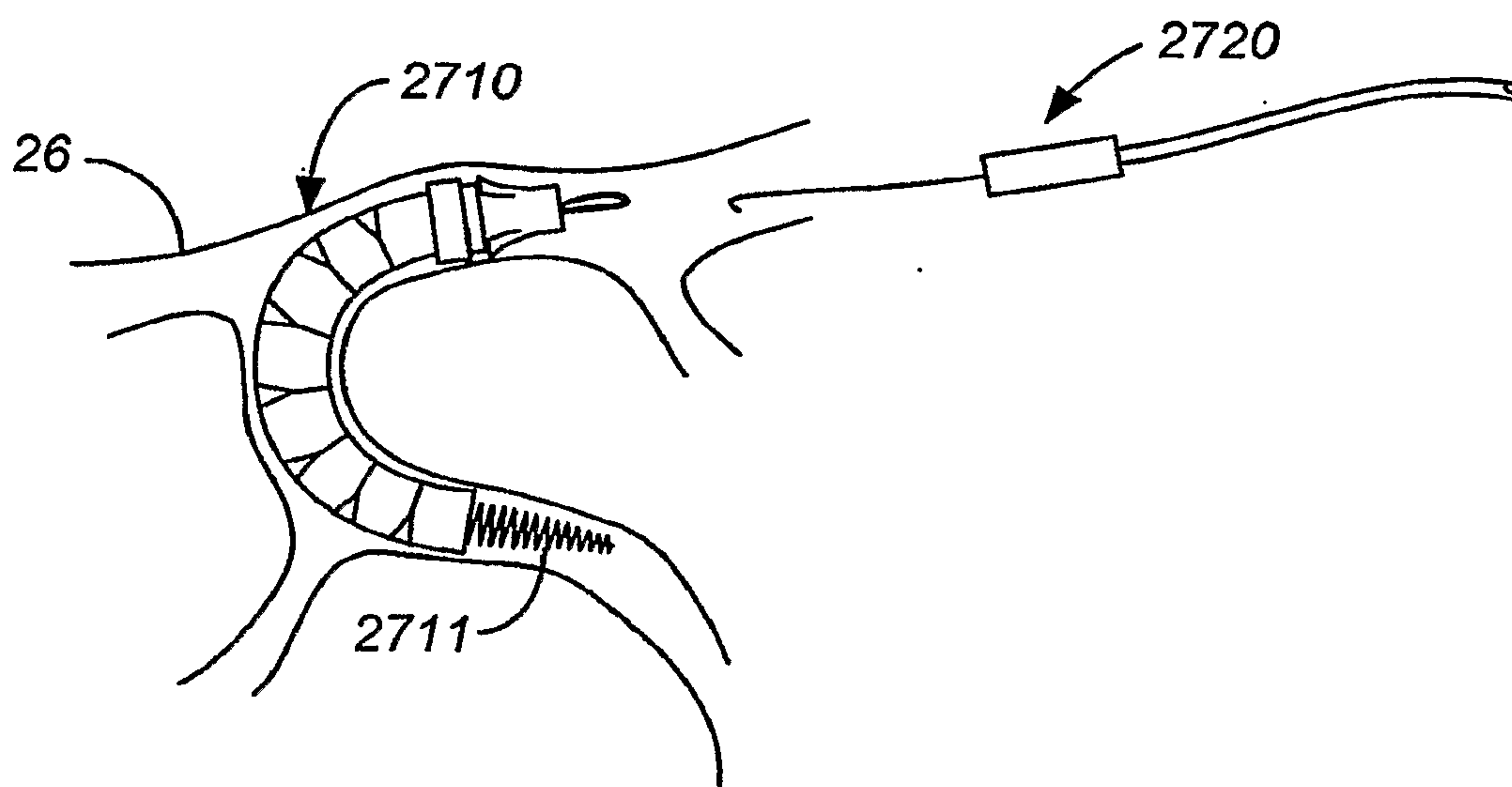


FIG. 33C

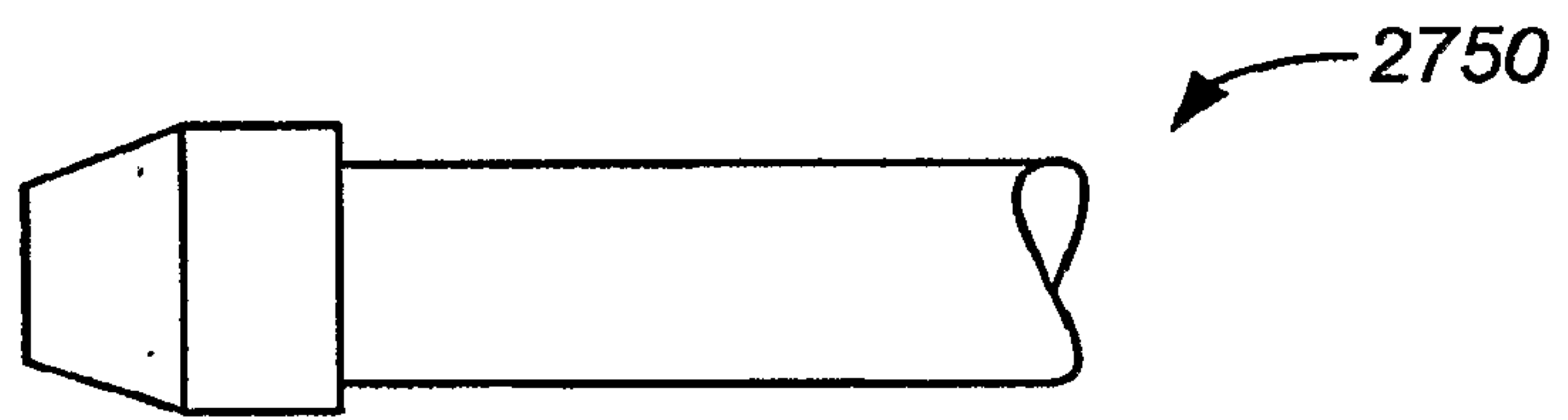


FIG. 34A

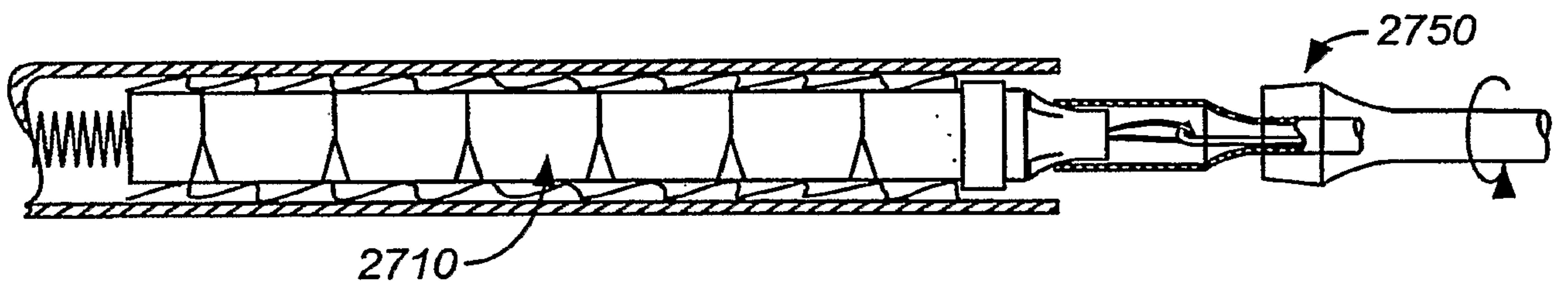


FIG. 34B

FIG. 35A

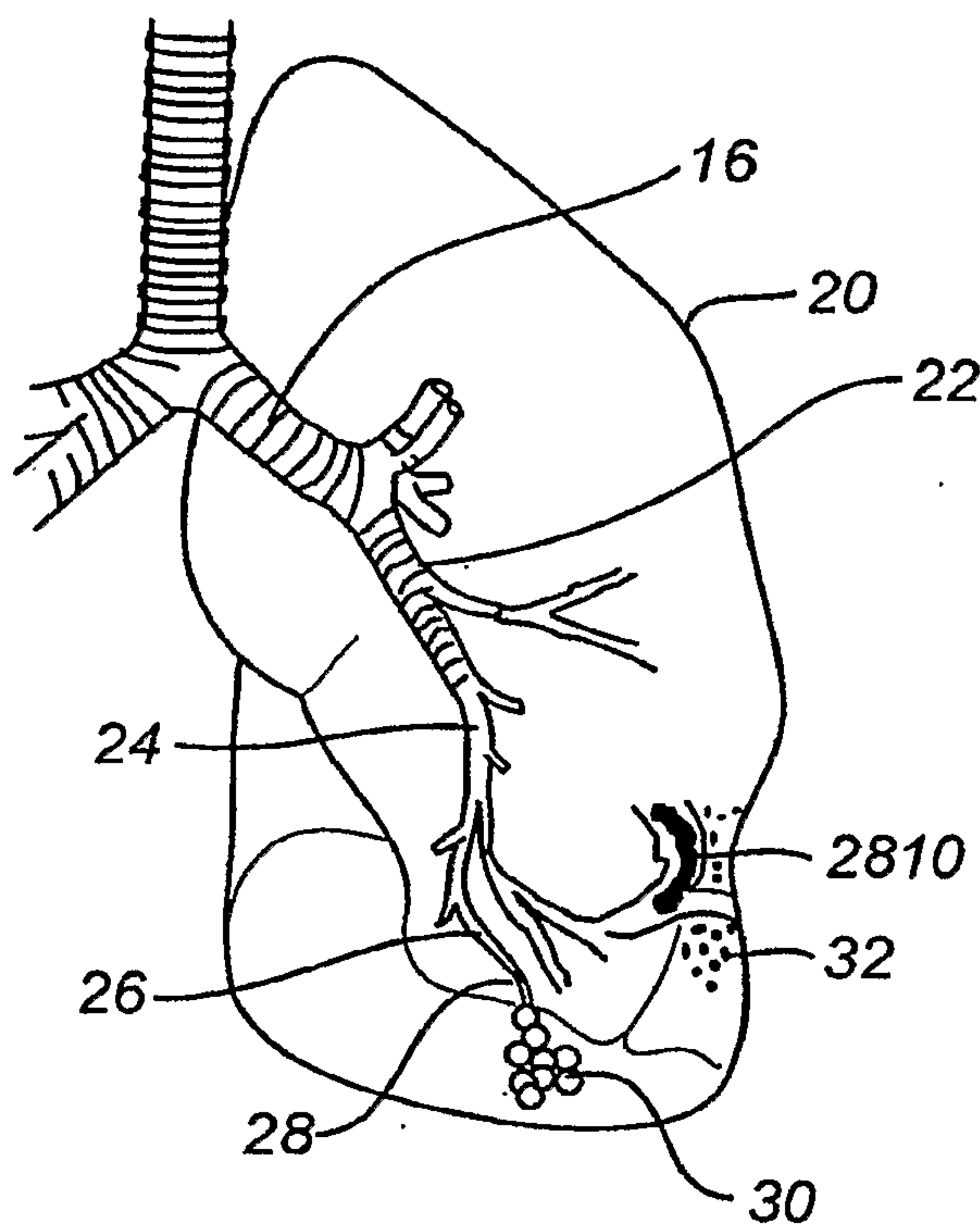
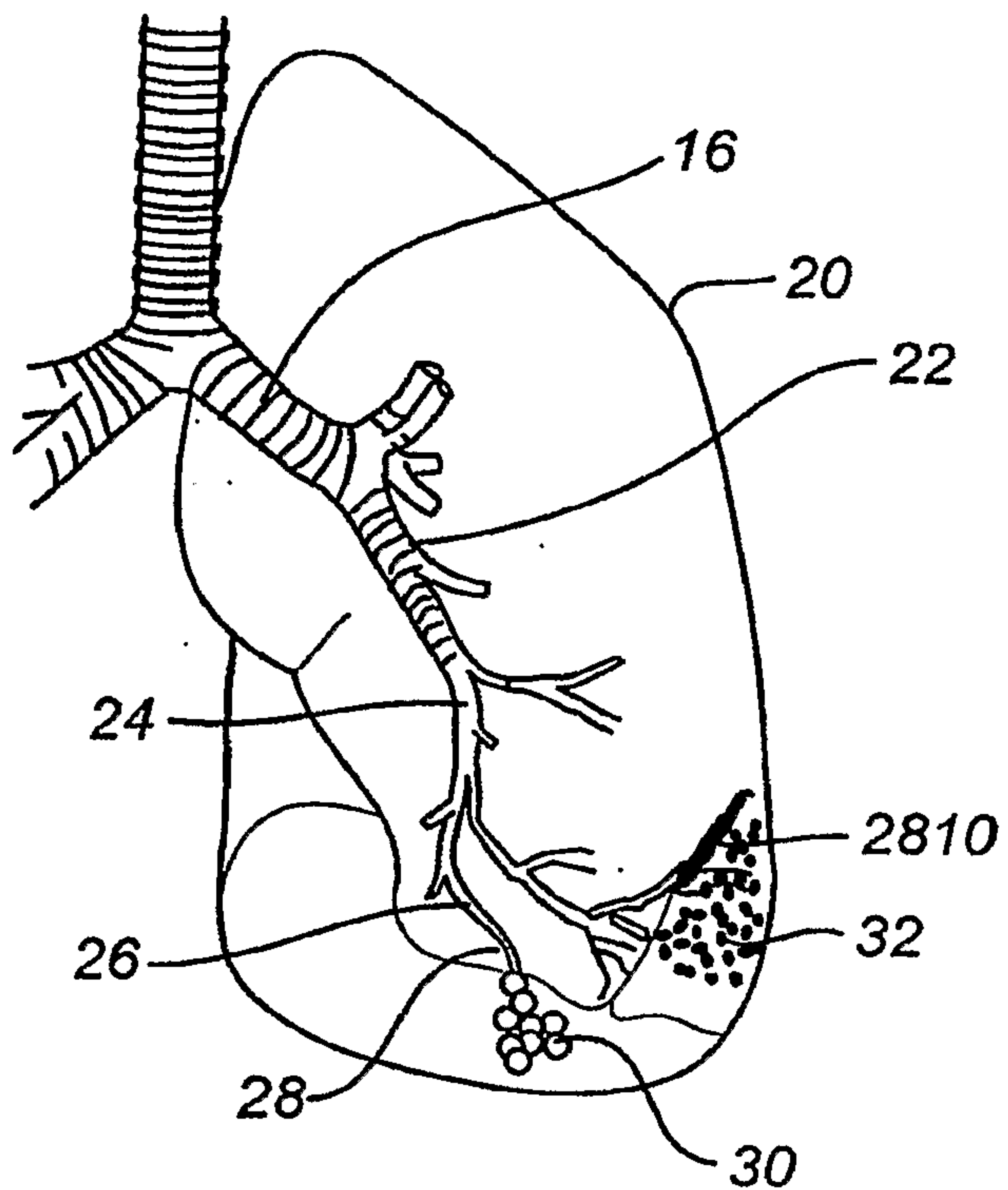


FIG. 35B

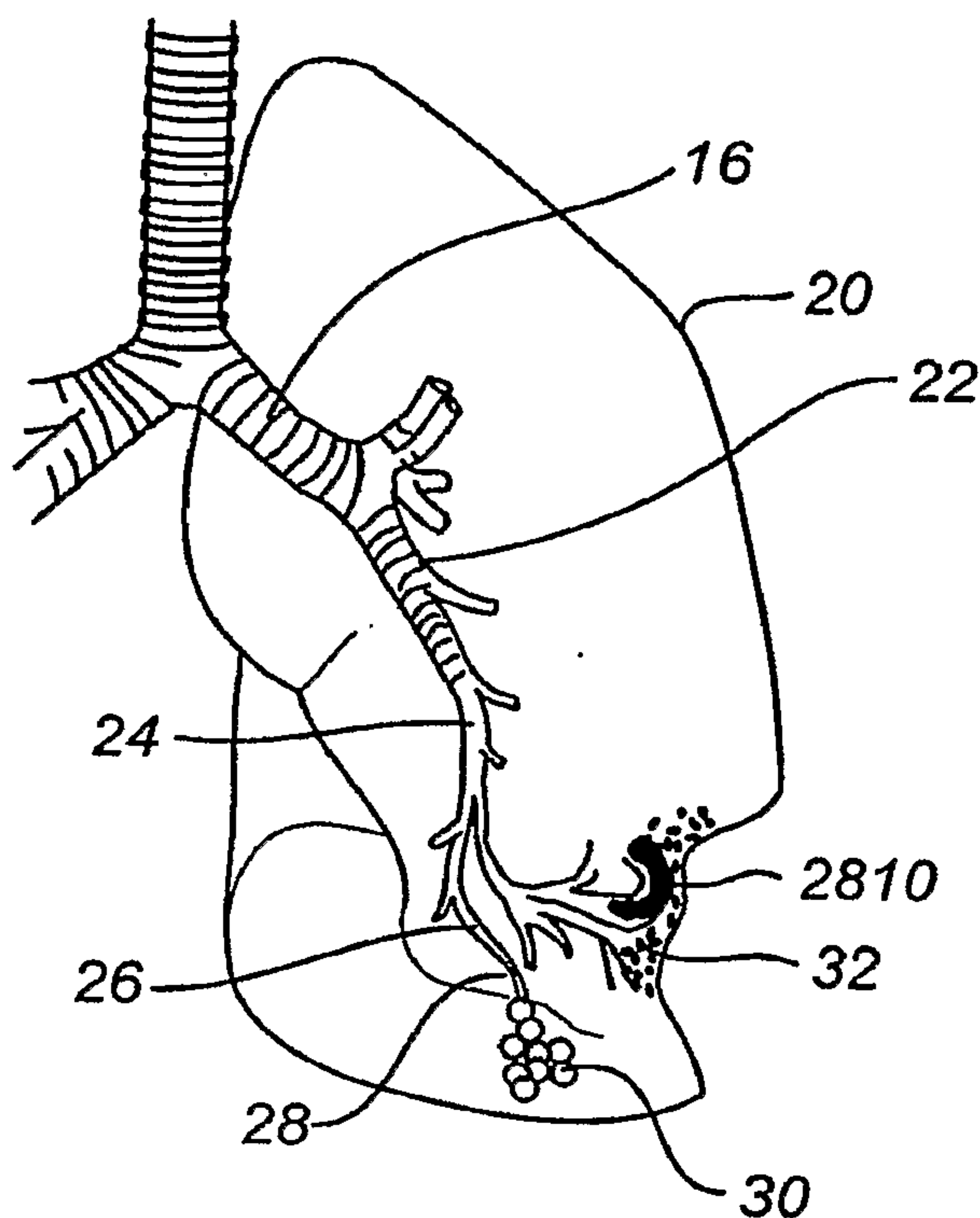


FIG. 35C

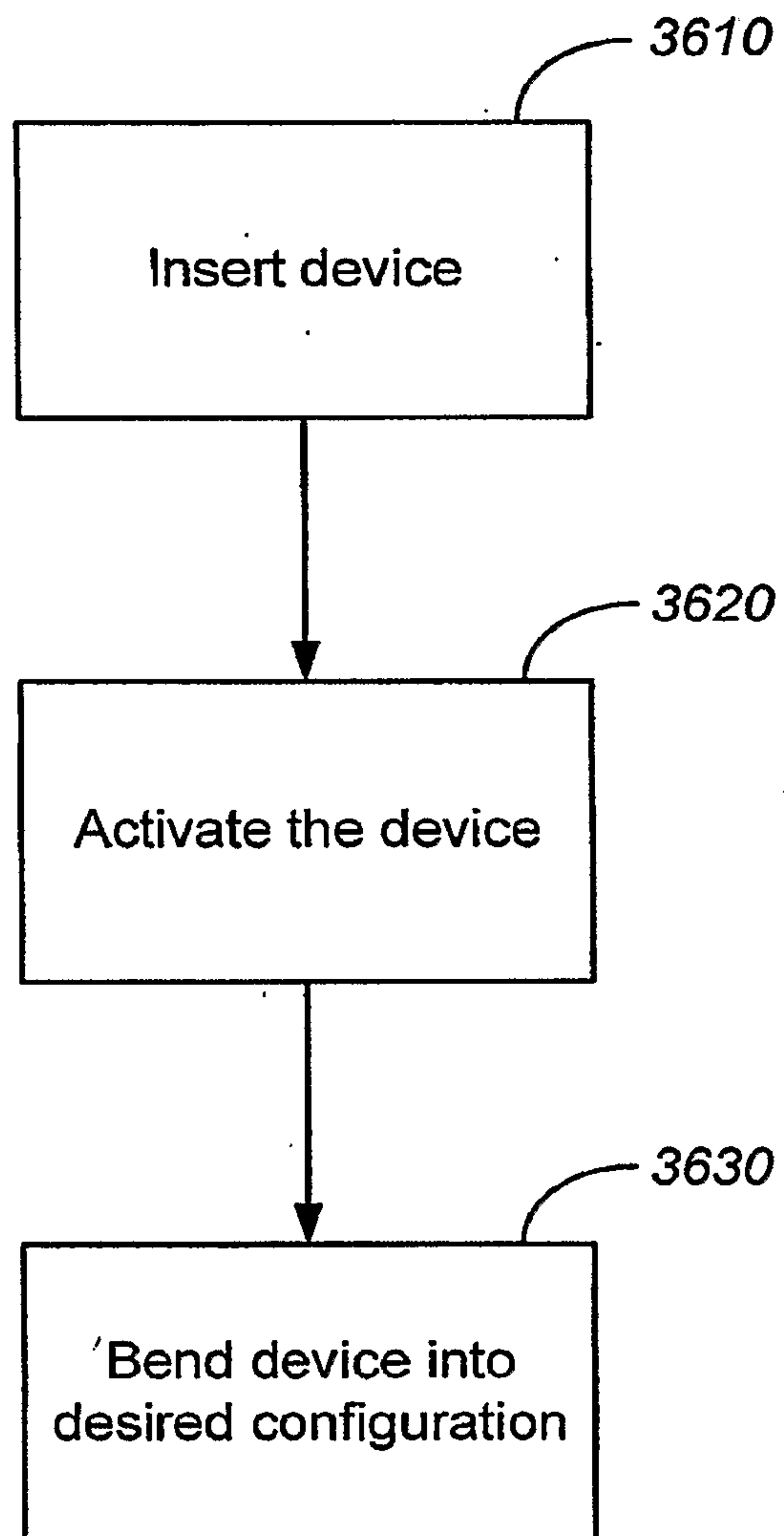
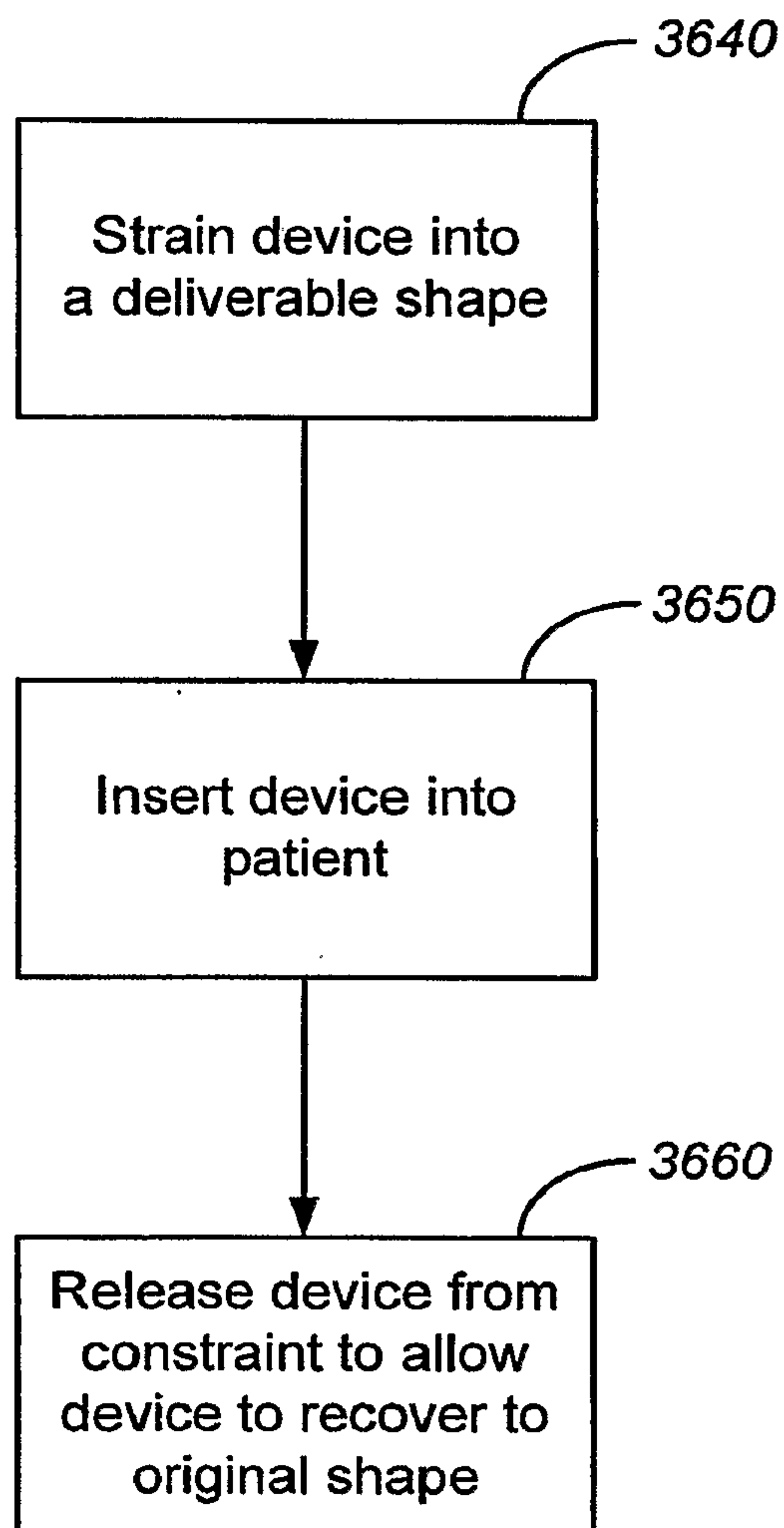


FIG. 36A

**FIG. 36B**

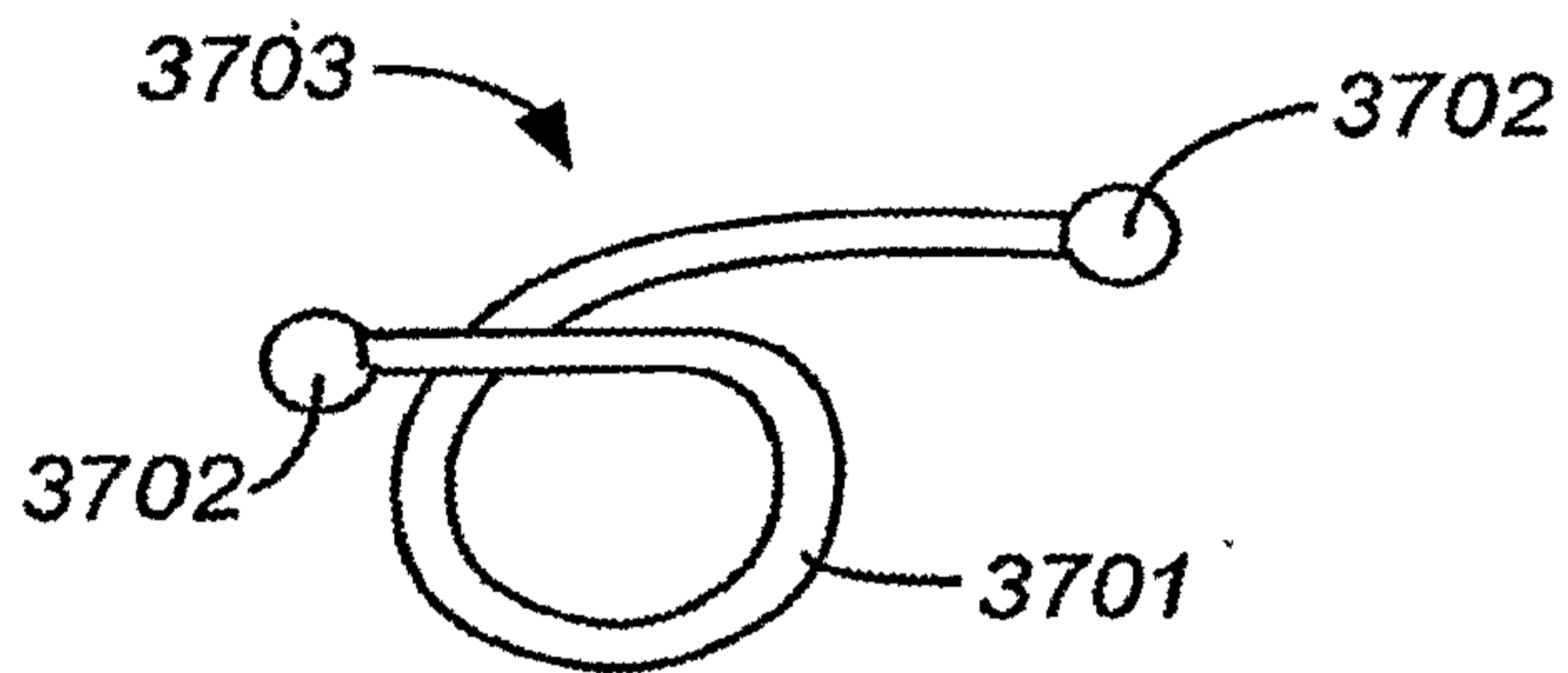


FIG. 37

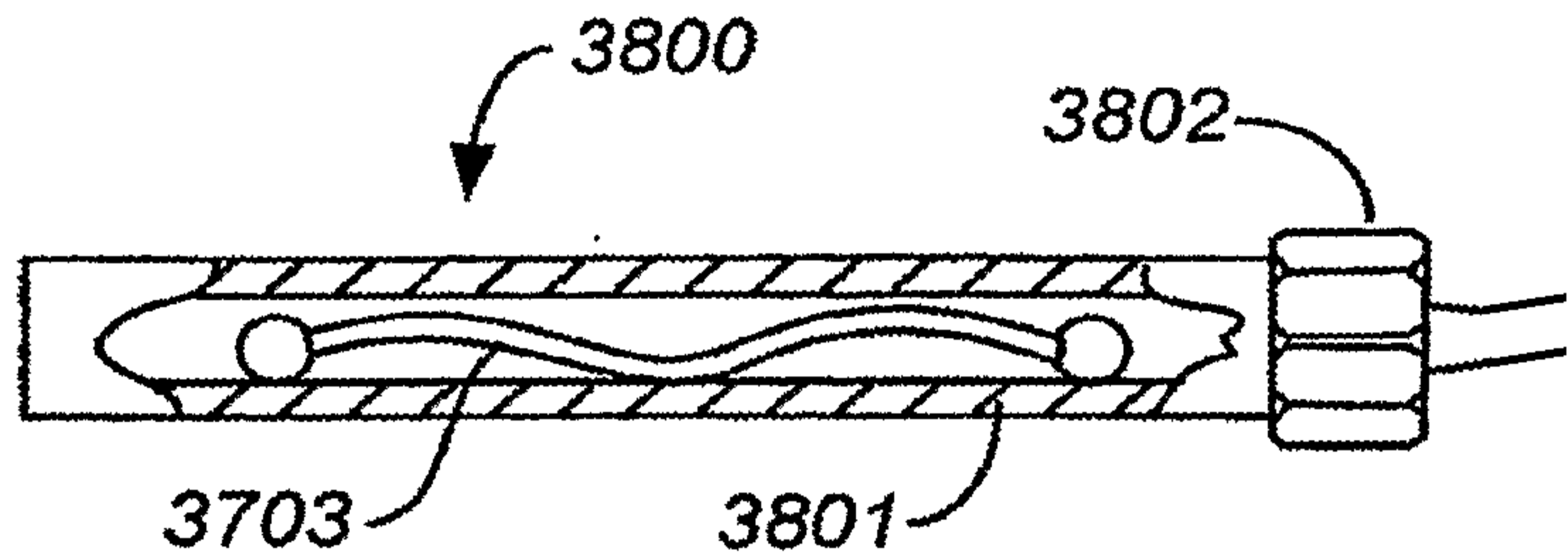


FIG. 38

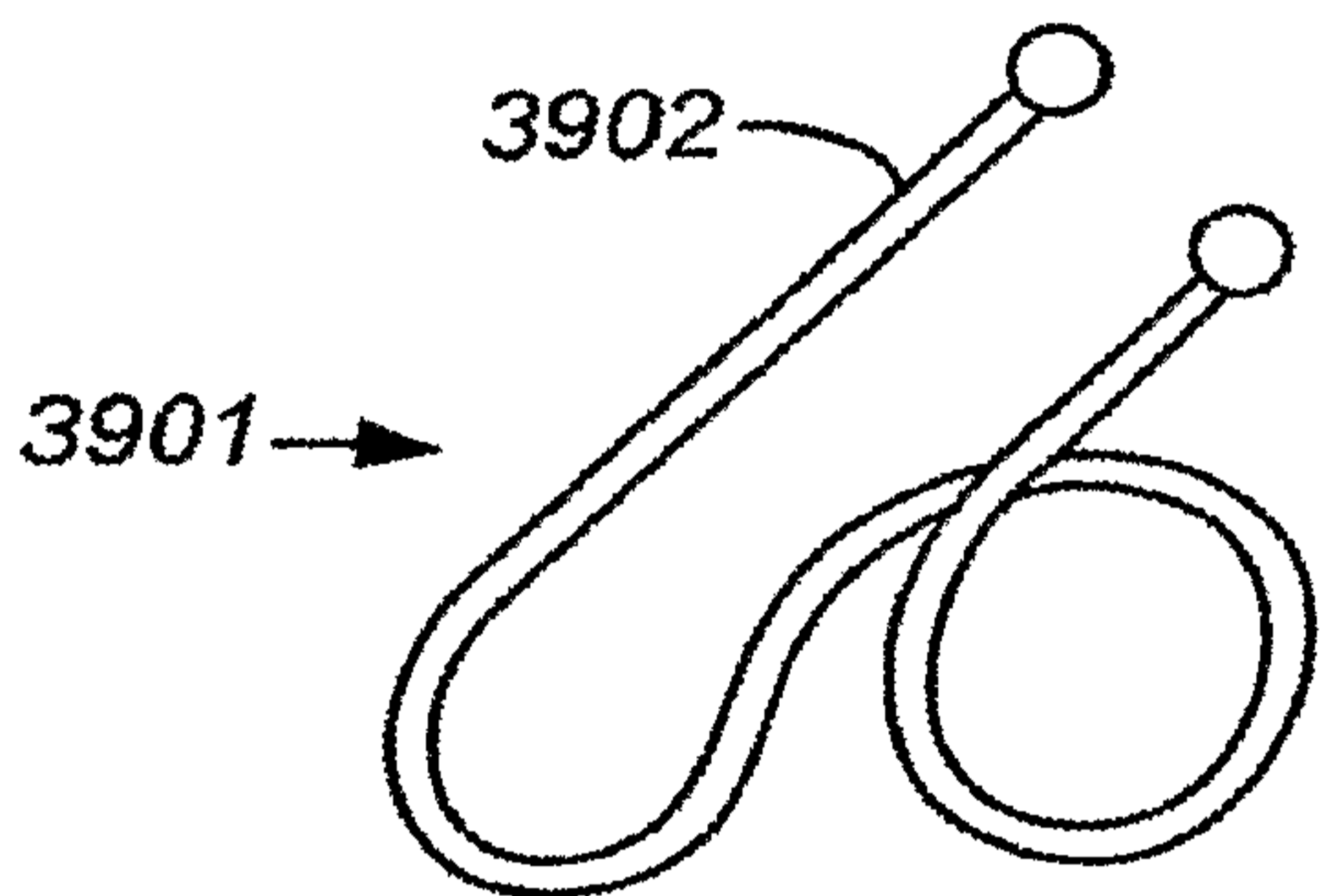


FIG. 39

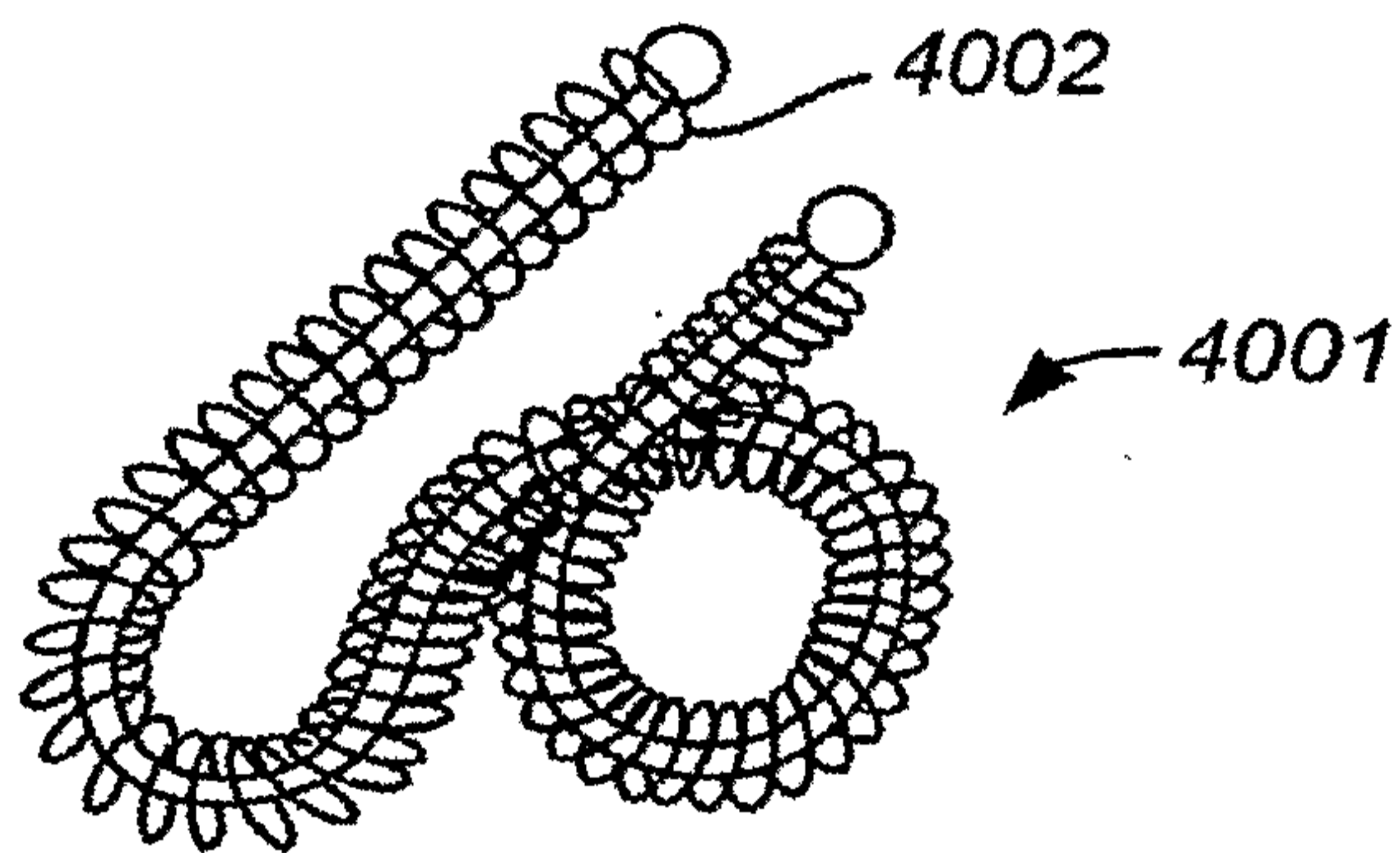


FIG. 40

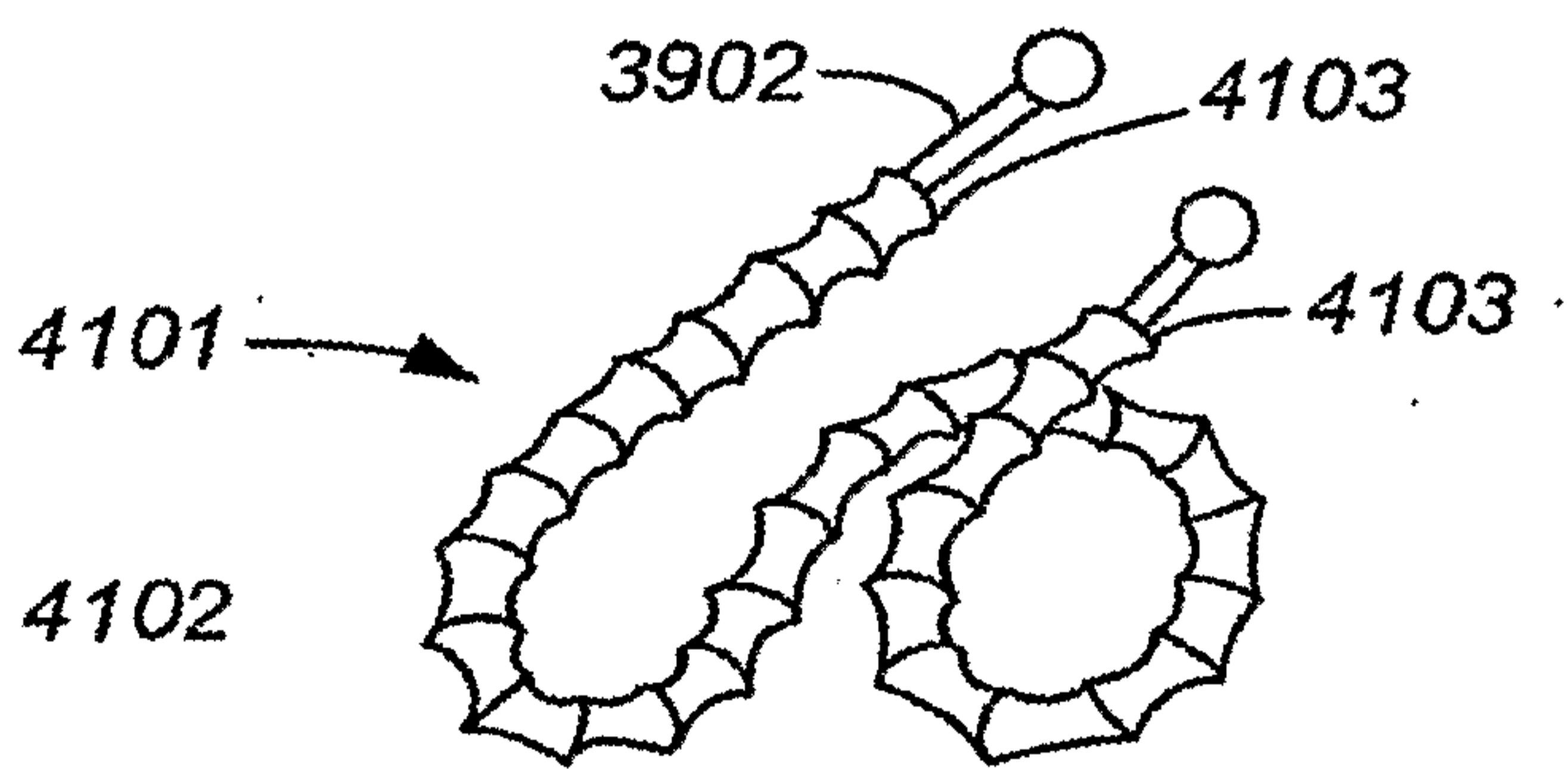


FIG. 41

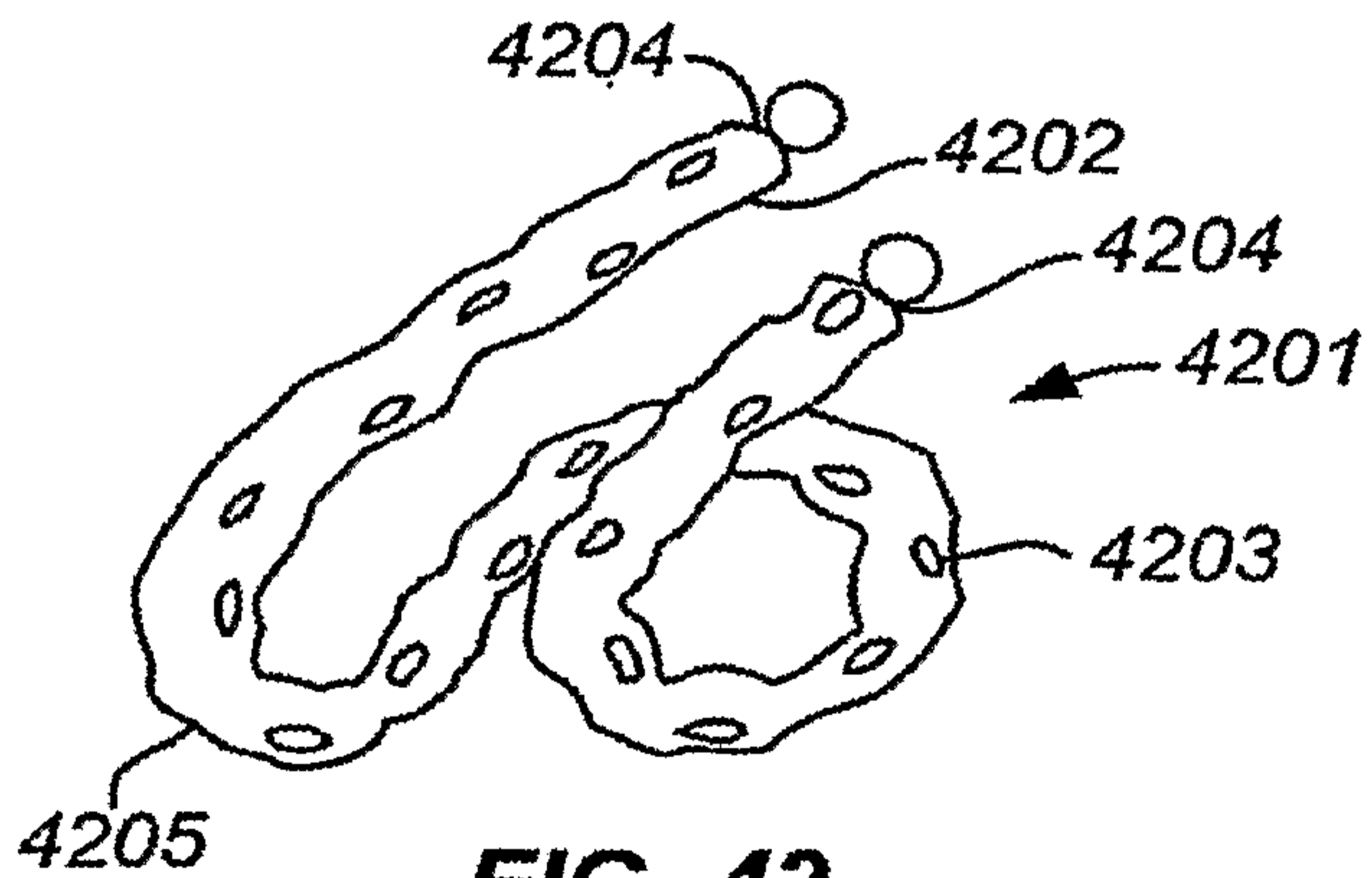


FIG. 42

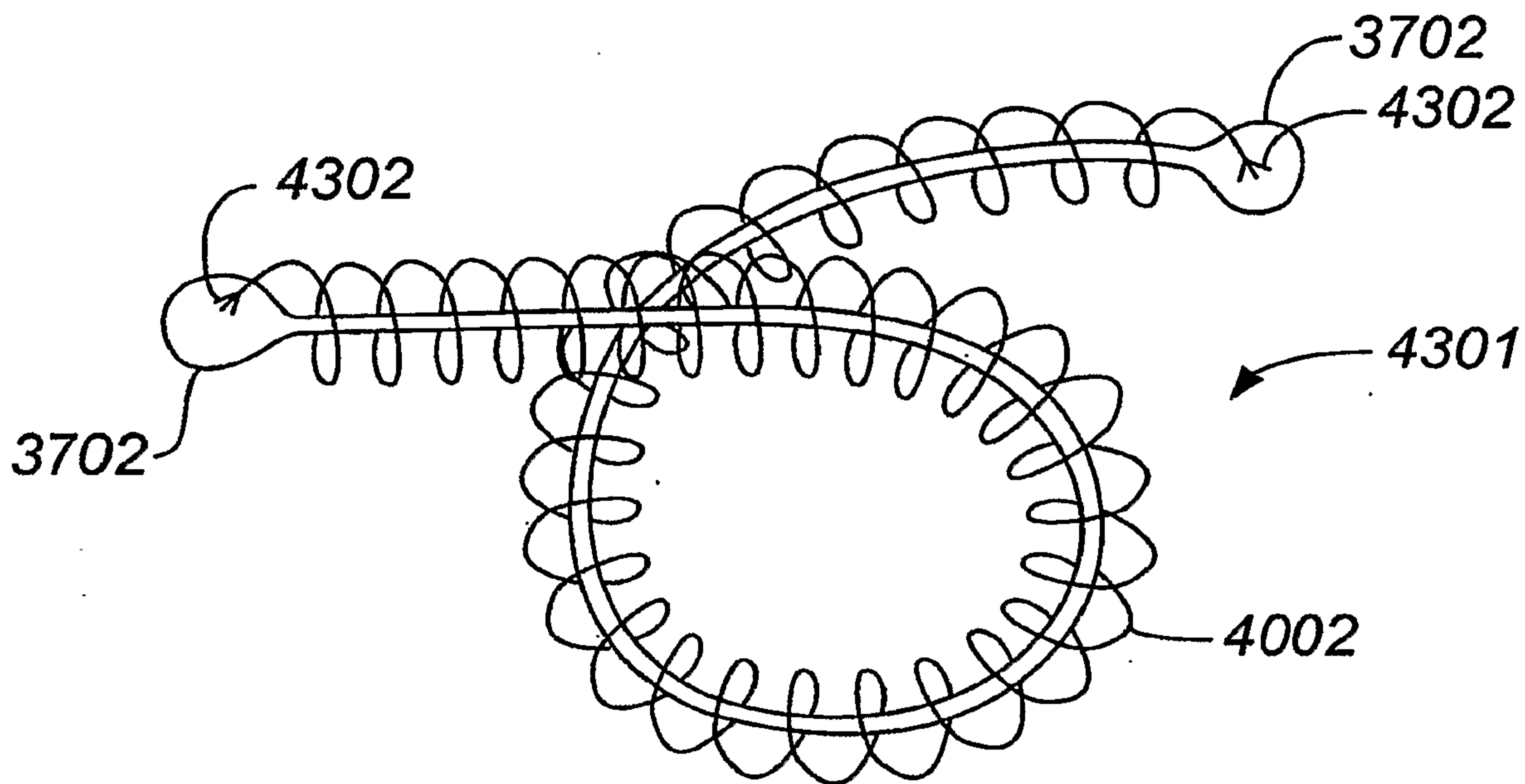


FIG. 43

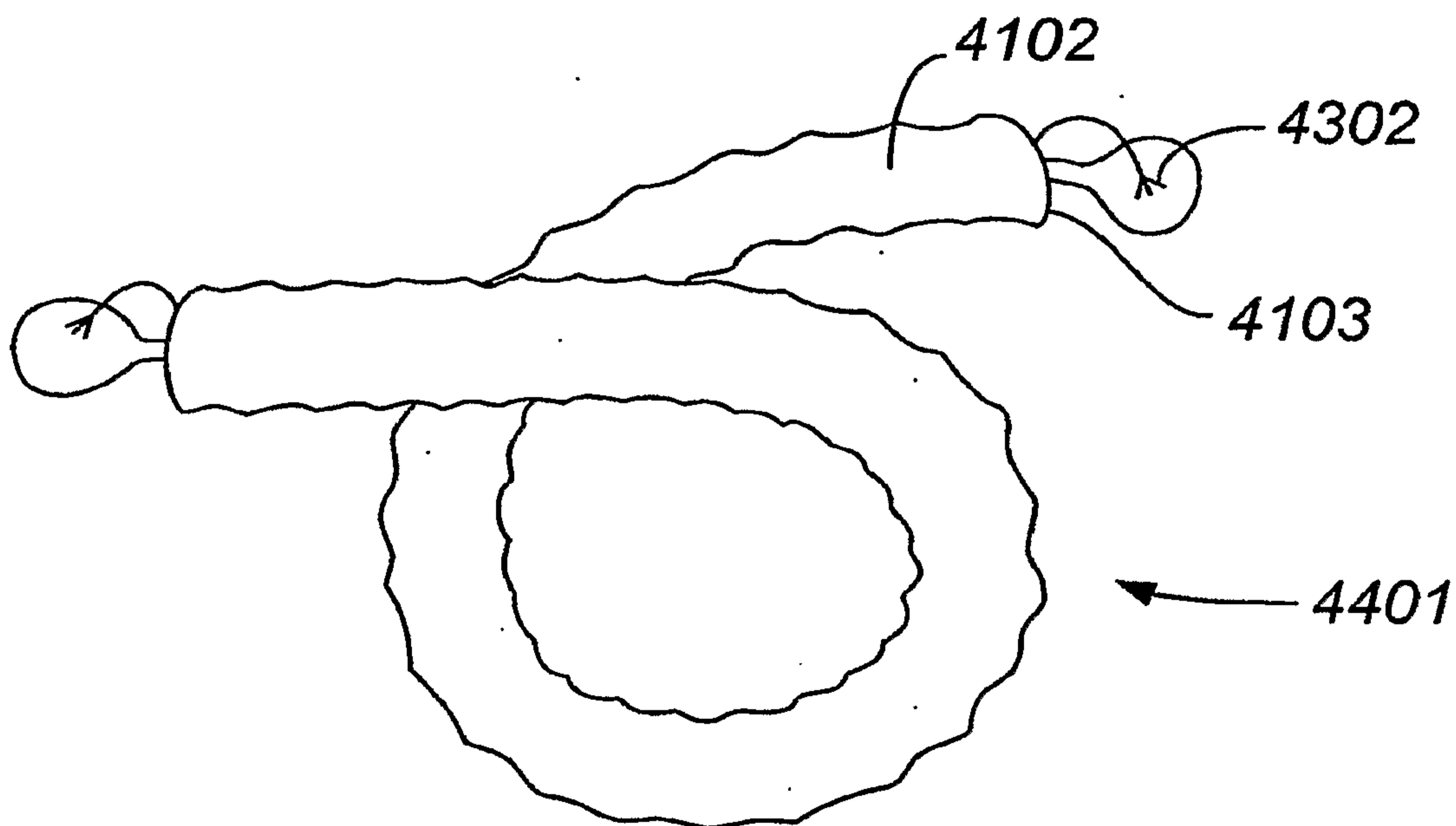


FIG. 44

FIG. 45

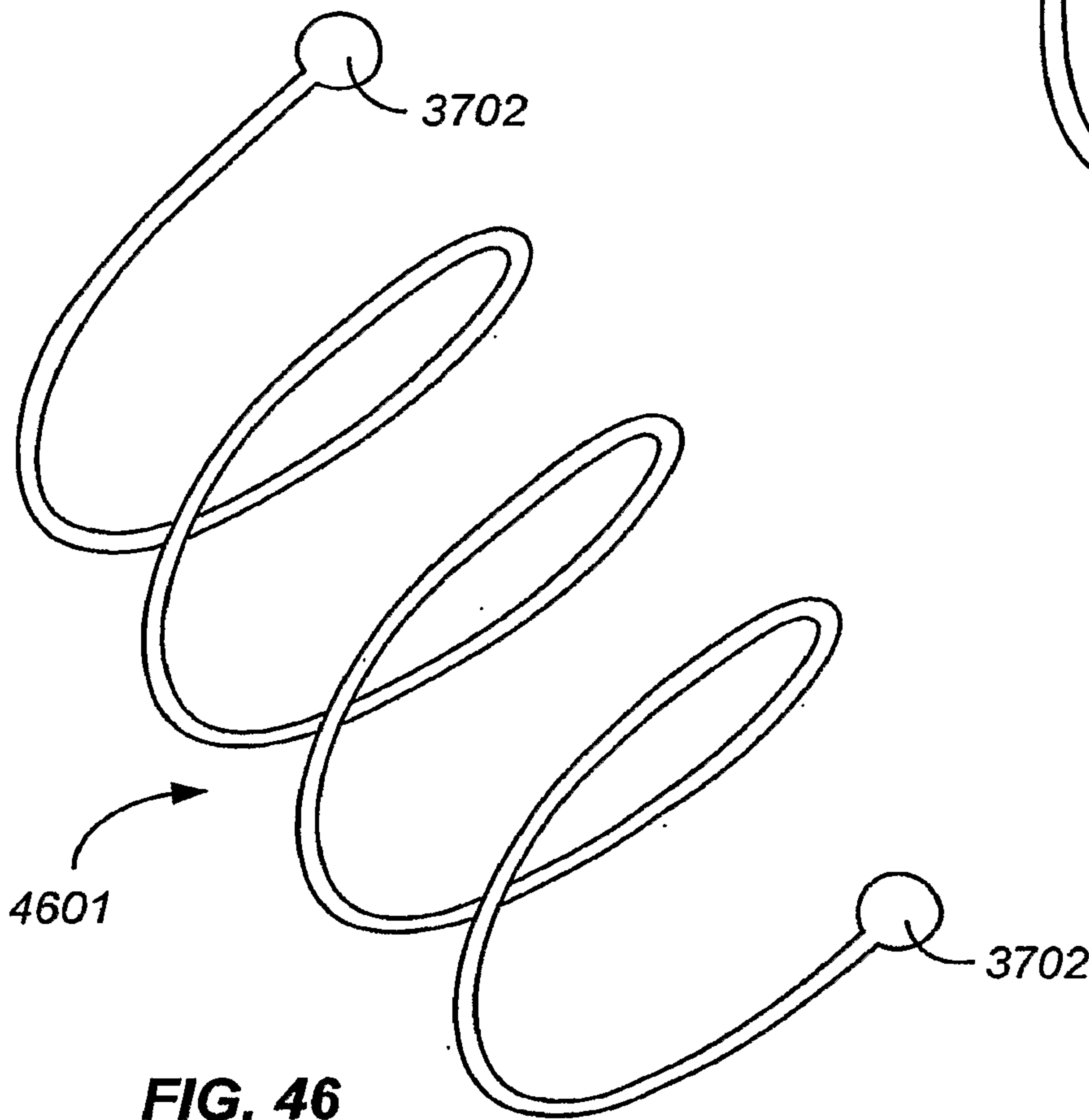
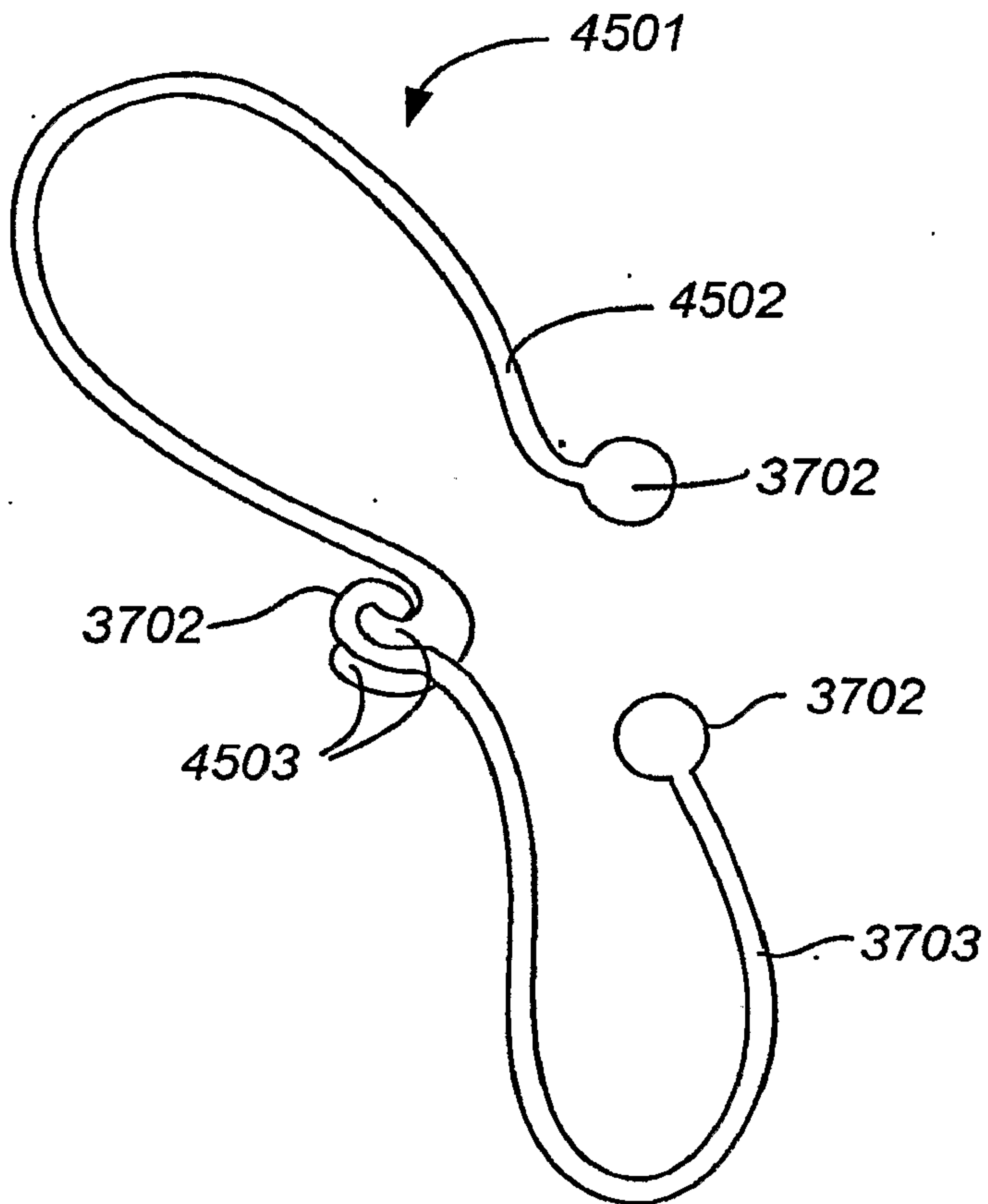


FIG. 46

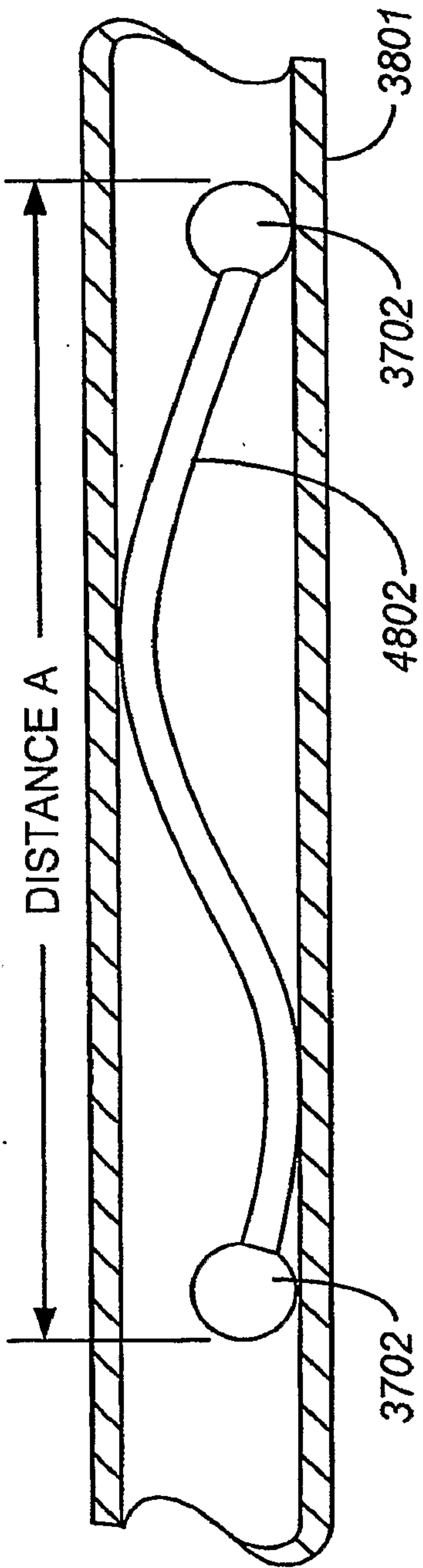


FIG. 47

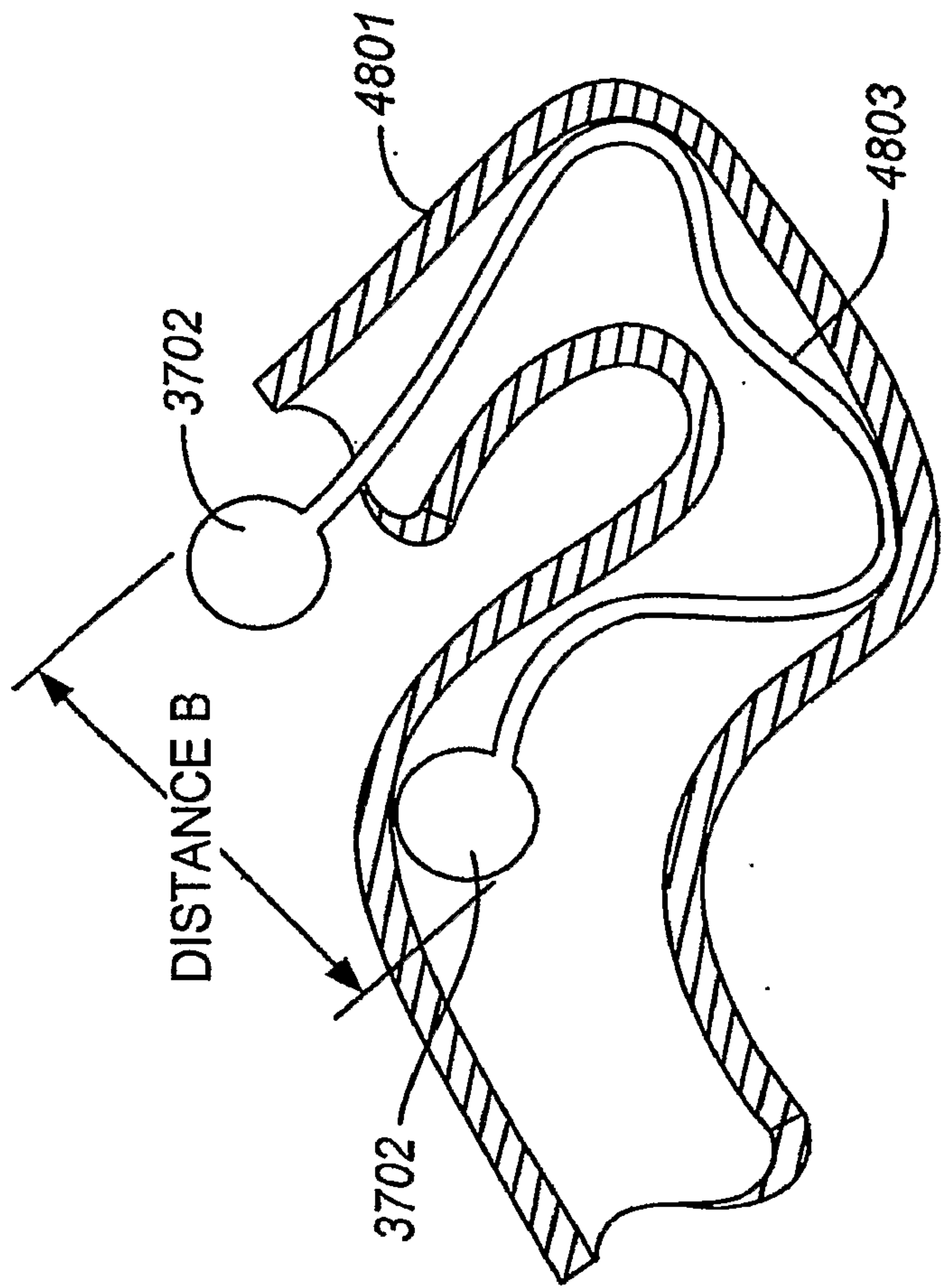


FIG. 48

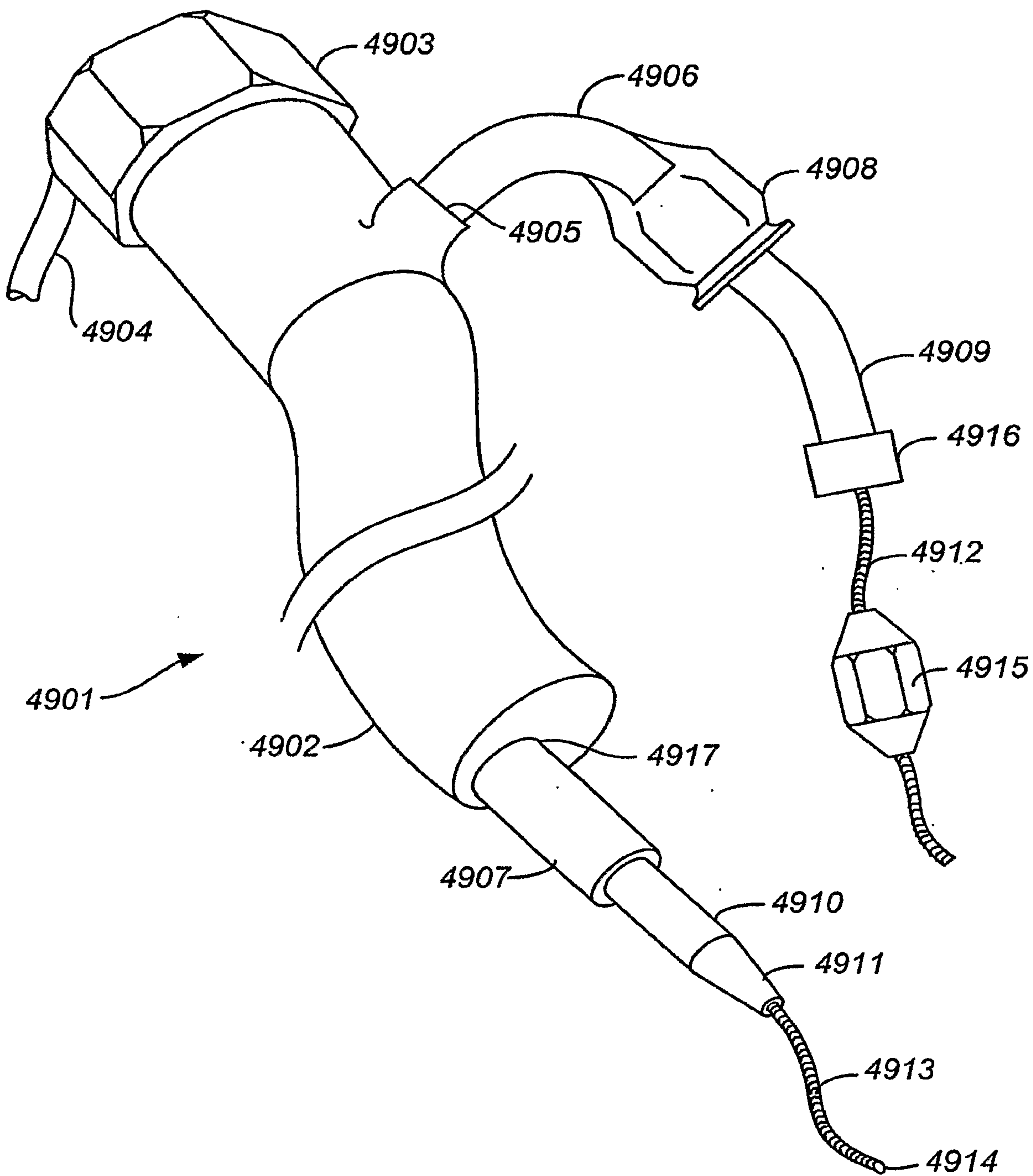


FIG. 49

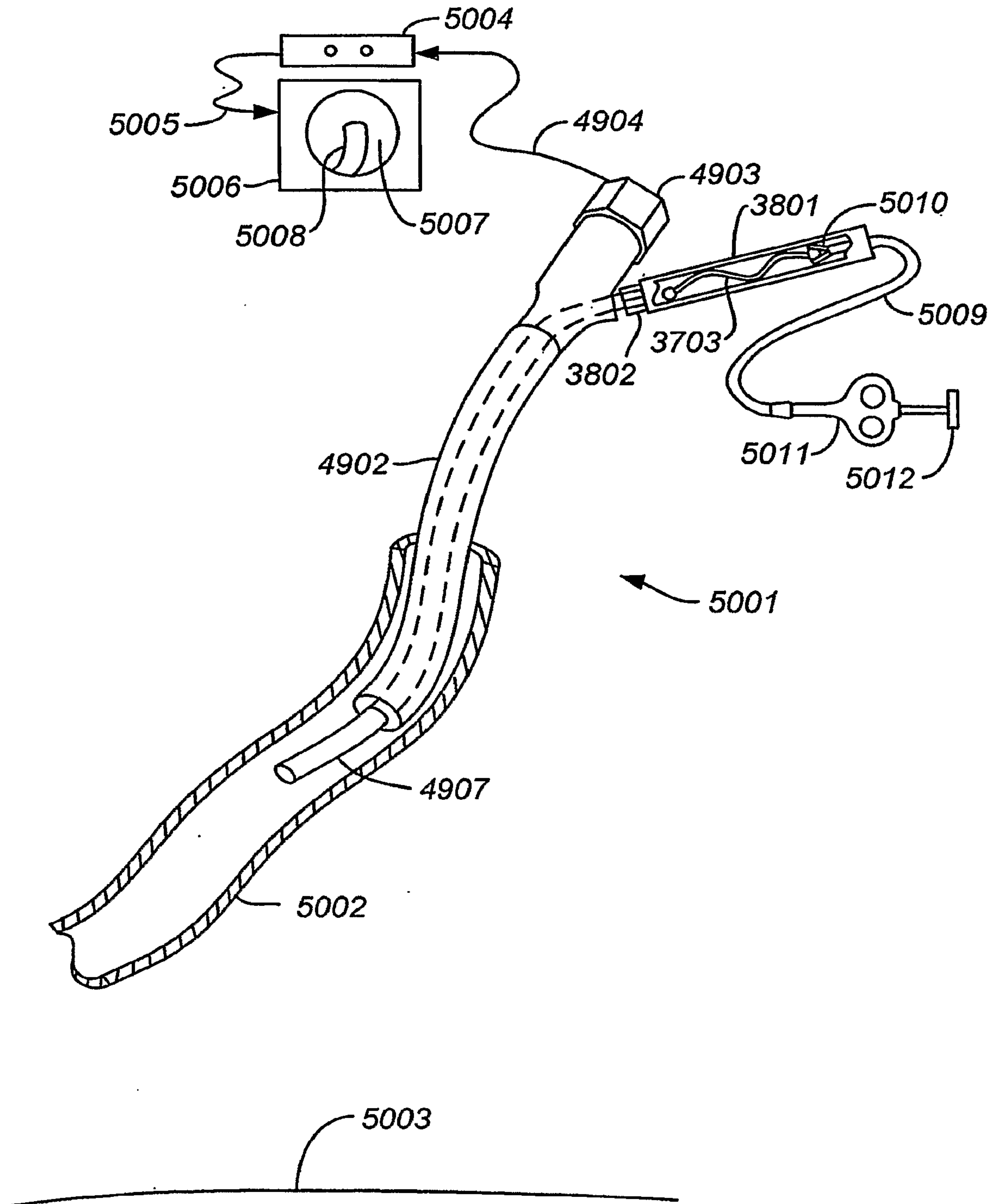


FIG. 50

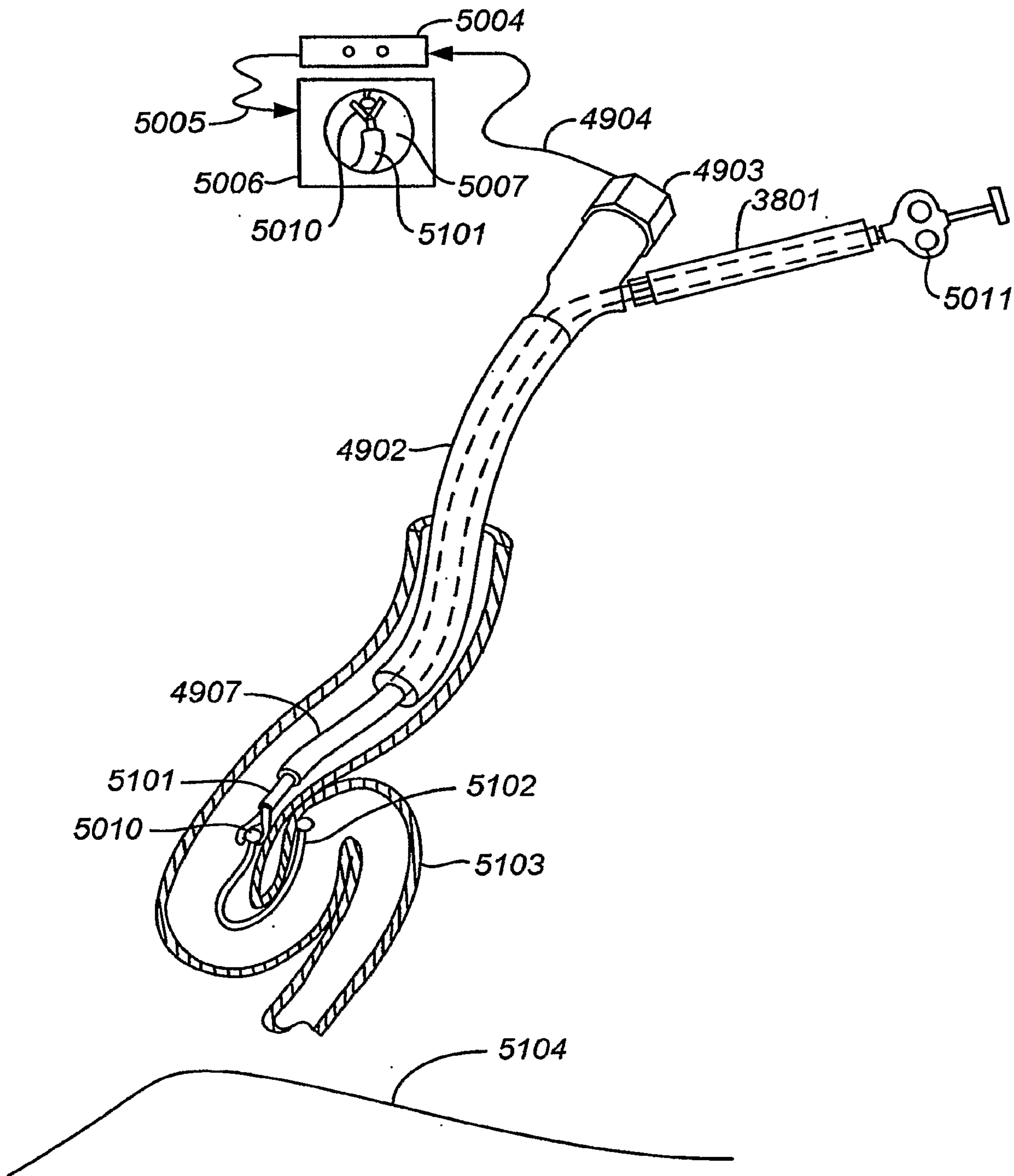


FIG. 51

