

CORRECTED VERSION

(19) World Intellectual Property Organization International Bureau



(10) International Publication Number WO 2015/019368 A8

(43) International Publication Date 12 February 2015 (12.02.2015)

- (51) International Patent Classification: H04N 13/00 (2006.01)
(21) International Application Number: PCT/IT2013/000220
(22) International Filing Date: 5 August 2013 (05.08.2013)
(25) Filing Language: Italian
(26) Publication Language: English
(71) Applicant: REALVISION S.R.L. [IT/IT]; Viale Bianca Maria 3, I-20122 Milano (IT).
(72) Inventor: PISANI, Sabino; Via Matteotti 28, 20027 Rescaldina (Milano) (IT).
(74) Agents: BELLASIO, Marco et al.; c/o Bugnion S.p.A., Viale Lancetti 17, I-20158 Milano (IT).
(81) Designated States (unless otherwise indicated, for every kind of national protection available): AE, AG, AL, AM, AO, AT, AU, AZ, BA, BB, BG, BH, BN, BR, BW, BY, BZ, CA, CH, CL, CN, CO, CR, CU, CZ, DE, DK, DM, DO, DZ, EC, EE, EG, ES, FI, GB, GD, GE, GH, GM, GT, HN, HR, HU, ID, IL, IN, IS, JP, KE, KG, KN, KP, KR,

KZ, LA, LC, LK, LR, LS, LT, LU, LY, MA, MD, ME, MG, MK, MN, MW, MX, MY, MZ, NA, NG, NI, NO, NZ, OM, PA, PE, PG, PH, PL, PT, QA, RO, RS, RU, RW, SA, SC, SD, SE, SG, SK, SL, SM, ST, SV, SY, TH, TJ, TM, TN, TR, TT, TZ, UA, UG, US, UZ, VC, VN, ZA, ZM, ZW.

(84) Designated States (unless otherwise indicated, for every kind of regional protection available): ARIPO (BW, GH, GM, KE, LR, LS, MW, MZ, NA, RW, SD, SL, SZ, TZ, UG, ZM, ZW), Eurasian (AM, AZ, BY, KG, KZ, RU, TJ, TM), European (AL, AT, BE, BG, CH, CY, CZ, DE, DK, EE, ES, FI, FR, GB, GR, HR, HU, IE, IS, IT, LT, LU, LV, MC, MK, MT, NL, NO, PL, PT, RO, RS, SE, SI, SK, SM, TR), OAPI (BF, BJ, CF, CG, CI, CM, GA, GN, GQ, GW, KM, ML, MR, NE, SN, TD, TG).

Published: with international search report (Art. 21(3))

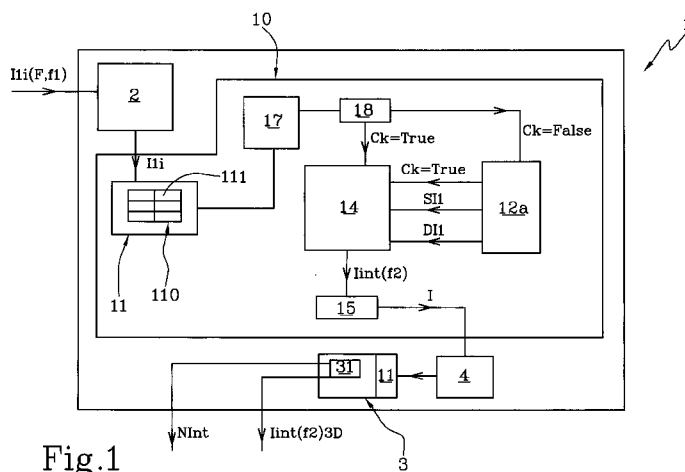
(48) Date of publication of this corrected version: 13 August 2015

(15) Information about Correction: see Notice of 13 August 2015



WO 2015/019368 A8

(54) Title: DEVICE AND METHOD FOR FORMAT CONVERSION OF FILES FOR THREE-DIMENSIONAL VISION



(57) Abstract: The invention describes a device (1) for conversion of formats (f1) of files (F) in a format (f2) for three-dimension (3D) vision, comprising a receiving unit (2) set to receive a plurality of source images (Ii) source in said file (F) in the format (f1), a processing unit (10) comprising, in turn a checking module (17) configured for checking whether the image (I1) is a double right-left channel image, a first processing module (12a) configured to represent a left part of the image (I1) in a left image (S11) and a right image (D11), an interlacing module (14) configured to create an interlaced image (lint) for the image (I1) in which even pixel columns of the interlaced image (lint) are defined as a function of the left image (S11) and odd pixel columns of the interlaced image (lint) are defined as a function of the right image (D11), thereby converting said file (F) in said format (f2) for three- dimension (3D) vision.