



US00D830602S

(12) **United States Design Patent**
Melchior

(10) **Patent No.:** **US D830,602 S**

(45) **Date of Patent:** **** Oct. 9, 2018**

- (54) **LANTERN**
- (71) Applicant: **Decathlon**, Villeneuve d'Ascq (FR)
- (72) Inventor: **Constant Melchior**, Villeneuve d'Ascq (FR)
- (73) Assignee: **Decathlon**, Villeneuve d'Ascq (FR)
- (**) Term: **15 Years**

D560,008 S *	1/2008	Poon	D26/39
D577,842 S *	9/2008	Kumthampinij	D26/39
D642,714 S *	8/2011	Chuah	D26/60
D651,732 S *	1/2012	Hopkins	D26/39
D658,323 S *	4/2012	Freschl	D26/39
D693,040 S *	11/2013	Svensson	D26/39
D707,867 S *	6/2014	Kotsis	D26/39
D743,596 S *	11/2015	Ormsbee	D26/39
D788,337 S *	5/2017	Koshiba	D26/39
D802,189 S *	11/2017	Windom	D26/39

* cited by examiner

- (21) Appl. No.: **29/592,118**
- (22) Filed: **Jan. 26, 2017**

Primary Examiner — Lakiya G Rogers
Assistant Examiner — Carissa C Fitts
 (74) *Attorney, Agent, or Firm* — Charles TJ Weigell, Esq.; Fross Zelnick Lehrman & Zissu, P.C.

(30) **Foreign Application Priority Data**

Aug. 1, 2016 (EM) 003326313-0002

- (51) **LOC (11) CL.** **26-02**
- (52) **U.S. CL.**

USPC **D26/39**

(58) **Field of Classification Search**

USPC D26/37-50

CPC F21L 2003/00; F21L 4/00; F21L 4/005;
 F21L 4/02; F21L 4/025; F21L 4/027;
 F21L 4/04; F21L 4/08; F21L 2005/00;
 F21L 7/00; F21L 11/00; F21L 13/00;
 F21L 13/04; F21L 13/08; F21L 14/02;
 F21L 17/00; F21L 19/00

See application file for complete search history.

(56) **References Cited**

U.S. PATENT DOCUMENTS

D527,127 S *	8/2006	Petzl	D26/39
D552,278 S *	10/2007	Spartano	D26/39

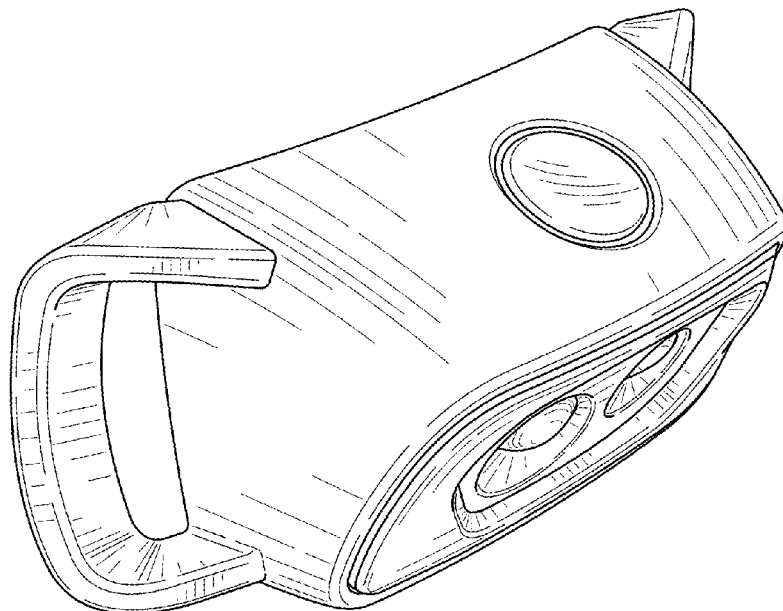
(57) **CLAIM**

The ornamental design for a lantern, as shown and described.

DESCRIPTION

FIG. 1 is a perspective view showing my new design;
 FIG. 2 is a front view thereof, showing the lenses, handle and button of the lantern;
 FIG. 3 is a rear view thereof;
 FIG. 4 is left side view thereof;
 FIG. 5 is a right side view thereof;
 FIG. 6 is a top side view thereof; and,
 FIG. 7 is a bottom side view thereof.

1 Claim, 4 Drawing Sheets



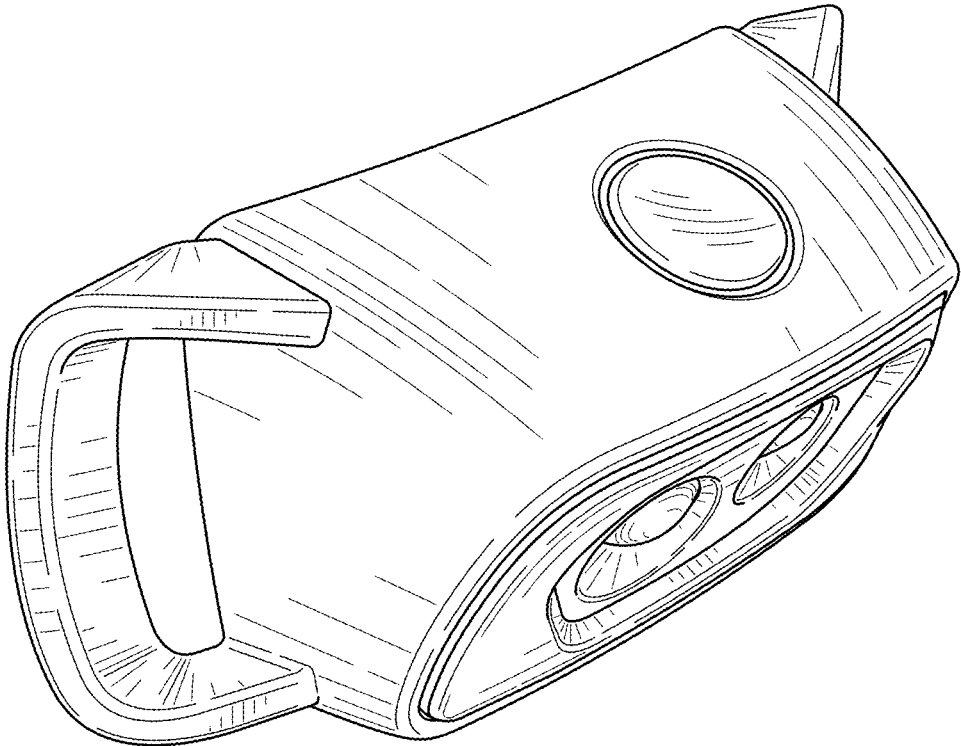


FIG. 1

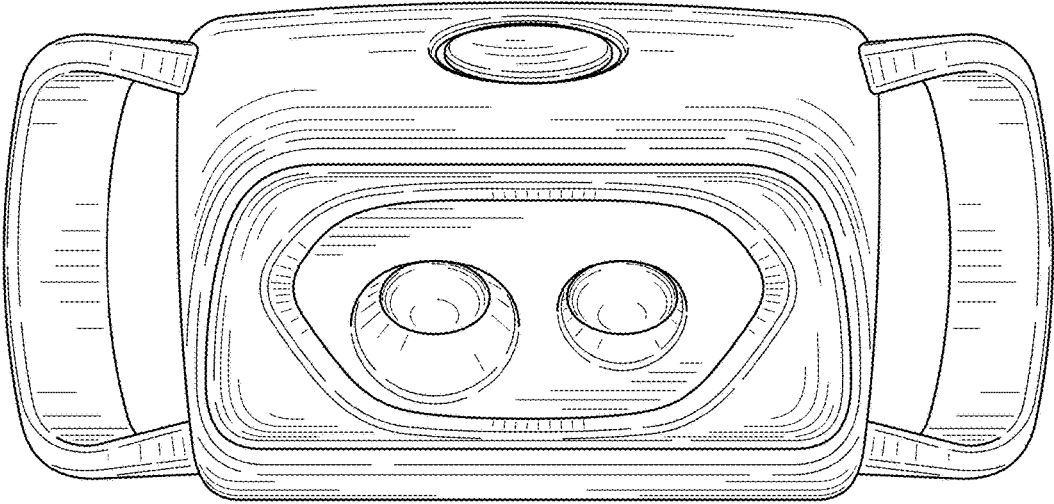


FIG. 2

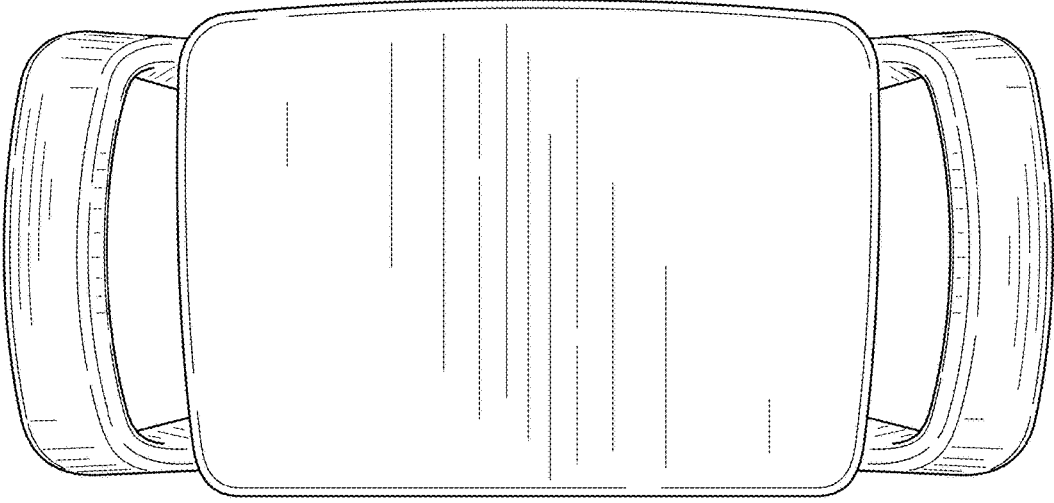


FIG. 3

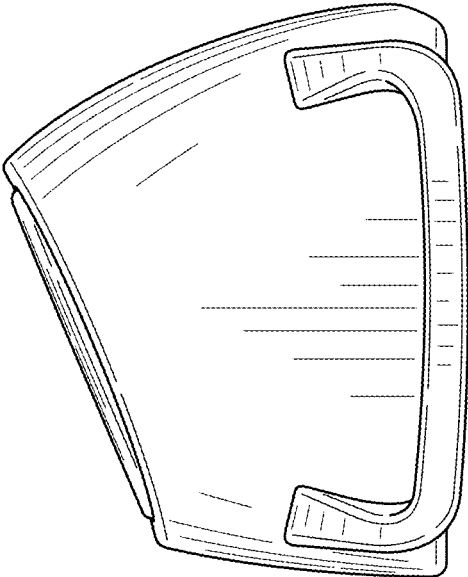


FIG. 4

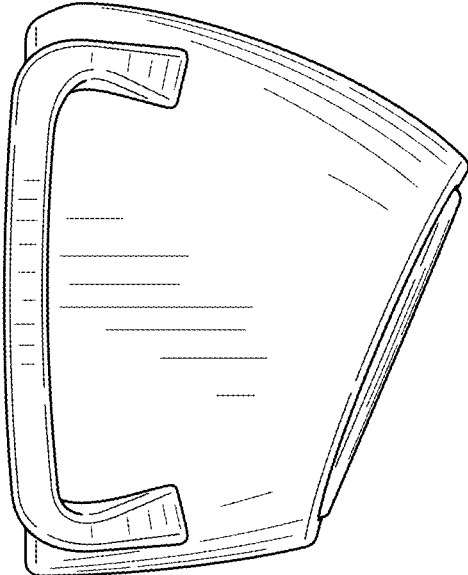


FIG. 5

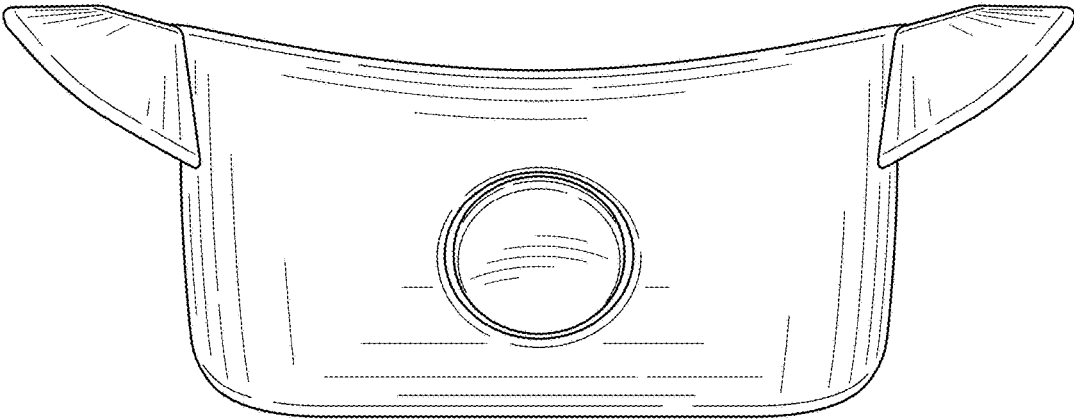


FIG. 6

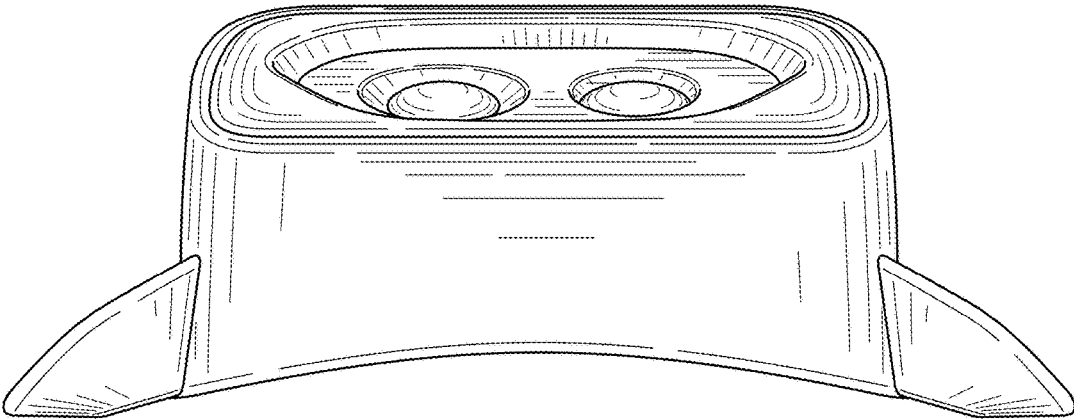


FIG. 7