



US00D715472S

(12) **United States Design Patent**
Hildebrand et al.

(10) **Patent No.:** **US D715,472 S**

(45) **Date of Patent:** **** Oct. 14, 2014**

(54) **REAR LAMP**

(71) Applicant: **Qoros Automotive Co., Ltd.**, Changshu (CN)

(72) Inventors: **Gert Volker Hildebrand**, Munich (DE);
Philipp Eberl, Graz (AT)

(73) Assignee: **Qoros Automotive Co., Ltd.**, Changshu, Jiangsu Province (CN)

(**) Term: **14 Years**

(21) Appl. No.: **29/459,322**

(22) Filed: **Jun. 28, 2013**

(30) **Foreign Application Priority Data**

Jan. 7, 2013 (CN) 2013 3 0003357

(51) **LOC (10) Cl.** **26-06**

(52) **U.S. Cl.**
USPC **D26/28**

(58) **Field of Classification Search**
USPC D26/28-36; 362/459-468, 475-478,
362/485-487

See application file for complete search history.

(56) **References Cited**

U.S. PATENT DOCUMENTS

D550,380 S *	9/2007	Lin	D26/28
D560,292 S *	1/2008	Sato	D26/28
D561,357 S *	2/2008	Leclercq	D26/28
D565,211 S *	3/2008	Haller et al.	D26/28
D570,015 S *	5/2008	Hsu	D26/28
D574,524 S *	8/2008	Tomatsu	D26/28
D602,616 S *	10/2009	Okamura et al.	D26/28

* cited by examiner

Primary Examiner — Marcus Jackson

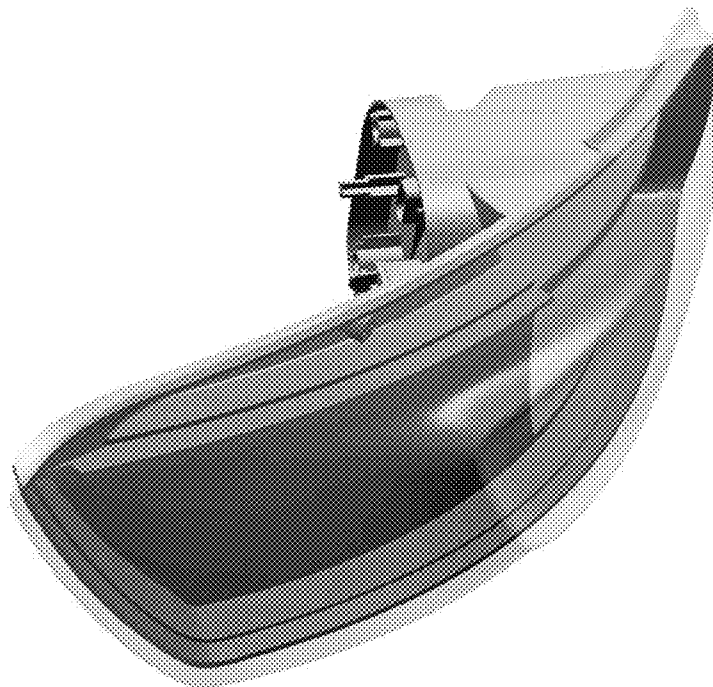
(57) **CLAIM**

The ornamental design for a rear lamp, as shown and described.

DESCRIPTION

FIG. 1 is a front view of a rear lamp.
FIG. 2 is a rear view of the rear lamp of FIG. 1.
FIG. 3 is a left side view of the rear lamp of FIG. 1.
FIG. 4 is a right side view of the rear lamp of FIG. 1.
FIG. 5 is a top view of the rear lamp of FIG. 1.
FIG. 6 is a bottom view of the rear lamp of FIG. 1; and,
FIG. 7 is a top left perspective view of the rear lamp of FIG. 1.

1 Claim, 6 Drawing Sheets



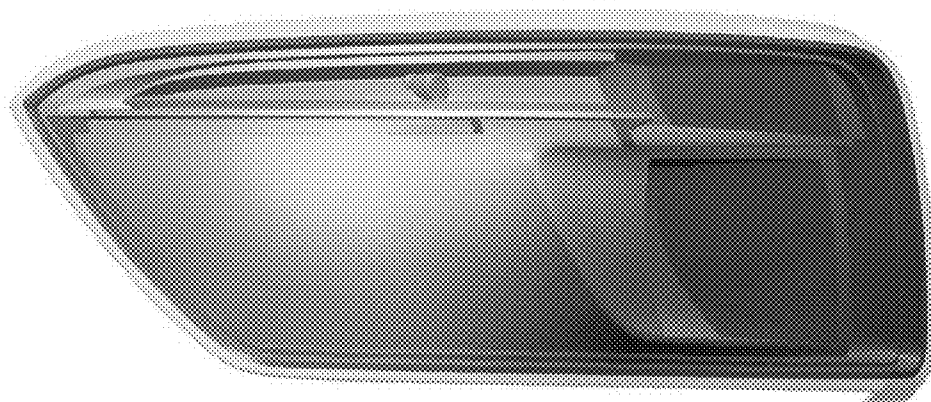


FIG. 1

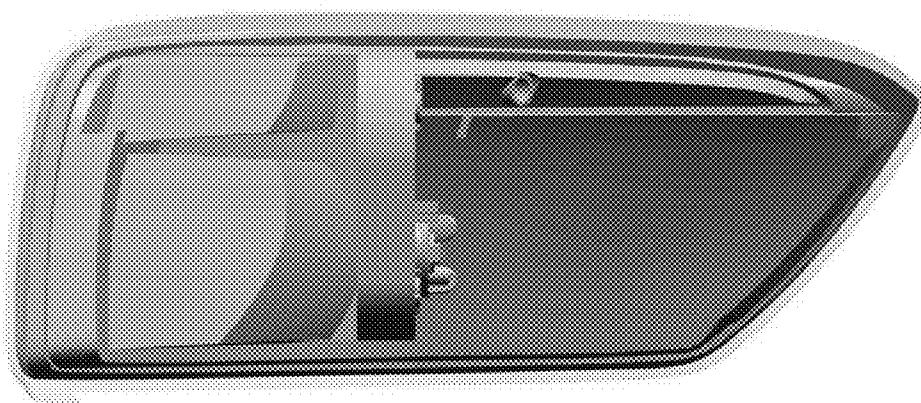


FIG. 2

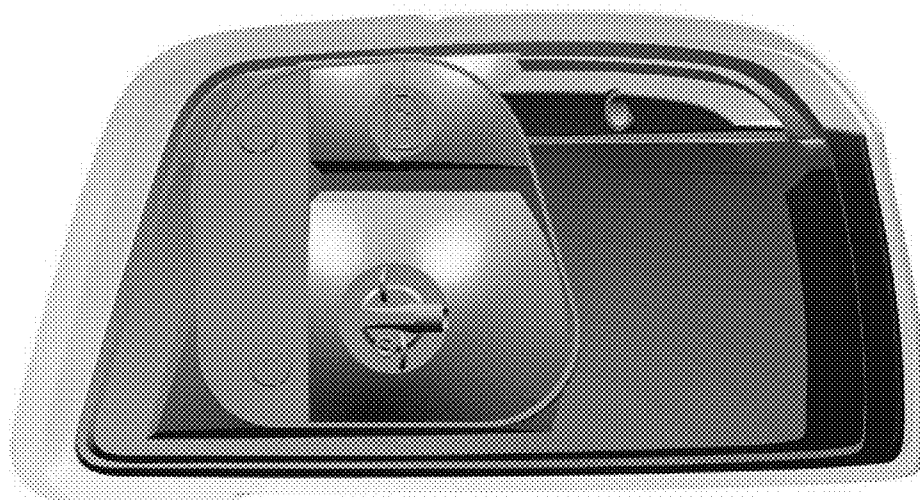


FIG. 3

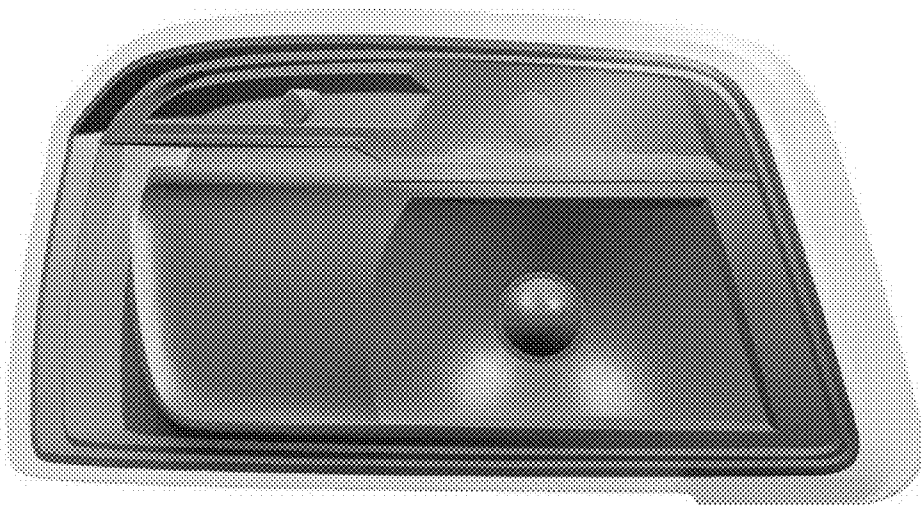


FIG. 4

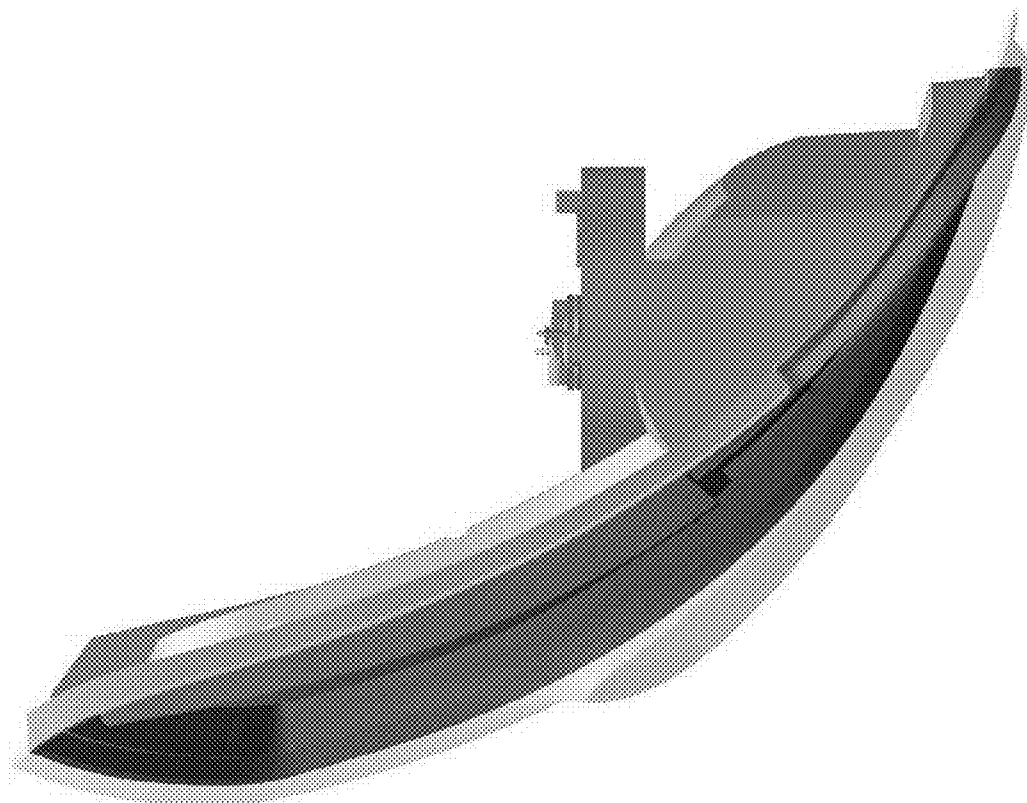


FIG. 5

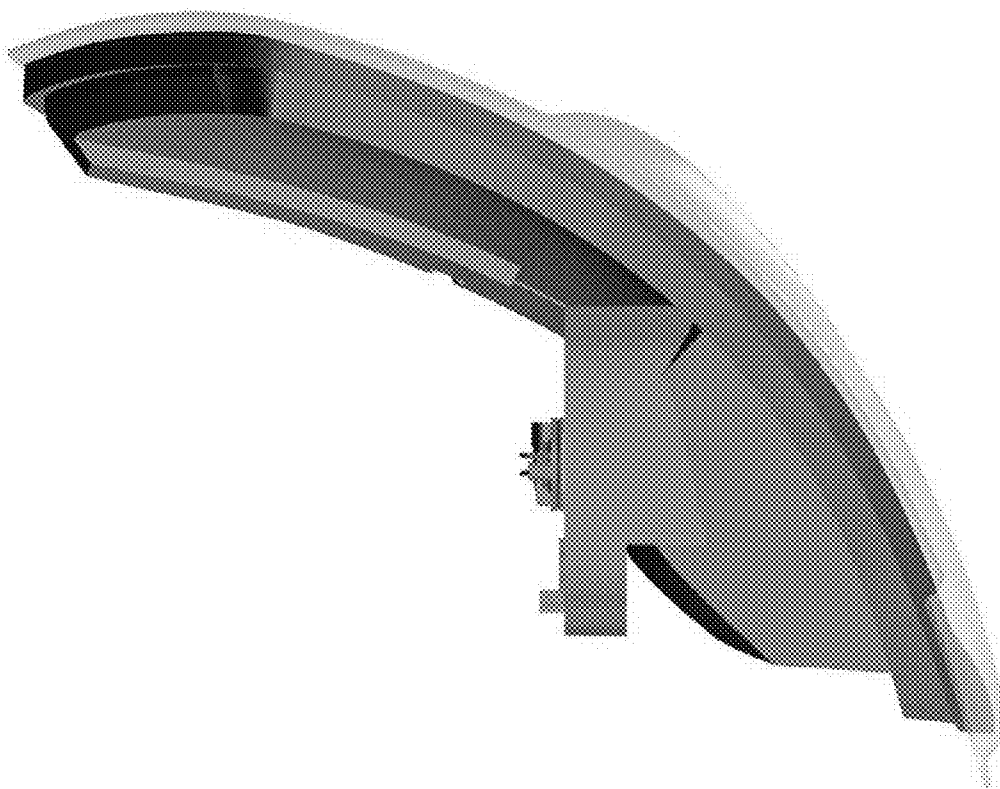


FIG. 6



FIG. 7